

SIGSAUER[®]
when it counts[®]



SSG 3000[™]

OWNERS MANUAL: HANDLING & SAFETY INSTRUCTIONS



**READ THE INSTRUCTIONS AND WARNINGS IN THIS MANUAL CAREFULLY
BEFORE USING THIS FIREARM; DO NOT DISCARD THIS MANUAL.**

This instruction manual should always accompany this firearm and be transferred with it upon ownership, or when the firearm is loaned or presented to another person.

State-By-State Warnings

Certain states require, by law, that their own specified warning notices, in larger-than-normal type be conspicuously included by the manufacturer, distributor, or retail dealer with firearms sold in that state. SIG SAUER® sells its products in compliance with applicable laws and regulations. Because our products may be sold in these states, we include the following:

CALIFORNIA: WARNING

"Children are attracted to and can operate firearms that can cause severe injuries or death. Prevent child access by always keeping guns locked away and unloaded when not in use. If you keep a loaded firearm where a child obtains and improperly uses it, you may be fined or sent to prison."

ADVERTENCIA

"A los niños atraen las armas de fuego y las pueden hacer funcionar. Ellos pueden causarse lesiones graves y la muerte. Evite que los niños tengan acceso a las armas de fuego guardándolas siempre con llave y descargadas cuando no las esté utilizando. Si usted tiene una arma de fuego cargada en un lugar en que un niño tiene acceso a ella y la usa indebidamente, le pueden dar una multa o enviarlo a la cárcel."

CONNECTICUT:

"UNLAWFUL STORAGE OF A LOADED FIREARM MAY RESULT IN IMPRISONMENT OR FINE."

FLORIDA:

"IT IS UNLAWFUL, AND PUNISHABLE BY IMPRISONMENT AND FINE, FOR ANY ADULT TO STORE OR LEAVE A FIREARM IN ANY PLACE WITHIN THE REACH OR EASY ACCESS OF A MINOR UNDER 18 YEARS OF AGE OR TO KNOWINGLY SELL OR OTHERWISE TRANSFER OWNERSHIP OR POSSESSION OF A FIREARM TO A MINOR OR A PERSON OF UNSOUND MIND."

MAINE:

"ENDANGERING THE WELFARE OF A CHILD IS A CRIME. IF YOU LEAVE A FIREARM AND AMMUNITION WITHIN EASY ACCESS OF A CHILD, YOU MAY BE SUBJECT TO FINE, IMPRISONMENT OR BOTH. KEEP FIREARMS AND AMMUNITION SEPARATE. KEEP FIREARMS AND AMMUNITION LOCKED UP. USE TRIGGER LOCKS."

MARYLAND:

"WARNING: Children can operate firearms which may cause death or serious injury. It is a crime to store or leave a loaded firearm in any location where an individual knew or should have known that an unsupervised minor would gain access to the firearm. Store your firearm responsibly!"

MASSACHUSETTS:

"WARNING FROM THE MASSACHUSETTS ATTORNEY GENERAL: This Rifle is not equipped with a device that fully blocks use by unauthorized users. More than 200,000 firearms like this one are stolen from their owners every year in the United States. In addition, there are more than a thousand suicides each year by younger children and teenagers who get access to firearms. Hundreds more die from accidental discharge. It is likely that many more children sustain serious wounds, or inflict such wounds accidentally on others. In order to limit the chance of such misuse, it is imperative that you keep this weapon locked in a secure place and take other steps necessary to limit the possibility of theft or accident. Failure to take reasonable preventative steps may result in innocent lives being lost, and in some circumstances may result in your liability for these deaths."

"IT IS UNLAWFUL TO STORE OR KEEP A FIREARM, RIFLE, SHOTGUN OR MACHINE GUN IN ANY PLACE UNLESS THAT WEAPON IS EQUIPPED WITH A TAMPER RESISTANT SAFETY DEVICE OR IS STORED OR KEPT IN A SECURELY LOCKED CONTAINER."

NEW JERSEY:

“IT IS A CRIMINAL OFFENSE TO LEAVE A LOADED FIREARM WITHIN EASY ACCESS OF A MINOR.”

NEW YORK CITY, NY:

“THE USE OF A LOCKING DEVICE OR SAFETY LOCK IS ONLY ONE ASPECT OF RESPONSIBLE FIREARMS STORAGE. FOR INCREASED SAFETY, FIREARMS SHOULD BE STORED UNLOADED AND LOCKED IN A LOCATION THAT IS BOTH SEPARATE FROM THEIR AMMUNITION AND INACCESSIBLE TO CHILDREN AND OTHER UNAUTHORIZED PERSONS.”

NORTH CAROLINA:

Any person who resides in the same premises as a minor, owns or possesses a firearm, and stores or leaves the firearm (i) in a condition that the firearm can be discharged and (ii) in a manner that the person knew or should have known that an unsupervised minor would be able to gain access to the firearm, is guilty of a Class 1 misdemeanor if a minor gains access to the firearm without the lawful permission of the minor’s parents or a person having charge of the minor and the minor:

- (1) Possesses it in violation of G.S. 14-269.2(b)
- (2) Exhibits it in a public place in a careless, angry, or threatening manner;
- (3) Causes personal injury or death with it not in self defense; or
- (4) Uses it in the commission of a crime.

TEXAS:

"IT IS UNLAWFUL TO STORE, TRANSPORT, OR ABANDON AN UNSECURED FIREARM IN A PLACE WHERE CHILDREN ARE LIKELY TO BE AND CAN OBTAIN ACCESS TO THE FIREARM."

WISCONSIN:

"IF YOU LEAVE A LOADED FIREARM WITHIN THE REACH OR EASY ACCESS OF A CHILD YOU MAY BE FINED OR IMPRISONED OR BOTH IF THE CHILD IMPROPERLY DISCHARGES, POSSESSES, OR EXHIBITS THE FIREARM."

Please check with your licensed retailer, state police, or local police for additional warnings, which may be required by local law or regulation. Such regulations change constantly, and local authorities are in the best position to advise you on such legal matters.

 WARNING – LOCKING DEVICES

This firearm was originally sold with a key- operated locking device. While it can help provide secure storage for your unloaded firearm, any locking device can fail. All Rifles are designed to fire if they are loaded and the trigger is pulled. Therefore, never install the locking device inside the trigger guard or in any way that makes it possible to pull the trigger! Do not leave the keys in the lock.

The ultimate responsibility for secure storage of any firearm must depend upon its owner and his or her individual circumstances. Firearms should be stored unloaded, in a secure location, separate from their ammunition.

NEVER INSTALL THE LOCKING DEVICE INSIDE THE TRIGGER GUARD

To maximize effectiveness and reduce the chances of malfunction or damage to a firearm, ALWAYS refer to the locking device's manufacturer directions for installation and removal of the device.

FIREARMS SAFETY IS YOUR RESPONSIBILITY

This owner's manual is designed to assist you in learning how to use and care for your SIG SAUER® pistol properly.

Only when you are certain that you fully understand this manual and can properly carry out its instructions, should you practice loading and firing your firearm with live ammunition. Having a Rifle in your possession is a full-time job; you cannot guess and you cannot forget. You must know how to use your firearm safely.

If you have any doubts about your ability to handle or use this firearm safely, you should seek supervised instruction. The SIG SAUER AcademySM provides all levels of firearms safety and skill training, from beginner to expert. For more information contact:



www.sigsaueracademy.com • (603) 610-3400

Main campus: Epping, New Hampshire
Satellite Facilities: Range 82, Midland, VA
NRA Whittington Center, Raton, NM

SAFETY MUST BE THE FIRST AND CONSTANT CONSIDERATION OF EVERY PERSON WHO HANDLES FIREARMS AND AMMUNITION.

For more information about safety, responsible firearms ownership, and shooting sports, contact:
National Rifle Association (NRA) of America, 11250 Waples Mill Road, Fairfax, VA 22030-7400
1-800-672-3888 • www.nra.com

TABLE OF CONTENTS

Topic	Page
State-By-State Warnings	2-5
Locking Devices	6
General Safety Information and Mechanical Characteristics	14
1.0 Safety Information	14
Basic Rules of Safe Firearms Handling	15
1.1 Protect Your Eyes and Ears	16
1.2 Ammunition	16
2.0 Main features	21
3.0 Main Rifle components	22
4.0 Technical specifications	23
5.0 Handling the Rifle	24
5.1 Preparing the Rifle	24
5.2 Loading the Rifle (ready to fire)	27
5.3 Discharging a shot	28
5.4 Reloading during shooting	30

Topic	Page
5.5 Unloading the Rifle	31
5.6 Bolt	33
5.6.1 Cocking the bolt	33
5.6.2 Removing the bolt	34
5.6.3 Inserting the bolt	35
5.6.4 Uncock the firing pin	36
5.7 Magazine	37
5.7.1 Removing the magazine	37
5.7.2 Inserting the magazine	38
5.7.3 Loading the magazine	38
5.8 Trigger	39
5.8.1 Setting the take-up	40
5.8.2 Setting the trigger position	41
5.8.3 Setting the let-off point	42
6.0 Safety lock	42
6.1 Safety OFF	42
6.2 Lock	43

Topic	Page
7.0 Stock	44
7.1 Removing the cheekpiece	44
7.2 Installing the cheekrest	45
7.3 Stock adjustment options	45
7.3.1 Adjusting cheekpiece height	45
7.3.2 Adjust buttpad length	46
8.0 Dismantling	47
8.1 Removing the stock	47
8.2 Removing the carrying sling	48
8.3 Removing the barrel	48
9.0 Assembly	49
9.1 Fitting the barrel	49
9.2 Installing the stock	50
9.3 Fitting the carrying sling	51
10.0 .22 LR Caliber conversion (optional)	52

Topic	Page
11.0 Accessories	54
11.1 Installation of optional accessories on the mounting rail	54
11.2 Installing the mirage band	55
11.3 Removing the mirage band	55
12.0 Care	56
12.1 General remarks	56
12.2 Cleaning the barrel	57
12.3 External metal surfaces	58
13.0 Trouble Shooting	60
13.1 Cause and correction of malfunctions	60
14.0 SSG 3000 Parts List & Diagram	62
15.0 Parts List & Diagram for training system .22LR (optional)	64
16.0 Transportation and Storage	65
17.0 Services and Replacement Parts Policy	66
18.0 Shipping Firearms for Repair	68
SIG SAUER® Limited Lifetime Firearms Warranty	70

WARNINGS OF GREAT IMPORTANCE ARE FOUND WITHIN THIS MANUAL

Locking Devices	6	Loading	44
Alterations	13	Firing	27, 28
Manual Safety	14	Storage	65
Ammunition	17, 20, 25	Parts Purchasers	67
Lead Exposure	20	Shipping	69

OTHER CAUTIONS AND WARNINGS APPEAR THROUGHOUT THE MANUAL

FIREARMS ARE DANGEROUS WEAPONS

**READ THE INSTRUCTIONS AND WARNINGS IN THIS MANUAL
THOROUGHLY AND CAREFULLY BEFORE USING.**

⚠ WARNING – ALTERATIONS

This product was designed to function properly in its original condition. Alterations can make it unsafe. Do not alter any part or add or substitute any parts or accessories not manufactured by SIG SAUER Inc. to be compatible with this firearm.

DO NOT ALTER ANY RIFLE

GENERAL SAFETY INFORMATION AND MECHANICAL CHARACTERISTICS

1.0 Safety Information

The safety warnings in this manual are important. By understanding the dangers inherent in the use of any firearm, and by taking the precautions described herein, you can enjoy complete safety in the use of your Rifle. Failure to heed any of these warnings may result in serious injury to you or others, as well as severe damage to the firearm or other property. SIG SAUER Inc. shall not be responsible in any manner whatsoever for malfunctioning of the firearm, physical injury or property damage resulting in whole or in part from:

- 1) criminal or negligent discharge;
- 2) improper or careless handling;
- 3) unauthorized modifications;
- 4) defective, improper, hand-loaded, or reloaded ammunition;
- 5) corrosion;
- 6) neglect; or
- 7) other influences beyond our direct and immediate control.

This limitation applies regardless of whether liability is asserted on the basis of contract, negligence, or strict liability (including any failure to warn). Under no circumstance shall SIG SAUER Inc. be liable for incidental or consequential damages, such as loss of use of property, commercial loss, and loss of earnings or profits.

THE BASIC RULES OF SAFE FIREARMS HANDLING

1. ALWAYS treat every Rifle as if it were loaded.
2. ALWAYS be sure the barrel is clear of any obstruction.
3. ALWAYS be sure of your backstop, what lies beyond, and the safety of bystanders before you shoot.
4. ALWAYS use clean, dry, original factory-made ammunition of the proper type and caliber for your Rifle.
5. ALWAYS wear ear protection and safety glasses when shooting.
6. ALWAYS carry your Rifle so that you can control the direction of the muzzle if you fall or stumble.
7. NEVER shoot at a flat surface or water.
8. DO NOT leave an unattended Rifle loaded. Rifles and ammunition should be stored separately, locked if possible, beyond the reach of children, careless adults, and unauthorized users.
9. NEVER allow your firearm to be used by anyone who has not read and understood this operator's manual.
10. DO NOT point any Rifle, loaded or unloaded, at any undesired target.
11. NEVER fire your Rifle near an animal unless it is trained to accept the noise: an animal's startled reaction could injure it or cause an accident.
12. NEVER drink alcoholic beverages or take drugs before or during shooting, as your vision and judgment could be seriously impaired, making your Rifle handling unsafe.

1.1 Protect Your Eyes And Ears

Always wear safety glasses and ear plugs or “ earmuff ” type protectors whenever you are shooting. Always make certain that persons close to you are similarly protected. Unprotected eyes may be injured by powder, gas, carbon residue, lubricant, metallic particles, or similar debris which may emanate occasionally from any firearm in normal use. Without ear protection, repeated exposure to shooting noise may lead to cumulative, permanent hearing loss.

1.2. Ammunition

1. Use only high quality, original, factory-manufactured ammunition. Do not use cartridges that are dirty, wet, corroded, bent, or damaged. Do not oil cartridges. Do not spray aerosol-type lubricants, preservative, or cleaners directly onto cartridges or where excess spray may flow into contact with cartridges. Lubricant or other foreign matter on cartridges can cause potentially dangerous ammunition malfunctions. Use only ammunition of the caliber for which your firearm is chambered. The proper caliber is permanently engraved on your firearm; never attempt to use ammunition of any other caliber.

2. The use of reloaded, “remanufactured” hand-loaded, or other non-standard ammunition voids all warranties. Reloading is a science and improperly loaded ammunition can be extremely dangerous. Severe damage to the firearm and serious injury to the shooter or to others may result. Always use ammunition that complies with the industry performance standards established by the Sporting Arms and Ammunition Manufacturers’ Institute, Inc. of the United States (SAAMI) or ammunition manufactured to military specifications.

⚠ WARNING – AMMUNITION (CARTRIDGE) NOTICE

SIG SAUER Inc. SPECIFICALLY DISCLAIMS RESPONSIBILITY FOR ANY DAMAGE OR INJURY WHATSOEVER OCCURRING IN CONNECTION WITH, OR AS A RESULT OF, THE USE IN ANY SIG SAUER FIREARM OF FAULTY, NON-STANDARD, "REMANUFACTURED" HAND LOADED (RELOADED) AMMUNITION, OR CARTRIDGES OTHER THAN THOSE FOR WHICH THE FIREARM WAS ORIGINALLY CHAMBERED.

3. Firearms may be severely damaged and serious injury to the shooter or to others may result from any condition causing excessive pressure inside the chamber or barrel during firing. Excessive pressure can be caused by obstructions in the barrel, propellant powder overloads, the use of incorrect cartridges or defectively assembled cartridges. In addition, the use of a dirty, corroded, or damaged cartridge can lead to a burst cartridge case and consequent damage to the firearm and personal injury from the sudden escape of high-pressure propellant gas within the firearm's mechanism.
4. Immediately stop shooting and check the barrel for a possible obstruction whenever:
 - You have difficulty in, or feel unusual resistance in, chambering a cartridge;
 - A cartridge misfires (does not go off);
 - The mechanism fails to extract a fired cartridge case;
 - Unburned grains of propellant powder are discovered spilled in the mechanism;
 - A shot sounds weak or abnormal. In such cases it is possible that a bullet is lodged part way down the barrel.
 - Firing a subsequent bullet into the obstructed barrel can wreck the firearm and cause serious injury to the shooter or to bystanders.

5. Bullets can become lodged in the barrel:

- If the cartridge has been improperly loaded without propellant powder, or if the powder fails to ignite (ignition of the cartridge primer alone will push the bullet out of the cartridge case, but usually does not generate sufficient energy to expel the bullet completely from the barrel);
- If the bullet is not properly seated in the cartridge case. When such a cartridge is extracted from the chamber without being fired, the bullet may be left behind in the bore at the point where the rifling begins. Subsequent chambering of another cartridge may push the first bullet further into the bore.

6. If there is any reason to suspect that a bullet is obstructing the barrel, immediately unload the firearm and look through the bore. It is not sufficient to merely look in the chamber. A bullet may be lodged some distance down the barrel where it cannot easily be seen.

IF A BULLET IS IN THE BORE, DO NOT ATTEMPT TO SHOOT IT OUT BY USING ANOTHER CARTRIDGE OR BY BLOWING IT OUT WITH A BLANK OR ONE FROM WHICH THE BULLET HAS BEEN REMOVED. SUCH TECHNIQUES CAN GENERATE EXCESSIVE PRESSURE, WRECK THE FIREARM, AND CAUSE SERIOUS PERSONAL INJURY.

If the bullet can be removed with a cleaning rod, clean any unburned powder grains from the bore, chamber, and mechanism before resuming shooting. If the bullet cannot be dislodged by tapping it with a cleaning rod, take the firearm to a gunsmith.

7. Dirt, corrosion, or other foreign matter on a cartridge can impede complete chambering and may cause the cartridge case to burst upon firing. The same is true of cartridges which are damaged or deformed.

8. Do not oil cartridges, and be sure to wipe the chamber clean of any oil or preservative before commencing to shoot. Oil interferes with the friction between cartridge case and chamber wall that is necessary for safe functioning, and subjects the firearm to stress similar to that imposed by excessive pressure.

9. Use lubricants sparingly on the moving parts of your firearm. Avoid excessive spraying of any aerosol gun care product, especially where it may get on ammunition. All lubricants and aerosol spray lubricants in particular can penetrate cartridge primers and cause misfires. Some highly penetrative lubricants can also migrate inside cartridge cases and cause deterioration of the propellant powder; on firing, the powder may not ignite. If only the primer ignites, there is danger that the bullet may become lodged in the barrel.

⚠ WARNING – AMMUNITION



Death, serious injury, and damage can result from the use of wrong ammunition, bore obstructions, powder overloads, or incorrect cartridge components. Always wear shooting glasses and hearing protectors.

IMPROPER AMMUNITION DESTROYS RIFLES

⚠ WARNING – LEAD EXPOSURE



Discharging firearms in poorly ventilated areas, cleaning firearms, or handling ammunition may result in exposure to lead and other substances known to the state of California to cause birth defects, reproductive harm, and other serious physical injury. Maintain adequate ventilation at all times. Wash hands thoroughly after exposure.

SHOOTING OR CLEANING RIFLES MAY EXPOSE YOU TO LEAD

2.0 Main features

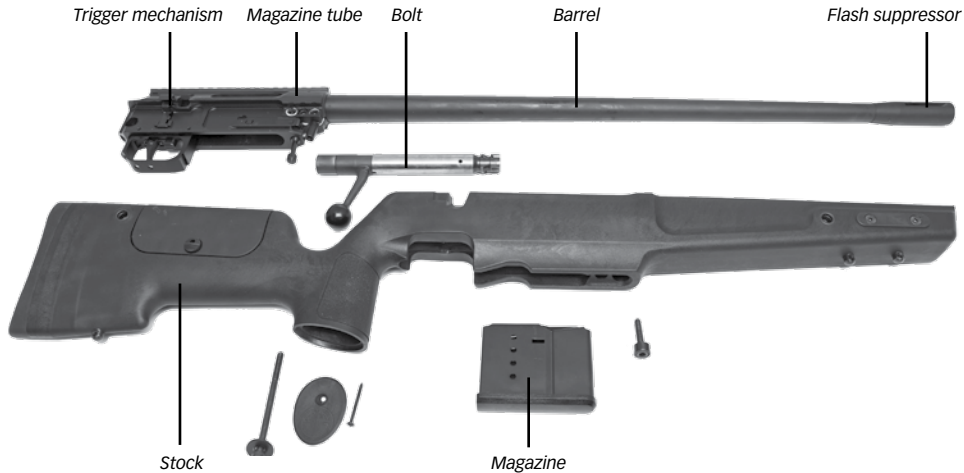
The SAUER SSG 3000™ precision Rifle is a manual type repeating Rifle developed to meet the specific requirements of law-enforcement and military sharp-shooters.

The modular design concept allows primary components such as the receiver, barrel, trigger system, stocks and bolt to be rapidly and readily exchanged. Consequently, maintenance logistics are both simple and efficient.

The SSG 3000 is an easily handled repeating Rifle featuring a double stage trigger pattern. Integrated mounts permit immediate and secure fitting of a wide variety of sighting equipment.



3.0 Main Rifle components



4.0 Technical specifications

Bolt type	Direct lug locking in the barrel
Caliber	7.62 mm x 51 NATO (.308 Win.)
Length, overall	46.46" / 1180 mm
Height, excl. scope	7.48" / 190 mm
Rifling twist	1:12" / 305 mm
Width	3.74" / 95 mm
Barrel length, excl. flash suppressor	23.50" / 600 mm
No. of grooves	4
Weight incl. magazine, excl. scope	11.24 lbs / 5.1 kg
Trigger pull weights	Double stage: N approx. 13 - 17 (variable)
Magazine content	5 rounds
Muzzle velocity*	800 - 830 m/s
Muzzle velocity*	3.500 - 3.750 joules

*Specifications subject to change without notice.

5.0 Handling the Rifle

5.1 Preparing the Rifle

Note: The Rifle is supplied with a protective and preserving oil and grease coating, and excessive protective oil and grease must be removed prior to initial firing.

The SSG 3000™ and its accessories are packed in a rugged carrying case to protect them against impact.

WARNING

Undefined condition of the Rifle may lead to death or severe injuries.

**IF THE SHOOTER TAKES POSSESSION OF THE RIFLE IN ANY OTHER
CONDITION IT MUST BE TREATED AS LOADED AND UNLOCKED.**

Procedure:

1. Unload the Rifle (see section 5.5).
2. Remove the bolt (see section 5.6.2).
3. Check whether ammunition is still in the barrel chamber or in the magazine.
4. Clean the barrel (see section 12.2).
5. Clean external metal surfaces (see section 12.0).

⚠ WARNING – AMMUNITION**Incorrect ammunition may lead to death or severe injuries and damage to the Rifle.**

- Only fire commercially available ammunition in the original packaging and of the correct caliber from this Rifle.
- Never use recharged, “reconditioned”, handcharged or non-standard ammunition in your Rifle.
- Never use dirty, wet, corroded, bent, damaged or oiled ammunition.
- Never spray lubricants, preservatives or cleaning agents directly onto the rounds.
- Never leave the ammunition lying around unattended.

⚠ WARNING

Insufficient awareness of the dangers may lead to death or severe injuries.

- Never load or unload the Rifle inside a vehicle, inside a building or any other confined space (except in a designated firing range).
- Before loading, always wipe off any excess grease and oil and check that there is no obstruction in the bore of the barrel.
- Always keep the muzzle of the Rifle pointed in a safe direction.
- Do not place the finger onto the trigger, but outside the trigger guard.
- Do not load the Rifle by inserting the magazine until immediately before shooting.
- Never rely on safety mechanisms. They are never a substitute for careful and correct handling of the Rifle.
- Never let a loaded Rifle out of your hands.

5.2 Loading the Rifle (ready to fire)

Procedure:

1. Lock the Rifle (see section 6.2).
2. Insert the bolt (see section 5.6.3).
3. Unlock the Rifle (see section 6.1).
4. Open the bolt and pull it back to the stop.
5. Fill the magazine (see section 5.7.3).

Note: If the full load capacity of the Rifle is to be used, chamber a round and close the bolt prior to inserting the magazine. Only now insert a full magazine.

6. Insert the magazine (see section 5.7.2).
7. Push the bolt forward and lock.
8. Lock the Rifle (see section 6.2). The Rifle is loaded and ready to fire.

⚠ WARNING – FIRING



Keep face and hands away from bolt while firing. Hot brass when ejected can burn you. The Rifle should be fired from the shoulder. Always wear shooting glasses and hearing protection.

5.3 Discharging a shot

⚠ WARNING

Insufficient awareness of the dangers may lead to death or severe injuries.

- Ensure that the target and the environment allow shots to be fired without danger.
- When discharging shots, ensure that your hands or any other parts of the body are not located in front of, over or adjacent to the barrel muzzle or the ejection port.
- Never allow other persons to stand beside you where they might be struck by ejected cartridge cases.
- Always wear ear protection and safety glasses when shooting. Alert bystanders to the importance of wearing ear protection.
- Immediately stop shooting and unload the Rifle if you suspect that a round has not been chambered properly, a case is jammed, a bullet is lodged in the bore or a discharge sounded or felt weak or abnormal.
- Never attempt to dislodge a blockage in the barrel by firing another round.

Procedure:

- 1. Aim the Rifle at a safe target.**
2. Unlock the Rifle (see section 6.1).
3. Place finger on trigger and pull back the trigger to discharge the shot.
4. Keep the Rifle aimed at the target and repeat and fire further shots as required.
5. If the magazine is empty, reload the Rifle (see section 5.4).
6. Lock and unload (see section 5.5).

⚠ WARNING

Rifle is ready to fire and may lead to death or severe injuries. If you decide to end the shooting session, immediately unload the Rifle.

5.4 Reloading during shooting

WARNING

Rifle is ready to fire and may lead to death or severe injuries.

- Never let the Rifle out of your hands.
- Keep the Rifle pointed at the safe target.

Procedure:

1. Lock the Rifle (see section 6.2).
2. Remove the empty magazine (see section 5.7.1).
3. Unlock the Rifle (see section 6.1).
4. Open the bolt and pull it back to the stop.
5. Fill the magazine (see section 5.7.3).
6. Insert full magazine and check engagement (see section 5.7.2).
7. Push the bolt forward and lock.
8. Lock the Rifle (see section 6.2). The Rifle is loaded and ready to fire.
9. Engage the safety.

5.6 Unloading the Rifle

⚠ WARNING

Rifle is ready to fire and may lead to death or severe injuries.

- Never let the Rifle out of your hands before it is unloaded.
- The Rifle is loaded, a round is located in the chamber of the barrel.
- Never place your hand over the ejection port of the bolt.

Procedure:

1. Lock the Rifle (see section 6.2).
2. Aim the Rifle at a stop-butt.
3. Remove the magazine (see section 5.7.1).
4. Unlock the Rifle (see section 6.1).
5. Open the bolt.
 - The cartridge or cartridge case is pulled out of the barrel chamber and ejected.
6. Check that the round has been ejected and there are no more rounds in the barrel chamber.
7. Empty magazine.
8. Pick up ejected round and clean the Rifle.

THE RIFLE IS UNLOADED.

⚠ WARNING

Rifle has not been cleaned sufficiently May lead to death or severe injuries and damage to the Rifle. The Rifle must be cleaned after every shooting session (see section 12.2).

5.6 Bolt

5.6.1 Cocking the bolt

Before the bolt 100 can be inserted into the Rifle, the firing pin must first be cocked. A cocking indicator displays whether the bolt is cocked or not (red = cocked).

1. Insert the tapered end of the supplied key into the side opening of the lock 113. (Figure 3)
2. Turn the lock towards the cocking wheel until it engages. (Figure 4)



Figure 3, Cocking the bolt

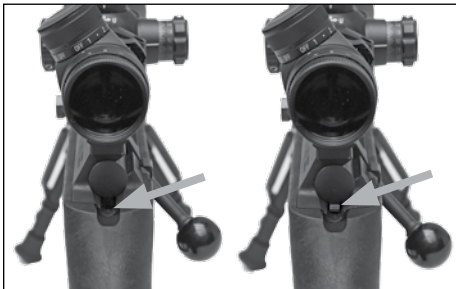
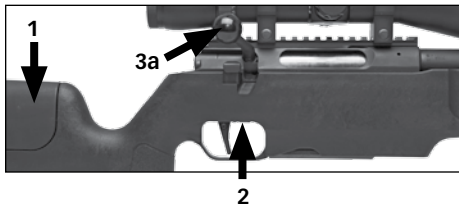


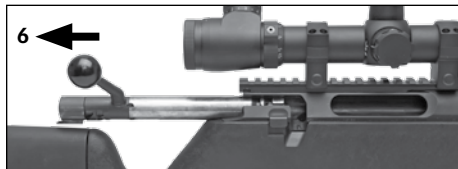
Figure 4, Cocking indicator of the bolt
(left: decocked, right cocked)

5.6.2 Removing the bolt

1. Move the buttstock cheekpiece down as far as possible or remove it (see section 7.1).
2. Release the Rifle safety (see section 6.1).
3. Open the bolt and draw it back approximately half of its travel.



4. Activate the safety catch (see section 6.2).
5. Rotate the bolt to the left (approx. 90°), until the bolt channel becomes visible in the bolt handle guideway.
6. Extract the bolt to the rear.



5.6.3 Inserting the bolt

⚠ WARNING

Uncontrolled discharge of shot May lead to death or severe injuries. The Rifle must be unloaded.

1. Move the cheekpiece down as far as possible or remove it (see section 7.1).
2. Lock the Rifle (see section 6.2).
3. Cock the bolt (see section 5.6.1).

CAUTION! Rifle may be damaged. Never use force when inserting the bolt.

4. Insert the cocked bolt into the receiver by rotating it slightly. The removal position (bolt handle turned to the left by 90°, (see section 5.6.2 steps 5 and 6) is the best position to install the bolt.

CAUTION! Danger of collision of cheekpiece with cocking indicator (if the cheekpiece has not been removed). When sliding in the bolt, the cocking indicator must not face directly downwards.

5. Rotate the bolt until the bolt handle slides into the guideway of the receiver (see section 5.6.2 step 3b.).
6. Slide the bolt up to the front and lock it.
7. Install or adjust the buttstock cheekpiece (see section 7.3).

5.6.4 Uncock the firing pin

⚠ WARNING

Uncontrolled discharge of shot May lead to death or severe injuries. Only uncock the firing pin with the Rifle unloaded and the barrel chamber empty.

1. Unload the Rifle and make sure that there is no round or cartridge case in the barrel chamber or in the magazine (see section 5.5).
2. Pull the trigger and slowly close the bolt with the trigger still pulled.

Note: The cocking indication must not be visible (see Figure 4).

5.7 Magazine

5.7.1 Removing the magazine

1. Hold magazine (600) by hand.

⚠ WARNING

Magazine may fall out Magazine may be damaged. When removing the magazine always keep your hand exactly underneath the magazine.

3. With the index finger of the same hand, depress pressure bolt 311.
4. Remove magazine.
5. Empty magazine.

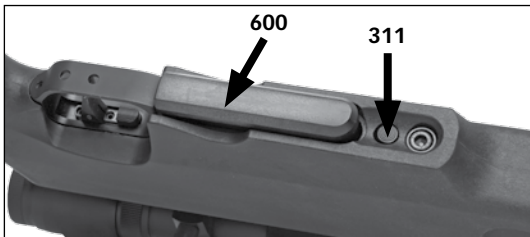


Figure 6

5.7.2 Inserting the magazine

1. Insert the magazine into the magazine well and push it home until the magazine catch 307 audibly engages. Do not jam the magazine.

5.7.3 Loading the magazine

1. Depress magazine feeder 602.
2. Insert the rounds forward and under the magazine lips.

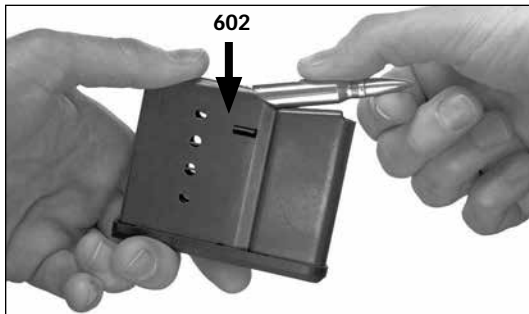


Figure 7

5.8 Trigger

The SSG 3000™ features a trigger with let-off point.

Note: The trigger pull weight has been set to 3.3 lbs /15N at the factory.

15 N (1.500 g) at factory. The match trigger is a let-off point trigger with adjustable take-up.

- The trigger must be pulled until it reaches a noticeable resistance (trigger let-off point).
- The shot is fired after the resistance has been overcome.

⚠ WARNING

Uncontrolled discharge of shot May lead to death or severe injuries.

- For safety reasons the trigger pull weight must only be modified by a qualified gunsmith. He can adjust the trigger pull weight between approx. 2.9 lbs/13N and 3.8 lbs/17N.
- Any screws sealed with red varnish must not be adjusted by the user. If these screws are manipulated, the warranty will be void.

5.8.1 Setting the take-up

Reduce take-up:

- Turn set screw 709b clockwise.

Increase take-up:

- Turn set screw 709b counter-clockwise.

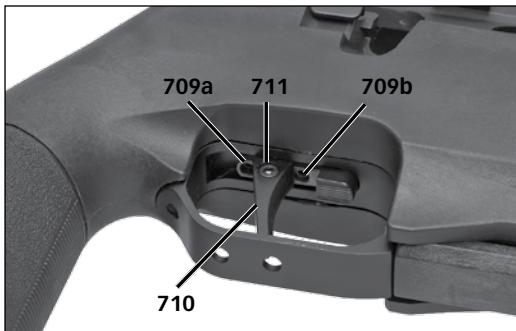


Figure 8

CAUTION! Rifle may be damaged

- The screw for reducing the take-up must only be turned clockwise to a degree that the safety lock will still work properly.
- If the free movement of the safety lock is impeded, the screw must be immediately turned back anti-clockwise until the normal safety lock function is restored.

Note:

- When setting the take-up, the trigger must be in a position that allows access to set screw 709b.
- The take-up travel cannot be adjusted to “zero”, there will always be a travel by design.

5.8.2 Setting the trigger position

Refer also to Figure 8. The trigger 710 can be displaced along the longitudinal axis by set screw 711.

1. Slacken off set screw 711.
2. Shift the trigger 710 to the desired position.
3. Tighten the screw 711.

Caution:

- Ensure that in the foremost position, the trigger does not contact the unlock slide 708.
- In the rearmost position, the trigger may not be located more to the rear, if the trigger begins to cover the adjusting screw 709a. Otherwise this could hinder the correct function of the trigger action; in the worst case, firing a shot is not possible anymore.

5.8.3 Setting the let-off point

Earlier let-off:

- Turn set screw 709a clockwise.

Later let-off:

- Turn set screw 709a counter-clockwise.

Note:

- To be able to adjust the let-off point, the trigger 710 must be in a position that allows access to set screw 709a.

6.0 Safety lock

The SAUER SSG 3000™ safety system is an indirect firing pin safety mechanism.

It locks the trigger, the trigger stop, and the firing pin shoe and thus blocks all safety-relevant components.

Its function is based on a principle proven a million times over: A single function – a single button.

- The unlock slide is located within the trigger guard ahead of the trigger where it is both well protected and tactile.
- The safety lock is located on the receiver side behind the bolt handle, where it is both visible and easy to operate.

6.1 Safety OFF

1. Slide the unlock slide 708 up to the stop with your trigger finger.

- The safety slide 313 slides also upwards and exposes a visible red warning mark.

Note: Rifle unlocked:

- Safety lock up
- Red mark visible

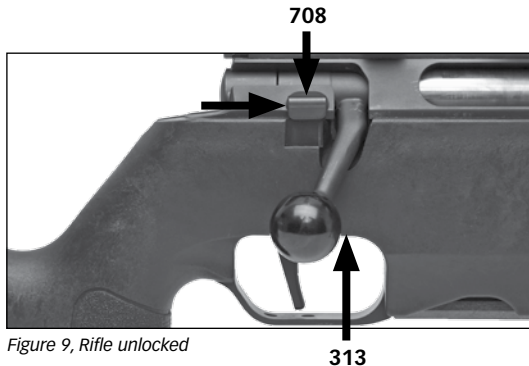


Figure 9, Rifle unlocked

6.2 Lock

1. Press down the safety lock 313 up to the stop with your thumb.

– This causes the unlock slide 708 to slide downwards out of the trigger unit where it is easily controlled by the trigger finger.

Note: Rifle locked:

– Red mark not visible

– The unlock catch can be felt with the trigger finger

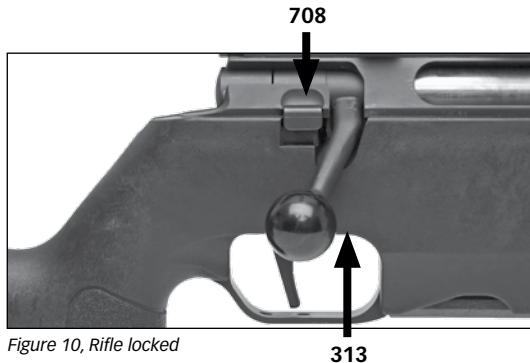


Figure 10, Rifle locked

7.0 Stock

The cheekpiece of the SSG3000™ stock is adjustable for height and can be completely removed. The buttpad can be adjusted in length.

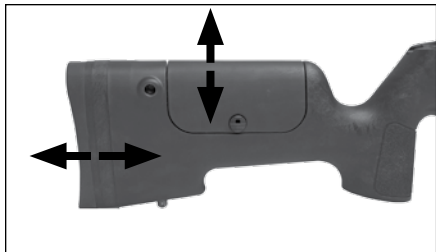


Figure 11

7.1 Removing the cheekpiece

1. Adjust the cheekrest to its highest position.
2. Locate the one cheekpiece release which has an opening, and insert the 3mm wrench key, straight in, until it stops. Both releases are now unlocked.
3. Pull the two releases out of the cheekrest, and then remove the wrench.
4. Pry one side of the cheekrest away from the stock, and up, to remove.

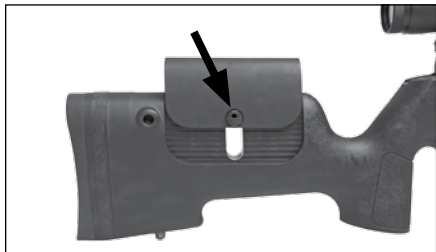


Figure 12

7.2 Installing the cheekrest

1. The cheekpiece has two similar openings for the releases. The opening with the v-notch aimed downward identifies the right side of the cheekpiece.
2. Place the cheekpiece on top of its recess in the stock, and force it downward, one side at a time, into its highest adjustment position. Ensure that the openings for the releases are aligned with the slot in the stock.
3. Insert the releases into the opposite openings in the cheekpiece so they engage and lock.



Figure 13

7.3 Stock adjustment options

7.3.1 Adjusting cheekpiece height

1. With a pinching grasp, depress both releases at the same time.
2. Raise or lower the cheekrest to the desired height.
3. Release the grasp on the releases while settling the cheekrest into the nearest adjustment position.

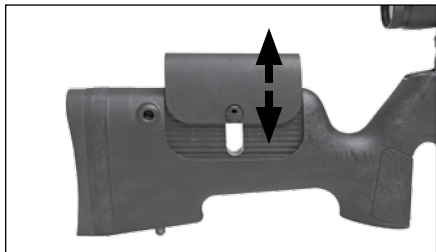


Figure 14

7.3.2 Adjust buttpad length

1. Use a phillips screwdriver to remove both buttpad screws. The screws are recessed below the surface of the pad, inside the two holes on the pad.
2. Add or remove spacers between the stock and the buttpad to achieve the desired length.
3. Lubricate the two buttpad screws with soap, and reinstall.

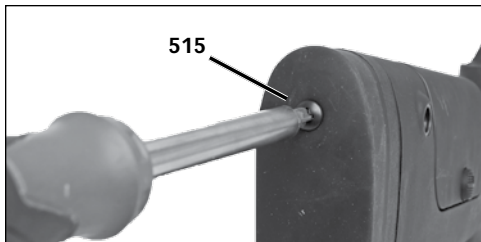


Figure 15A

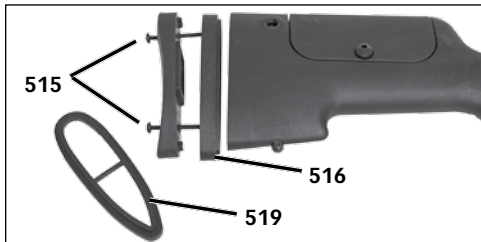


Figure 15B

8.0 Dismantling

⚠ WARNING

Rifle is ready to fire and may lead to death or severe injuries.

- There must be no magazine in the gun.
- Before stripping your gun, ensure once again that it is unloaded (see section 5.6).

8.1 Removing the stock

1. Open the bolt and remove it (see section 5.6.2).
2. Slacken off and remove the rear 514 and front 512 stock retention screws.
3. Remove the filler piece 511 from the magazine stock.
4. Lift the system out of the stock.



Figure 16

8.2 Removing the carrying sling

1. Unscrew the knurled knob Figure 17/A to the left.
2. Press in the knurled knob with the plunger and twist it by 90° to the left.
3. Remove the sling swivel.

Note:

- Clean and oil the sling swivels regularly.



8.3 Removing the barrel

1. Use the spanner supplied to slacken off the clamping screws 306, 306a in the sequence centre - rear - front.
2. Completely undo the front clamping screw 306a only.
3. Pull out insert 308 from below.
4. Extract the barrel 400 from the receiver by lightly twisting it if required.

See Figure 18.

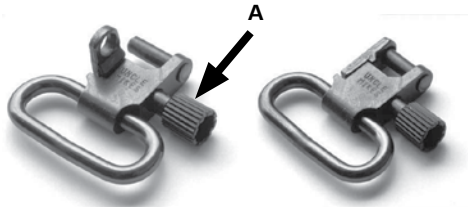


Figure 17

9.0 Assembly

CAUTION! Rifle may be damaged. Only assemble cleaned Rifle parts.

9.1 Fitting the barrel

CAUTION! Rifle may be damaged

- Do not use force when inserting the barrel into the magazine tube.
- Tighten the clamping screws until the spanner supplied begins to flex slightly.
- The spanner must not be extended by attaching a tube.
- If a torque spanner is used to tighten the screws, apply 62-71 lbs-in / 7-8 Nm.

1. Insert the barrel 400 from below up to the stop into the clamping device. Ensure that the barrel is aligned in such a way that the insert remains easy to move all the time.
2. Place insert 308 from below up to the stop into the receiver.
3. Turn the barrel until the insert engages in the barrel groove.
4. Install clamping screw 306a.
5. Lightly tighten clamping screws 306, 306a.
6. Install and close the bolt (see section 5.6.3).
7. Check the bolt action with the Rifle unloaded.
8. Alternately tighten up the clamping screws in sequence front-center-rear to 10-12 Nm (88-106 lbs in).

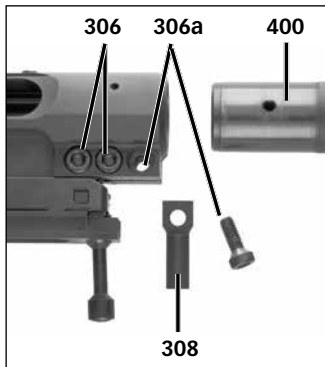


Figure 18

9.2 Installing the stock

CAUTION! Gun may be damaged

- The spanner must not be extended by attaching a tube.
- If a torque spanner is used to tighten the stock retention screws, apply 44 lbs-in / 5 Nm.

1. Lightly turn the rear stock retention screw 514 by hand.
2. Lightly turn the rear stock retention screw 512 by hand.
3. Tighten rear stock retention screw 514.
4. Tighten front stock retention screw 512. Note:

- Correct torque for the stock retention screws is achieved by grasping the end of the spanner and applying enough twist to raise the Rifle into the vertical position.

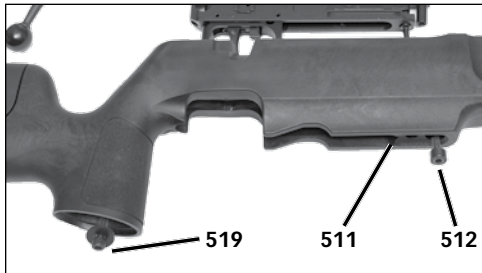


Figure 16

9.3 Fitting the carrying sling

See Figure 17 on page 48.

1. Insert the open sling swivel.
2. Press the knurled knob with the plunger and turn it to the right until the hinged plate snaps onto the stud.
3. Remove the knurled knob from the plunger by turning it to the right.
4. Insert the stud of the front sling swivel also into the front sling swivel bushing 48.

Note:

- Securely tighten the knurled knob on the plunger prior to turning.
- The sling swivel must be aligned exactly 90° to the orientation of the barrel.

10.0 .22 LR Caliber Conversion (optional)

1. Remove barrel (see section 8.3)

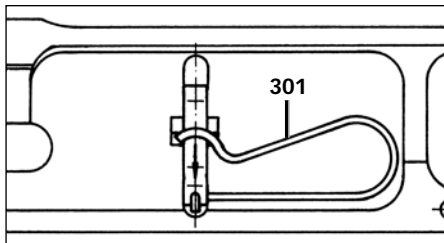


Figure 19

2. Remove magazine ejector. Unhook the magazine ejector spring 301 downwards from its upper retainer and allow it to relax.

3. Now unhook the lower claw from the magazine ejector 302 and remove it.

4. Lift the bottom end of the magazine ejector, swing it to the left and remove it from the upper aperture.

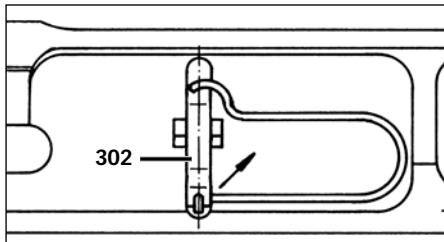


Figure 20

5. With the slot facing downwards, insert barrel 450 into the receiver. Align slot with the slot in the receiver.
6. Place insert 308 into the receiver from below.
7. Lightly tighten clamping screw 306a and remove the magazine (see section 5.7.1).
8. Insert the magazine adapter into the magazine well until it contacts the barrel.
9. Retain magazine adapter with screw 656.
10. Check correct barrel location by lightly rotating the barrel in both directions.

Note:

- On both sides there should be about the same gap between the magazine adapter and the magazine well.

11. Check that the screw 656 is well seated. If necessary, tighten it.
12. Tighten the clamping screws 306/306a and install the stock (see section 9.2).
13. Cock the bolt (see section 5.6.1), insert (see section 5.6.3) and then lock it.
14. Cycle the bolt to check that its action is smooth.
15. Insert the magazine 658 until it snaps in.
16. Sight in the Rifle (zeroing).

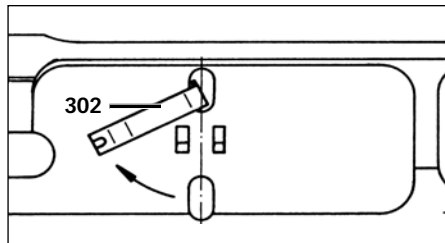


Figure 21

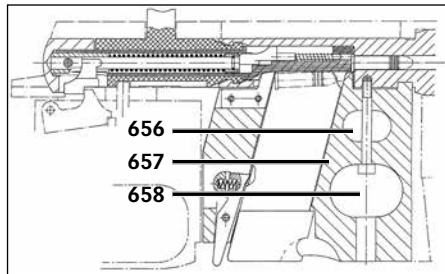


Figure 22

11.0 Accessories

Your SIG SAUER SSG 3000 is a modular precision Rifle, which can be easily adapted to new uses at a later date. Accessories make it possible to adapt the Rifle to individual needs:

- Mounting rails (Picatinny)
- Shooting sling
- Spacers for a longer butt stock
- Scopes
- Night vision devices
- Mirage band –Bipod
- Carrying case
- Transport bags
- Spare magazines
- Cleaning equipment
- Training system .22 long Rifle

11.1 Installation of optional accessories on the mounting rail

Procedure:

1. Insert accessory into the rear hollow of the mounting rail and slide it to the front.
2. Position and fix accessories.

11.2 Installing the mirage band

CAUTION! The mirage band is only loosely connected with the Rifle. May lead to injuries and damage to the Rifle. Keep the Rifle pointed in a safe direction in order to prevent the mirage band from injuring persons or damaging property if it slips unintentionally.

See Figure 24.

1. Insert the twin claws of the mirage band hook into the hole of the upper central slots of the flash suppressor.
2. Stretch the mirage band to the rear and slip hook onto the forward scope mount.

11.3 Removing the mirage band

CAUTION! The mirage band is only loosely connected with the Rifle. May lead to injuries and damage to the Rifle. Keep the Rifle pointed in a safe direction in order to prevent the mirage band from injuring persons or damaging property if it slips unintentionally.

1. Remove the hook of the mirage band from the forward scope rail mount and relax the mirage band (see Figure 24 top).
2. Unhook the twin claws of the mirage band hook from the holes of the upper central slots of the flash suppressor (see Figure 24 below).



12.0 Care

12.1 General remarks

Proper functioning and precision of the Rifle can only be maintained through regular and expert care. The Rifle must be cleaned and protected against corrosion after each use. The bore must be cleaned and protected against corrosion after each firing. Wooden stocks must be treated with a suitable agent in accordance with the corresponding instructions and must be protected against the weather.

For the optimum care for your SSG 3000 we recommend SIG SAUER care products, e.g. the SIG SAUER Premium gun grease.

WARNING

Rifle is ready to fire and may lead to death or severe injuries.

- There must be no magazine in the Rifle.
- Before stripping your Rifle for cleaning, ensure once again that it is unloaded (see section 5.6).

12.2 Cleaning the barrel

CAUTION! Gun may be damaged.

- Never clean the bore from the muzzle end and never use steel or brass wire brushes as these can destroy the polished surface of the bore. Use only suitable cleaning rods and a brush of the correct caliber.
- Detergents can damage the surface of the gun. Carefully read the manufacturers notes and warnings before applying solvents or cleansers.

1. Unload the Rifle (see section 5.5).
2. Remove the bolt (see section 5.6.2).
3. Clean the bore and barrel chamber from the rear using suitable fluids or grease (observe the respective instructions for use) and a suitable bronze or plastic cleaning brush of the correct caliber.
4. Check for traces of metal fouling (leading) in the bore. If necessary remove leading with a commercially available bore cleaning solvent (read the respective instructions for use).
5. Lightly lubricate the barrel bore and chamber with a little Rifle oil or Rifle grease.
6. Dry the bore and chamber from the rear using a plastic coated cleaning rod of the correct caliber.

12.3 External metal surfaces

For the care and preservation of the external metal and wood surfaces we recommend SIG SAUER® Premium gun grease. Minute spherical Teflon® particles seal the pores of all wood and metal surfaces and provide perfect protection and optimal sliding characteristics.

Benefits:

- dry surfaces - dust etc. does not adhere;
- water and salt water proof;
- absolute corrosion protection;
- perfect sliding characteristics, reduced wear;
- resistant to sweaty palms;
- pressure resistant up to 57.000 kg/cm²;
- temperature resistant from -50 to +230 °C;
- perfect protection and care for steel and wood;
- neutral smell

CAUTION! Gun may be damaged.

- Caring for the external metal surfaces is particularly important in wet weather or if the metal surfaces have come into contact with sweaty body parts.
- Always wipe dry the gun prior to preservation.

Procedure:

1. Thoroughly clean the Rifle using suitable cloths and cleaning agents.
2. Thinly apply the grease with a cloth or sponge over the whole Rifle (including the stock) including all mechanical and moveable parts.
3. After a reaction time of at least 60 minutes wipe dry and polish the Rifle with a clean cloth.
4. Dependent on the weather and frequency of use the protective effect will last between two to six months.

Note:

- The sling swivel must also be cleaned and oiled at regular intervals.

13.0 Trouble Shooting

13.1 Cause and correction of malfunctions

Rifle maintenance (cleaning and inspection) according to the instructions can prevent malfunctions. Should, nevertheless, a malfunction occur during shooting, proceed as follows:

⚠ WARNING

Uncontrolled discharge of shot may lead to death or severe injuries.

Hold the Rifle pointed in the firing direction (safe direction) and keep your fingers off the trigger while you carry out the steps described below.

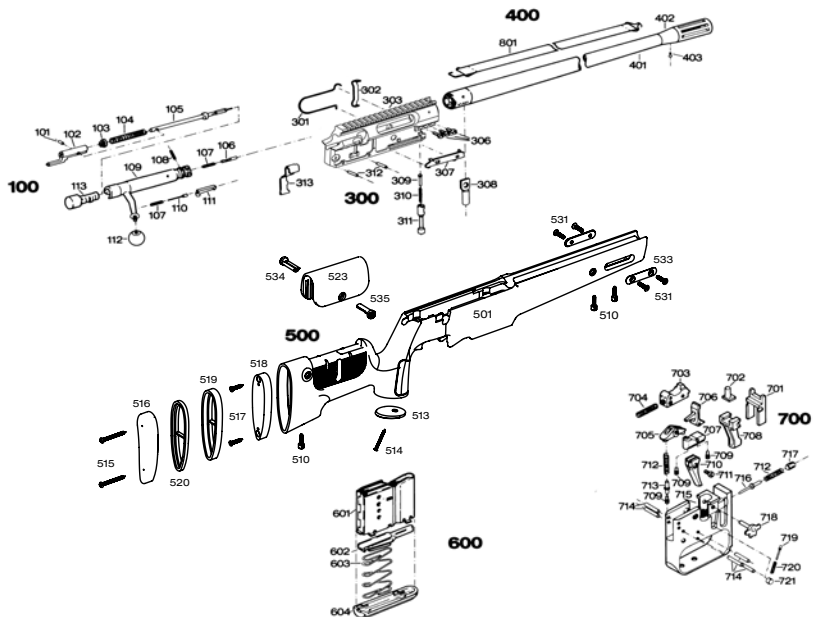
Procedure:

1. Remove magazine and unload the Rifle (see section 5.7.1).
2. Open the bolt.
 - The round or cartridge case is pulled out of the barrel chamber and ejected.
3. Check that no bullet, round, cartridge case or foreign matter is in the barrel chamber or barrel. If a projectile is lodged in the bore, strip the Rifle (see section 8) and have the blockage removed with a suitable tool by a qualified gunsmith.
4. Remove round, cartridge case or foreign bodies. Clean, lubricate and assemble the Rifle (see sections 12 and 9).
5. Have the Rifle inspected by an armorer or gunsmith.

Malfunction	Cause	Correction
No round chambered	Magazine not properly inserted, deformed or dirty	Insert magazine all the way until it engages (see section 5.7.2)
	Rifle requires service	Return to SIG SAUER.
Bolt cannot be inserted into the action	Mainspring is decocked	Cock the bolt (see section 5.6.1)
	Rifle requires service	Return to SIG SAUER.
Rifle cannot be locked	Rifle is decocked	Cock the Rifle (see section 5.6.1)
	Rifle requires service	Return to SIG SAUER.

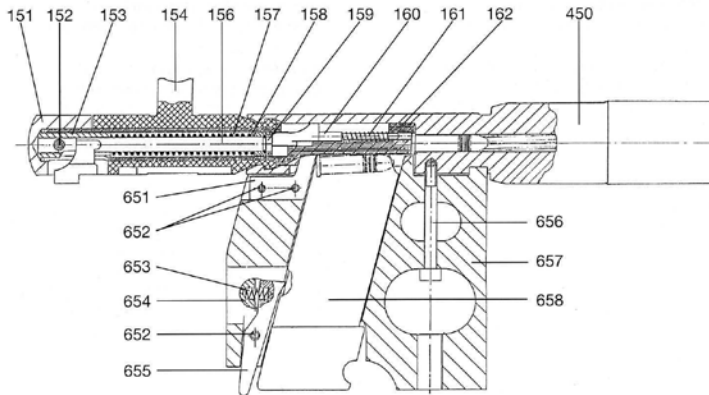
14.0 SSG 3000 Parts List & Diagram

100 Bolt, Complete	307 Magazine catch	517 Screw, Stock Plate	705 Rocker lever
101 Cylindrical pin for firing	308 Insert	518 Plate, Stock	706 Trigger lever
102 Striking pin nut	309 Guide pin	519 Spacer, Long Stock	707 Trigger shoe
103 Brazed nipple	310 Compression spring	520 Spacer, Short Stock	708 Unlock slide
104 Firing pin spring	311 Pressure bolt	523 Rest, Cheek	709 Set screw
105 Firing pin	312 Roll pin	531 Screw, Accessory Mounting Rail	710 Trigger
106 Ejector pin	313 Safety lock	533 Cover, Stock	711 Pan head screw
107 Ejector spring	400 Barrel assembly	534 Cheekrest Release 1	712 Trigger spring
108 Clamping sleeve	401 Barrel, 7.62 x 51 NATO	535 Cheekrest Release 2	713 Collar stud
109 Bolt	402 Flash suppressor	600 Magazine assembly	714 Straight pin
110 Pin for extracting spring	403 Retention screw	601 Magazine case	715 Trigger housing
111 Extractor	500 Stock, complete	602 Magazine feeder	716 Spring bolt
112 Cocking handle knob	501 Assembly, Stock Overmold Sub-	603 Magazine spring	717 Trigger spring set screw
113 Lock	510 Stud, Sling Swivel	604 Magazine floor plate	718 Rocker lever
300 Receiver, complete	513 Cap, Grip	700 Trigger unit	719 Spring pin
301 Magazine ejector spring	514 Screw, Grip Cap	701 Bolt stop	720 Magazine catch spring
302 Magazine ejector	515 Screw, Recoil Pad	702 Bolt catch	721 Spring counter bearing
303 Receiver housing	516 Assembly, Recoil Pad	703 Trigger sear	801 Mirage Band
306 Clamping screw		704 Trigger sear compression spring	



15.0 Parts List & Diagram for training system .22 LR (optional)

- 150 Bolt assy. .22 LR
- 151 Lock
- 152 Clamping sleeve
- 153 Spring counter bearing
- 154 Bolt head
- 155 Firing pin sub-assy.
(Pos. 156 - 159)
- 156 Firing pin
- 157 Firing pin spring
- 158 Bushing
- 159 Circlip
- 160 Firing pin tip
- 161 Pressure spring
- 162 Bolt cylinder
- 163 Pressure spring
- 164 Extractor seat
- 165 Retention claw
- 166 Extractor



16.0 Transportation and Storage

When transporting your firearm to and from shooting activities, keep it unloaded for your safety and for the safety of others. When storing your firearm, keep it separated from ammunition, under lock and key if possible, and out of the reach of children and other inexperienced or unauthorized persons.

⚠ WARNING – STORAGE

Never place or store any firearm in such a manner that it may be dislodged. Firearms should always be stored securely and unloaded, away from children and other unauthorized users. Use the locking device originally supplied with this firearm for storage. The use of a locking device or safety lock is only one aspect of responsible firearms storage. For increased safety, firearms should be stored unloaded and locked in a location that is both separate from their ammunition and inaccessible to children and any other unauthorized person.

STORE SECURELY & UNLOADED

17.0 Service and Replacement Parts Policy

Parts Policy

Our Service Department maintains a full complement of replacement parts. Even though most gunsmiths have the knowledge, training, and the ability to make necessary repairs to your firearm, the skill and workmanship of any particular gunsmith is totally beyond our control.

Should your firearm ever require service, we strongly recommend that you return it to SIG SAUER Inc. A firearm is a precision instrument and some replacement parts will require individual fitting to ensure correct operation. A wrong part, improper fitting, or incorrect mechanical adjustment may result in an unsafe condition or dangerous malfunction, damage to the firearm, or cause possible serious injury to the shooter or others.

IF ANY PART IS ORDERED WITHOUT RETURNING THE FIREARM TO SIG SAUER Inc., the customer bears full responsibility for ensuring that the part supplied is correct for their particular firearm and is properly installed and fitted by a qualified gunsmith.

SIG SAUER INC. CANNOT BE RESPONSIBLE FOR THE FUNCTIONING OF ANY FIREARM IN WHICH REPLACEMENT PARTS ARE INSTALLED BY OTHERS.

⚠ WARNING – PARTS PURCHASE

It is the purchaser's responsibility to be absolutely certain that any parts ordered from the factory are correctly fitted and installed. Firearms are complicated mechanisms and IMPROPER FITTING OF PARTS MAY RESULT IN A DANGEROUS MALFUNCTION, DAMAGE TO THE FIREARM, AND SERIOUS INJURY TO THE SHOOTER AND OTHER PERSONS. The purchaser and installer of parts must accept full responsibility for the correct adjustment and functioning of the Rifle after such installation.

PARTS MUST FIT CORRECTLY**Service Policy**

If you have questions concerning the performance or servicing of your Rifle, please write or call:

SIG SAUER Inc.

Attention: Customer Service

72 Pease Boulevard, Newington, NH 03801

Phone: (603) 610-3000 ext. 3

Fax: (603) 766-7002

IF YOU DO NOT UNDERSTAND THE INSTRUCTIONS FOR OPERATING YOUR RIFLE, IT IS YOUR RESPONSIBILITY TO CALL OUR CUSTOMER SERVICE DEPARTMENT AT (603) 610-3000 EXT. 3 BEFORE USING YOUR RIFLE.

18.0 Shipping Firearms for Repair

Returning Your Firearm For Service In the event you need to return your Rifle to the SIG SAUER Service Department, here's what to do:

1. The first step is to contact Customer Service at (603) 610-3000 ext. 3 for an RMA number. This number allows SIG SAUER to track the status of your return from its receipt at SIG SAUER through its return to you. Please do not send your firearm until you obtain an RMA number.
2. Make sure that the chamber and magazine(s) are unloaded and that no ammunition is included with your returned firearm.
3. Package the firearm securely to prevent damage. Enclose a letter which includes your name, street address, daytime phone number, model and serial number, and a detailed description of the problem you have experienced or the work you want performed. With the exception of extra magazines, do not include scopes, mounts, or other accessories.
4. Generally, an individual may ship firearms to the manufacturer for repair or service. Some states and localities, however, prohibit this. If you live in such an area, the firearms must be shipped by and returned to a Federally Licensed Firearms Dealer.
5. Federal law prohibits persons who do not possess a Federal Firearms License from shipping a firearm via the U.S. Postal Service. (Note: any shipment of firearms outside U.S. borders is subject to the export laws of the United States and to the valid laws of the specific country, which you must strictly follow; prior to exporting any firearm you should seek legal counsel.)
6. SIG SAUER is not responsible for any firearm until it is received, nor for damage incurred during shipment.

7. Ship your firearms insured and prepaid (we do not accept collect shipments) to:

SIG SAUER Inc.
Attention: Service Department
18 Industrial Drive Exeter, NH 03833

This instruction manual should always accompany this Rifle and be transferred with it upon change of ownership.

⚠ WARNING – SHIPPING

BEFORE SHIPPING ANY FIREARM, BE ABSOLUTELY CERTAIN THAT THE FIREARM AND ITS MAGAZINE ARE UNLOADED. DO NOT SHIP AMMUNITION WITH A FIREARM.

ORDER PARTS

In the event you want to order parts for your SSG 3000 Rifle, contact Customer Service at (603) 610-3000 ext. 3. Have available the serial number of your Rifle and the part diagram number for the part(s) you wish to order. A parts list and diagram of the Rifle are provided in sections 14.0 and 15.0.

SIG SAUER® Limited Lifetime Firearms Warranty

SIG SAUER warrants that the enclosed firearm was originally manufactured free of defects in material, workmanship and mechanical function. For the lifetime of the original purchaser, SIG SAUER agrees to correct any defect in the firearm for the original purchaser by repair, adjustment or replacement, at SIG SAUER's option, with the same or comparable quality components (or by replacing the firearms at SIG SAUER's option); provided, however, that the firearm is returned unloaded and freight prepaid to SIG SAUER at 18 Industrial Drive, Exeter, NH 03833.

This limited warranty is null and void if the firearm has been misused, damaged (by accident or otherwise), fired with handloaded, reloaded or improper ammunition, fired with an obstruction in the barrel, damaged through failure to provide reasonable and necessary maintenance as described in the manual accompanying the firearm, or if unauthorized repair or any alteration, including of a cosmetic nature, has been performed on the firearm. This limited warranty does not apply to normal wear and tear of any parts.

Subject to the foregoing, this limited warranty confers the right to have the covered firearm or its parts repaired, adjusted or replaced exclusively upon the original purchaser, which right is not transferable to any other person. No implied warranties of any kind are made herein and this warranty does not apply to any accessory items attached or appurtenant to the firearm. In no event shall SIG SAUER be liable for any incidental or consequential damages arising from or in connection with this limited warranty.

SIGSAUER[®]
when it counts[®]

www.sigsauer.com

**FOR PRODUCT SERVICE ON THIS MODEL,
PLEASE CALL (603) 610-3000 EXT. 3**

72 Pease Boulevard, Newington, NH 03801 USA