

OPERATING INSTRUCTION MANUAL

MODELS
HP-22
HP-22A
HP-25
HP-25A



SAFETY NOTICE - READ AND FOLLOW
ALL INSTRUCTIONS AND WARNINGS
IN THIS MANUAL

PHOENIX ARMS

STATE-BY-STATE WARNINGS

WARNING

FIREARMS MUST BE HANDLED RESPONSIBLY AND SECURELY STORED TO PREVENT ACCESS BY CHILDREN AND OTHER UNAUTHORIZED USERS. CALIFORNIA HAS STRICT LAWS PERTAINING TO FIREARMS, AND YOU MAY BE FINED OR IMPRISONED IF YOU FAIL TO COMPLY WITH THEM. VISIT THE WEB SITE OF THE CALIFORNIA ATTORNEY GENERAL AT [HTTPS://OAG.CA.GOV/FIREARMS](https://oag.ca.gov/firearms) FOR INFORMATION ON FIREARM LAWS APPLICABLE TO YOU AND HOW YOU CAN COMPLY. PREVENT CHILD ACCESS BY ALWAYS KEEPING GUNS LOCKED AWAY AND UNLOADED WHEN NOT IN USE. IF YOU KEEP A LOADED FIREARM WHERE A CHILD OBTAINS AND IMPROPERLY USES IT, YOU MAY BE FINED OR SENT TO PRISON.

ADVERTENCIA

LAS ARMAS DE FUEGO DEBEN MANIPULARSE DE MANERA RESPONSABLE Y SEGURA PARA EVITAR EL ACCESO DE NIÑOS Y OTROS USUARIOS NO AUTORIZADOS. CALIFORNIA TIENE LEYES ERICTAS RELACIONADAS CON ARMAS DE FUEGO, Y USTED PUEDE SER MULTADO O ENCARCELADO SI NO LAS CUMPLE. VISITÉ EL SITIO WEB DEL PROCURADOR GENERAL DE CALIFORNIA [HTTPS://OAG.CA.GOV/FIREARMS](https://oag.ca.gov/firearms) PARA OBTENER INFORMACIÓN SOBRE LAS LEYES DE ARMAS DE FUEGO QUE LE SON APLICABLES Y COMO PUEDE CUMPLIRLAS. EVITE EL ACCESO DE NIÑOS MANTENIENDO SIEMPRE LAS ARMAS BLOQUEADAS Y DESCARGADAS CUANDO NO ESTÉN EN USO. SI MANTIENE UN ARMA DE FUEGO CARGADA DONDE UN NIÑO OBTIENE Y LA USA INDEBIDAMENTE, SE LE PUEDE MULTAR O ENVIAR A PRISIÓN.

CONNECTICUT:

"UNLAWFUL STORAGE OF A LOADED FIREARM MAY RESULT IN IMPRISONMENT OR FINE."

FLORIDA:

"IT IS UNLAWFUL, AND PUNISHABLE BY IMPRISONMENT AND FINE, FOR ANY ADULT TO STORE OR LEAVE A FIREARM IN ANY PLACE WITHIN THE REACH OR EASY ACCESS OF A MINOR UNDER 18 YEARS OF AGE OR TO KNOWINGLY SELL OR OTHERWISE TRANSFER OWNERSHIP OR POSSESSION OF A FIREARM TO A MINOR OR A PERSON OF UNSOUND MIND."

MAINE:

"ENDANGERING THE WELFARE OF A CHILD IS A CRIME. IF YOU LEAVE A FIREARM AND AMMUNITION WITHIN EASY ACCESS OF A CHILD, YOU MAY BE SUBJECT TO FINE, IMPRISONMENT OR BOTH. KEEP FIREARMS AND AMMUNITION SEPARATE. KEEP FIREARMS AND AMMUNITION LOCKED UP. USE TRIGGER LOCKS."

MARYLAND:

"WARNING: CHILDREN CAN OPERATE FIREARMS WHICH MAY CAUSE DEATH OR SERIOUS INJURY. IT IS A CRIME TO STORE OR LEAVE A LOADED FIREARM IN ANY LOCATION WHERE AN INDIVIDUAL KNEW OR SHOULD HAVE KNOWN THAT AN UNSUPERVISED MINOR WOULD GAIN ACCESS TO THE FIREARM. STORE YOUR FIREARM RESPONSIBLY!"

MASSACHUSETTS:

“WARNING FROM THE MASSACHUSETTS ATTORNEY GENERAL: THIS HANDGUN IS NOT EQUIPPED WITH A DEVICE THAT FULLY BLOCKS USE BY UNAUTHORIZED USERS. MORE THAN 200,000 FIREARMS LIKE THIS ONE ARE STOLEN FROM THEIR OWNERS EVERY YEAR IN THE UNITED STATES. IN ADDITION, THERE ARE MORE THAN A THOUSAND SUICIDES EACH YEAR BY YOUNGER CHILDREN AND TEENAGERS WHO GET ACCESS TO FIREARMS. HUNDREDS MORE DIE FROM ACCIDENTAL DISCHARGE. IT IS LIKELY THAT MANY MORE CHILDREN SUSTAIN SERIOUS WOUNDS, OR INFLECT SUCH WOUNDS ACCIDENTALLY ON OTHERS. IN ORDER TO LIMIT THE CHANCE OF SUCH MISUSE, IT IS IMPERATIVE THAT YOU KEEP THIS WEAPON LOCKED IN A SECURE PLACE AND TAKE OTHER STEPS NECESSARY TO LIMIT THE POSSIBILITY OF THEFT OR ACCIDENT. FAILURE TO TAKE REASONABLE PREVENTATIVE STEPS MAY RESULT IN INNOCENT LIVES BEING LOST, AND IN SOME CIRCUMSTANCES MAY RESULT IN YOUR LIABILITY FOR THESE DEATHS.”

“IT IS UNLAWFUL TO STORE OR KEEP A FIREARM, RIFLE, SHOTGUN OR MACHINE GUN IN ANY PLACE UNLESS THAT WEAPON IS EQUIPPED WITH A TAMPER RESISTANT SAFETY DEVICE OR IS STORED OR KEPT IN A SECURELY LOCKED CONTAINER.”

NEW JERSEY:

“IT IS A CRIMINAL OFFENSE TO LEAVE A LOADED FIREARM WITHIN EASY ACCESS OF A MINOR.”

NEW YORK CITY, NY:

“THE USE OF A LOCKING DEVICE OR SAFETY LOCK IS ONLY ONE ASPECT OF RESPONSIBLE FIREARMS STORAGE. FOR INCREASED SAFETY, FIREARMS SHOULD BE STORED UNLOADED AND LOCKED IN A LOCATION THAT IS BOTH SEPARATE FROM THEIR AMMUNITION AND INACCESSIBLE TO CHILDREN AND OTHER UNAUTHORIZED PERSONS.”

NORTH CAROLINA:

ANY PERSON WHO RESIDES IN THE SAME PREMISES AS A MINOR, OWNS OR POSSESSES A FIREARM, AND STORES OR LEAVES THE FIREARM (I) IN A CONDITION THAT THE FIREARM CAN BE DISCHARGED AND (II) IN A MANNER THAT THE PERSON KNEW OR SHOULD HAVE KNOWN THAT AN UNSUPERVISED MINOR WOULD BE ABLE TO GAIN ACCESS TO THE FIREARM, IS GUILTY OF A CLASS 1 MISDEMEANOR IF A MINOR GAINS ACCESS TO THE FIREARM WITHOUT THE LAWFUL PERMISSION OF THE MINOR'S PARENTS OR A PERSON HAVING CHARGE OF THE MINOR AND THE MINOR:

- (1) POSSESSES IT IN VIOLATION OF G.S. 14-269.2(B)
- (2) EXHIBITS IT IN A PUBLIC PLACE IN A CARELESS, ANGRY, OR THREATENING MANNER;
- (3) CAUSES PERSONAL INJURY OR DEATH WITH IT NOT IN SELF DEFENSE;
OR
- (4) USES IT IN THE COMMISSION OF A CRIME.

TEXAS:

"IT IS UNLAWFUL TO STORE, TRANSPORT, OR ABANDON AN UNSECURED FIREARM IN A PLACE WHERE CHILDREN ARE LIKELY TO BE AND CAN OBTAIN ACCESS TO THE FIREARM."

WISCONSIN:

"IF YOU LEAVE A LOADED FIREARM WITHIN THE REACH OR EASY ACCESS OF A CHILD YOU MAY BE FINED OR IMPRISONED OR BOTH IF THE CHILD IMPROPERLY DISCHARGES, POSSESSES, OR EXHIBITS THE FIREARM."

PLEASE CHECK WITH YOUR LICENSED RETAILER, STATE POLICE, OR LOCAL POLICE FOR ADDITIONAL WARNINGS, WHICH MAY BE REQUIRED BY LOCAL LAW OR REGULATION. SUCH REGULATIONS CHANGE CONSTANTLY, AND LOCAL AUTHORITIES ARE IN THE BEST POSITION TO ADVISE YOU ON SUCH LEGAL MATTERS.

 **DANGER**

DO NOT STORE, CARRY, DROP, DRIVE A VEHICLE, BICYCLE, WALK OR RUN WITH A LIVE ROUND IN THE CHAMBER. A GUN THAT IS DROPPED, BUMPED OR JARRED WITH A LIVE ROUND IN THE CHAMBER MIGHT ACCIDENTALLY DISCHARGE, EVEN WITH THE SAFETY ON, CAUSING INJURY TO YOU OR SOMEONE ELSE.

ALWAYS WEAR PROPER SHOOTING GLASSES TO PREVENT EYE INJURY FROM FLYING PARTICLES.

ALWAYS USE HEARING PROTECTION TO PREVENT EAR DAMAGE DUE TO REPEATED EXPOSURE TO GUN FIRE NOISE .

DO NOT HANDLE THIS PISTOL WITHOUT FIRST CHECKING CHAMBER FOR LIVE CARTRIDGES, PISTOL SHOULD BE CLEANED FOLLOWING EACH USE. REFER TO CLEANING INSTRUCTIONS IN THIS BOOKLET.

NEVER SHOOT AT A HARD, FLAT SURFACE OR AT THE SURFACE OF WATER. BULLETS CAN RICOCHET CAUSING SERIOUS INJURY TO YOU OR OTHERS .



NEVER DEPEND ON ANY FIREARMS SAFETY DEVICE, USE CAUTION.

DO NOT ALTER ANY OF COMPONENTS OF THIS PISTOL.

IF THE TRIGGER IS PULLED WHILE THE SAFETY IS IN THE "FIRE" POSITION, THIS PISTOL WILL FIRE ANY CARTRIDGE LEFT IN THE BARREL!

AMMUNITION USED IN THIS FIREARM CONTAINS LEAD. THE USE OF THIS AMMUNITION MAY EXPOSE YOU TO LEAD, A CHEMICAL KNOWN TO THE STATE OF CALIFORNIA TO CAUSE CANCER, AND REPRODUCTIVE HARM. SHOOTING FULL METAL JACKET AMMUNITION WILL GREATLY REDUCE YOUR EXPOSURE TO LEAD. ALWAYS WASH YOUR HANDS THOROUGHLY AFTER CLEANING FIREARMS OR HANDLING AMMUNITION.

NEVER POINT PISTOL AT ANYTHING YOU DO NOT INTEND TO SHOOT, DAMAGE, INJURE OR KILL.

NEVER PLACE YOUR FINGER ON THE TRIGGER UNLESS THE PISTOL IS POINTED IN A SAFE DIRECTION AND YOU ARE READY TO SHOOT IT.

 **CAUTION**

DO NOT PUT AMMUNITION INTO THIS PISTOL, OR MAGAZINE, UNTIL YOU HAVE READ THESE INSTRUCTIONS AND FULLY UNDERSTAND ALL FUNCTIONS AND SAFE HANDLING OF THIS PISTOL.

DO NOT ATTEMPT TO USE THIS FIREARM UNTIL YOU HAVE COMPLETELY READ THIS MANUAL. A THOROUGH UNDERSTANDING OF THIS PISTOL AND ITS SAFETY SYSTEM IS ABSOLUTELY NECESSARY. NEVER PLACE YOUR FINGER ON THE TRIGGER UNLESS THE PISTOL IS POINTED IN A SAFE DIRECTION AND YOU ARE READY TO SHOOT IT. AFTER REMOVING MAGAZINE (CLIP) FROM PISTOL, ALWAYS LOOK IN TO THE CHAMBER END OF THE BARREL FOR ANY REMAINING AMMUNITION. DO NOT STORE FIREARM WITH A CARTRIDGE IN THE BARREL. KEEP OUT OF REACH OF CHILDREN AND THOSE NOT FAMILIAR WITH THE SAFE HANDLING AND OPERATION OF THIS PISTOL.

FIREARMS SAFETY IS UP TO YOU. MAKE NO MISTAKE ABOUT IT. ALCOHOL, DRUGS AND GUNS DON'T MIX.

KEEP THIS MANUAL WITH PISTOL WHEN NOT IN USE AND WHEN TRANSFERRING OWNERSHIP.

TABLE OF CONTENTS

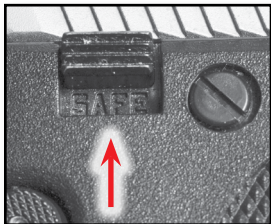
STATE WARNINGS	1-5
DANGER NOTICE	6
WARNINGS	7
CAUTION NOTICE	8
TABLE OF CONTENTS	9
PISTOL DESCRIPTION	10
MAGAZINE INTERLOCK SAFETY	11
FIRING PIN BLOCK SAFETY	12
CHECKING THE CHAMBER	13
LOADING & UNLOADING THE MAGAZINE	14
UNLOADING THE PISTOL	15
FIRING OPERATION	16
ADJUSTING SIGHT	17
DISASSEMBLY	18
CLEANING	19
ASSEMBLY	20-21
LOCKING STORAGE & TRANSPORT CASE	22
BARREL & MAGAZINE COMPONENTS	23
FRAME COMPONENTS	24-25
SLIDE COMPONENTS	26
AMMUNITION RECOMMENDATION	27
LIFETIME WARRANTY/ ACCESSORIES/ORDERING INFORMATION	BACK COVER

PISTOL DESCRIPTION



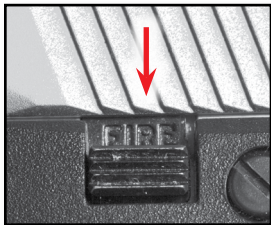
MAGAZINE INTERLOCK SAFETY

THIS SAFETY IS LOCATED AT THE TOP OF THE LEFT HAND GRIP AND CAN ONLY BE MOVED WHILE THE MAGAZINE IS FULLY INSERTED INTO THE PISTOL.



BY MOVING THE SAFETY UP TO THE TOP OF THE GRIP, THE WORD "SAFE" WILL BE EXPOSED INDICATING THE PISTOL IS IN THE SAFE POSITION. WHILE IN THE "SAFE" POSITION, THE HAMMER CANNOT BE COCKED OR UN-COCKED. ONLY WHEN THE SAFETY IS IN THE "SAFE" POSITION CAN THE MAGAZINE RELEASE BUTTON BE DEPRESSED AND THE MAGAZINE REMOVED. DO NOT MOVE SAFETY WHILE REMOVING MAGAZINE. ONCE THE MAGAZINE IS COMPLETELY REMOVED THE SAFETY IS LOCKED IN THE "SAFE" POSITION UNTIL THE MAGAZINE IS FULLY REINSERTED INTO THE PISTOL. WHILE THE SAFETY IS

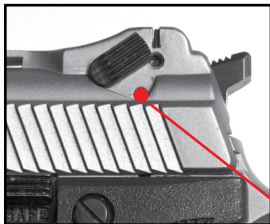
IN THIS POSITION THE SLIDE WILL ONLY BE ABLE TO MOVE REARWARD 3/16 OF AN INCH, ENOUGH TO CHECK THE CHAMBER FOR ANY REMAINING AMMUNITION.



BY MOVING THE SAFETY DOWN THE WORD "FIRE" WILL BE EXPOSED, INDICATING THE PISTOL IS IN THE FIRING POSITION. THE MAGAZINE CANNOT BE REMOVED WITH THE SAFETY IN THIS POSITION. WHILE IN THE "FIRE" POSITION THE TRIGGER CAN BE PULLED, THE HAMMER CAN BE COCKED AND UN-COCKED AND THE SLIDE CAN BE CYCLED BACK AND FORTH.

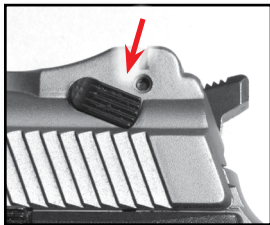
FIRING PIN BLOCK SAFETY

THE FIRING PIN BLOCK LEVER IS LOCATED ON THE LEFT SIDE OF THE SLIDE JUST ABOVE THE SERRATED FINGER GRIP.



BY ROTATING THE LEVER UP (COUNTERCLOCKWISE), A RED DOT WILL BE EXPOSED INDICATING THE FIRING PIN IS NOT BLOCKED AND A PULL OF THE TRIGGER AND FORCE OF THE HAMMER STRIKING THE FIRING PIN WILL CAUSE ANY CARTRIDGE IN THE BARREL TO **FIRE**.

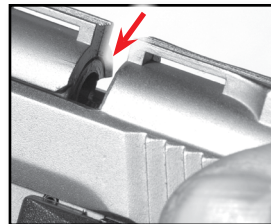
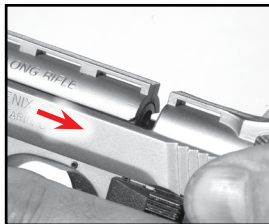
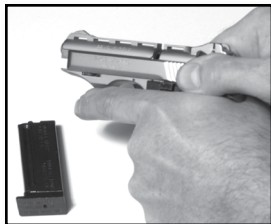
RED DOT



BY ROTATING THE FIRING PIN BLOCK LEVER DOWN (CLOCKWISE) AND COVERING THE RED DOT, THE FIRING PIN IS BLOCKED AND RESTRICTED FROM STRIKING A CARTRIDGE IN THE CHAMBER. ONLY WHILE IN THIS POSITION SHOULD ANY ATTEMPT BE MADE TO RELEASE HAMMER FROM FIRING POSITION. **ALWAYS POINT PISTOL IN A SAFE DIRECTION**, WITH THUMB FIRMLY ON HAMMER SPUR, PULL TRIGGER AND SLOWLY MOVE HAMMER TO ITS FORWARD POSITION. DO NOT DRY FIRE THIS PISTOL.

CHECKING THE CHAMBER

WHENEVER PICKING UP ANY FIREARM, OR BEFORE STORING ANY FIREARM IT IS IMPORTANT TO CHECK THE CHAMBER FOR ANY LIVE ROUNDS. NEVER PLACE YOUR FINGER ON THE TRIGGER WHEN CHECKING THE CHAMBER. PLACE FIRING PIN BLOCK IN THE DOWNWARD POSITION COVERING THE RED DOT. PLACE THE MAGAZINE INTERLOCK SAFETY IN THE "SAFE" POSITION AND REMOVE MAGAZINE BY DEPRESSING MAGAZINE RELEASE BUTTON AND COMPLETELY REMOVE MAGAZINE. PULL SLIDE REARWARD, 3/16 OF AN INCH IS AS FAR AS IT WILL BE ALLOWED TO GO WITH THE SAFETY IN THE "SAFE" POSITION. VISUALLY CHECK CHAMBER FOR ANY LIVE ROUNDS. REFER TO UNLOADING INSTRUCTIONS IN THIS MANUAL TO UNLOAD PISTOL WITHOUT FIRING.



LOADING & UNLOADING THE MAGAZINE

BEFORE ATTEMPTING TO LOAD MAGAZINE IT IS IMPORTANT THAT YOU READ AND FULLY UNDERSTAND ALL FUNCTIONS AND SAFE HANDLING OF THIS PISTOL. THE MAGAZINE, BARREL AND SLIDE ARE MARKED WITH PROPER CALIBER OF CARTRIDGE TO BE USED AND ALL MUST BE OF THE SAME CALIBER. PLACE ONE ROUND IN AT A TIME. WITH THE REAR OF THE ROUND AT MIDWAY IN THE TOP OF THE MAGAZINE PUSH DOWNWARD AGAINST THE MAGAZINE FOLLOWER AND THEN REARWARD. THE FOLLOWING ROUNDS ARE LOADED INTO THE MAGAZINE IN THE SAME MANNER. THE HP22 AND HP25 HOLD A MAXIMUM OF TEN ROUNDS IN BOTH THE STANDARD MAGAZINE AND THE EXTENDED MAGAZINE. THERE ARE HOWEVER, OLDER HP22 MAGAZINES THAT HOLD ELEVEN ROUNDS, SO BE SURE TO ALWAYS CHECK CHAMBER AND MAGAZINE FOR REMAINING AMMO WHEN YOU ARE DONE SHOOTING. DO NOT DEPEND ON COUNTING ROUNDS AS YOU SHOOT. TO UNLOAD MAGAZINE OF AMMUNITION PUSH THE TOP ROUND FORWARD AND OUT, OPPOSITE THE DIRECTION USED TO LOAD. REPEAT UNTIL ALL CARTRIDGES ARE REMOVED. CAUTION DO NOT FORCE WITH ANYTHING THAT MAY DAMAGE OR RUPTURE CARTRIDGE PRIMER. ALWAYS STORE AMMUNITION SEPARATELY FROM PISTOL.



THE HP22 MAGAZINE IS ILLUSTRATED HERE. WE RECOMMEND STANDARD VELOCITY AMMUNITION IN ALL OUR MODEL HP PISTOLS.

UNLOADING THE PISTOL



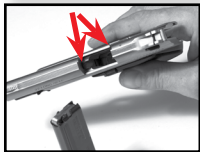
WHILE REMOVING CARTRIDGE FROM BARREL CHAMBER, KEEP THE PISTOL POINTED IN A SAFE DIRECTION. ROTATE FIRING PIN BLOCK LEVER DOWN (CLOCKWISE) COMPLETELY COVERING THE RED DOT. TAKE THE PISTOL IN YOUR RIGHT HAND WITH A FIRM GRIP, MAKING SURE YOUR FINGERS ARE NOT TOUCHING THE TRIGGER.



WITH YOUR OTHER HAND FIRMLY GRASP THE SERRATED PORTION OF THE SLIDE AND PULL IT REARWARD AS FAR AS IT WILL GO.



WITH THE SLIDE HELD AT ITS REAR MOST POSITION, MOVE THE SAFETY UPWARD TO THE "SAFE" POSITION-LOCKING THE SLIDE IN THE OPEN POSITION. THIS SHOULD EXTRACT ANY CARTRIDGE FROM THE BARREL CHAMBER.



THE MAGAZINE IS REMOVED BY DEPRESSING THE MAGAZINE RELEASE BUTTON. REMOVE ALL CARTRIDGES FROM THE MAGAZINE, CHECK MAGAZINE CAVITY AND BARREL CHAMBER FOR ANY REMAINING CARTRIDGES. UNLOAD MAGAZINE BEFORE REINSERTING. **CAUTION: IF A LOADED MAGAZINE IS RE-INSERTED INTO PISTOL A ROUND WILL BE CHAMBERED WHEN CLOSING SLIDE.**

FIRING OPERATION



PLACE FIRING PIN BLOCK LEVER IN THE DOWNWARD POSITION COVERING THE RED DOT, PLACE SAFETY IN THE "SAFE" POSITION AND REMOVE MAGAZINE. LOAD MAGAZINE FOLLOWING THE INSTRUCTIONS ON PAGE 14. REINSERT LOADED MAGAZINE INTO PISTOL.



TAKE THE PISTOL IN ONE HAND WITH A FIRM GRIP. **WHILE KEEPING YOUR FINGERS OFF OF TRIGGER AND WITH PISTOL POINTED IN A SAFE DIRECTION,** MOVE SAFETY INTO "FIRE" POSITION (KEEP FIRING PIN BLOCK LEVER IN THE DOWNWARD POSITION).



WITH YOUR OTHER HAND FIRMLY GRASP THE SERRATED PORTION OF THE SLIDE AND PULL IT AS FAR REARWARD AS IT WILL GO. RELEASE THE SLIDE FROM ITS REAR MOST POSITION ALLOWING IT TO GO FORWARD ON ITS OWN ACCORD. THIS PROCEDURE PLACES THE FIRST CARTRIDGE INTO THE CHAMBER AND COCKS THE HAMMER. **THE GUN IS READY FOR FIRING WHEN THE PIN BLOCK LEVER IS ROTATED UPWARD**

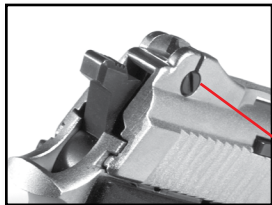
EXPOSING THE RED DOT. SUBSEQUENT FEEDING, FIRING AND EJECTION OPERATIONS ARE PERFORMED AUTOMATICALLY EACH TIME THE TRIGGER IS PULLED UNTIL THE PISTOL IS EMPTY.

CAUTION: UNLOAD PISTOL IF YOU DO NOT INTEND TO SHOOT IT IMMEDIATELY.

DURING FIRING OPERATION, IF YOU HAVE DIFFICULTY IN CHAMBERING A ROUND, A CARTRIDGE MISFIRES, OR THE MECHANISM FAILS TO EXTRACT A FIRED CASING, THEN IMMEDIATELY CEASE FIRING OPERATIONS. UNLOAD THE FIREARM AND CHECK THE BARREL FOR A POSSIBLE OBSTRUCTION. IF THE BULLET CANNOT BE SAFELY DISLODGED FROM THE BARREL USING A CLEANING ROD, TAKE THE FIREARM TO A GUNSMITH FOR ASSISTANCE.

ADJUSTING SIGHT

THIS PISTOL IS EQUIPPED WITH A FIXED FRONT BLADE SIGHT AND A WINDAGE ADJUSTABLE REAR SIGHT. THE REAR SIGHT IS ADJUSTED BY THE ADJUSTMENT SCREW LOCATED AT THE RIGHT REAR OF THE SLIDE. **PISTOL MUST BE IN THE UNLOADED CONDITION BEFORE ANY ATTEMPT TO ADJUST SIGHT.**



IF BULLET IS HITTING TO THE RIGHT OF TARGET CENTER, TURN SCREW TO THE RIGHT (CLOCKWISE).

IF BULLET IS HITTING TO THE LEFT OF TARGET CENTER, TURN SCREW TO THE LEFT (COUNTERCLOCKWISE).

SIGHT ADJUSTMENT SCREW

ALWAYS BE SURE OF BACKSTOP, BULLETS CAN TRAVEL UP TO FIVE MILES. NEVER SHOOT AT SUCH HARD SURFACES SUCH AS ROCKS, WATER, ETC.-BULLETS CAN RICOCHET AND DAMAGE, INJURE OR KILL SOMETHING YOU DID NOT INTEND TO SHOOT.



IF YOU ARE HITTING LOW OF TARGET CENTER, RAISE YOUR SIGHT OF FRONT SIGHT BLADE UP BY ONE MARK ON FRONT SIGHT BLADE TO TOP LEVEL OF REAR SIGHT.

IF YOU ARE HITTING HIGH OF TARGET CENTER, LOWER YOUR SIGHT OF FRONT SIGHT BLADE BY ONE MARK TO THE LOWER LEVEL OF SIGHT BLADE NOTCH.

DISASSEMBLY

THIS PISTOL MUST BE IN THE UNLOADED CONDITION BEFORE DISASSEMBLY IS PERFORMED (SEE UNLOADING PISTOL PAGE 15).



PLACE FIRING PIN BLOCK IN THE DOWNWARD POSITION COVERING THE RED DOT. INSERT THE EMPTY MAGAZINE INTO THE UNLOADED PISTOL.



WITH THE MAGAZINE INTERLOCK SAFETY TO THE FIRE POSITION COCK HAMMER, PUSH ON THE REAR OF THE TAKEDOWN LEVER FORWARD TOWARDS THE END OF THE BARREL AND THE LIFT MUZZLE END OF BARREL UPWARD AND OUT OF SLIDE AND FRAME.



THE SLIDE IS REMOVED FROM FRAME BY MOVING IT FORWARD AND THEN UPWARD AS SHOWN.

CLEANING

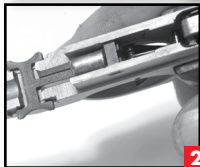
PISTOL SHOULD BE CLEANED AS SOON AS POSSIBLE AFTER FIRING. **BEFORE ATTEMPTING TO CLEAN PISTOL, EMPTY CHAMBER AND MAGAZINE OF ANY AMMUNITION AND REMOVE ALL AMMUNITION FROM CLEANING AREA.** COVER WORK AREA WITH OLD NEWSPAPER. IT IS BEST TO REMOVE BARREL FOR CLEANING. ASSEMBLE ROD AND BRUSH. PLACE A FEW DROPS OF "PHOENIX ARMS GUN LUBRICANT RP" TO ROD AND BRUSH. INSTALL BRUSH INTO BORE FROM CHAMBER END AND WORK BACK AND FORTH 5 TIMES. ALLOW OIL TO PENETRATE FOR ABOUT FIVE MINUTES. WORK BRUSH BACK AND FORTH 10 TIMES TO LOOSEN STREAKS OF LEAD AND FOULING. ATTACH OIL SOAKED PATCH TO SLOTTED END AND WORK BACK AND FORTH 10 TIMES. PLACE DRY PATCH ON JAG END AND PUSH THROUGH BORE. REPEAT UNTIL PATCH COMES OUT CLEAN. USING A LIGHTLY OILED PATCH AND SLOTTED END, OIL BARREL BORE AND ALLOW TO CURE FOR AT LEAST TWO HOURS. OTHER AREAS OF PISTOL SHOULD BE CLEANED FROM FOULING WITH A SOFT CLOTH, AND OILED LIGHTLY.



ASSEMBLY



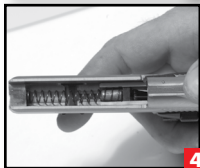
REMOVE ALL AMMUNITION FROM WORK AREA. PLACE EMPTY MAGAZINE INTO FRAME. MOVE MAGAZINE INTERLOCK SAFETY TO "FIRE" POSITION. MOVE HAMMER TO COCKED POSITION. FIG. 1



INSTALL TAKEDOWN LEVER INTO FRAME UNDER CROSS BAR. FIG. 2



PLACE SLIDE DOWN ON FRAME OVER EJECTOR AND MOVE IT TO ITS MOST FORWARD POSITION. ABOUT 1/4 INCH FARTHER FORWARD THAN THE FRAME. FIG. 3



PLACE RECOIL SPRING OVER STOP POST AND DOWN INSIDE SLIDE. WHEN PLACING SPRING ROTATE SPRING OVER POST UNTIL SPRING WIRE END AT FRONT END OF SLIDE IS AT THE TOP. FIG. 4



IF YOUR PISTOL DID NOT COME WITH A THREE INCH BARREL USE YOUR OTHER EMPTY MAGAZINE AS SHOWN TO KEEP SPRING IN PLACE WHILE RECOILING SPRING. FIG. 5

IF YOUR PISTOL CAME WITH A THREE INCH BARREL USE IT AS SHOWN WHILE RECOILING SPRING. FIG. 6

WHILE HOLDING FRAME AND COMPONENT USED TO RECOIL SPRING IN ONE GRIP, USE YOUR OTHER HAND TO PULL SLIDE COMPLETELY TO THE REAR OF ITS STROKE AND ONCE THERE MOVE SAFETY TO "SAFE". FIG. 7

REMOVE BARREL, RECOIL SPRING SHOULD BE COMPRESSED AND COILED ON STOP POST. WITH THE SLIDE LOCKED IN THE REARWARD POSITION. FIG. 8



INSERT BARREL INTO FRAME AS SHOWN. FIG. 9



PLACE BARREL HOOK IN FRAME OVER PIN AND ROTATE DOWNWARD UNTIL IT LOCKS INTO PLACE. FIG. 10



CYCLE SLIDE BACK AND FORTH AS SHOWN TO PROPERLY SEAT SPRING, IT IS NOT NECESSARY TO PULL TRIGGER OR UN-COCK HAMMER WHILE ATTEMPTING THIS. FIG. 11



SLIDE SHOULD MOVE BACK AND FORTH WITHOUT BINDING. YOU SHOULD NOT BE ABLE TO LIFT BARREL END UP IF BARREL IS SEATED PROPERLY. FIG. 12

LOCKING TRANSPORT CASE

FOR TEMPORARY LIMITED ACCESS AND TRANSPORT ONLY. THIS IS NOT A SUBSTITUTE FOR A SAFE. ALL FIREARMS SHOULD BE KEPT IN A LOCKED SAFE WHEN NOT UNDER YOUR CONTROL. AMMUNITION SHOULD ALWAYS BE STORED SEPARATELY FROM PISTOL. **ALWAYS CHECK FOR AN EMPTY CHAMBER BEFORE STORING OR TRANSPORTING.**

CLEANING
ATTACHMENT
STORAGE

LATCH

CLEANING ROD
STORAGE

MANUAL
STORAGE

UPPER LOCK
MECHANISM

OIL BOTTLE

STORAGE FOR HP
22/25 MODEL
PISTOLS ONLY

SPARE
MAGAZINE

LOWER LOCK
MECHANISM

EXTRA BARREL

EAR PLUG
STORAGE

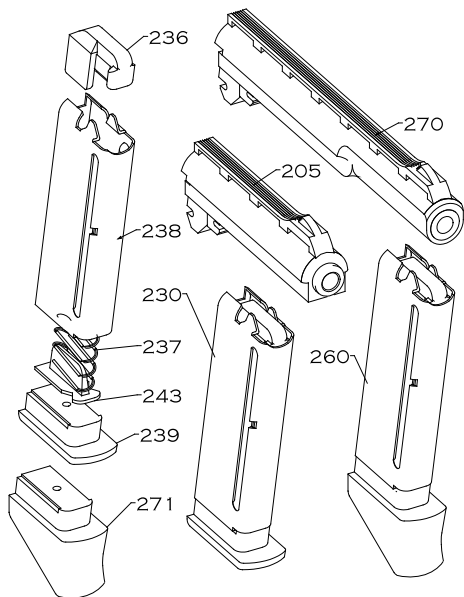


TURN RIGHT TO LOCK



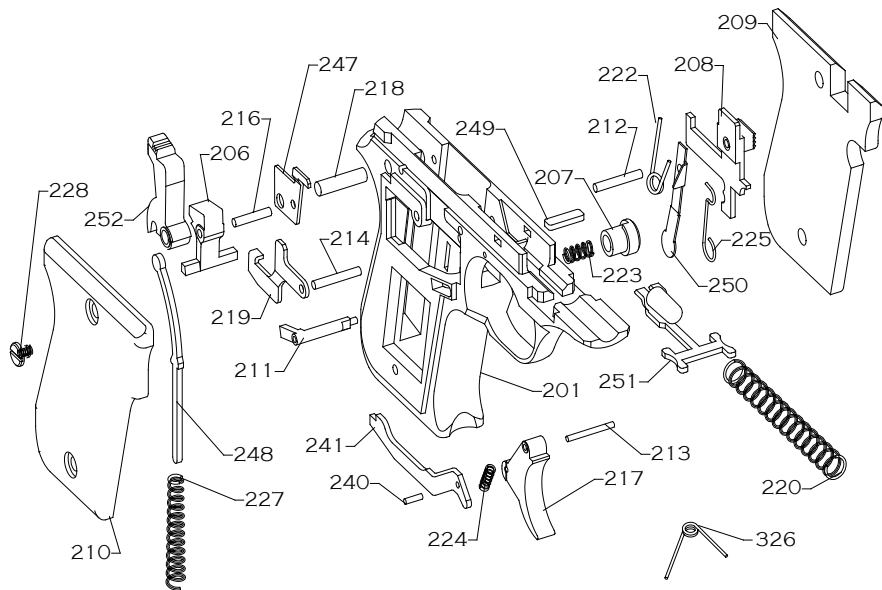
TURN LEFT TO UNLOCK

BARRELS AND MAGAZINES



#	NAME	PRICE
205	.22 LR 3 INCH BARREL	19.50
230	.22 LR STD. MAGAZINE	11.50
236	.22 LR FOLLOWER	2.50
237	.22 LR MAG SPRING	3.50
238	.22 LR MAG BODY	5.00
239	.22 LR STD. MAG BASE	2.50
243	BASE LOCK	2.50
270	.22 LR 5 INCH BARREL	32.00
271	.22 LR EXT. MAG BASE	7.50
260	.22 LR EXT. MAGAZINE	16.00
305	.25 ACP 3 INCH BARREL	19.50
330	.25 ACP STD. MAGAZINE	11.50
336	.25 ACP FOLLOWER	2.50
337	.25 ACP MAG SPRING	3.50
338	.25 ACP MAG BODY	5.00
339	.25 ACP STD. MAG BASE	2.50
371	.25 ACP EXT. MAG BASE	7.50
360	.25 ACP EXT. MAGAZINE	16.00

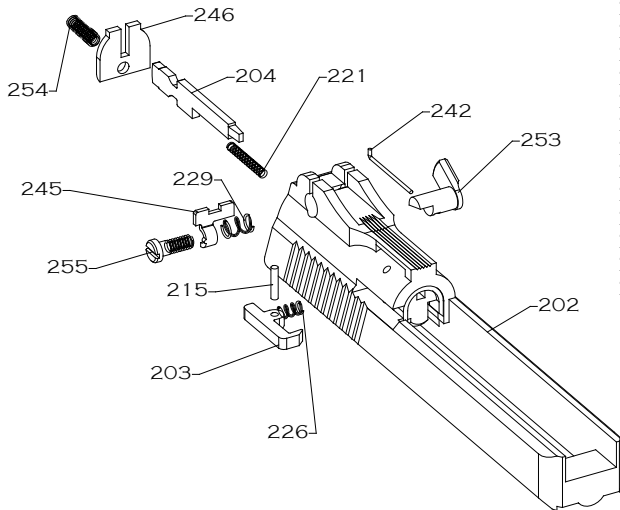
FRAME COMPONENTS



#	NAME	PRICE
201	FRAME NOT AVAILABLE	
206	SEAR	4.50
207	MAGAZINE BUTTON	2.50
208	SAFETY	4.50
209	LEFT GRIP (PLASTIC)	5.00
210	RIGHT GRIP (PLASTIC)	5.00
211	MAG CATCH	2.50
212	BARREL PIVOT PIN	.75
213	TRIGGER PIVOT PIN	.75
214	DISCONNECTOR PIN	.75
216	SEAR PIN	.75
217	TRIGGER	4.00
218	HAMMER PIN	1.00
219	DISCONNECTOR	2.90
220	RECOIL SPRING (1)	1.80
222	SEAR SPRING	.75
223	CATCH SPRING	.75
224	TRIGGER SPRING	.75
227	STRUT SPRING	1.00
228	GRIP SCREW (1)	.50
240	TRIGGER BAR PIN	.75
241	TRIGGER BAR	2.90
247	EJECTOR	2.50
248	STRUT	2.50
249	CROSS PIN	**
250	SAFETY BLOCK	**
251	TAKE DOWN LEVER	5.50
252	HAMMER	3.50

#	NAME	PRICE
**	MAG CATCH REPAIR KIT	5.00
	<i>INCLUDES:</i>	
	#207	
	#211	
	#223	
	ASSEMBLY INSTRUCTIONS	
**	PACKAGE OF 5 #220	6.00
	RECOIL SPRINGS	
326	TRIG-RETURN SPRING	5.00
	HP22A/HP25A	

SLIDE COMPONENTS



#	NAME	PRICE
202	SLIDE	EXCHANGE ONLY
203	EXTRACTOR	3.40
204	FIRING PIN	2.90
215	EXTRACTOR PIN	.75
221	FIRING PIN SPRING	.75
226	EXTRACTOR SPRING	.75
229	SIGHT SPRING	.75
234	FRONT PLATE .22LR	7.50
242	BLOCK SPRING	**
245	SIGHT	1.00
246	REAR PLATE	2.50
253	FIRING PIN BLOCK	**
254	REAR PLATE SCREW	.40
255	SIGHT SCREW	.50

RECOMMENDED AMMUNITION

HP22/HP22A

CARTRIDGE:	22 LONG RIFLE
BULLET WEIGHT:	32/40 GRAINS
BULLET STYLE:	LEAD ROUND NOSE
VELOCITY:	1050/1150 FPS (FEET PER SECOND)

HP25/HP25A

CARTRIDGE:	25 A.C.P.
BULLET WEIGHT:	40/50 GRAIN
BULLET STYLE:	FULL METAL JACKET / ROUND NOSE
VELOCITY:	750/900 FPS (FEET PER SECOND)

USE FACTORY PRODUCED AMMUNITION ONLY. THESE PISTOLS WERE DESIGNED TO SHOOT THE ABOVE AMMUNITION AND FAILING TO DO SO MAY RESULT IN POOR PERFORMANCE OF PISTOL.

THE USE OF RELOADED, HAND-LOADED, "RE-MANUFACTURED," OR OTHER NON-STANDARD AMMUNITION VOIDS ALL WARRANTIES. USE OF SUCH RELOADED AMMUNITION CAN SEVERELY DAMAGE THE FIREARM AND RESULT IN SERIOUS INJURY OR DEATH TO THE SHOOTER OR OTHERS NEARBY. ONLY USE RECOMMENDED AMMUNITION.



HP Pistol Lock

\$12.00

INCLUDED IN ALL RANGE KITS



**HP NYLON
BELT HOLSTER**

\$10.00

WITH ADJUSTABLE WEB
STRAP, FITS EITHER
LENGTH BARREL



HP CLEANING KIT

\$8.00

COMES WITH GUN OIL,
CLEANING ROD,
ATTACHMENTS AND
COTTON PATCHES