

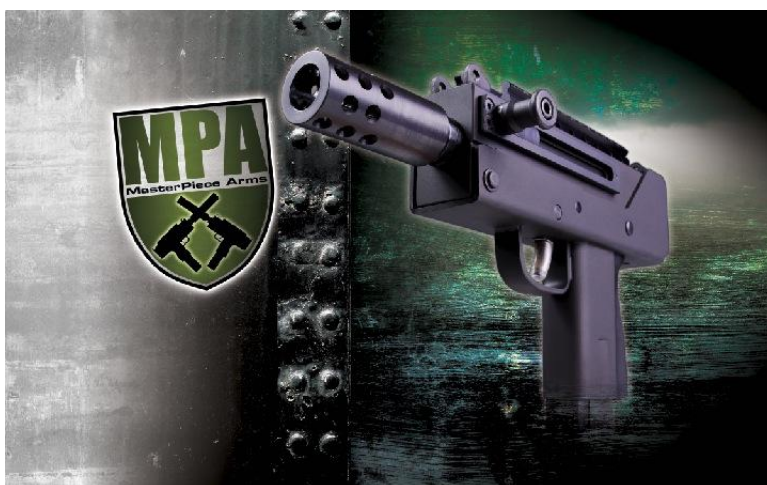


4904 Hwy 98 • Comer, GA. 30629  
(866) 803-0000 [www.masterpiecearms.com](http://www.masterpiecearms.com)

# Defender Series Owner's Manual

## MPA5700DMG Carbine

## MPA57DMG Pistol



When you purchased your MPA Defender Series weapon, you purchased the most reliable weapon in its class. MasterPiece Arms uses state of the art manufacturing technology to design and produce our weapons, tests and re-tests our products to provide you with one of the most enjoyable guns available.

We sincerely hope that you have many years of fun and safe shooting with your MPA Defender Series weapon.

Respectfully Yours  
**MasterPiece Arms**

**READ THIS MANUAL IN ITS ENTIRETY BEFORE OPERATING YOUR MPA FIREARM.**

**WARNING**

The Bureau of Alcohol, Tobacco and Firearms classifies this MPA Gun as a firearm or dangerous weapon. If used or handled improperly it could cause injury and possibly death. Read and understand this manual before using this firearm. Follow these instructions with the utmost regard to safety, handling, operation, cleaning, selection of ammunition etc... Failure to follow these instructions and safety precautions could cause personal injury and/or damage to your firearm and may void your warranty.

Always assume that the firearm is loaded until you positively verify that the chamber is empty.

- Do not permit others to use the weapon until they have read this manual and are familiar with the safety precautions for operating this firearm.
- Your safety and the safety of your family and others depend on your safe and mature adoption, development and consistent employment of **SAFE FIREARMS HANDLING PRACTICES**. If you are unfamiliar with firearms seek further advice through safe gun handling courses offered by your local gun clubs, qualified instructors, or similar qualified organizations.
- Always store ammunition separately from the firearm.
- All loaded weapons are very dangerous. Treat them accordingly.
- Never carry this weapon in a pocket, purse, or other carrying case while loaded.
- At all times be aware of the direction the gun is pointed. Whether the gun is loaded or unloaded never point the gun at any thing you do not intend to shoot. Your first assumption should always be that the firearm is loaded.
- Never touch the trigger unless you intend to fire the firearm.
- Before loading make sure that the safety selector is in the "SAFE" position.
- Verify that the bore of the barrel is not obstructed in any way before loading. Note that congealed oils and grease in the bore can be obstructions.
- While loading always be certain that the weapon is pointed in a safe direction.
- Do not load the chamber of the weapon (see "Loading" for details) until you are ready to fire the weapon. Once the chamber is loaded and the safety selector is set to "FIRE" the weapon will fire if the trigger is pulled.
- Always wear firearms related safety glasses and hearing protection when firing this weapon.

- Do not shoot at hard surfaces or at water. Bullets can unpredictably ricochet in any direction and unintentionally injure or damage someone or something. Be aware of what is behind your target because a bullet may travel up to a mile past the target. If in doubt about safety, DON'T FIRE.
- When unloading this weapon remove the magazine and only after the magazine has been removed pull back the bolt to visually check to verify that the chamber is empty.
- It is not normal for this weapon to malfunction. If it should malfunction stop using it immediately and do not use it again until the source of the problem is positively identified and competently corrected by the manufacturer or a reputable gunsmith.
- When working on a malfunctioning gun always assume that it is loaded. Wear eye and ear protection and keep the muzzle pointed in a safe direction.
- The design and tolerances found in the MPA Defender & Tactical Series guns require genuine MasterPiece Arms manufactured parts. Do not make alterations. Such changes can make the weapon unsafe and will void the warranty.
- Before cleaning the weapon always be certain that it is not loaded.
- Never lubricate a loaded gun and never get lubricant on ammunition. Lubricant may damage ammunition leading to misfires.
- This manual is only applicable to the MPA Defender Series weapons. All instructions, warnings and precautions are not applicable to any other make or model.
- When firing this or any MPA weapon, never put your hand, finger, arm or any other appendage in front of the ejection port. Failure to do so can cause serious injury.
- Never put your hand, finger, arm or any other appendage in front of the muzzle (end of barrel) when firing this weapon. Failure to do so will cause serious injury.

# Table of Contents

1) GENERAL DESCRIPTION	4
2) SPECIFICATIONS	4
3) INITIAL INSPECTION	4
4) SELECTION OF AMMUNITION	4
5) MAJOR COMPONENTS	5
6) LOADING	5
A) MAGAZINE	5
B) LOADING THE WEAPON	5
C) FIRING THE WEAPON	6
7) UNLOADING	6
8) CLEANING AND MAINTENANCE	6
9) PARTS LIST	8
10) TRANSPORTATION	10
11) MAGAZINE DISASSEMBLY	10
12) WARRANTY FORM	11

## 1) GENERAL DESCRIPTION

- A) The MPA Defender & Tactical Series deliver high capacity fire-power in compact, easy to handle units, making them ideal for a lifetime of recreational shooting or home defense.

## 2) SPECIFICATIONS

### A) MPA5700DMG Carbine Rifle

- Type of Weapon.....Magazine Fed Semi-Auto
- Ammunition.....5.7x28mm
- Safety.....Rotating safety selector
- Finish.....Black Phosphate
- Magazine.....20 Round
- Barrel Length.....16.150"
- Overall Length.....34 7/8"
- Height of gun without magazine.....6"
- Height of gun with 20 round magazine.....6.5 "
- Weight of gun without magazine.....6.27 lb.

### B) MPA57DMG Pistol

- Type of Weapon.....Magazine Fed Semi-Auto
- Ammunition.....5.7x28mm
- Safety.....Rotating safety selector
- Finish.....Black Phosphate
- Magazine.....20 Round
- Barrel Length.....5.375"
- Overall Length.....11.750"
- Height of gun without magazine.....6"
- Height of gun with 20 round magazine.....6.5"
- Weight of gun without magazine.....3.8 lb.

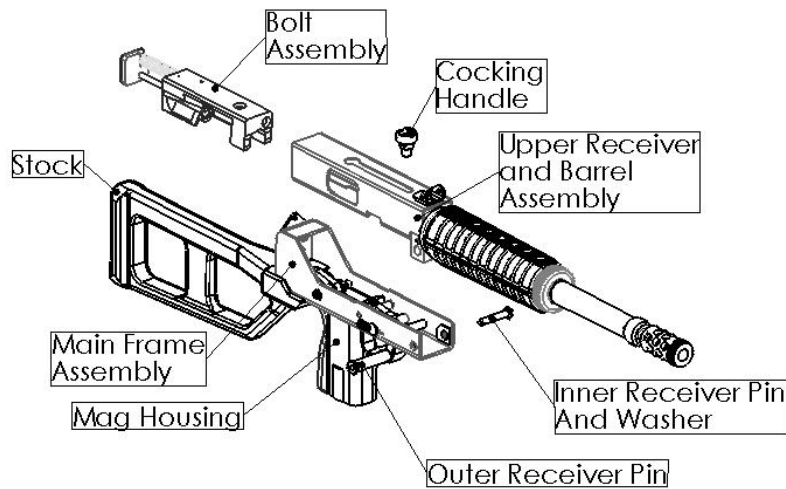
## 3) INITIAL INSPECTION

- A) Examine the delivered gun. All MasterPiece Arms weapons are factory inspected, serial numbered, logged, and shipped with a bonded carrier. However, MasterPiece Arms cannot control damage, operation, or pilferage between delivery to the wholesaler and the ultimate purchase. Refer to the dealer if any damage or missing parts are noted.

## 4) SELECTION OF AMMUNITION

- A) MasterPiece Arms recommends new (not reloaded) quality ammunition. Quality ammunition helps to assure consistent performance and eliminate potential hazards of reloaded "hot" ammo which can damage the weapon or injure or cause death to the shooter or those in the vicinity. The use of reloaded ammo will void the warranty on this weapon. Be sure to inspect ammunition before loading to ensure ammo meets SAAMI or factory specifications. Using non-standard ammo can cause failure or injury.

## 5) MAJOR COMPONENTS



\*\*\*\*\*

Please be advised that if your Pistol or Carbine is a Side Cocker the Bolt and all other parts except the Cocking Handle and Upper Receiver will be the same as shown. For the Side Cockers the Cocking Handle will be on the left side of the upper receiver and it will not move as you fire the gun.

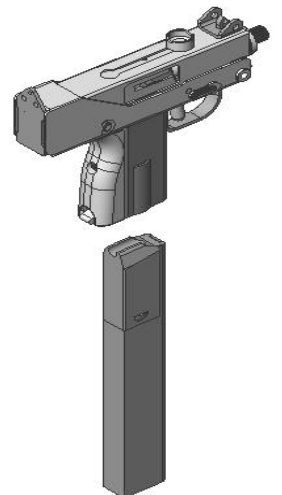
## 6) LOADING

### A) MAGAZINE

- The magazine for the MPA57DMG Series is a double stack magazine. To load the magazine, simply depress the cartridge into the top of the magazine between the feed lips until the round is in proper position. Make sure the bullet is pointing towards the front of the magazine.
- Push the bullet back until it stops against the inside wall of the magazine. Repeat steps until magazine is full or desired amount of ammo is loaded in magazine. Note: Magazine is full when it will not push down any further.

### B) LOADING THE WEAPON

- Always be certain that the safety selector is in the "Safe" Position before loading.
- Insert the magazine into the mag-housing. You should hear the Mag Catch click into place. Always pull downward on the magazine to make sure the Mag Catch is holding on the magazine lip.
- Pull the cocking handle all the way back (remembering to keep the muzzle pointed in a safe direction) and release it. This will put a round in the chamber. Fully release the cocking handle. Don't "ride" the handle or guide the handle forward. Slowing down the forward motion can cause poor chambering of the round.



- Rotate the safety selector to the “Fire” position. Now the weapon is ready to fire. Never touch the trigger with the weapon in this state unless you intend to fire it.

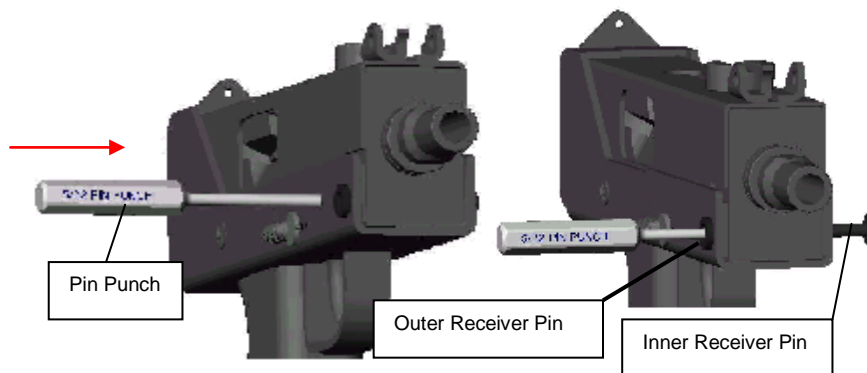
### C) FIRING THE WEAPON

- To fire the weapon, pull the trigger. The MPA57DMG series pistols and carbines are semi-automatic only designs. The weapon will continue to fire once – each time you pull the trigger. The weapon will continue to fire each time you pull the trigger until the magazine is empty.
- During the firing process, if the weapon does not fire due to a misfire or malfunction, continue to point the weapon either down range or in a safe direction. Follow the directions shown in section 7 to unload the weapon. Then inspect the weapon, magazine, ammo to determine the cause of the misfire or malfunction. If you are unsure of the cause, contact MPA before firing the weapon again.
- The MPA57DMG and MPA5700DMG utilize a high powered cartridge – 5.7x28mm. This round has a tremendous range and can travel well over a mile in distance. Keep this in mind when determining your target. Always shoot in a safe direction ensuring the safety of those around you.

## 7) UNLOADING

A) Always treat the gun as if it is loaded. Turn the safety selector to the “Safe” position. Press the Mag Catch downward with your thumb and pull on the magazine. This should allow the magazine to be completely removed.

B) After magazine has been removed from weapon, assume that there is still a round in the chamber. To



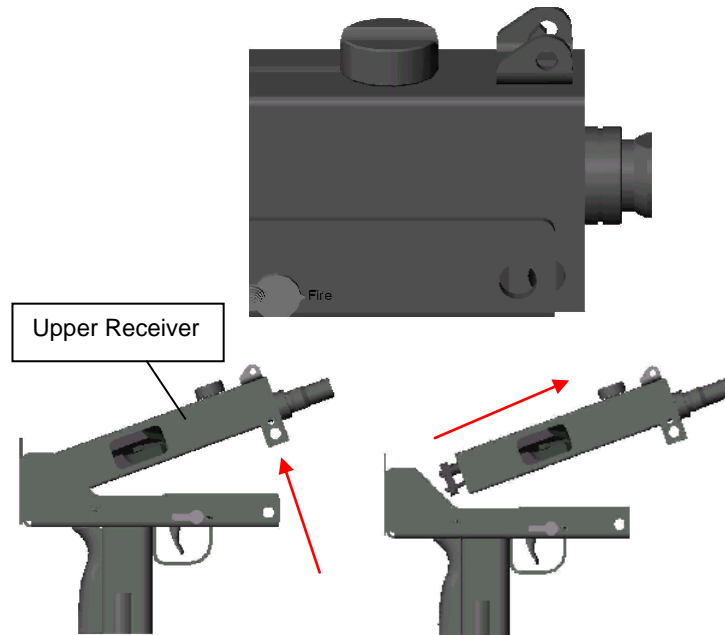
remove a round from the chamber, open the bolt by pulling the cocking handle all the way back. This should eject the unspent round, but always visually check to make sure the chamber is empty.

## 8) CLEANING AND MAINTENANCE

A) Make certain that the weapon is completely unloaded by removing the magazine, and emptying the chamber. Double check to make sure the chamber is empty before proceeding. Turn the safety selector to the “Fire” Position and pull the trigger. The hammer must be released before disassembly. Using a 5/32” or smaller pin punch, push inner receiver pin out far enough to pull it out by hand.

B) After removing the inner receiver pin turn pin around and use a punch to push the outer pin far enough out to remove.

- C) Once the receiver pins have been removed, the upper receiver will advance forward slightly. Lift the front of the upper receiver up as shown below. You will hear the hammer release (this is normal). Pull

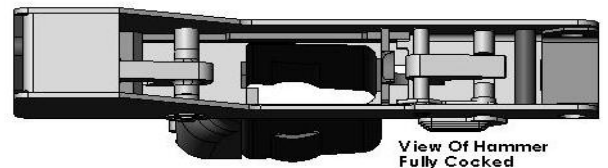
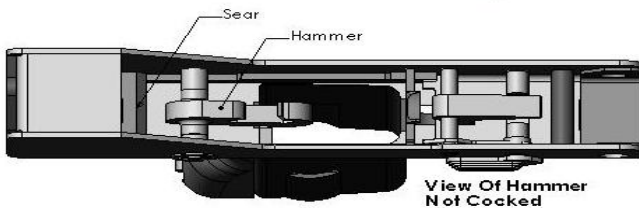


the upper receiver and bolt assembly out of the frame in the direction shown below.

- D) Slide bolt assembly all the back until it comes out the back of the upper receiver upper receiver.

**Clean any residue from all parts and wipe with a light gun oil. To reassemble proceed to the next step.**

- E) Reinstall the bolt assembly in the opposite direction as it came out.  
 F) After removing the upper receiver the hammer will not be cocked. It will be pivoted forward. Before reinstalling the upper receiver the hammer must



be cocked. Rotate hammer up and back toward the back of frame, then down until it clicks and is held back by the sear. The hammer is now cocked.

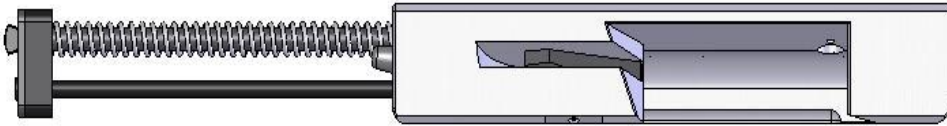
- G) Reinstall upper receiver and bolt assembly back onto frame reverse of the disassembly shown in steps 8-A, B, and C.



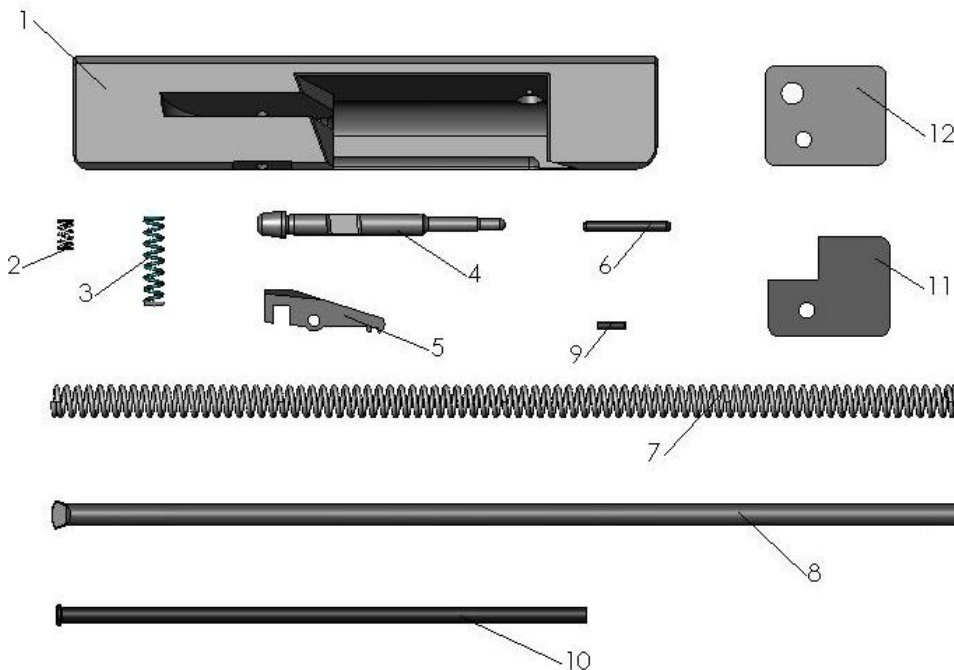
## 9) Parts List

### A) Bolt Assembly for the 57DMG Pistols & Carbines

#### Assembled View

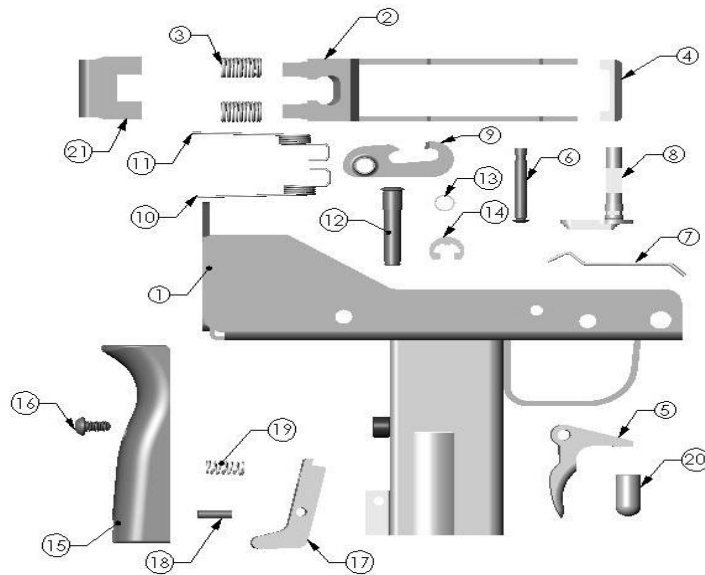


#### Bolt Assembly Breakdown



<u>Item</u>	<u>Part Number</u>	<u>Description</u>
1	MPA57-26	9mm Hammer Fired Bolt
2	MPA1-29	45/9mm Extractor Spring
3	MPA20-32RDFP	9mm Round Firing Pin Spring
4	MPA57-31RDFP	9mm Round Firing Pin
5	MPA1-28	45/9mm Extractor
6	MPA1-30	45/9 Firing Pin/Extractor Retainer
7	MPA57-38	9mm Recoil Rod Spring
8	MPA20-35	9mm Recoil Rod
9	MPA20-36	9mm Recoil Rod Pin
10	MPA20-33	9mm Ejector Rod
11	MPA20-39	9mm Recoil Pad
12	MPA20-40	9mm Recoil Plate

## B) MPA57-01 Lower Receiver Assembly



### 5.7x28mm Lower Receiver Assembly

<u>Item</u>	<u>Part Number</u>	<u>Description</u>
1	MPA57-01	Lower Receiver Frame
2	MPA20-67	Sear Spring Holder
3	MPA20-10	Sear Spring (45 has 1, 9mm has 2)
4	MPA20-09	Sear Plate (9mm will look different)
5	MPA20-11	Trigger Bar
6	MPA1-20	45/9mm Hammer Pin Retainer
7	MPA20-19	Hammer Pin
8	MPA20-13	Trigger Pin
9	MPA20-15	Safety
10	MPA20-12	Trigger
11	MPA1-66	45/9mm Trigger Boot
12	MPA57-23	Mag Catch
13	MPA57-25	57DMG Mag Catch Spring
14	MPA57-24	57DMG Mag Catch Pin
15	MPA57-21	57DMG Rubber Grip
16	MPA57-22	57DMG Mag Catch Screw
17	MPA1-18	45/9mm Hammer Spring R.H.
18	MPA1-17	45/9mm Hammer Spring L.H.
19	MPA20-16	Hammer
20	MPA20-14	Semi Wire Retainer

## C) 57DMG Pistol Upper Receiver Assembly

### 57DMG Pistol Upper Receiver Assemblies

Item	Part Number	Description
1	MPA57-47	Upper Receiver
2	MPA9057	Barrel
3	MPA20-49	Barrel Pin
4	MPA9075	Muzzle Brake
5	MPA9075-1	Belleville Washer

### 10) Shipping and Transportation

In case it becomes necessary to return the MPA Protector to MasterPiece Arms for service or inspection, it will be necessary to arrange legal shipping.

#### **WARNING**

Federal law prohibits sending firearms in the **US Mail (usps) unless sent between 2 FFL's**. State laws vary regarding the right of private individuals to ship firearms. Check with your local gun dealer for specifics. Always remove all ammunition from a firearm before shipping it. If it is necessary to also ship ammunition, ship it separately.

Ship VIA UPS or FEDEX if returning the weapon to Masterpiece Arms. It is not a violation of federal law to ship your weapon directly back to MPA using UPS or FEDEX.

Never ship ammunition with a firearm.

### 11) Magazine Disassembly

#### **WARNING**

Always wear safety glasses when disassembling Magazine. The Magazine Spring is under compression which is released when the End Plate is removed. While disassembling, take care to point the Tube away from anything that might be injured in case the Magazine Spring and End Plate Lock are not controlled and fly out of the Tube.

- Remove Magazine from the MPA57DMG.
- Remove any cartridge from the chamber.
- Remove any ammunition from the Magazine.
- Hold the Magazine Tube firmly in one hand.
- There are two locking tabs located at the base of the Magazine body that hold the End plate in place.
- Depress the Magazine Body adjacent to the End Plate to release the locking tabs to allow the End Plate to slide off the front of the magazine body using padded pliers or vice grips – to not damage the polymer.
- With the other hand, carefully and slowly slide the End Plate farther toward the front of the Magazine Body
- When the End Plate is about 2/3 off, hold finger on End Plate Lock to secure it.
- While thus controlling the Magazine Spring with finger remaining on End Plate Lock, completely remove the End Plate.

- Gradually allow the Magazine Spring to extend to its full relaxed length and catch both End Plate Lock and Magazine Spring.
- Remove Follower from Tube.

Reassemble in reverse order. After Reassembling the Magazine, test the Follower to be sure that it moves freely up and down against the spring inside the Tube.

**MasterPiece Arms  
Defender Series  
Warranty Registration Card**

MasterPiece Arms Serial # \_\_\_\_\_ Date Purchased: \_\_\_\_\_

Owner: Mr./Mrs./Ms. \_\_\_\_\_

Agency/Company: \_\_\_\_\_

Street Address: \_\_\_\_\_

City: \_\_\_\_\_ State: \_\_\_\_\_ Zip: \_\_\_\_\_

Telephone: \_\_\_\_\_ E-Mail: \_\_\_\_\_

Purchaser's Name if different from Owner: \_\_\_\_\_

---

Dealer: \_\_\_\_\_

Address: \_\_\_\_\_

City: \_\_\_\_\_ State: \_\_\_\_\_ Zip: \_\_\_\_\_

Return this card with copy of sales slip to: **MasterPiece Arms  
PO Box 67  
Comer, GA 30629**

## ***Conditional Lifetime Warranty To Original Purchaser***

All **MasterPiece Arms** firearms come with a conditional lifetime warranty (conditions listed below). Warranty covers any defect or malfunction due to poor workmanship or materials.

Warranty applies only to the original purchaser of the gun. The original purchaser is to fill out the warranty card located on the inside of the last page of the owner's manual provided with every **MasterPiece firearm**. Warranty will not be valid unless card is on file.

If firearm is defective or malfunctions due to materials or workmanship, simply return the unit to **MasterPiece Arms** with a short note describing the problem. Owner will be expected to cover the shipping cost to **MasterPiece Arms**. Then MPA will pay for return shipping, repair work, and all replacement parts required.

**MasterPiece Arms** reserves the right to inspect and determine if the problem is due to misuse, abuse or neglect, which are NOT covered by this warranty. **MasterPiece Arms** must perform all warranty evaluations and repairs, no consideration or reimbursements will be made to any repairs not performed by **MasterPiece Arms**.

### **Warranty will not cover any of the following conditions:**

- \*Damage incurred from use with an unauthorized attachment or accessory.
- \*Modification of the unit by persons other than **MasterPiece Arms**.
- \*Unit returned by persons other than the original purchaser.
- \*Firearms used as rental equipment or for commercial use.
- \*Improper installation of parts.
- \*Weather damage.
- \*Abuse

\*The entire gun must be returned for warranty repair consideration. If an incomplete gun is returned for warranty repair, no repairs will be considered.

Our liability is limited to the price paid for the product. In no event will **MasterPiece Arms** or their resellers be liable for any indirect, special, incidental or consequential damages resulting from the performance or failure to perform under this agreement. All ammunition must be of the proper caliber and type for the firearm and must meet the provisions of C.I.P. or SAAMI in size and gas pressure. Use of improper ammunition voids the warranty and releases the producer from any product liability and or warranty. By acceptance of this product, the purchaser agrees to the terms of this warranty.