



YOU CAN TRUST

# THUNDER SERIES

## SAFETY WARNINGS AND INSTRUCTION HANDBOOK

READ CAREFULLY BEFORE USING THIS FIREARM

**BERSA S.A.**

Magallanes 775 (B1704FLC), Ramos Mejía, Buenos Aires. Argentina. **TEL:** (54-11) 4003-4100 / **FAX:** (54-11) 4656-2093  
[info@bersa.com](mailto:info@bersa.com)

## INDEX

- Basic rules of firearm safety / **4**
- How to use your firearm / **5**
- Model Thunder 380, 380 Combat and Thunder 22. Technical data / **9**
- Spare Parts. Model Thunder 380, 380 Combat and Thunder 22 / **10**
- Model Thunder 380 Plus. Technical data / **13**
- Spare Parts. Model Thunder 380 Plus / **15**
- Model Thunder 380 CC / Technical data / **17**
- Spare Parts. Model Thunder 380 CC / **19**
- Safety warnings / **20**

## BASIC RULES OF FIREARM SAFETY.

1. Treat every firearm as though it were loaded.
2. Be sure the barrel is clear of any obstruction.
3. Store firearms and ammunition separately, locked if possible, and out of reach of children and those unfamiliar with firearms.
4. Before shooting your firearm, be aware of your backstop, the target, what is beyond the target, and any bystanders in your vicinity before shooting.
5. Always wear adequate eye and ear protection when shooting.
6. Always use clean, dry, factory-manufactured ammunition with the proper size and caliber for your firearm.
7. Never lend your firearm to anyone unfamiliar with its operation or the basic rules of firearms safety. Make sure anyone using your firearm has read and understood this Instruction and Safety Manual.
8. Never point your firearm at anything you do not intend to shoot!
9. Never carry this firearm loaded without the safety lever ON!
10. The best safety device is your own common sense. Use it .

# HOW TO USE YOUR FIREARM.

## **REMOVING THE MAGAZINE**

Press the left button.

-

## **LOADING THE MAGAZINE**

Push down the feeder platform or the round with the rim already in the magazine, and carefully push the new round under the magazine lips. To empty the magazine push each cartridge until they are no longer held by the magazine lips.

-

## **CHAMBER THE FIRST ROUND**

Insert the fully loaded magazine into the pistol. Hold the firearm with one hand, and with the other, grab the slide serrations and pull the slide back, then release the slide. If the manual safety is activated, the hammer is not cocked, and pulling the trigger will not cock the hammer.

## **SINGLE ACTION SHOOTING**

With the manual safety lever OFF, cock the hammer by pulling it back with your thumb. **Warning!** The slightest pressure on the trigger will shoot the firearm.

-

## **DOUBLE ACTION SHOOTING**

With the manual safety lever OFF, pull the trigger back. Each subsequent shot automatically cocks the hammer.

-

## **SAFETY ON WHEN HAMMER IS COCKED**

Push the manual safety lever down with your thumb. The hammer drops down, decocking the pistol.

#### **BERSA WARNING**

All owners and user of **BERSA®** pistols are reminded to use the manual safety lever to decock their pistols. This is the only way to safely lower the hammer.

-

#### **SAFETY KEY**

Your pistol is equipped with an internal locking system (ILS) operated by a special key. It is located above the trigger in the left side of the frame. In the unlocked position (F) the pistol is ready to fire. In the locked position (S) you can not cock the hammer, fire in double action, load a cartridge in the chamber or disassemble the pistol. Please make sure that your pistol is in the lock position (S) when not in use. Always store and keep your pistol unloaded and in a safe place away from minors.

Replacement keys can be ordered by calling customer service at 1-732-493-0333.

-

#### **WARNING**

The hammer should NEVER be manually lowered by pulling the trigger. Manually lowering the hammer is dangerous and may cause serious injury or death.

#### **LOADED CHAMBER INDICATOR:**

Model Thunder 380 CC is provided with a loaded chamber indicator. Whenever there is a live cartridge in the chamber, you will be able to see the red marking of the indicator located in the left side of the slide. Verify periodically the correct operation of this indicator.

-

#### **DISASSEMBLING AFTER FIRING**

Hold the pistol with the shooting hand (Figure 1). With the other hand, grasp the grooved surface at the rear of the slide and pull it back. Press disassembly piece nr. 21 and the slide will go back again to a second stop (Figure 2). Then lift the slide and pull (Figure 3).

-

#### **CARE AND CLEANING**

After disassembling, clean the barrel and chamber thoroughly with solvent to clean all exposed internal surfaces. Give special attention to the bolt face (where the firing pin protrudes) and under the extractor hook. Lubricate moving parts sparingly with a light high-quality firearm lubricant. Wipe off

Figure 1



Figure 2

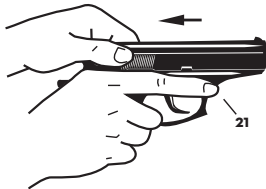
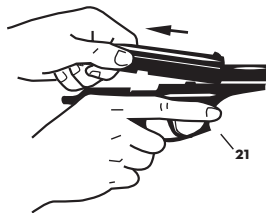


Figure 3



any excess oil.

-

#### REASSEMBLY

Put the spring around the barrel. Hold the pistol with the shooting hand. Keep the disassembly lever down (Figure 3), and release it.

**BERSA**

YOU CAN TRUST



**THUNDER**

380 / 380 Combat / 22



## TECHNICAL DATA.

### **THUNDER** 380 / 380 Combat.

**Caliber:** .380 ACP

**System Of Operation:** Semiautomatic

**Length:** 6.61 Inches / 6.5 Inches

**Height:** 4.92 Inches / 4.6 Inches

**Width:** 1.34 Inches

**Barrel Length:** 3.5 Inches

**Weight:** 20 Ounces

**Rear Sight:**

**380.** Notched bar, dovetailed

**380 Combat.** Dovetailed to slide

**Front sight:** Dovetailed to slide

**Magazine Capacity:** 7 Cartridges / 8 Cartridges

**Safety Features:** Manual safety and decocker lever / Magazine safety / Automatic firing pin safety / Internal Locking System (ILS)

**Finish:** Blue / Nickel / Duotone

**Grip:** Polymer / Rubber

### **THUNDER** 22

**Caliber:** .22 ACP

**System Of Operation:** Semiautomatic

**Length:** 6.61 Inches

**Height:** 4.72 Inches

**Width:** 1.30 Inches

**Barrel Length:** 3.5 Inches

**Weight:** 18.87 Ounces

**Rear Sight:** Notched bar, dovetailed

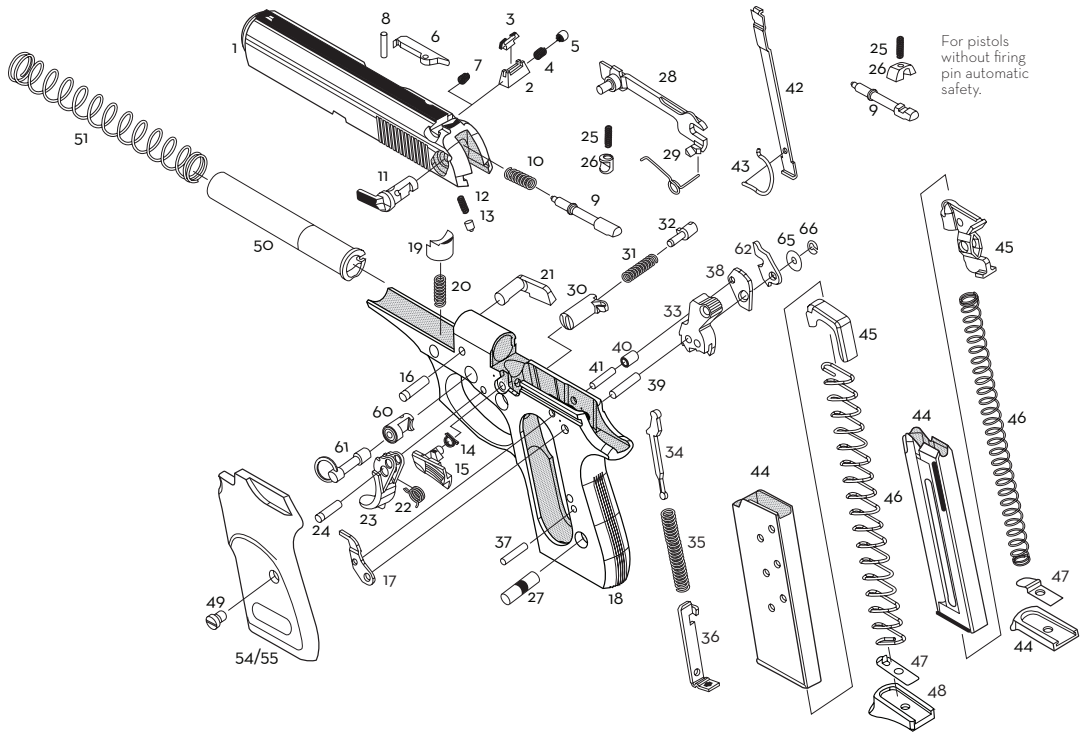
**Front Sight:** Blade, Integral With Slide

**Magazine Capacity:** 10 Cartridges

**Safety Features:** Manual safety and decocker lever / Magazine safety / Automatic firing pin safety / Internal Locking System (ILS)

**Finish:** Blue/ Nickel/ Duotone

**Grip:** Polymer



For pistols without firing pin automatic safety.

54/55

# SPARE PARTS.

THUNDER 380 / 380 Combat / 22

1. Slide
2. Rear sight
3. Rear sight blade
4. Rear sight spring
5. Rear sight screw
6. Extractor
7. Extractor spring
8. Extractor pin
9. Firing pin
10. Firing pin spring
11. Manual Safety lever / Decocking
12. Manual Safety spring
13. Manual Safety stop pin
14. Slide catch spring
15. Slide catch
16. Barrel pin
17. Ejector
18. Frame
19. Slide stop
20. Slide stop spring
21. Disassembly lever
22. Trigger spring
23. Trigger
24. Trigger pin
25. Firing pin stop spring
26. Firing pin stop
27. Grip pin
28. Drawbar / Disconnecter
29. Drawbar / Disconnecter spring
30. Magazine catch
31. Magazine catch spring
32. Magazine catch pin
33. Hammer
34. Hammer spring guide
35. Hammer spring
36. Sear
37. Sear pin
38. Hammer release cam
39. Hammer pin
40. Hammer release cam bushing
41. Hammer release cam pin
42. Magazine safety
43. Magazine safety spring
44. Magazine tube
45. Magazine follower
46. Magazine spring
47. Magazine base rivet
48. Magazine base
49. Grip screw
50. Barrel
51. Recoil spring
54. Grip (Right)
55. Grip (Left)
60. Locking
61. Safety key
62. Automatic safety
65. Hammer pin washer
66. Drawbar retention ring

**BERSA**

YOU CAN TRUST

**THUNDER** 380 Plus



# TECHNICAL DATA.

**THUNDER** 380 Plus.

**Caliber:** 380 ACP

**System Of Operation:** Semiautomatic

**Length:** 6.61 Inches

**Height:** 4.92 Inches

**Width:** 1.35 Inches

**Barrel Length:** 3.5 Inches

**Weight:** 20.5 Ounces

**Rear Sight:** Dovetailed to slide, click adjustable

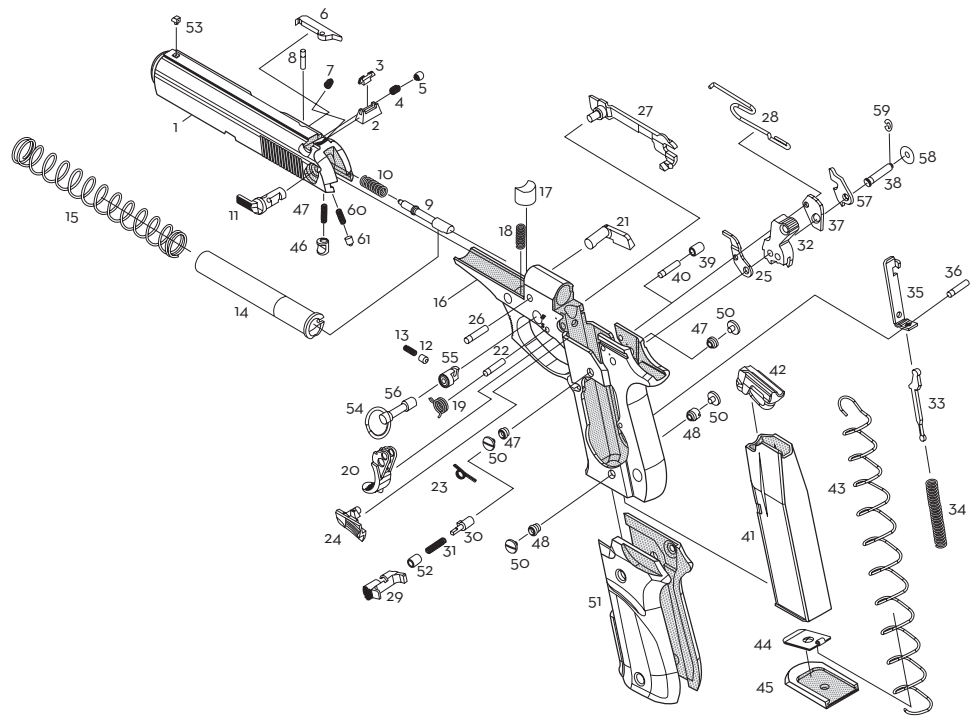
**Front Sight:** Dovetailed to slide

**Magazine Capacity:** 15 Cartridges

**Safety Features:** Manual safety and decocker lever /  
Magazine safety / Automatic firing pin safety / Internal  
Locking System (ILS)

**Grip:** Polymer

**Finish:** Blue/ Nickel/ Duotone



## SPARE PARTS.

THUNDER 380 Plus

1. Slide
2. Rear sight
3. Rear sight blade
4. Rear sight spring
5. Rear sight screw
6. Extractor
7. Extractor spring
8. Extractor pin
9. Firing pin
10. Firing pin spring
11. Manual Safety lever / Decocker
12. Manual Safety stop pin
13. Manual Safety spring
14. Barrel
15. Recoil spring
16. Frame
17. Slide stop
18. Slide stop spring
19. Trigger spring
20. Trigger
21. Disassembly lever
22. Trigger pin
23. Slide catch spring
24. Slide catch lever
25. Ejector
26. Barrel pin
27. Drawbar
28. Drawbar spring
29. Magazine catch
30. Magazine catch pin
31. Magazine catch spring
32. Hammer
33. Hammer spring guide
34. Hammer spring
35. Sear
36. Sear pin
37. Hammer release cam
38. Hammer pin
39. Hammer release cam bushing
40. Hammer release cam pin
41. Magazine tube
42. Magazine follower
43. Magazine spring
44. Magazine butt plate rivet
45. Magazine base
46. Firign pin holder
47. Firign pin holder spring
48. Lower grip bushing
49. Grip bushing
50. Grip screw
51. Grip
52. Magazine catch bushing
53. Front sight
54. Safety key ring
55. Locking
56. Safety key
57. Automatic safety
58. Hammer pin washer
59. Drawbar retention ring
60. Locking stop pin spring
61. Locking stop pin

**BERSA**

YOU CAN TRUST

**THUNDER 380 CC**





# TECHNICAL DATA.

## **THUNDER** 380 CC

**Caliber:** 380 ACP

**System Of Operation:** Semiautomatic

**Length:** 6 Inches

**Height:** 4.54 Inches

**Width:** 1.07 Inches

**Barrel Length:** 3.2 Inches

**Weight:** 16.4 Ounces without magazine,  
18.2 ounces with empty magazine

**Rear Sight:** Integral with slide

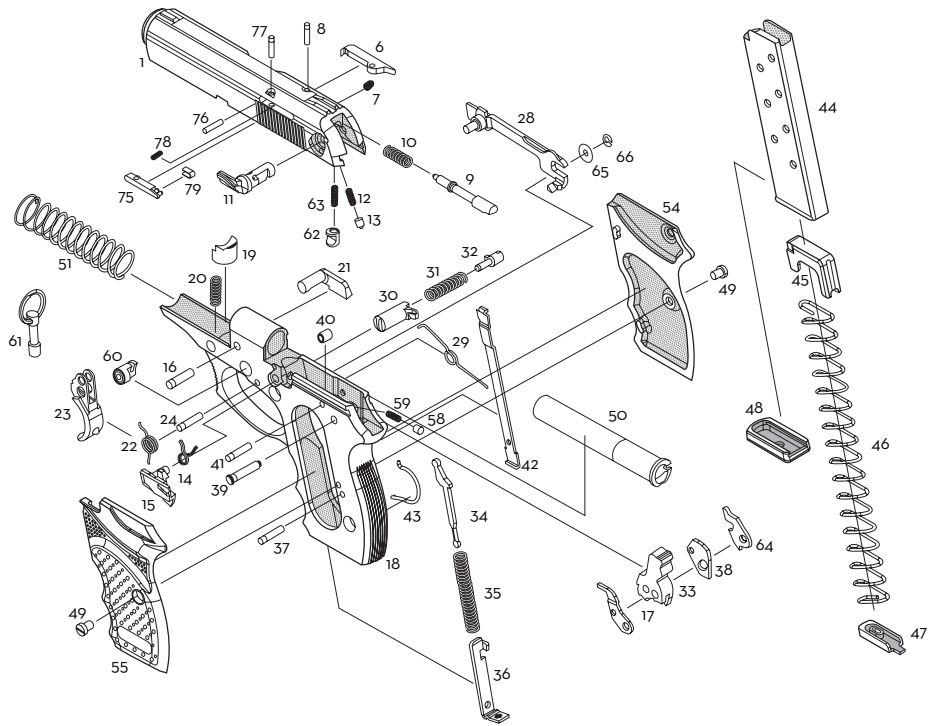
**Front Sight:** Integral with slide

**Magazine Capacity:** 8 Cartridges

**Safety Features:** Manual safety and decocker/  
Magazine safety / Automatic firing pin safety/ Internal  
locking System (ILS)

**Grip:** Polymer

**Finish:** Blue/ Nickel / Duotone



## SPARE PARTS.

**THUNDER** 380 CC, Concealed Carry Pistol

1. Slide
6. Extractor
7. Extractor spring
8. Extractor pin
9. Firing pin
10. Firing pin spring
11. Manual Safety lever / Decocking
12. Manual Safety spring
13. Manual Safety stop pin
14. Slide catch spring
15. Slide catch
16. Barrel pin
17. Ejector
18. Frame
19. Slide stop
20. Slide stop spring
21. Disassembler lever
22. Trigger spring
23. Trigger
24. Trigger pin
28. Drawbar/ Disconnecter
29. Drawbar/ Disconnecter spring
30. Magazine catch
31. Magazine catch spring
32. Magazine catch pin
33. Hammer
34. Hammer spring guide
35. Hammer spring
36. Sear
37. Sear pin
38. Hammer release cam
39. Hammer pin
40. Hammer release cam bushing
41. Hammer release cam pin
42. Magazine safety
43. Magazine safety spring
44. Magazine tube
45. Magazine follower
46. Magazine spring
47. Magazine butt plate rivet
48. Magazine butt plate
49. Grip screw
50. Barrel
51. Recoil spring
54. Grip (right)
55. Grip (left)
58. Lock stop of the IBS
59. Lock stop spring of the IBS
60. Body lock of the IBS
61. IBS key
62. Automatic safety
63. Automatic safety spring
64. Automatic safety cam
65. Drawbar support supplementary washer
66. Drawbar support elastic washer
75. Loaded chamber indicator
76. Transmission pin
77. Indicator pin
78. Indicator spring
79. Insert

**IBS: Integral blocking system**

# SAFETY WARNINGS.

## EAR AND EYE PROTECTION

Use ear plugs or earmuff-type protectors to guard you against cumulative, permanent hearing loss as a result of continuous exposure to shooting noise. Shooting glasses will guard you against powder, gas, carbon residue, lubricant, metallic particles or similar debris that may emanate occasionally from any firearm in normal use. Always make sure that anyone near you is also wearing ear and eye protection.

-

## SAFETY MECHANISM

1. Your firearm has an effective, well designed safety mechanism. However, there's no safety mechanism capable of substituting your common sense and good safety procedures. No safety can guard against horseplay, carelessness, or improper use. The safety mechanism may become ineffective due to abusive use, incorrect assembly, or unauthorized adjustments.
2. While handling any firearm, never

allow it to point at any part of your body or at another person. No harm should result if you obey this rule, even if an accidental discharge occurs.

3. The safety mechanism should be ON until you are actually aiming at the target ready to shoot
4. When turning the safety ON or OFF, point the muzzle in a safe direction and keep your finger off the trigger.
5. Be sure to put the safety in the correct position or it will not be effective. Some firearms have a red warning dot next to the safety which should be completely covered when the safety is on.
6. Do not carry the firearm loaded without the safety on (Double action revolvers and some double action pistols have an automatic internal safety mechanism instead of a manual one).

-

## LOADING

1. Be sure the muzzle is pointing in a safe direction when loading the firearm.

- 2. Do not load or unload a firearm in a confined space such as a vehicle or building other than a well-constructed shooting range. In an enclosed area there is not usually a safe direction in which to point the firearm, and if accidentally fired, there is a great risk of causing personal injury or property damage.
- 3. Clean all oil and grease from the chamber before loading, and be sure nothing is obstructing the barrel. Any obstruction in the barrel may cause the barrel to bulge or burst when firing it, or otherwise damage the firearm or injure the shooter and bystanders.

**FIRING**

- 1. When cocking a firearm, keep your finger off the trigger and point the muzzle in a safe direction.
- 2. Never carry a cocked firearm around or leave it unattended! A cocked firearm will fire with the slightest pressure on the trigger. If you fall or the firearm is dropped, or someone hits it, an accidental firing may occur.
- 3. When firing a semi-automatic gun, keep your fingers, hands, face and all other parts of your body away from the ejection port, or any other part of the slide (or bolt) when it is moving. The shooter will not be injured if the firearm is held and fired at arm's length.
- 4. Be sure no one is standing where they may be struck by an empty cartridge case. Ejected cases are hot and may cause burns, cuts or eye injuries (if no eye protection is worn). Be sure there is a clear, safe, unobstructed path for fire cases to be ejected. And also be sure they will not bounce off a hard object and hit someone.
- 5. If your firearm has a mechanical malfunction while shooting, or if powder or gas emanates from it, or if a cartridge case is bulged or ruptured, or if the sound of the fire is not quite right, DO NOT CONTINUE SHOOTING. STOP IMMEDIATELY AND UNLOAD THE FIREARM. Then take the firearm and ammunition to

your gunsmith.

6. A loaded cartridge case that becomes jammed in a semiautomatic gun between the slide (or bolt) and the barrel may be removed as follows: Keep the muzzle pointed in a safe direction. First, remove the magazine, and then pull the slide or bolt back. Hold it or lock it to the rear. Remove the jammed case by shaking the firearm or pick it out with your fingers.

#### **UNLOADING**

1. Be sure the muzzle is pointed in a safe direction.
2. After removing the magazine, be sure to clear the chamber
3. Do not assume a firearm is unloaded until you have visually checked it.

#### **TRANSPORTING AND STORING YOUR FIREARM**

1. Always keep your firearm unloaded when transporting it to and from shooting activities.
2. Store firearms and ammunition separately, preferably locked and secured. Keep firearms and ammunition out of reach of children, untrained individuals or careless, unauthorized adults.

#### **SEMI-AUTOMATIC PISTOLS:**

1. Carrying a semi-automatic pistol with a cartridge in the chamber greatly increases the chances of accidental firing. Doing so may only be justified in cases of clear and present danger.
2. If you **MUST** carry a semi-automatic pistol with a cartridge in the chamber, be sure the hammer is decocked. If your pistol has a hammer lowering lever, use this lever instead of the trigger to lower the hammer. And also, if your pistol has a manual safety, always leave it on when carrying the pistol with a cartridge in the chamber until the firearm is aimed at the target ready to shoot.

#### **AMMUNITION**

1. Use high-quality, original, factory-manufactured ammunition in your firearm. Never use ammunition that is wet, dirty, corroded or damaged. Never oil or lubricate ammunition or let excess aerosol lubricants, preservatives, or cleaners come into contact with cartridges. This may cause dangerous malfunction problems. Be sure your ammunition has the proper caliber, which is engraved on the firearm. Do

- not -use ammunition of any other caliber.
2. Reloading ammunition is a science. Improperly loaded ammunition may cause severe damage to your firearm and serious injuries to both the shooter and other individuals. Use ammunition approved by the U.S. Sporting Arms and Ammunition Manufacturers' Institute, Inc. (SAAMI). All warranties are void if you use reloaded, "remanufactured", hand-loaded, or other non standard ammunition.
  3. Excessive pressure inside the chamber or the barrel may cause severe damage to the firearm and/or serious injury to the shooter. This may be caused by obstructions in the barrel, propellant powder overloads, or the use of incorrect, wrongly assembled, dirty, corroded or damaged cartridges.
  4. Stop shooting IMMEDIATELY and check the barrel for obstructions if:
    - You have difficulties in chambering a cartridge or feel unusual resistance
    - A cartridge misfires
    - A fired cartridge case is not extracted
    - You see unburned grains of powder in the mechanism
  5. Bullets lodged in the barrel may be caused by:
    - A shot sounds abnormal or weak. These obstructions may be caused by a bullet lodged way down the barrel. Do not fire another bullet in the obstructed barrel as this may damage the firearm and cause serious injury to both the shooter and bystanders.
    - A cartridge loaded without propellant powder, or with powder failing to ignite (ignition of the cartridge primer without powder will push the bullet out of the cartridge case, but it is usually not enough to eject the bullet from the gun barrel)
    - A bullet that is not sealed tightly in its cartridge case. If a cartridge with a loose bullet is removed from the chamber without being fired, the bullet may remain in the barrel. Putting another cartridge in the chamber may push the first bullet further into the barrel.
  6. If you suspect the bullet is obstructing the barrel, unload the firearm immediately and look through the bore. Do not simply look inside the chamber as the bullet may be lodged further down the barrel where it cannot be seen easily. IF A BULLET IS OBSTRUCTING THE BARREL, DO NOT TRY TO SHOOT

IT OUT WITH ANOTHER CARTRIDGE, A BLANK CARTRIDGE, OR A CARTRIDGE WITH THE BULLET REMOVED. THIS MAY CAUSE EXCESSIVE PRESSURE AND CAUSE SERIOUS DAMAGE TO THE FIREARM AND INJURY TO THE SHOOTER OR OTHERS. Dislodge the bullet by tapping it with a cleaning rod. Then clean any unburned powder grains in the chamber, mechanism and bore before firing again. If tapping with a cleaning rod does not dislodge the bullet, it will be necessary to have a gunsmith remove it.

7. Dirty, corroded, oily, damaged or deformed cartridges may not be chambered completely, and the cartridge case may burst when firing.
8. Wipe any oil preservative from the chamber before shooting and do not lubricate the cartridges. Lubricants interfere with the required friction between the cartridge case and the chamber wall. This causes stress similar to excessive pressure.
9. Do not use too much lubricant on your gun's moving parts. Do not spray gun care aerosol products where they may come into contact with ammunition. Do not overspray. Lubricants, especially aerosol sprays,

may penetrate cartridge primers and cause the ammunition to misfire. Some lubricants may get inside cartridge cases and prevent powder from igniting. If only the primer ignites, the bullet may become lodged in the barrel.

-

#### **FIREARM CARE**

1. When your firearm is delivered it comes in a factory package and has a light coating of protective grease and oil. Clear all this grease and oil from the bore and exposed mechanism before loading.
2. Double-check your firearm is unloaded before disassembling it for cleaning.
3. After cleaning, make sure you have not left a cleaning patch or any other obstruction in the bore or chamber.

-

**PARTS:** BERSA's distributor has a complete supply of replacement parts. Even though most gunsmiths are highly qualified to make the necessary repairs to your firearm, the workmanship of any particular gunsmith, other than those in our Service Department, is totally beyond our control. Should your firearm ever require service, we strongly recommend that you return it to



an Authorized Warranty Center. Unauthorized adjustments or parts replacement can void your warranty. It is the responsibility of the purchaser to be absolutely certain that any parts ordered from **BERSA®** are of the correct type and are properly fitted and installed by a competent person. THE IMPROPER FITTING OF PARTS OR IMPROPER MECHANICAL ADJUSTMENT MAY RESULT IN A DANGEROUS MALFUNCTION DAMAGE TO THE FIREARM, AND POSSIBLE SEVERE INJURY TO THE SHOOTER OR TO OTHERS. Therefore, the purchaser and/or installer of parts must accept full responsibility for the correct adjustment and function of the firearm after such installation has been made or attempted.

-

#### **SERVICE POLICY**

Your firearm has been carefully inspected and tested before being shipped to ensure it meets our specifications and standards. If your firearm needs adjustments, refinishing or repairs, we highly recommend that you obtain factory service from an Authorized Warranty Center. If you have any questions about

your firearms performance, write, call or email to our Service Department.

-

#### **RETURNING FIREARMS FOR SERVICE**

1. Federal Licensed dealers may ship handguns via U.S. Mail. The Post Office confiscates hand guns mailed by private individuals.
2. Under Federal Law, you may return rifles by U.S. Mail. Other firearms may be returned by common carriers such as United Parcel Services (UPS). State and local gun laws vary greatly. Consult your local prosecuting attorney about any laws in your area that may restrict shipping or receiving firearms. Taking all these facts into account, we strongly recommend that you send your firearm for repairs to our distributor through a Federal Licensed dealer.
3. All firearms must be sent out by prepaid shipment. WE DO NOT ACCEPT COLLECT SHIPMENTS.
4. Together with the firearm, enclose a letter indicating the serial number, caliber and barrel length, and also the work that is needed or the problem you have experienced with the firearm. BE SPECIFIC. Do not only write the words “defective” or “repairs

needed". In addition, enclose copies of any previous letters dealing with the repairs. There will be a minimum service charge for repair works that is not covered by the warranty.

5. **YOUR FIREARM MUST BE SHIPPED UNLOADED.** Before shipping, double-check the chamber to make sure it is unloaded. By law, **BERSA's** distributor is required to notify Federal authorities if firearms are sent loaded.
6. When shipping firearms to an Authorized Warranty Center, do not include custom grips stocks, belts, slings, holsters, telescopic sights, or any other accessory.
7. Please check **www.bersa.com** for the current list of **BERSA®** authorized warranty centers, or call **EAGLE IMPORTS** for more information at 732-493-0333.

#### **LIABILITY**

REVOLVERS AND PISTOLS ARE CLASSIFIED AS FIREARMS OR DANGEROUS WEAPONS. **BERSA®** and its Distributors sell them pursuant to the specific understanding that they are not responsible, in any way whatsoever, for the safe handling or resale of

the firearm under local laws and regulations. **BERSA®** and its Distributors do not assume responsibility for any firearm malfunction, physical injury, or property damage resulting in whole or in part from (1) intentional or negligent discharge, (2) improper or careless handling, (3) unauthorized modifications, (4) defective, improper, reloaded, or hand-loaded ammunition, (5) neglect, (6) corrosion, or (7) any other circumstances or effects beyond their direct and immediate control. This limitation is applicable regardless of whether the liability is asserted on the basis of negligence, contract, or strict liability (including any failure to give a warning).

**BERSA** and its Distributors are not liable under any circumstances for any incidental or consequential damages such as commercial loss, loss for use of property, and/or loss of profits or earnings.

**IMPORTANT:** keep this manual with your firearm! the manual must be transferred with change of ownership.

Serial number: \_\_\_\_\_

Owner: \_\_\_\_\_ Purchase date: \_\_\_\_\_

Owner: \_\_\_\_\_ Purchase date: \_\_\_\_\_

Owner: \_\_\_\_\_ Purchase date: \_\_\_\_\_

Note: this information can be of great value to you for insurance purposes. Please, keep this manual in a secure place.

## LIMITED WARRANTY

**BERSA S.A.**, Magallanes 775, - B1704 FLC Ramos Mejía, Argentina, Warrants to the original purchaser that this **BERSA**® firearm will be free from defects in material and workmanship under normal use for a period of one year from the date of purchase. Under this warranty, **BERSA S.A.** shall repair or replace any defective part, or at our option, exchange the firearm within a reasonable time and without charge. Claim under this warranty should be submitted in writing the state one year period, together with proof of the date of purchase and the firearm (insurance and shipment prepaid by the purchase) to an authorized warranty center indentified on the enclosed list. Return shipment and insurance shall be paid by **BERSA**® provided the claim is covered by this warranty.

This warranty shall be waived if the claimed defect or malfunction was caused by neglect, abuse, careless handling, unauthorized adjustment, alterations

or modifications, improper ammunition, or unreasonable use.

BERSA S.A. SHALL NOT BE RESPONSIBLE FOR ANY INCIDENTAL OR CONSEQUENTIAL DAMAGE FOR BODILY INJURY PROPERTY DAMAGE OR ECONOMIC LOSS UNDER THIS WARRANTY OR OTHER GROUNDS. SOME STATES DO NOT ALLOW THE EXCLUSION OR LIMITATION OF INCIDENTAL OR CONSEQUENTIAL.

This warranty give you specific legal right, and you may also have other right wich vary from state to state if you requiere assistance in connetion with this warranty, contact:

**EAGLE IMPORT, Inc**

1750 Brielle Ave. UNIT B-1.

Wanamassa,NJ07712.

[www.beresa.com](http://www.beresa.com) / [info@beresa.com](mailto:info@beresa.com)

## LIFE TIME SERVICE CONTRACT

Please visit our website for current warranty center locations. Do not send pistols to our New Jersey location.

Upon the expiration of the one-year Warranty, and for as long as this **BERSA®** firearm is owned by the original purchaser, **BERSA S.A.** offers to service and repair any defects or malfunction in this **BERSA®** firearm, excluding the finish, grips, sight or magazine, without charge. Requests for service should be submitted in writing, together with proof of purchase and the firearm (insurance and shipment prepaid by the purchaser), to an authorized service center identified on the enclosed list. Return shipment and insurance shall be paid by **BERSA®** provided the service is covered by this service contract.

This service contract is extended only to the original purchaser, is not transferable, and shall be waived if the defect or malfunction was caused by neglect, abuse, careless handling, willful damage, damage caused by overpressure ammunition, or unauthorized ammunition, ordinary wear and tear, unreasonable use, or failure to provide reasonable and

necessary maintenance as set forth in the instruction manual. Moreover, this agreement will not apply to those parts of you **BERSA**® firearm which have been “tuned” or “gunsmithed” for performance other than customized tuning and other services provided by an authorized service center.

Please complete and return the enclosed original purchaser registration card, found in your firearm’s box, to assist us in providing this service to you. If you require assistance in connection with this service contract, please contact:

**EAGLE IMPORTS, Inc**

1750 Brielle Ave., Unit B-1 Wanamassa, NJ 07712  
732 - 493 - 0333

[info@bersa.com](mailto:info@bersa.com)

[www.bersa.com](http://www.bersa.com)

[www.eagleimportsinc.com](http://www.eagleimportsinc.com)

**NOTICE:** It is illegal to, among other things, ship firearms with ammunition in the firearm or in the same packaging. Firearm and ammunition must be shipped separately. Make sure you are in compliance with all local and federal laws when shipping a firearm for repair under this service contract to any authorized service center. You are solely responsible for understanding and complying with all state, federal, or other applicable laws or regulations regarding the shipment of firearms and/or ammunition.

THE USE OF A LOCKING DEVICE OR SAFETY LOCK IS ONLY ONE ASPECT OF RESPONSIBLE FIREARM STORAGE. FIREARM SHOULD BE STORED UNLOADED AND LOCKED IN A LOCATION THAT IS BOTH SEPARATE FROM THEIR AMMUNITION AND INACCESSIBLE TO CHILDREN AND OTHER UNAUTHORIZED PERSONS.

## **WARNING**

Children are attracted and can operate firearms that can cause severe injuries or death. Prevent child access by always keeping guns locked away and unloaded when not in use. If you keep a loaded firearm where a child obtains and improperly uses it, you may be fined or sent to prison.

## **ATENCIÓN**

A los niños les atrae las armas de fuego y pueden manipularlas pudiendo causarles heridas graves o la muerte. Impida el acceso de los niños manteniendo las armas guardadas con llave y descargadas cuando no estén en uso. Si usted mantiene un arma de fuego cargada al alcance de un niño o la usa inapropiadamente, puede ser multado o enviado a prisión.

## EXHIBIT F-2

---

DISCHARGING FIREARMS IN POORLY VENTILATED AREAS, CLEANING FIREARMS, OR HANDING AMMUNITION MAY RESULT IN EXPOSURE TO LEAD AND OTHER SUBSTANCE KNOWN TO THE STATE OF CALIFORNIA TO CAUSE BIRTH DEFECTS, REPRODUCTIVE HARM, AND OTHER SERIOUS PHYSICAL INJURY. HAVE ADEQUATE VENTILATION AT ALL TIMES. WASH HANDS THOROUGHLY AFTER EXPOSURE.

---

### **WARNING FROM THE MASSACHUSETTS ATTORNEY GENERAL**

This handgun is not equipped with a device that fully blocks use by unauthorized user. More than 200,000 firearms like this one are stolen from their owners every year in the United States. In addition, there are more a thousand suicides each year by younger children and teenagers who get access to firearms. Hundreds more die from accidental discharge. It is likely that many more children sustain serious wounds, or inflict such wounds accidentally on another. In order to limit the chance of such misuse, it is imperative that you keep this weapon locked in a secure place and take other steps necessary to limit the possibility of theft or accident. Failure to take reasonable preventive steps may result in innocent lives being lost, and in some circumstances may result in your liability for these deaths.





