

Proudly American

FMK 9C1 SERIES

**9C1 G2, 9C1 G2 PLUS, ELITE,
ELITE PLUS, ELITE PRO &
ELITE PRO PLUS**

**Instruction Manual and
Safety Features**

Read the manual completely
before using this handgun.



“ You know why there’s a second Amendment? In case the government fails to follow the first one.



**FMK 9C1 Series
9C1 G2, 9C1 G2 Plus, Elite, Elite Plus,
Elite Pro & Elite Pro Plus**

Proudly American

Instruction Manual and Safety Features
Read this manual completely before using the handgun.

100% American Made



Introduction

American exceptionalism is that quality, Americans possess and embrace, which defines our culture and differentiates us from cultures throughout the world. Americans believe we can accomplish anything and that we can make these accomplishments without government aid. Furthermore, Americans believe it is foundational to our culture that government shall not interfere with these just aspirations and that American individualism and aspiration are God given, where government's only role can be to protect this freedom.

Any opposition to this concept is opposition to the ideologies the American Founders fought for, and in fact—anti-American. It is this foundation that gave us the Bill of Rights and the concept that those citizens possessed of rights are those best situated to protect such rights. It is not by accident that possession of arms by our citizens were guaranteed in that document...

...Let us not insult the free and gallant citizens of America with the suspicion, that they would be less able to defend the rights of which they would be in actual possession, than the debased subjects of arbitrary power...the advantage of being armed, which the Americans possess over the people of almost every other nation...forms a barrier against the enterprises of ambition...

Excerpts from Federalist No. 46 -James Madison

Sincerely,
James V. Pontillo II
Founder, FMK Firearms



Rules for safe gun handling:

1. Always keep muzzle pointed in a safe direction.
2. Always keep finger off trigger until ready to shoot.
3. Always keep firearm unloaded unless ready for use.
4. Only point weapon at targets you intend to shoot.
5. Know your target and what is beyond. Your projectile can be deadly at over one mile!



Table of Contents:

- 4) Introduction
- 5) Rules For Safe Gun Handling
- 6) Table of Contents
- 7) Technical Specifications
- 8) Operation and Safety Devices
- 9) Loaded Chamber Indicator
- 10) Fast Action 804 Trigger
- 12) Double Action Trigger
- 13) Mag-Out Safety (Trigger Bar Disconnect)
- 14) FMK Product Registration
- 15) Free Book Offer
- 16) Firing Pin Block
- 17) Loading and Firing - Loading Magazine
- 18) Loading Pistol
- 19) Firing Pistol
- 20) Reloading
- 21) Assembly and Cleaning - Disassembly
- 23) Assembly
- 24) Cleaning
- 25) Sights
- 26) Warranty
- 27) Contents Complete Set
- 28) Exploded View
- 30) For My Kountry



Technical Specifications

Caliber	9 X 19
Length	6.85"
Height	5.09"
Width	1.14"
Weight (with empty magazine)	23.45 oz.
Barrel Length	4.0", 4.5"
Rifling	6 grooves left hand twist

Operation and Safety Devices

To fire this gun:

Depress trigger safety and pull trigger.

Note: Pistols depend on the recoil action of the slide moving rearward to discharge the spent cartridge and load a new one into the chamber. If the pistol is not held firmly (with elbows locked) it can fail to properly eject the spent cartridge or load a new one.

Trigger Safety: The trigger safety prevents the trigger from moving rearward unless depressed.

Trigger Guard: The trigger guard is designed to protect the trigger from accidental depression and discharge.

Always keep finger outside of trigger guard and off trigger until target is acquired and you are ready to fire.



WARNING: Any safety device can be damaged or fail. No safety device can avert tragedy if safe gun handling rules are not followed. Always follow rules for safe gun handling.



Loaded Chamber Indicator

When Chamber Loaded:

A red pin will protrude out the back of the slide when a round is in the chamber. Text “**LOADED IF OUT**” warns the user of the condition. The loaded condition is visually apparent in light and readily apparent in dark by feel.



When Chamber Unloaded:

The red pin will not protrude out the back of the slide if no round is in the chamber. The unloaded condition is visually apparent in light and readily apparent in dark by feel.



Fast Action 804 Trigger

The FMK 804 Trigger is for users who desire a shorter, lighter trigger. This assembly also removes the magazine disconnect feature which is a legal requirement in some jurisdictions.* We recommend that if you are using the conversion kit, you have a certified gunsmith install the 804 Trigger.

*With this modification the pistol is able to be fired even if the magazine is removed!

*Check with your dealer to insure this modification is legal in your jurisdiction.

CAUTION: Installation of this accessory will disable the magazine disconnect and the pistol can be fired with the magazine removed.

With the 804 Assembly, it is necessary to retract and release the slide to ready the pistol to fire.

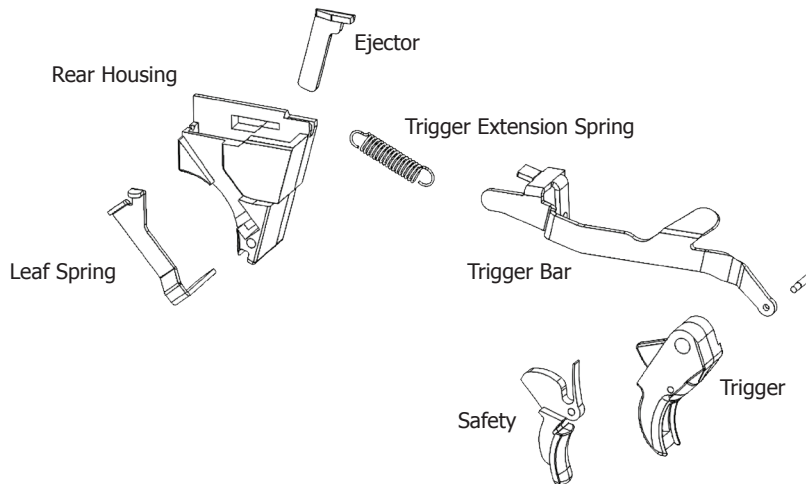
In this condition the striker is held against the trigger bar abutment under spring pressure. Upon activation of the trigger (moving rearward), the trigger bar will move back and contact an angled surface on the leaf spring directing the trigger bar downward. This motion will disengage the striker at a maximum rearward position, allowing the striker to move forward and strike the cartridge primer. As in the DAO mechanism, when fully rearward, the firing pin block is activated by a lobe on the trigger bar, allowing the path of the cartridge primer to be unobstructed.

Upon discharge the slide will move rearward. A cam inside the slide will contact the lobe on the leaf spring; spring pressure from the 804 Trigger Extension Spring will pull the trigger bar up into the slide's path moving forward after it completes its rearward motion. Upon moving forward the striker will engage the 804 Trigger Bar ready for the next discharge.



CAUTION: The slide cannot be removed in this condition. If disassembly is required, the magazine must be removed and the chamber must be emptied. After this, the gun must be pointed in a safe direction and the trigger must be pulled to release the striker from the trigger bar. Only then can the slide be removed.

804 Trigger Assembly (Exploded View)



Double Action Only Trigger (DAO)

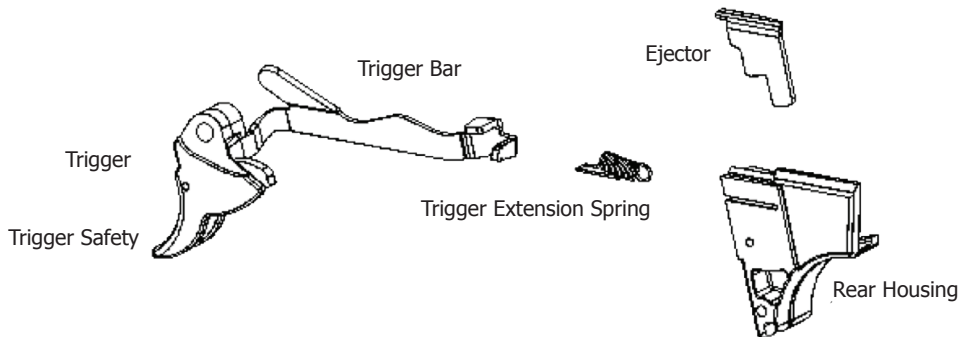
The FMK 9C1 Gen 2 Double Action Only Trigger (DAO) retracts the striker and releases it to fire the weapon when pulling the trigger. Integral to the design is a trigger disconnect which disables the trigger if the magazine is removed.

**The magazine disconnect feature is a legal requirement in some jurisdictions.*

9C1 DAO Trigger Assembly

With the DAO Assembly, it is not necessary to retract and release the slide to ready the pistol to fire, only that the chamber be loaded.

Double Action Only Trigger Exploded

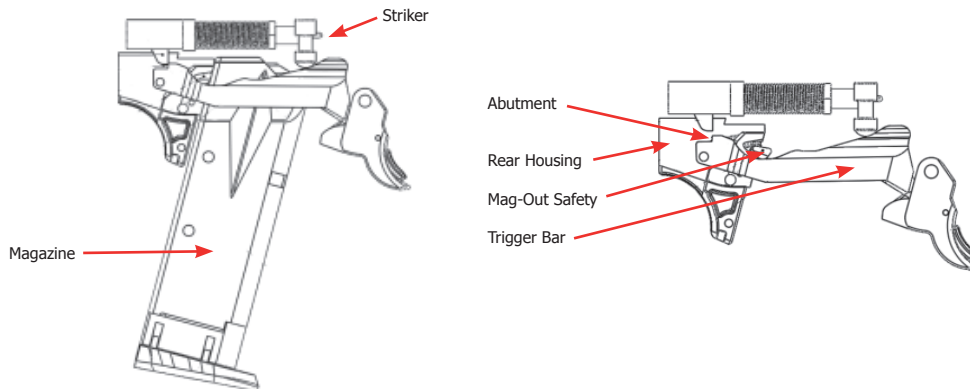




Mag-Out Safety (Trigger Bar Disconnect) For DAO Only

When the magazine is removed from the pistol, the cam, which guides the trigger bar, rotates forward to move the trigger bar out of the path that would allow its abutment to engage the striker. When the trigger is pulled back, the trigger bar will not engage the striker at its abutment, and the gun will not fire.

Replacing the magazine will move the cam allowing the trigger bar to once again engage the striker at its abutment and fire the weapon when the trigger is pulled.



WARNING: Removing the magazine will not unload the chamber and an empty magazine placed into the pistol will allow it to fire.

WARNING: Any safety device can be damaged or fail. No safety device can avert tragedy if safe gun handling rules are not followed. Always follow rules for safe gun handling. Do not assume removing the magazine will make the weapon impossible to fire.

FMK Product Registration

Thank you for choosing an FMK firearm! We hope that your new FMK firearm brings you pride and enjoyment for many years to come. You now have two choices to register, either by filling out the form below and mailing it to FMK, 1025 A Ortega Way, Placentia, CA 92870 or now we offer product registration on-line at <http://fmkfirearms.com/support/product-registration/>. To view our Product Warranty go on-line to <http://fmkfirearms.com/support/warranty/>. Please take a moment to complete the Preferred Product Registration Form.

By completing the registration you will be entitled to:

- **Confirmation of Ownership:** We will maintain a record of your ownership in the event you need this information as proof of purchase.
- **Product Services Information:** This record will assist us in providing prompt and efficient factory service. Also, it will allow us to contact you in the unlikely event a safety notification is required.
- **Product Information:** Periodic updates of new product innovations and special offers that may be of interest to you.

Full Name: _____ Model Number: _____

Address: _____ Serial Number: _____

City: _____ State: ____ Zip: _____ Date of Purchase: _____ Purchase Price: _____

Phone Number: _____ Store Name: _____

E-mail: _____ City: _____ State: ____ Zip: _____

Special Comments:



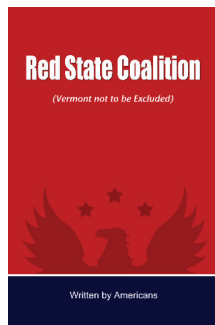
FREE BOOK OFFER!

Red State Coalition

(Vermont not to be Excluded)

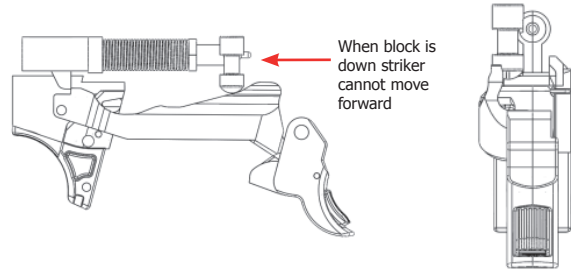
Purchase anything on our online store at www.fmkfirearms.com and receive Red State Coalition FREE! Just enter the code below on the checkout page.

Coupon Code: **RedstateC1**

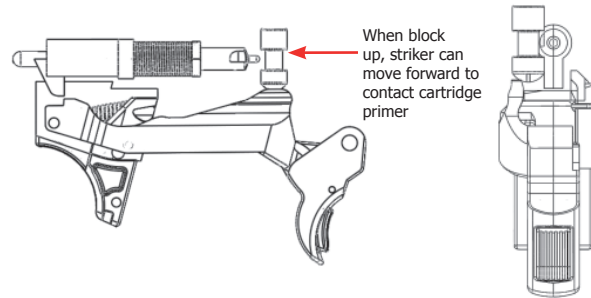


Firing Pin Block

The block prevents the striker from moving forward.



When the trigger is pulled, the trigger bar lobe moves the block upward allowing the striker to move forward after release and protrude through the breach face to strike the cartridge primer discharging the pistol.



WARNING: This feature is designed to prevent the pistol's discharge if it is dropped; however, any mechanical device can fail or become overruled with careless handling. Care must be taken to insure the pistol is not dropped and that the trigger only be activated in accordance with all safe operating protocols.



Loading and Firing

Loading Magazine

To remove the magazine from the pistol, depress the magazine release and remove the magazine.



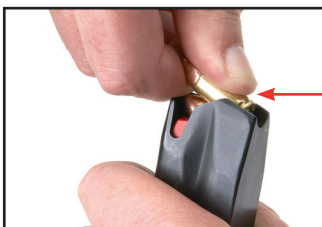
depress the magazine release



remove magazine

To load a cartridge into the magazine:

With the rear end of a cartridge, depress the follower just in front of the feed rails and slide the cartridge back. Repeat with successive rounds. The magazine will hold ten rounds. The magazine base can also be used to depress the follower and successive rounds to make loading easier.



depress the follower



magazine base

Loading Pistol

Insert magazine securely into place. The magazine release button will drop and pop back up after complete insertion. Pressing down on the slide hold lever will release the slide and chamber one round, **READY TO FIRE**.

WARNING: Do not assist the slide in moving forward. Allow it to move forward under full spring pressure to properly load the pistol otherwise a jam may occur. Keep hands clear of slide and barrel; injury can occur if pinched by pistol slide closing with GREAT FORCE.



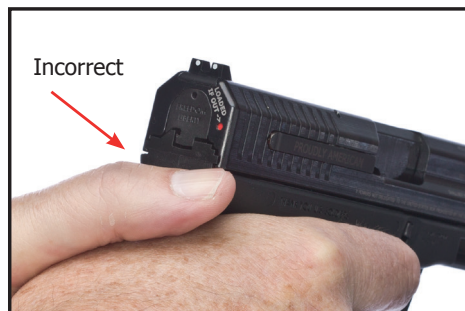
If magazine was inserted with slide in forward position, slide must be pulled back fully and released without assistance to chamber first round, **READY TO FIRE**.

WARNING: The 9C1 G2 and ELITE handgun is designed to use only standard 9mm ammunition designated 9x19mm, sometimes called 9mm Luger or Parabellum or Para. This handgun is NOT designed to use +P ammunition or low quality reloaded ammunition, and under no circumstances should be used with any ammunition generating pressures in excess of standard factory loads.



Firing Pistol

Grip the pistol firmly with finger outside of trigger guard (not on trigger). Acquire target. Maintain a steady stance with elbows locked to insure pistol reloads correctly after firing. Place finger on trigger and pull steadily through full travel; pistol will fire.



WARNING: If firing with two hands, do NOT allow thumb from supporting hand to cross over pistol behind slide. When pistol is fired, slide will move rearward and WILL cause SEVERE INJURY to thumb blocking slide path.

Reloading

Before the last round has been expended from the pistol it is possible to replace the partially or fully exhausted magazine, with a full one, and continue firing without manually retracting the slide (SINCE ONE ROUND REMAINS IN THE CHAMBER ENABLING THE PISTOL TO FIRE).

WARNING: Removing the magazine from the pistol will not completely unload the pistol.

To fully unload pistol:

Depress magazine release and remove magazine. Keep pistol aimed in a safe direction and manually retract slide, carefully angling ejection port to a soft pad on a table or rest where the live round will be ejected.

WARNING: Allowing a live round to fall onto a hard surface, sharp edge, or pointed object could cause round to discharge.



Assembly and Cleaning

Disassembly

WARNING: Always completely unload the pistol prior to disassembly. It is possible to disassemble the ELITE handgun with a round in the chamber. **EVEN WITH THE SLIDE AND BARREL REMOVED FROM THE FRAME, IT IS STILL POSSIBLE TO FIRE A ROUND, IF A LIVE CARTRIDGE IS LEFT IN THE CHAMBER. THIS COULD CAUSE INJURY OR DEATH.**

To remove the slide:



1. Insure the pistol is unloaded and the magazine is removed.



2. Hold the Handgun as shown and slightly retract the slide so the barrel release latch can be moved downward. (Trigger must be decocked).



3. Move the barrel release latch downward with your other hand and allow the slide to move forward under spring pressure.



4. The slide barrel assembly can now be removed from the frame.



5. Holding the slide assembly upside down push the recoil spring slightly forward and lift for removal.



6. The barrel can now be removed from the slide.

To remove the striker assembly:



1. Insert a 1/16" punch into the small hole in the slide end cap and depress slightly. This will allow the end cap to be removed.



2. Slide the slide end cap downward. The striker assembly can now be removed.

No further disassembly of the pistol is required for normal cleaning or maintenance. If further disassembly is required it should be performed by a certified gunsmith.



Assembly

WARNING: Always insure there are no live cartridges in the chamber when assembling.

To replace the striker unit:

1. Slide the striker unit into its hole in the rear of the slide.
2. Depress the rear striker spring retainer with the edge of the slide end cap and slide the end cap up until you feel or hear a click.

To replace the slide assembly:

1. Place the barrel into the slide, into its lock up position.
2. The recoil spring retainer has one large diameter end and one small diameter end. Place the small diameter end into the slide and depress the assembly until it rests on the barrel lug designed to accept the recoil spring assembly.
3. Line up the slide rail grooves with the frame rails and move the slide rearward until the barrel release clicks into place.
4. Move the slide back and forth to ensure smooth operation and assure completed assembly is correct.



Cleaning

Disassemble in accordance with disassembly instructions.
(See page 21)

1. Apply gun solvent with a soft cloth or cleaning patch to all areas fouled by gunshot residue on the slide, frame, barrel, and recoil spring. A small brush works well to apply fluid to small areas inside the frame around the trigger and rear housing.
2. With a barrel brush designed for 9mm pistols, brush the barrel and chamber with cleaning fluid.
3. Wipe all components dry to remove all cleaning fluid.
4. Use light gun oil sparingly on all metal parts to prevent rust and ensure reliable operation. Oil should be applied to all moving surfaces with special attention to the frame rails, trigger bar, and barrel/slide lock up. Also, add a few drops between the extractor and slide, inside the striker tunnel, and around the block. Acid in skin from finger prints can cause rust, so wipe with clean cloth or oil before storage.



WARNING: Ensure the pistol is unloaded before cleaning. Many gun accidents and DEATHS occur by attempting to clean a loaded weapon.



Sights

The 9C1 G2 / 9C1 G2 Plus sights are compatible with most Glock® 19 3rd party sights. Included are two rear sights (one 2 dot, one U-shape) which can be adjusted for windage by drifting the sight left and right by light tap with a steel pin. Also included is one front sight.

The ELITE sights are compatible with most Glock® 19 3rd party sights. Included are two rear suppressor sights and two standard rear sights (one 2 dot, one U-shape) which can be adjusted for windage by drifting the sight left and right by light tap with a steel pin. Also included are two front sights.



Warranty

FMK Firearms warrants to you, the original purchaser of a new firearm, a lifetime warranty from the date of purchase in the United States, your FMK firearm will be free from defects in material and workmanship.

If you make a claim within the warranty period following the instructions given in this warranty, we will, at our option, repair the defect(s), or replace the firearm at no cost to you. If we send you a new firearm, we will keep the defective one.

When you purchase your firearm, complete in full either the online registration form or mail the warranty registration card to us within 30 days of date of purchase. You may either email support@fmkfirearms.com or write to FMK at: FMK Firearms, Inc. Consumer Service Department: 1025 A Ortega Way, Placentia, CA 92870

PLEASE DO NOT RETURN FIREARMS TO THE ABOVE ADDRESS. If we decide that it is necessary for you to return the firearm to the factory or an authorized warranty repair center, the sender must prepay freight. We will not accept C.O.D. shipments. We will not cover damage of your firearm caused by:

- Failure to provide proper care and maintenance
- Accidents, abuse or misuse
- Barrel obstruction
- Hand loaded, reloaded or improper ammunition
- Unauthorized adjustments, repairs or modifications
- Normal wear and tear

FMK Firearms excludes and will not pay incidental or consequential damages under this warranty. By this we mean any loss, expense or damages other than to repair the defects in the firearm or replace the firearm. No implied warranties extend beyond the term of this written warranty. PLEASE NOTE: Some jurisdictions do not allow exclusion of incidental or consequential damages, or limitation on how long an implied warranty lasts, so the above exclusion and limitations may not apply to you. This warranty gives you specific legal rights and you may also have other rights.

NOTICE: It is illegal to ship a firearm with ammunition in the firearm or in the same packaging. Firearms and ammunition must be shipped separately.



FMK 9C1 Series:

- (1) Pistol
- (2) Front Sights, (2) Rear Sights: (1) U-Shape and (1) Two Dot Sight
- (2) Front Suppressor Sights, (2) Rear Suppressor Sights: (1) U-Shape and (1) Two Dot Sight (Elite Series Only)
- (2) Magazines
- (1) Polymer Lockable Case
- (1) Instruction Manual

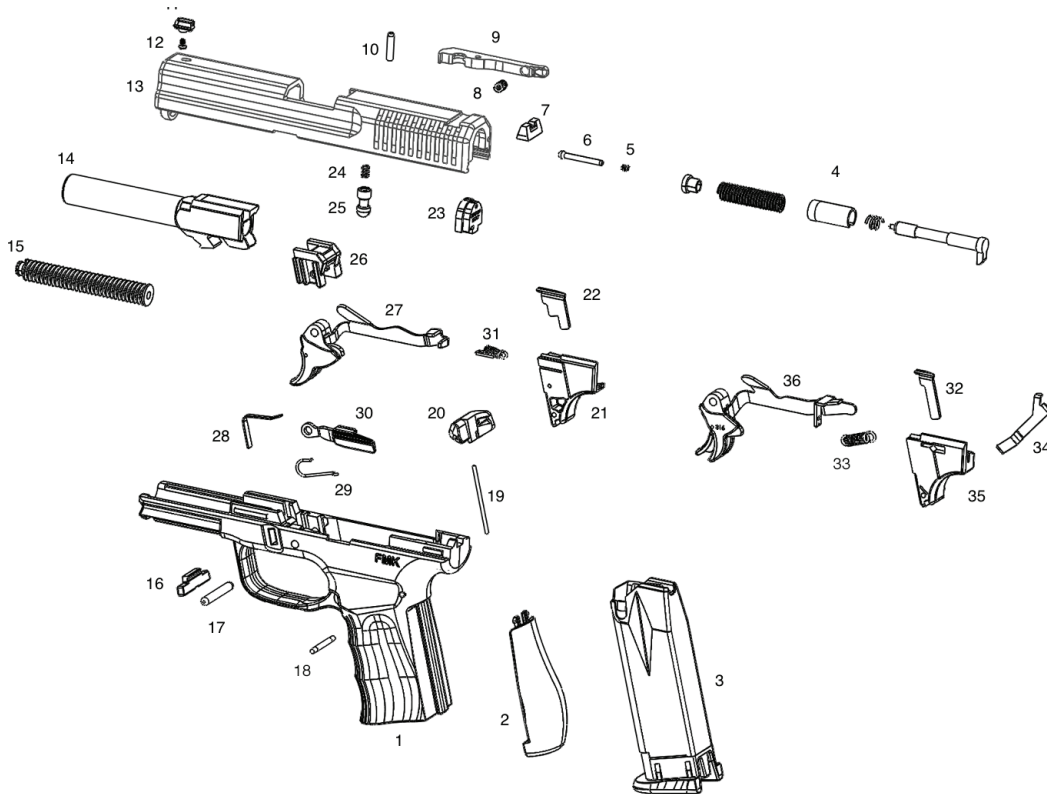


Exploded View

- | | | |
|-------------------------------------|------------------------------------|-------------------------------------|
| (1) Frame | (16) Barrel Release | (31) DAO Trigger Return Spring |
| (2) Back Strap | (17) Trigger Pin | (32) ELITE Ejector |
| (3) Magazine Assembly | (18) Rear Housing Pin | (33) ELITE Trigger Extension Spring |
| (4) Striker Assembly | (19) Magazine Release Spring | (34) ELITE Leaf Spring |
| (5) Chamber Loaded Indicator Spring | (20) Magazine Release | (35) ELITE Rear Housing |
| (6) Chamber Loaded Indicator | (21) DAO Rear Housing/MOS Assembly | (36) ELITE Trigger Bar |
| (7) Rear Sight | (22) DAO Ejector | |
| (8) Extractor Spring | (23) Slide End Cap | |
| (9) Extractor | (24) Block Spring | |
| (10) Extractor Pin | (25) Block | |
| (11) Front Sight | (26) Barrel Guide | |
| (12) Front Sight Screw | (27) DAO Bar Assembly | |
| (13) Slide | (28) Barrel Release Spring | |
| (14) Barrel | (29) Slide Hold Spring | |
| (15) Recoil Spring Assembly | (30) Slide Hold | |

Warning: Broken or worn components should be replaced by a certified gunsmith. Modification to any part could cause this handgun to fire unreliably, causing injury or death.

Do not modify any components!



For My Kountry

For many American citizens who embrace a political philosophy which swings left; collectivism, socialism, and ultimately communism is the idealist utopia they aspire to capture and promulgate across America. For these people, For My Kountry, means to ridicule excellence, to fear prosperity, and to blame others for individual failures.

It is an ideology which springs from mankind's weakest tenets...jealousy and envy. It is an ideology which attempts to tear all down to one low and "equal" or "fair" level. It is an ideology incapable of raising anyone or anything upward.

It is an ideology without any understanding of American culture or our American Founders' dream of creating a country free from government tyranny, open to individual initiative and most important, insuring to all citizens those inalienable rights guaranteed to mankind by God.

At FMK Firearms we relish the audacious task of encouraging fellow Americans to stand on their own, believe in themselves, appreciate our wonderful uniquely American freedoms and remind of those simple but succinct liberties protected by the Bill of Rights.

We feel the American tenets our country was built upon are worthy of defense. We believe we must resist "fundamental change" to these values; and that we must understand our founding principles, and protect them, if we are to insure freedom and opportunity for all Americans. We feel this is something worthy and something noble and something good...

For My Kountry.

“Freedom is never more than one generation away from extinction. We didn't pass it to our children in the bloodstream. It must be fought for, protected, and handed on for them to do the same.

Proudly American

FMK 9C1 SERIES



FMK Firearms, Inc.
1025 A Ortega Way, Placentia, CA 92870
Tel: 1-714-630-0658 Fax: 1-714-646-4465

www.fmkfirearms.com