

*“Those who would give up Essential Liberty to
purchase a little Temporary Safety
deserve neither Liberty
nor Safety”*

- Benjamin Franklin



Franklin Armory®
2246 Park Place, Suite B
Minden, NV 89423
775-783-4313
www.franklinarmory.com



**FRANKLIN®
ARMORY**

F17™ Series RIFLE OWNER'S SAFETY MANUAL

(Revision 8.0, 2020)

F17™ Series Rifle Owner's Safety Manual

This manual covers all HSC-15™, FAI-15™, Libertas™, and F17-L™ Rifles
Patent# 9,746,262 & 9,429,379B2



Manufacturer's Warning:

Read this entire manual before operating the firearm! If this firearm is improperly handled, unintended discharge could result and cause damage, injury, or death. If you do not understand any part of this manual, seek qualified professional help before loading and/or using this firearm. SAFETY IS YOUR RESPONSIBILITY!!!

Warnings Specified by State:

California:




WARNING

Children are attracted to and can operate firearms that can cause severe injuries or death. Prevent child access by always keeping guns locked away and unloaded when not in use. If you keep a loaded firearm where a child obtains and improperly uses it, you may be fined or sent to prison.



ADVERTENCIA

A los niños los atraen las armas de fuego y las pueden hacer funcionar. Ellos pueden causarse lesiones graves y la muerte. Evite que los niños tengan acceso a las armas de fuego guardándolas siempre con llave y descargadas cuando no las esté utilizando. Si usted tiene un arma de fuego cargada en un lugar en que un niño tiene acceso a ella y la usa indebidamente, le pueden dar una multa o enviarlo a la cárcel.

 **WARNING:** This product can expose you to chemicals including lead, which are known to the State of California to cause cancer and birth defects or other reproductive harm. For more information, go to — www.P65Warnings.ca.gov.

Warning: Do not closely peer into the ejection port when clearing a misfeed. If a cartridge rim were to be struck by a hard object such as another cartridge, the rim could ignite causing a case head rupture. A case head rupture could cause severe injury or death to you or others around you.

Warning: Do not attempt to reuse damaged ammunition.

5. After you are certain that all ammunition is cleared, you may reload the firearm per the instructions under "Loading the Firearm."

Locking Devices:

Every Franklin Armory® firearm is packaged with a cable lock certified by the California Department of Justice. Please follow the directions that accompany the lock for proper use.



WARNING

Firearms must be handled responsibly and securely stored to prevent access by children and other unauthorized users. California has strict laws pertaining to firearms, and you may be fined or imprisoned if you fail to comply with them. Visit the website of the California Attorney General at <https://oag.ca.gov/firearms> for information on firearm laws applicable to you and how you can comply.

Prevent child access by always keeping guns locked away and unloaded when not in use. If you keep a loaded firearm where a child obtains and improperly uses it, you may be fined or sent to prison.

If you or someone you know is contemplating suicide, please call the national suicide prevention lifeline at 1-800-273-TALK (8255).



ADVERTENCIA

Las armas de fuego deben manejarse de manera responsable y almacenarlas de manera segura para evitar el acceso de los niños y otros usuarios no autorizados. California tiene leyes estrictas relativas a las armas de fuego, y puede ser multado o encarcelado si no cumple con ellas. Visite el sitio web del Procurador General de California en <https://oag.ca.gov/firearms> para obtener información sobre las leyes de armas de fuego aplicables a usted y cómo puede cumplirlas. Evite el acceso de los niños manteniendo siempre las armas almacenadas y descargadas cuando no estén en uso.

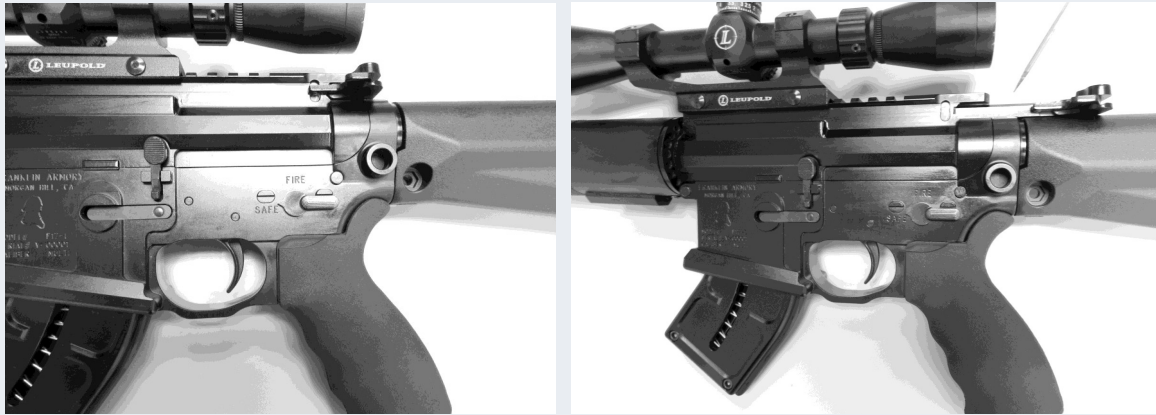
Si mantiene un arma de fuego cargada donde un niño la puede obtener y usarla incorrectamente, puede recibir una multa o ser enviado a prisión.

Si usted o alguien que conoce está contemplando el suicidio, llame a la línea nacional de prevención de suicidio al 1-800-273-TALK (8255).

3. After one minute, unload the firearm per the directions noted under “Unloading the Firearm” and inspect the rim on the live round that did not fire. Evaluate whether it is just a bad primer or if the primer was adequately struck by the firing pin. A light firing pin strike on the rim may be a result of a damaged or worn firing pin or a dirty firing pin chamber.

If a “misfeed” or “jam” occurs....

1. Keep the muzzle pointed in a safe direction.
2. Place the safety selector lever in the “Safe” position.



3. Pull the charging handle to the rear, and remove the magazine.



4. Visually inspect the action and chamber to make sure there is not any ammunition or any other substance in the action.

Connecticut:

“UNLAWFUL STORAGE OF A LOADED FIREARM MAY RESULT IN IMPRISONMENT OR FINE.”

Florida:

“IT IS UNLAWFUL, AND PUNISHABLE BY IMPRISONMENT AND FINE, FOR ANY ADULT TO STORE OR LEAVE A FIREARM IN ANY PLACE WITHIN THE REACH OR EASY ACCESS OF A MINOR UNDER 18 YEARS OF AGE OR TO KNOWINGLY SELL OR OTHERWISE TRANSFER OWNERSHIP OR POSSESSION OF A FIREARM TO A MINOR OR A PERSON OF UNSOUND MIND.”

Maine:

“ENDANGERING THE WELFARE OF A CHILD IS A CRIME IF YOU LEAVE A FIREARM AND AMMUNITION WITHIN EASY ACCESS OF A CHILD, YOU MAY BE SUBJECT TO FINE, IMPRISONMENT OR BOTH. KEEP FIREARMS AND AMMUNITION SEPARATE. KEEP FIREARMS AND AMMUNITION LOCKED UP. USE TRIGGER LOCKS.”

Maryland:

“WARNING: Children can operate firearms which may cause death or serious injury. It is a crime to store or leave a loaded firearm in any location where an individual knew or should have known that an unsupervised minor would gain access to the firearm. Store your firearms responsibly!”

Massachusetts:

“WARNING FROM THE MASSACHUSETTS ATTORNEY GENERAL: This handgun is not equipped with a device that fully blocks use by unauthorized users. More than 200,000 firearms like this one are stolen from their owners every year in the United States. In addition, there are more than a thousand suicides each year by younger children and teenagers who get access to firearms. Hundreds more die from accidental discharge. It is likely that many more children sustain serious wounds, or inflict such wounds accidentally on others. In order to limit the chance of such misuse, it is imperative that you keep this weapon locked in a secure place and take other steps necessary to limit the possibility of theft or accident. Failure to take reasonable preventive steps may result in innocent lives being lost, and in some circumstances may result in your liability for these deaths.”

“IT IS UNLAWFUL TO STORE OR KEEP A FIREARM, RIFLE, SHOTGUN OR MACHINE GUN IN ANY PLACE UNLESS THAT WEAPON IS EQUIPPED WITH A TAMPER-RESISTANT SAFETY DEVICE OR IS STORED OR KEPT IN A SECURELY LOCKED CONTAINER.”

New Jersey:

“IT IS A CRIMINAL OFFENSE TO LEAVE A LOADED FIREARM WITHIN EASY ACCESS OF A MINOR.”

New York City:

“THE USE OF A LOCKING DEVICE OR SAFETY LOCK IS ONLY ONE ASPECT OF RESPONSIBLE FIREARMS STORAGE. FOR INCREASED SAFETY, FIREARMS SHOULD BE STORED UNLOADED AND LOCKED IN A LOCATION THAT IS BOTH SEPARATE FROM THEIR AMMUNITION AND INACCESSIBLE TO CHILDREN AND OTHER UNAUTHORIZED PERSONS.”

North Carolina:

“IT IS UNLAWFUL TO STORE OR LEAVE A FIREARM THAT CAN BE DISCHARGED IN A MANNER THAT A REASONABLE PERSON SHOULD KNOW IS ACCESSIBLE TO A MINOR.”

Texas:

“IT IS UNLAWFUL TO STORE, TRANSPORT, OR ABANDON AN UNSECURED FIREARM IN A PLACE WHERE CHILDREN ARE LIKELY TO BE AND OBTAIN ACCESS TO THE FIREARM.”

Wisconsin:

“IF YOU LEAVE A LOADED FIREARM WITHIN THE REACH OR EASY ACCESS OF A CHILD YOU MAY BE FINED OR IMPRISONED OR BOTH IF THE CHILD IMPROPERLY DISCHARGES, POSSESSES, OR EXHIBITS THE FIREARM.”

BASIC RULES FIREARM SAFETY

1. Always handle your firearm as if it was loaded.
2. Always keep the muzzle pointed in a safe direction. Never point your firearm at anything you do not intend to destroy.
3. Learn the mechanical and handling characteristics of the firearm you are using.
4. Be sure that the barrel is clear of any obstructions before shooting. Even excess oil or a spider web can cause a problem. Never fire with water in the barrel.
5. Always make sure everyone in the vicinity is wearing eye and ear protection suitable for firearm use prior to shooting.
6. Never use alcohol or drugs when shooting. If you are using prescription medication, contact your doctor to determine your fitness prior to using the firearm.
7. Keep away from the ejection port when firing as hot shell cases will be ejected with significant force
8. Never place your fingers in the ejection port. The carrier may slide forward under spring pressure and injure you.
9. Never climb a tree or fence with a loaded firearm.
10. Do not store, carry, drop, drive a vehicle, bicycle, walk or run with a live round in the chamber. A gun that is dropped, bumped, or jarred with a live round in the chamber might accidentally discharge, even with the safety on, causing injury to you or someone else.

7. When done firing, place the safety selector lever to “Safe.”



Clearing a Misfire:

If for any reason there is any indication that the firearm is not performing properly, stop firing, point the muzzle in a safe direction, and unload the firearm. Do not use the firearm again until it has been evaluated by a knowledgeable gunsmith or Franklin Armory® armorer.

If a cartridge does not fire when it should have....

1. Keep the muzzle pointed in a safe direction for at least one minute. The possibility of a delayed or “hang fire” may exist.
2. Place the safety selector lever in the “Safe” position while waiting.





4. Place the safety selector lever to “Fire” and maintain strict muzzle discipline.
5. Gently pull the trigger with your index finger until it fires.



Warning: Like all semiautomatic firearms, this firearm will automatically feed another cartridge into the chamber after it has fired and ejected the first cartridge.

6. In order to fire a successive round, release and gently pull the trigger again. This activity can be repeated until the magazine is empty.

11. Never pull the trigger or place your finger inside the trigger guard until you have sighted your target and are ready to shoot.
12. Be sure of your target and what is beyond it before you shoot.
13. Never shoot over a ridge, or skyline as a bullet may travel 3 miles or more.
14. Make sure that your backstop is sufficient to prevent the bullet from over-penetrating.
15. Do not shoot at a hard surface or water; it may ricochet in an unsafe direction.
16. Never rely on your firearm’s safety mechanism to justify careless handling.
17. Always keep your selector set to “Safe” prior to target acquisition when the firearm is loaded.
18. Never discharge the weapon near flammable material. Muzzle flash may ignite a fire or cause gasses or liquids to explode.
19. Never force a jammed action as the jammed round may explode. Use of the forward assist should take minimal pressure. It is likely that the firearm is in need of inspection and cleaning before additional use.
20. If your firearm failed to fire after the trigger was pulled, wait at least 1 minute before clearing. Continue to keep the firearm pointed in a safe direction. Water, oil, or other contaminants in the ammunition can cause a delayed fire.
21. If you notice a difference in sound or recoil while firing, stop immediately and clear the firearm. A “squib” or sub-standard round may have fired and the bullet may be stuck in the bore. If another shot is fired with the bore obstructed, the barrel may bulge or burst, causing injury or even death to yourself and/or others in the vicinity.
22. Sustained fire will heat up the barrel and receiver to the point that it may cause burns when touched. Never shoot your firearm to the point that it is too hot to touch as it may, in rare occasions, also create an accidental discharge by “cooking off” ammunition in a hot chamber even though the trigger was never pulled. In addition, excessive rapid fire may cause premature wear of the barrel.
23. This firearm may discharge accidentally if it is dropped or struck with sufficient force while a live cartridge is in the chamber.
24. Do not shoot your firearm around animals unless they are trained accordingly. They may react to the sound of the discharge and cause an accident.
25. Always unload the magazine and chamber, lock the bolt back, and physically & visually check the weapon is totally clear of ammunition prior to handing someone an unloaded firearm.

26. Always check that the status of the firearm when someone hands you an “unloaded” gun.
27. Firearms should be unloaded when not in use and secured from unauthorized access or use. Never leave a firearm unsecured where children or prohibited persons may gain access to it.
28. Be sure your firearm is unloaded before cleaning, transporting, or storing it.
29. Do not alter or modify any components of your firearm, and be sure to have it cleaned and serviced regularly. (Altering or modifying your firearm will void any warranty claim.)
30. Use of substandard ammunition will void the warranty and may damage your firearm. Only use quality, clean burning, commercial ammunition designed and specified for your firearm that meets Sporting Arms and Ammunition Manufacturers’ Institute (SAAMI) specifications. Poor quality ammunition that generates excessive fouling may cause your firearm to malfunction and necessitate additional cleaning.
31. Always store your firearm and ammunition in separate locked vaults where children will not have access.
32. If you teach your children to shoot, teach them to respect firearms and use them properly. Supervise them closely.
33. Never abuse your firearm by using it for some purpose other than what it was designed to do.
34. Never dry fire when the upper receiver is not in place. This action may crack the lower receiver.
35. Discharging firearms in poorly ventilated areas, cleaning firearms, or handling ammunition may cause birth defects, reproductive harm, cancer, and other serious physical injury. Have adequate ventilation at all times. Wash hands thoroughly after exposure.
36. Be sure the Cam Pin is installed in the Bolt Group. The firearm can fire and may explode if it is not installed. Any claim of warranty will be void in the event that the firearm is fired without the Cam Pin properly installed.
37. If you do not understand any comments noted above, seek help from your licensed retailer or professional training prior to use.

10. After the firearm is loaded you may close the ejection port cover to reduce the likelihood of sand, dirt, or debris from entering the action.

Warning: Always load the firearm from the magazine. Never attempt to load the firearm by inserting a live round through an open ejection port.



Firing the Firearm:

Warning: Before attempting to fire your Franklin Armory® firearm, it is critical that the trigger system be clearly identified. If your firearm is equipped with a brightly colored label around the three-position safety selector, please read the instructions that shipped with that trigger. If your firearm has a two-position selector, please follow the instructions herein.

1. Firmly hold the firearm pistol grip with one hand being sure to keep your finger out of the trigger area until you are ready to shoot.



2. Grab the handguard with your remaining hand.
3. Use both hands to bring the firearm up to a level position and firmly seat the buttstock to your shoulder high enough so that you do not have to crane your head over too far to see your sights.

8. When the charging handle is released, the carrier will strip a round off of the magazine and chamber the round. Keep the firearm safety selector lever on “Safe” and pointed in a safe direction until you are ready to fire.

Warning: Do not carry the firearm with a loaded round in the chamber if the firearm may be accidentally dropped or struck with significant force. Due to the fact that this firearm is equipped with a floating firing pin, it may accidentally discharge if dropped or struck hard enough even if the safety selector lever is set on “Safe.”

9. If the bolt does not fully seat after the bolt carrier has slid forward, articulate the forward assist plunger so that the bolt goes into battery.



Warning: The force necessary to articulate the forward assist is slight. If it takes significant force to push the forward assist button, stop what you are doing and disassemble the firearm to diagnose why the firearm is not operating correctly. Often dirt, fouling, or improper ammunition may be the cause. Make sure that the chamber is not in any way encumbered before proceeding.

SPECIAL RIMFIRE WARNING: THE CARRIER ON THE F17™ SERIES WAS DESIGNED TO FUNCTION AT THE VERY END OF THE BOLT CARRIER TRAVEL WHERE THE BOLT BEGINS TO ENGAGE THE BARREL EXTENSION LUGS. THIS WAS PURPOSEFULLY DONE TO PREVENT THE FORWARD ASSIST FROM HAVING THE OPPORTUNITY TO CRUSH A LIVE RIMFIRE CARTRIDGE WHILE OUT OF BATTERY. IF YOUR FORWARD ASSIST IS ABLE TO FORCE THE CARRIER FORWARD ANY SOONER THAN THAT, THEN IMMEDIATELY RETURN THE FIREARM TO THE FACTORY. NEVER TRY TO USE THE FORWARD ASSIST IF THE FIREARM HAS A JAM SUCH AS A STOVE PIPE OR DOUBLE FEED.

THE FORWARD ASSIST ON THE F17-L™ SERIES IS DESIGNED TO BE USEFUL IN SITUATIONS WHERE SLIGHT RESISTANCE MUST BE OVERCOME IN ORDER TO ALLOW THE EXTRACTOR TO RIDE OVER THE CARTRIDGE RIM AND THE BOLT TO BE COMPLETELY IN BATTERY.

Manufacturer’s Warning:

Please be sure to contact your local licensed firearms retailer, state department of justice, attorney general, local police or sheriff’s office, and/or a licensed attorney to ascertain if there have been any additional changes in laws pertaining to ownership of firearms within your locality. Firearms laws change so rapidly and in so many places that it is impractical for the manufacturer to provide notification to the firearms owner or user of every legal nuance in every locality. It is the user’s responsibility to know all laws in their jurisdiction prior to purchasing or using this firearm

Manufacturer’s Warning:

This is a semiautomatic firearm! Every time the trigger is pulled, a new round will automatically be loaded into the chamber until all ammunition is depleted. Removing the magazine may not completely unload the firearm. The user must also lock the bolt back and check that the chamber is clear. This firearm does not utilize a magazine disconnect. If a round is left in the chamber and the trigger is depressed, the ammunition will discharge *even if the magazine is removed!* Be aware that firearms equipped with a Binary Firing System™ or Release Firing System™ operate differently and users must follow the specific directions that accompany those products.

Manufacturer’s Notice:

Franklin Armory® will not be responsible for damage, injury, or death resulting from intentional or accidental discharge of this firearm due to improper handling, maintenance, alterations, or for any other reason.

Manufacturer’s Notice:

This firearm was inspected and quality checked multiple times prior to leaving the factory. However, we cannot guarantee that it has not been damaged or tampered with after it has left our facility. Therefore, it is important that the purchaser of this firearm inspect the firearm carefully prior to using it. If anything appears deficient, do not fire the weapon and contact your licensed retailer immediately.

Manufacturer’s Notice:

This manual should always accompany the firearm. If the firearm is transferred or lent to someone else, be sure that the person is legally allowed to receive the firearm and make sure the person reads the manual prior to shooting the firearm. Additional manuals are available and can be downloaded online at: www.franklinarmory.com

Manufacturer's Warning:

This product from Franklin Armory® is defined by the Alcohol, Tobacco, and Firearms Division of the Federal Government as a firearm. By definition, this product is POTENTIALLY LETHAL!

Manufacturer's Warning:

Any unusual force applied to the firearm through a use that is inconsistent with the intended design parameters of this firearm can possibly cause premature failure.

Manufacturer's Warning:

This firearm has an external safety device that can be toggled from "Safe" to "Fire." With the firearm on "Fire," never depress the trigger unless you intend to fire the firearm. If the safety is ever found to be defective for any reason, immediately unload the firearm. DANGER of an unintentional discharge exists if the firearm remains loaded with an inoperable safety. If the safety is defective, do not use the firearm again (or allow anyone else to have access to it) until a qualified gunsmith or Franklin Armory® armorer can properly repair the deficiency.

Your firearm may have also been equipped from the factory with a Binary Firing System™ or Release Firing System™. If your firearm is so equipped, it will have a three position safety selector and a brightly colored selector indicator. (Red for BFS™, Yellow for RFS™.) The BFS™ and RFS™ can be toggled to "Safe," "Semi," or the third position labeled "Binary" or "Release" depending on the model. Please be sure to read the supplementary directions for these accessories prior to using the firearm.

Lead Exposure Warning:

Ammunition used in this firearm often contains lead. The use of this ammunition may expose you to lead. Lead or lead compounds are known to the State of California to cause cancer, birth defects, reproductive toxicity, and other serious physical injury. Those who clean firearms should take protective measures to avoid contact or exposure to such chemicals.

Warranty Notice:

Franklin Armory® will provide service for defects in materials or workmanship at no charge to the purchaser for a period of one year from the date of sale of any Franklin Armory® product. Be sure to retain your sales receipt in order to demonstrate the proof of purchase date.

FOR WARRANTY REPAIR PLEASE CONTACT CUSTOMER SERVICE AT: 775-783-4313

4. Repeat step 3, placing additional cartridges on top of each other until as many as 10 live rounds are in the magazine.



5. Prior to inserting the final round into the magazine, users may find it convenient to use a tool to temporarily compress the magazine spring. This action will better align the cartridges so the 10th round will slide in a little easier.
6. Insert the magazine into the magazine well with the bullet end of the cartridges pointing forward until the magazine catch engages the magazine. Pull down on the bottom of the magazine to confirm that it is firmly seated.



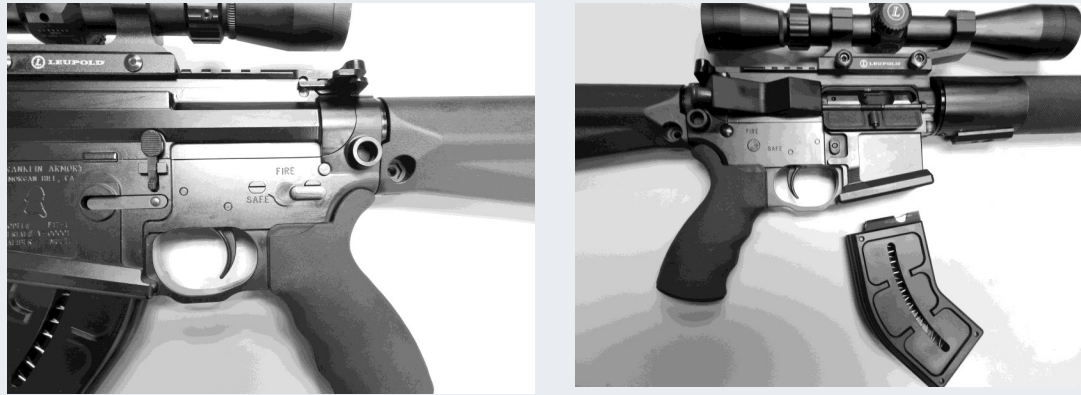
7. Pull the charging handle back all the way, and release it. It is important to allow the charging handle to move forward with full force. Slowing the charging handle down will prevent the carrier from going into battery.



Loading the Firearm:

Warning: Prior to loading the firearm be sure to read, understand, and follow the “Basic Rules of Firearm Safety” listed above. Do not load the firearm until you are ready to use it. Always point your muzzle in a safe direction.

1. Place the firearm safety selector on “safe.”



2. Remove the magazine.

3. Hold the magazine with your weak hand. With your strong hand, use your thumb to push a live cartridge straight down against the magazine follower. When the spring loaded magazine follower has been depressed far enough, you will be able to push the live round underneath the feed lips.



NOTE: Be sure to orient the live cartridges in the magazine so that the bullets are pointing forward and the case rims are positioned adjacent to the spine of the magazine. Also ensure that each cartridge in the magazine does not slip over the rim of the cartridge beneath it as this will cause a double feed upon firing.

Shipping Notice:

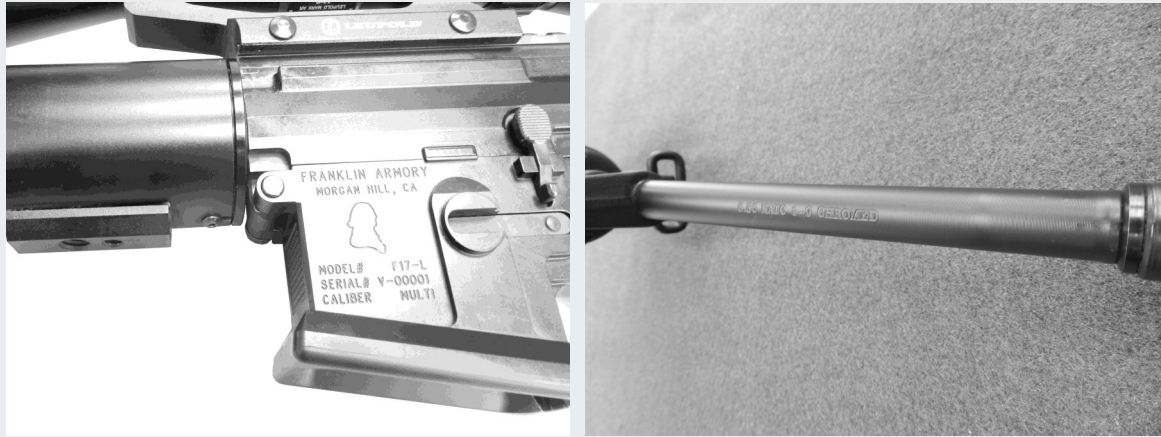
It is illegal to ship a firearm with ammunition in the same packaging. It is also illegal to ship a firearm with serial numbers that have been obliterated.

Exclusions From Warranty:

1. If this firearm has been disassembled further than what is necessary for basic “Field Strip” maintenance, and if damage has occurred as a result of improper disassembly, reassembly, or use, then the purchaser shall forfeit any claim. Further, the firearm owner must accept full responsibility for the correct reassembly and functioning of all parts, including replaced parts.
2. This firearm is intended to be used with expertly loaded ammunition adhering to specifications set by the Sporting Arms and Ammunition Manufacturers’ Institute. (SAAMI) Franklin Armory® can, at it’s sole discretion, void any obligation to service the firearm or any claim if any non-SAAMI specified ammunition is employed.
3. The following activities are not allowed:
 - (a) With the upper removed, the trigger should never be depressed so as to allow the hammer to strike the lower receiver.
 - (b) Never apply excessive heat to the firearm or any component parts to the point that it may affect the hardening surface treatments.
 - (c) Never apply and leave corrosive or abrasive agents on any surfaces.
 - (d) Never use corrosive ammunition.
 - (e) Never disable the safety.
 - (f) Never fire the carbine without the Cam Pin properly installed.
 - (g) Do not excessively dry fire this firearm.
 - (h) Never use foam cleaning agents
4. Any damages associated with the possession and/or use of any Franklin Armory® product are limited to, and may not exceed, an amount equivalent to the Manufacturer’s Suggested Retail Price (MSRP) of the firearm. Any consumer that intends to purchase a Franklin Armory® product hereby agrees to this limitation as a precondition of the sale.
5. In no way shall Franklin Armory® be responsible for incidental or consequential damages related to economic loss, injury, death, or property damage, even if such damages are as a result of a breach of this warranty, negligence or otherwise.

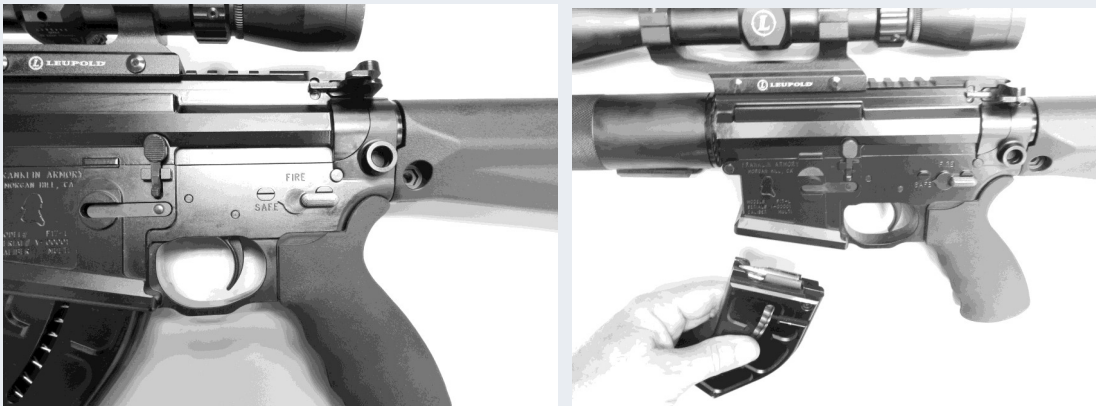
Model & Caliber Identification:

The Franklin Armory® name and model designation can be found on the left side of the lower receiver outside the magazine well. The serial number and caliber are also found at this location. All Franklin Armory® firearms are marked “multi” caliber in case users switch upper receivers to different calibers such as 17 WSM, 204 Ruger, 5.56 NATO (.223 Remington,) 223 WSSM, 243 WSSM, 25 WSSM, 6.5 Grendel, 6.8 Remington Special, 300 Blackout, 308 Winchester/7.62x51, 7.62x39, and 450 Bushmaster. To eliminate confusion, users are instructed to look at the top plane of the barrel of their firearm to ascertain the specific caliber designation.



Unloading the Firearm:

1. To check that the firearm is unloaded, place the safety selector lever on “Safe” and be sure to point the firearm in a safe direction at all times



2. Remove the magazine, and pull the charging handle all the way back.
3. Keep the charging handle pulled back, and look through the ejection port. Make sure that there is a clear chamber. There should not be any cartridges or foreign material in the chamber area.

4. Be sure to inspect the firearm for wear, cracks or any other deficiencies while reassembling the rifle. If any deficiencies are found, be sure to have the firearm inspected by a knowledgeable gunsmith or Franklin Armory® armorer prior to using the firearm again. Also, be sure to secure the firearm so that no one else uses it until the deficiency is resolved.

Storage of the Firearm:

If the firearm is to be put in storage, be sure not to encase it in any container that will attract moisture such as a leather case. Do not plug the barrel since this may cause moisture accumulation. If the firearm is to be stored for an extended period of time, a high-quality anti-rust, preservative, lubricant should be liberally applied to all metal parts, inside and out. Be sure to remove these lubricants by cleaning the firearm prior to placing it in service again.

Proper Ammunition:

The firearm is designed to use ammunition specified by the Sporting Arms and Ammunition Manufacturers’ Institute (SAAMI.) Only use SAAMI spec ammunition that your firearm is chambered in.

Warning: Do not use any ammunition other than the ammunition your firearm is chambered in! (See barrel markings for specific chambering.)

Collapsible Stock:

The firearm is sometimes equipped with a six position collapsible stock. To change the position on the collapsible stock, depress the lever underneath the stock and slide the stock forward or aft on the receiver extension tube until it is placed at the desired location. Release the lever and it should lock into place. If it does not lock into place, slide the stock further until it snaps into one of the six pre-positioned points.

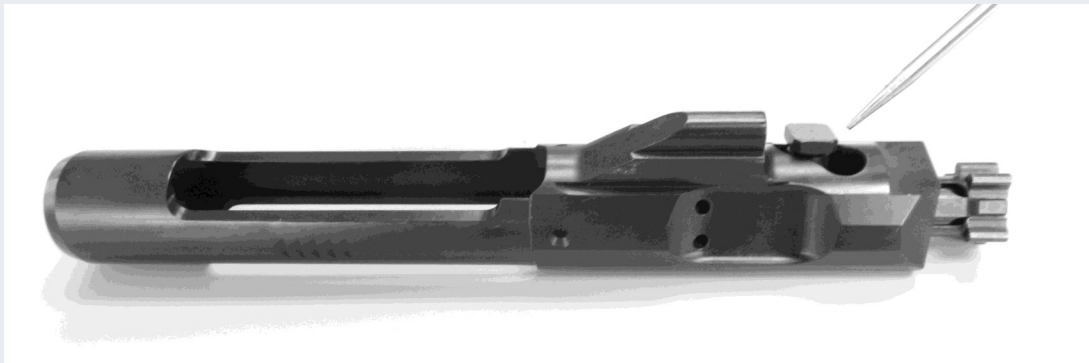


This collapsible buttstock is designed to have tolerance to allow for operation if fouled by small amounts of sand or dirt. However, from time to time the collapsible buttstock may require cleaning in order to function properly.

4. Use a chamber brush specifically designed for the 17 WSM chamber to remove all fouling from the chamber.
5. Wipe away fouling with a properly sized flannel chamber patch or similar product.
6. Repeat steps four and five until all residue is removed.
7. After the barrel has been cleaned, use a very light coat of lubricant to protect the bore.
8. Remove all carbon residue from the extractor, bolt, firing pin, firing pin chamber, carrier, charging handle, and upper receiver. Specifically designed “pipe cleaners” and cue tips will aid in removing fouling from many of these areas.
9. It is critical that the breech face be kept perfectly clean to ensure solid extraction.
10. Wipe down the firearm and component parts with a soft cloth.
11. After cleaning, use a high-quality firearms specific lubricant such as Slip 2000 EML to lightly coat the external parts. Do not leave any obvious finger prints on the metal surfaces as finger moisture may lead to corrosion.

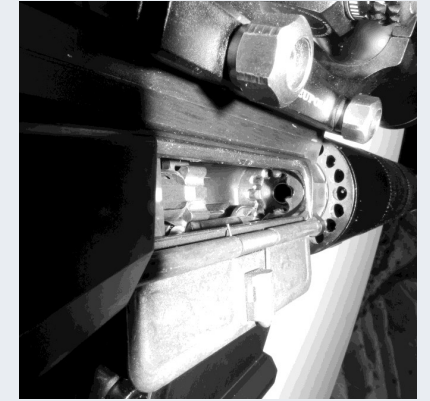
Reassembly of the Firearm:

1. Reassemble the firearm in the reverse order that it was taken apart.
2. Always make sure that the cam pin is installed correctly.



Warning: The firearm can fire and may explode if the cam pin is not installed into the bolt carrier. Failure to reassemble the bolt carrier without the cam pin will result in damage to your firearm and may potentially injure you and others around you. It is your responsibility to make sure that the cam pin is installed correctly.

3. Lightly lubricate all metal parts during reassembly.



Warning: Never allow a finger to enter the ejection port. If the bolt carrier were to slide forward, it would have considerable force and cause a painful incident!

Field Stripping the Firearm:

Prior to field stripping the firearm, follow the directions above for “Unloading the Firearm.”

Warning: Wear safety glasses when field stripping the firearm.

Warning: Never disassemble the rifle further than prescribed herein.

1. Place the safety selector lever on “Safe,” and make certain that the firearm is unloaded per the instructions on the preceding page.
2. Next, ensure that the bolt carrier group is in a forward position, and remove the magazine.



Warning: Never allow a finger to enter the ejection port. If the bolt carrier were to slide forward, it would have considerable force and cause a painful incident!

3. Push the takedown pin on the left side so that it will slide out to the right side. The pin is designed to stop its travel just short of falling completely out. This action, when completed, will allow the upper receiver to pivot forward.
4. For convenience, the pivot pin may be pushed from left to right (just like the take down pin) and the upper receiver will then be separated from the lower receiver.

Warning: Never dry fire the firearm when the upper and lower are not fully assembled. The steel hammer will hit the rear of the aluminum magazine well and eventually cause it to crack.



5. Slowly pull the charging handle back and remove the bolt carrier assembly. Be careful not to drop the bolt out as the charging handle comes back.



6. Remove the charging handle by sliding the charging handle to the point where the “ears” (or protruding tabs) on the charging handle can slip through the keyway on the upper receiver. When the charging handle is extended out approximately 4.4” from the upper receiver, the ears on the charging handle should be lined up and can slide up through the keyway.

Be sure to use cleaning supplies specifically designed for the exact chamber and bore. Your firearms retailer will likely be able to help you in selecting your cleaning products. Follow the instructions that accompany your cleaning products.

Maintenance of your firearm is classified into two major categories. “Routine maintenance” is expected to be performed by the firearm owner. “Periodic maintenance” is expected to be performed by a gunsmith or Franklin Armory® armorer only. Routine maintenance is to be performed as prescribed below. Periodic maintenance must be performed every 5 years or 10,000 rounds, whichever comes first.

Always perform routine maintenance on the firearm after it has been exposed to the elements such as water, dirt, sand, or extreme humidity. Routine maintenance of the firearm is essential to retain proper functioning of your firearm. The firearm should be thoroughly cleaned after each day that it is used. This firearm uses a gas piston system to cycle the action. Even so, carbon build up may occur in several places. Excessive carbon build up is the leading cause of malfunctions in any AR type rifle, so it is imperative that the firearm be maintained on a regular basis. We recommend that the firearm be field stripped, cleaned, and lubricated at least every 500 rounds for proper functioning. We also recommend that the bolt carrier group be lubricated every 100 rounds. The quality of ammunition and propellant used may affect the need to clean more or less frequently.

Warning: Always have proper ventilation while cleaning the firearm. Cleaning a firearm in poorly ventilated areas, discharging firearms, or handling ammunition may result in exposure to lead and other substances known to cause birth defects, reproductive harm, and other serious physical injury. Wash hands thoroughly after exposure.

Warning: If improper solvents are used, damage to the firearm finish may occur. Use of strong ammonia or alkaline type solvents is not recommended for this firearm. **DO NOT USE FOAM CLEANERS!**

1. Use a properly sized bore brush to remove fouling from the bore. Always run the brush in from the breach and not the muzzle.
2. Wipe away the fouling with a properly sized flannel bore patch.
3. Repeat steps one and two until all residue is removed.

17. All F17™ series firearms are shipped with free float handguards such as the TML-7™ and TML-12™. Rarely the handguard tube may be removed so that the piston and surrounding areas can be wiped down. Please note that the TML-12™ will have three locking screws while TML-7™ does not utilize any. Both handguards are set in place with thread locking compounds. Heat will be required in order to remove the components. It is recommended that mild thread locker be utilized during reinstallation of the handguard tube.



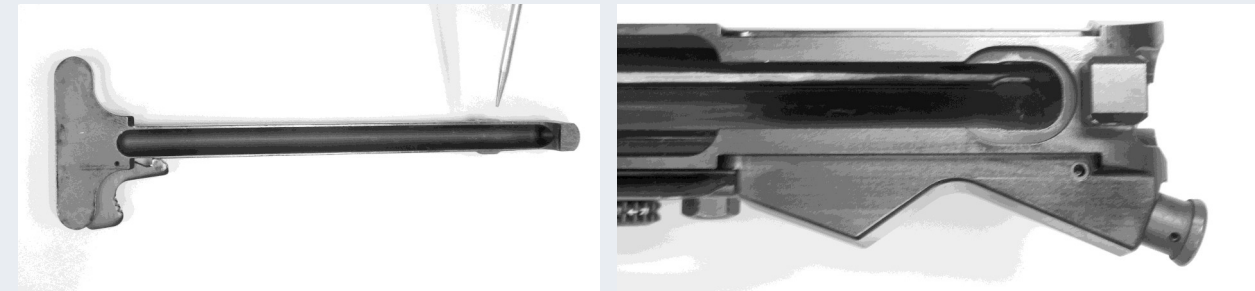
Warning: Never disassemble your firearm beyond what has been described herein. To do so will void the warranty. Seek out a qualified gunsmith or Franklin Armory® armorer if your firearm is in need of further disassembly.

Cleaning and Lubricating your Firearm:

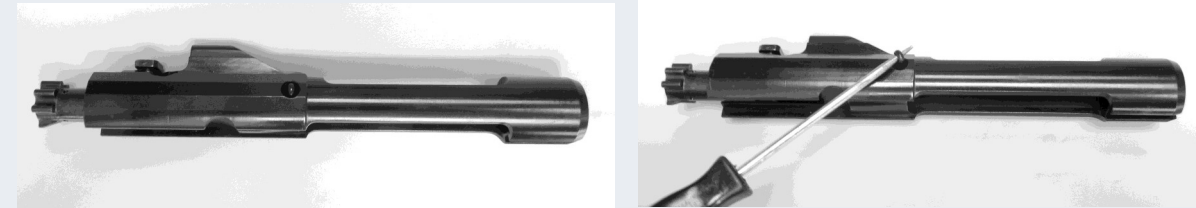
Before cleaning or lubricating your firearm, follow the directions specified above for “Unloading the Firearm” & “Field Stripping the Firearm.”

Be sure to clean the firearm prior to initial use. The reason for this is that the metals (including the bore and chamber) have been treated with special preservatives at the factory that protect the firearm during shipping and storage. These preservatives should be wiped clean with a flannel patch prior to initial use.

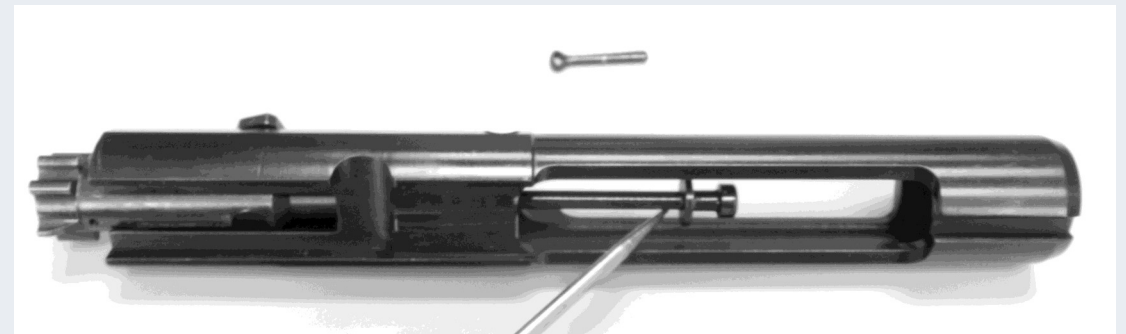
While there are many quality products in the marketplace, Franklin Armory® recommends Slip2000 products for cleaning, lubricating and maintaining your firearm. Gun Lube and EWL are very effective lubricants. Whatever you chose, be sure to use lubricants applicable for the intended environment. Some other oils may slow or halt the operation of the firearm in extremely cold environments. **DO NOT USE FOAM CLEANERS!**



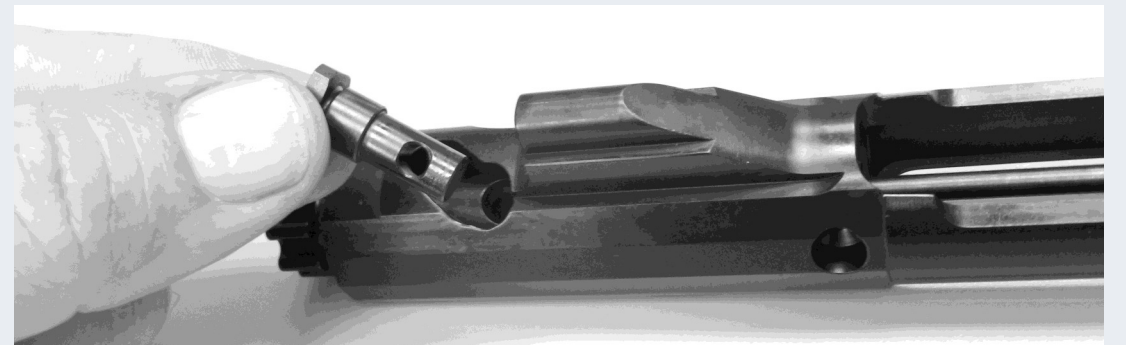
7. To field strip the bolt carrier group, make sure that the bolt is in the forward or extended position. Next, remove the firing pin retaining pin. (It looks like a cotter pin and is designed to only go through one side of the bolt carrier.)
8. Push the bolt into the carrier body.



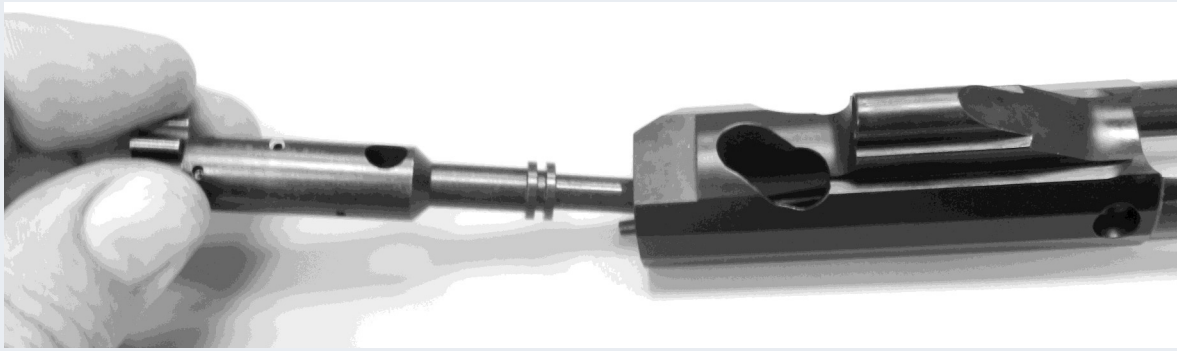
9. Remove the firing pin. It will slide out to the rear of the carrier.



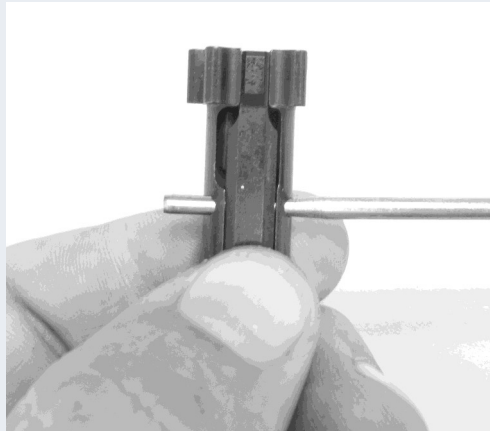
10. Remove the cam pin from the Carrier.



11. Remove the bolt from the bolt carrier body.

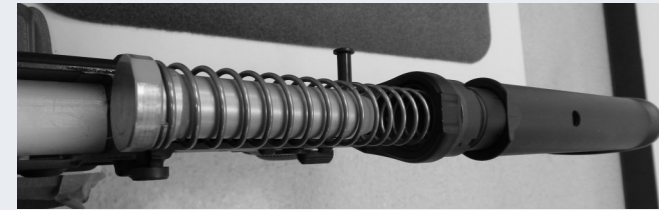


12. Push on the back of the extractor to relieve pressure off of the extractor roll pin. Use an appropriate sized punch to remove the roll pin.



13. With the extractor removed, be aware that the extractor spring and the offset firing pin are susceptible to falling out and getting lost. To ease future assembly, take note of their placement as you remove them.

14. To remove the buffer assembly and buffer spring from the receiver extension in the lower assembly, push in the buffer assembly slightly while depressing the buffer retainer. Note that the buffer assembly has three flats on it. It is easier to remove the assembly if one of the buffer assembly flats is positioned over the buffer retainer. Also, the hammer should be cocked so that it is not in the way. Slowly let the buffer and spring slide past the buffer retainer until it is fully removed.



15. Due to the difficulty in reassembly, it is recommended that your F17-L™ magazine only be dismantled by a gunsmith or Franklin Armory® armorer.

