

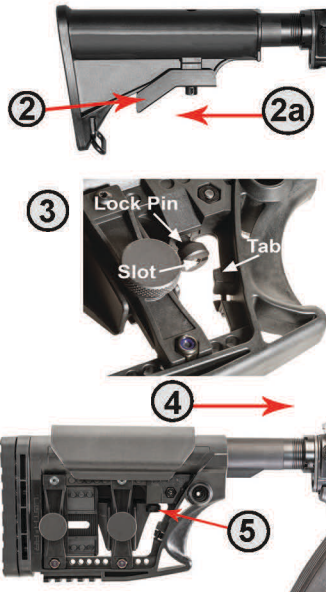
MBA-3 MBA-4 INSTALLATION INSTRUCTIONS


Tools Required:

3/32 Hex Key/Allen Wrench [Included]

INSTALLATION

1. Make sure the rifle is unloaded and safe.
- ② While pulling fully down on the adjustment lever, slide off the existing adjustable buttstock to the rear.
- ③ Locate the locking pin on the MBA-3 or MBA-4 and align the slot in the locking pin with the tab on the frame body.
- ④ While holding the locking pin in the fully down position, slide the buttstock onto the carbine buffer tube.
- ⑤ Once you have positioned the MBA-3 or MBA-4 release the locking pin.
6. Your MBA-3 or MBA-4 Carbine buttstock is now ready for use.



 Make sure Firearm is Unloaded during Assembly

WWW.LUTH-AR.COM

