

INSTRUCTION MANUAL

CHIAPPA
firearms

SAA 1873 – RIMFIRE



ATTENTION: BEFORE REMOVING THIS FIREARM FROM ITS PACKAGE READ & UNDERSTAND WARNINGS, INSTRUCTIONS AND PRECAUTIONS IN THIS USER'S MANUAL



NASGW

USA
Shooting



OFFICIAL SPONSOR

A must for modern cowboys

A historical note on the SAA 1873 Single Action model and on historical design

A revolver which reflects the most classic western tradition, the Chiappa SAA 1873-22 SINGLE ACTION revolver will make a lot of modern cowboys happy. It is a faithful replica of the Colt 1873 Single Action, which is never missed in the most famous western films.

With its grip well distanced from the cylinder group, the shape of the hammer reminding of the main of a running horse, and the typical shark tail-shaped sight, the 1873 Single Action model cannot be missing in the collection of the modern cowboy.

The name “1873 Single Action” is an idea of our American importer, and perfectly evokes the spirit of this weapon. The word was born from the union of “Pinkerton” – the famous agency of investigators who often escorted stagecoaches loaded with gold, and “plinking”, an onomatopoeia which in US slang refers to a kind of shooting, with small calibers on metal targets.



Chiappa proudly manufactures finely crafted replica firearms reproducing famous historical weapons. These firearms are manufactured using leading edge machinery and high quality modern materials. They are faithful reproductions of firearms originally designed in the nineteenth century; therefore, if you choose to own or use historical firearms you should be aware that, along the one hundred or more years past, there have been significant advances in firearms design and safety.

Chiappa manufactures these guns not as state of the art firearms, but as historically significant firearms for the collector. It is vital that the user be familiar with his firearm and possible safety risks that may be present in the design. Most significantly, the user should realize that the designs of safeties - or even the presence of adequate safeties - vary significantly on historical designs and do not offer the protection against accidental discharge that modern firearms safeties achieve.

INDEX

<u>WARNINGS</u>	<u>4</u>
<u>SAFETY RULES</u>	<u>5</u>
<u>IDENTIFYING MARKINGS.....</u>	<u>6</u>
<u>AMMUNITION.....</u>	<u>7</u>
<u>LOADING.....</u>	<u>9</u>
<u>SIGHT ADJUSTMENT</u>	<u>10</u>
<u>SHOOTING/FIRING.....</u>	<u>10</u>
<u>UNLOADING</u>	<u>11</u>
<u>DISASSEMBLY (FIELD STRIPPING)</u>	<u>11</u>
<u>ASSEMBLY.....</u>	<u>11</u>
<u>CLEANING</u>	<u>11</u>
<u>ORDINARY & EXTRAORDINARY MAINTENANCE</u>	<u>12</u>
<u>EXPLODED VIEW</u>	<u>13</u>
<u>PARTS LIST</u>	<u>14</u>
<u>WARRANTY CONDITIONS.....</u>	<u>16</u>



WARNING

DO NOT DRY FIRE!



WARNING

The half cock is for loading and unloading

This is NOT a safety notch

Trigger is never to be pulled in this notch

- With enough force the trigger will be broken
- This will not be covered under warranty

See explanation of how to put the firearm on half cock and also how to release from half cock at page 9 of this manual.

WARNINGS

The manufacturer is not responsible for damage to objects caused by misuse of the gun or for injuries to persons or animals, or in case of death, caused voluntarily or involuntarily by the gun user.

The manufacturer is not responsible for injuries caused by poor maintenance, misuse of the gun, unauthorized or improper modifications.

The manufacturer declines responsibility for the indirect consequences of any injuries and / or death of persons or animals, damage to objects caused by use of the gun or by primer explosion, by bullet's ricochet, or unsafe loading practices and / or procedure.

Read the entire manual and learn the proper use of the gun without live ammunition. It is important that you understand the proper use of this product.

The life of the people close to you may depend on your safe behaviour.

If the manual is not clear, please contact the dealer where you bought the gun or call the distributor or the manufacturer by using the contact information provided within this manual.

The manufacturer declines any responsibility for misuse of the firearm. In case of alteration of the firearm, The manufacturer declines any civil and penal responsibility and will not refund any damage.

QUALITY INSPECTION: Every firearm is thoroughly inspected by the manufacturer, for function and cosmetic blemish, prior to shipment.

To guarantee the gun is safe, all guns produced in the Italian facility are sent to the National Proof House of Gardone Val Trompia – BRESCIA – ITALY for proof testing, in compliance with Italian law. The Proof House tests the firearm with heavy loads then checks the barrel, chamber and headspace to make certain the firearm is safe for use with standard factory ammunition. The National Proof House will put their markings on the gun, certifying the gun is qualified and can be sold.

Guns produced in our US facility are scrupulously tested in our premises.

Warning!

Discharging firearms in poorly ventilated areas, cleaning firearms, or handling ammunition may result in exposure to lead or other substances known to the State of California to cause birth defects, reproductive harm, and other serious physical injury. Have adequate ventilation at all times. Wash hands thoroughly after exposure.

ANY LEGAL DISPUTE WILL BE UNDER THE JURISDICTION OF A COURT IN THE STATE OF OHIO – USA, OR IN THE COURT OF BRESCIA – ITALY, AT OUR DISCRETION.

SAFETY RULES

1. Read the instructions carefully before use. Reading the manual and careful examination of the gun are fundamental to avoid any kind of problem.
2. Be aware that you are handling a firearm; therefore your knowledge and behaviour may affect your life and those of the people close to you.
3. Guns and ammunitions must be kept in separate places.
4. ALWAYS keep guns and ammunitions out of reach of children.
5. Store the gun in a clean, dry and airy place after use to avoid rust in mechanical parts that may cause serious problems in functioning after a period of inactivity.
6. The gun must ALWAYS be stored unloaded, ALWAYS check that the chamber is empty.
7. Keep away from open flame or heating sources.
8. Never leave a loaded gun unattended.
9. Never leave the weapon loaded, it could fall and cause injury and death. Always point the gun in a safe direction, and handle it as though it were loaded. This is especially important when loading and unloading the gun, and when handing it to someone else. Never take someone's word that it is unloaded. Always make sure the gun is unloaded before laying it down or handing it to someone else.
10. After use, clean and lubricate the inside of the barrel with appropriate oil. Grease or oil build up can cause excessive pressure and result in serious personal injuries. Before using the gun again, inspect the barrel and chamber to make certain that there are no obstructions in the bore. Remove any oil residue with rod and dry patch before shooting.
11. Accumulation of rust in the barrel can cause excessive pressures resulting in serious injury and may cause the explosion of the barrel. A rusted, pitted or eroded barrel should be replaced.
12. Before shooting ALWAYS check to ensure that the barrel is free of obstructions.
13. Never force a jammed action, this act could cause explosion of the round and consequent injury.
14. Use exclusively factory loaded ammunition of the caliber specified on the firearm barrel. Use of different calibers may cause serious personal injuries to you and to people close to you.
15. In case of misfire, manually extract the cartridge from the chamber. If firearm fails to fire when trigger is pulled, as a result of slow primer ignition (hangfire), keep muzzle pointed downrange for a minimum of 30 seconds. If the round does not fire, remove the magazine, clear the weapon and examine the ejected, unfired cartridge. If the indent from the firing pin is off center, light or absent, take the gun to a competent gunsmith. If the indent appears normal compared to other rounds, assume a faulty round, separate from other cartridges, reload and continue shooting.
16. Do not attempt to re-use unexploded ammunitions.
17. NEVER modify any parts of your gun. Any alteration may cause serious personal injury and voids the warranty.
18. Only a qualified gunsmith may service the gun for repair or serious maintenance.
19. Pay great attention during transportation and use. Mechanical safety devices can fail. Developing intelligent, good safety habits is the best way to prevent accidents.
20. Never rest your finger on the trigger until the very moment you wish to shoot. Always keep the safety on until you are ready to safely shoot at an intended target (see safety features).
Note: Safety devices on guns are extras and are not a substitute for your proper and safe handling practices.
21. ALWAYS keep the gun unloaded when transporting it from home to the shooting areas. Carefully check that cartridge chamber is empty.
22. When you walk around with the gun in a shooting area, ALWAYS keep the muzzle pointed in a safe direction.
23. NEVER run with a loaded gun, don't cross any obstacle (fences or water courses, etc.) or walk where there is any possibility of slipping or falling without having your firearm unloaded and in safety position.
24. When selecting a place to shoot, always be absolutely sure of your target and the area behind it before you touch the trigger, making sure there is an adequate backstop which will stop and contain bullets. A bullet can travel through or past your target with a range up to 1 1/2 miles. If you have any doubt, do not shoot.

25. Never shoot against a solid surface or in a pool of water, the projectiles could ricochet and shoot toward any direction. Don't shoot up into the sky.
26. Keep all bystanders behind you, standing beside a shooter is not a safe position. Make sure all other shooters and bystanders are well away from the ejection port.
27. Do not smoke while handling, loading or shooting any ammunition, especially black powder. Keep black powder in a closed container at all times, reclosing the container after each and every use.
28. Never drink alcoholic beverages or take any drugs before or during shooting, as this not only constitutes criminal disregard for your safety and that of others, but will seriously impair your judgment and vision. Never use a gun while you are taking medication unless you have checked with your doctor to ensure your fitness to handle the gun safely.
29. Always wear and encourage others near you to wear proper ear protection when shooting, especially on a range since the noise from your gun, and other guns close to you, could result in permanent hearing loss.
30. Always wear protective shooting glasses to protect your eyes from injury by gun powder, gas, lubricant, dirt or metallic particles, carbon residue, sparks or other debris.
31. Wash hands thoroughly after shooting and handling firearms to remove any unwanted residues.
32. NEVER leave the loaded firearm or the loaded magazine in the sun
33. By replica firearms there is no modern safety. In this case you must pay even more attention to safety rules.

REMEMBER: No mechanical safety device is infallible.

The user is responsible for injuries or damages caused to him or to other persons.

COMPLETE KNOWLEDGE OF YOUR FIREARM CAN MAKE THE DIFFERENCE.

IDENTIFYING MARKINGS

Every gun we produce has a serial number that is marked on the receiver/frame. Close to the serial number you will also find the manufacturers information with the model name and caliber marked either on the frame or the slide as required by law.

These markings must not be removed from the firearm for any reason.

<p>THE SAA 1873-22 WAS DESIGNED FOR PLINKING, GENERAL SHOOTING OR HUNTING. THIS FIREARM IS NOT DESIGNED FOR TIMED SHOOTING COMPETITION OR FAST DRAW AND WE DO NOT WARRANT THE GUN TO PERFORM TO RIGOROUS COMPETITION USE.</p>

AMMUNITION

NOTICE

WE SPECIFICALLY DISCLAIM RESPONSIBILITY FOR ANY DAMAGE OR INJURY WHATSOEVER OCCURRING IN CONNECTION WITH, OR AS THE RESULT OF, THE USE OF FAULTY, OR NONSTANDARD, OR “REMANUFACTURED” OR HANDLOADED (RELOADED) AMMUNITION, OR OF CARTRIDGES OTHER THAN THOSE FOR WHICH THE FIREARM WAS ORIGINALLY CHAMBERED.

- Death, serious injury, and damage can result from the use of wrong ammunition, bore obstructions, powder overloads, or incorrect cartridge components.
- Use only ammunition specifically recommended for your firearm (the caliber is specified on the barrel/cylinder/frame).
- Always use cartridges whose length is equal or inferior to that indicated on the barrel.
- Use only high quality, original factory manufactured ammunition whose pressure cannot be higher than the one stated by S.A.A.M.I. or C.I.P.
- Your gun has been designed for ammunition of a specific caliber – do not alter the barrel, chamber, caliber for which your gun was designed.
- Be sure you never mix ammunition.
- Firearms may be severely damaged, and serious injury to the shooter or others may result from any condition causing excessive pressure inside the chamber or barrel during firing. Excessive pressure can be caused by obstruction in the barrel, propellant powder overloads, or by the use of incorrect or defectively assembled cartridges. In addition, the use of a dirty, corroded or damaged cartridge can lead to a burst cartridge case and consequent damage to the firearm and personal injury from the sudden escape of high-pressure propellant gas within the firearm's mechanism.

Immediately stop shooting and check the barrel for a possible obstruction whenever:

- You have difficulty in, or feel unusual resistance in chambering a cartridge
- A cartridge misfires (does not go off)
- The mechanism fails to extract a fired cartridge case
- Unburned grains of propellant powder are discovered spilled in the mechanism
- A shot sounds weak or abnormal

In such cases it is possible that a bullet is lodged part way down the barrel. Firing a subsequent bullet into the obstructed barrel can damage the firearm and cause serious injury to the shooter or bystanders.

Bullets can become lodged in the barrel:

- If the cartridge has been improperly loaded without propellant powder, or if the powder fails to ignite. Ignition of the cartridge primer alone will push the bullet out of the cartridge case, but usually does not generate sufficient energy to expel the bullet completely from the barrel.
- If the bullet is not properly seated tightly in the cartridge case. When such a cartridge is extracted from the chamber without being fired, the bullet may be left behind in the bore at the point where the rifling begins. Subsequent chambering of another cartridge may push the first bullet further into the bore.
- If there is any reason to suspect that a bullet is obstructing the barrel, immediately unload the firearm and look through the bore. It is not sufficient to merely look in the chamber. A bullet may be lodged some distance down the barrel where it cannot easily be seen. If a bullet is in the bore, do not attempt to shoot it out by using another cartridge, or by blowing it out with a blank or one from which the bullet has been removed. Such techniques can generate excessive pressure, damage the firearm and cause serious personal injury. If the bullet can be easily removed with a wood or brass dowel, (using hand pressure only, never "hammer" a bullet lodged in the bore) clean any unburned powder grains from the bore, chamber and mechanism before resuming shooting. If the bullet cannot be dislodged by tapping it with a cleaning rod, take the firearm to a gunsmith.

- Dirt, corrosion, or other foreign matter on a cartridge can impede complete chambering and may cause the cartridge case to burst upon firing. The same is true of cartridges which are damaged or deformed.
- Don't oil cartridges, and be sure to wipe the chamber clean of any oil preservative before commencing to shoot. Oil interferes with the friction between cartridge case and chamber wall that is necessary for safe functioning, and subjects the firearm to stress similar to that imposed by excessive pressure.
- Use lubricants liberally on the moving parts of your firearm. Avoid excessive spraying of any aerosol gun care product, especially where it may get on ammunition. All lubricants, and aerosol spray lubricants in particular, can penetrate cartridge primers and cause misfires. Some highly penetrative lubricants can also migrate inside cartridge cases and cause deterioration of the propellant powder; on firing, the powder may not ignite. If only the primer ignites, there is a danger that the bullet may become lodged in the barrel.

The use of reloaded or improper ammunition voids the warranty.

The 1873 SINGLE ACTION revolvers chambered for 22 long rifle are intended to be used with any standard make of 22 long rifle, long or short ammunition in either regular, high velocity or hyper-velocity loading.

Two cylinders are furnished with the 1873 SINGLE ACTION DUAL CYLINDER version (US market only). The standard cylinder is chambered for 22 Long Rifle cartridge (22 Short and 22 Long cartridges can also be fired in the Long Rifle cylinder). The cylinder chambered for the .22 WMR cartridge (Winchester Magnum Rimfire) is marked according to the image below. WARNING: Fire only .22 WMR cartridges in the MAGNUM cylinder. Do not fire 22 Short, Long or Long Rifle cartridges in the MAGNUM cylinder. Such cartridges will burst and can cause injury to the shooter and persons nearby.



USE .22 WMR: .22 WMR MAY BE CONFUSED WITH EARLY 22 MAGNUMS CALLED 22WRF OR SOME SUCH NAME. THERE WAS A 22 MAGNUM MADE BY WINCHESTER THAT SHOULD NOT BE FIRED IN A .22 WMR.

SPECIAL WARNING FOR RIMFIRE AMMUNITION

When loading the cylinder, be sure to push each cartridge fully into the chamber to avoid interference of the cartridge rim with either the frame of the revolver or the loading gate. Failure to fully seat the cartridge and any attempt to force the cylinder to rotate or to force the loading gate closed could lead to possible detonation of the cartridge and injury to the shooter. NEVER DRY FIRE your revolver. If you do this you will ruin your cylinder and the ammunition will not properly seat in the chamber.

LOADING

NEVER ASSUME THE GUN IS UNLOADED. You can never be sure a gun is unloaded unless you check that the charger is not in place/ the cartridge chamber/magazine tube/cylinder is completely empty.

Never rely solely on mechanical features alone - always be extremely careful, use safe gun handling practices, and avoid situations which could lead to an accident.

Warning: Keep muzzle pointed in safe direction and follow all safety procedures at all times. Practice these steps with an unloaded gun or dummy ammo until you are completely familiar and comfortable with the procedures. Use live ammo only when you are prepared to shoot. Always use clean, dry, high quality ammunition (of the proper caliber) that meets industry performance standards.

1. Do not load the revolver until you are ready to use it.
2. Point the revolver in a safe direction
3. Pull the hammer to the first notch "Half-Cock" position; this permits the cylinder to rotate freely.
4. Open the loading gate to expose the chambers.
5. Turn cylinder clockwise, by hand, and insert cartridges in chambers until the cylinder is loaded and close the loading gate.

WARNING: Do not carry this revolver with a live round chambered under the hammer and firing pin. This firearm could discharge if dropped with a live round under the hammer. Keeping an empty chamber under the hammer is good insurance against accidental firing.

6. Align an empty chamber so that the hammer will rest on a empty chamber. Pull the hammer to the rear and carefully ease the hammer forward while pulling the trigger, allowing the hammer to rest over the empty chamber. The revolver is now in its normal carrying condition – hammer and trigger fully forward, with hammer on an empty chamber.

7. Cocking – To fire the revolver, the hammer must first be manually cocked. When cocking the hammer, have a firm hold on the grip with the shooting hand, and **DO NOT TOUCH THE TRIGGER WHILE COCKING THE HAMMER. TOUCH THE TRIGGER ONLY WHEN YOU ARE READY TO FIRE.**

With the fore portion of your thumb firmly on the hammer spur, draw the hammer fully to the rear until it stops. Then permit the hammer to move forward (it will only move slightly) until the trigger engages in the hammer at full cock. (2 clicks)

8. Firing – Once the hammer has been cocked, a light pressure on the trigger will disengage the trigger from the hammer. The hammer will fall forward striking the firing pin and the revolver will fire. **NEVER FIRE UNTIL YOUR TARGET IS ACQUIRED AND YOU ARE CERTAIN OF DOWN RANGE SAFETY.**

9. After firing, the hammer will remain down. To fire subsequent shots, fully release the trigger and repeat steps 7 & 8 above for each shot.

SIGHT ADJUSTMENT

Standard SAA 1873-22 models do not have adjustable sights. Most will shoot center but some may shoot slightly left or right of dead center. We do not guarantee them to shoot dead center for each individuals shooting style. Do not attempt to correct sighting by bending the front sight. If your point of impact is low with your sight picture, you may file the front sight slightly to bring it up to point of aim.

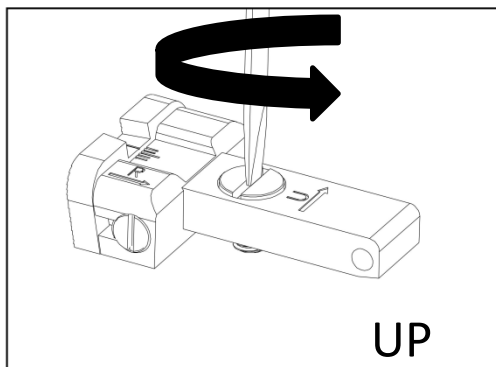
By the TARGET version an adjustable rear sight (elevation and windage) is available.



Turn the screw A anticlockwise, in this way the slide will move Up and the next shot will be higher up, turn clockwise if you want shoot further down.

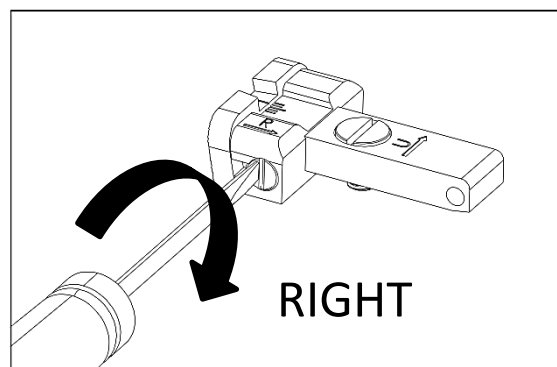
You can regulate the windage with grub B, turn clockwise to shoot more right and anticlockwise to shoot more left.

Try a quarter turn or less a time (90°) until you shoot center.



UP

A



RIGHT

B

SHOOTING/FIRING

! WARNING

All revolvers have "side blast" when firing. Be sure all spectators are at a safe distance behind the shooter. Side blast is a discharge of hot particles of lead, unburnt powder, and lubricants expelled at the cylinder gap between the cylinder and the rear of the barrel. Be certain that nothing including your hands are in this path of discharge along the front and sides of the cylinder. Shooting glasses and hearing protection are mandatory when firing this revolver. Never fan the hammer of this revolver or quick-draw a loaded revolver.

Always wear eye and hearing protection when shooting.

1. Point muzzle in a safe direction.
2. Load cylinder as previously directed.
3. Grip the frame firmly.

4. Place index finger on trigger, take aim and gently squeeze rearward until hammer is released and falls forward striking the firing pin. Be prepared for loud noise and recoil.
5. Manually cock the hammer after firing each shot
6. Continue procedure until all shots have been fired.
7. If all rounds have not been fired and you wish to stop shooting, immediately remove your finger from the trigger, set the hammer in half cock position and follow the Unloading procedure described below.

UNLOADING

Draw the hammer to its half-cock position and open the loading gate on the right rear part of the frame. Push out each cartridge or empty case with the ejector rod located under the barrel. Operate the ejector rod in each chamber to its full length to assure full length case ejection. Close the loading gate after you are sure that all six chambers in your revolver are empty.

DISASSEMBLY (FIELD STRIPPING)

1. Open the loading gate (16) and place the hammer in half cock.
2. Push the button (9) to unhook the cylinder.
3. Remove cylinder rod (8).
4. Now you may remove the cylinder for proper cleaning.

ASSEMBLY

1. Place hammer in half cock, open loading gate and put the cylinder in place.
2. Insert button screw (9) to block the cylinder.
3. Place the cylinder rod (8) until you hear a click.
4. Close the loading gate (16).

CLEANING

Attention: Careful and detailed cleaning of this firearm is essential to guarantee its safety and proper function.

This product should be cleaned after every use and when exposed to dirt, sand, etc. When not in use, clean at least twice per year. A careful and scrupulous ordinary clearing of the firearms is essential to guarantee its safety and long life. We recommend to clean the weapon at least after shooting 200 to 300 shots.

Every time you use your gun it is advised to clean it in order to remove all corroding agents (humidity, powder or lead residues etc.) which can in time alter a few parts.

In order to perform a standard cleaning, it is sufficient to utilize a good solvent, cleaning oil, and a little brush.

For a deeper cleaning, please contact your local gunsmith

Warning: always run the cleaning rod from the chamber end

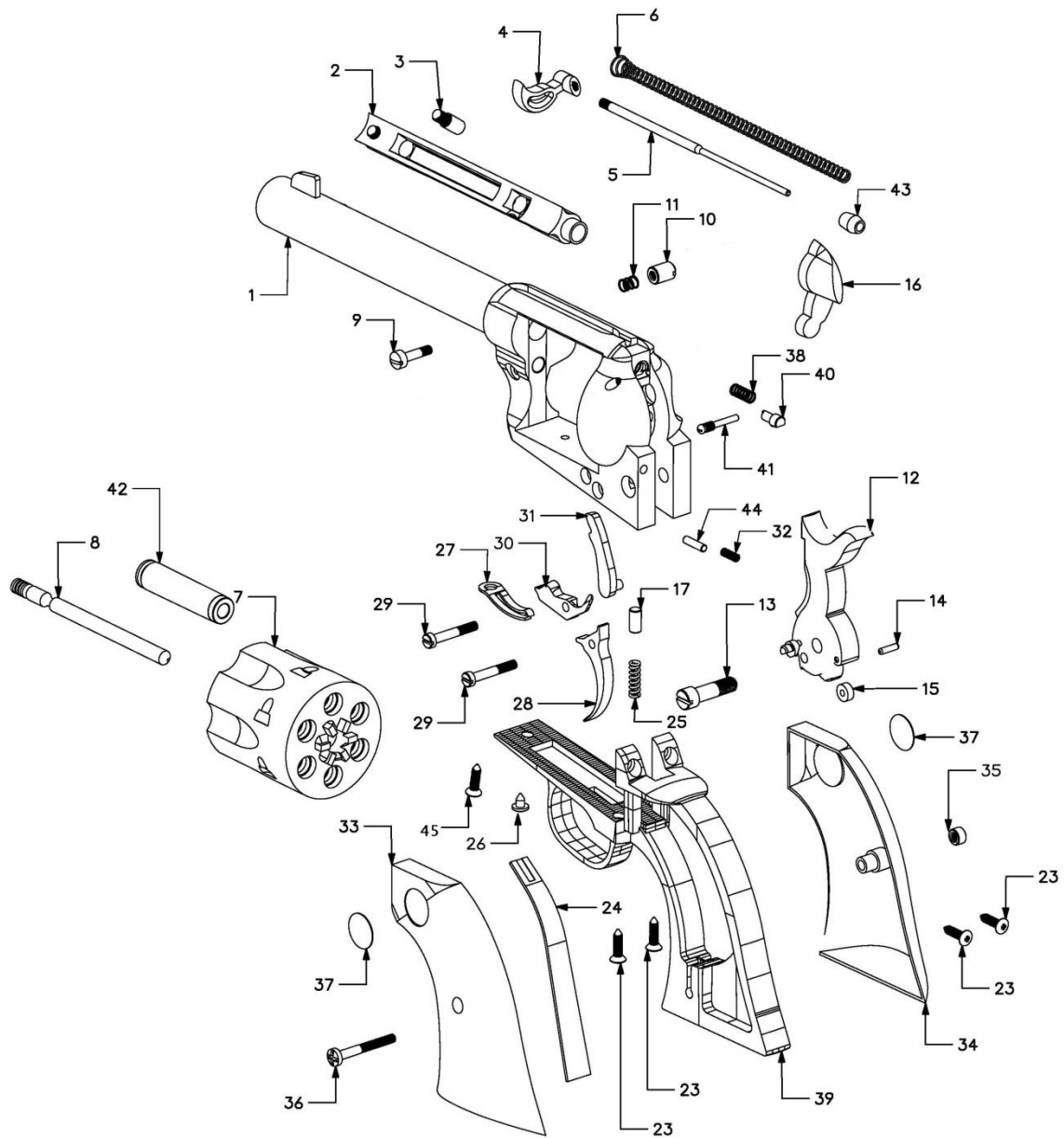
Check first to make sure your revolver is empty. Then remove the cylinder using the following steps:

1. Open the loading gate.
2. Put the hammer in its half-cock notch.
3. Depress the base pin catch. This is the spring loaded plunger which is located on the left front side of the frame. Keep it depressed.
4. Slide the base pin all the way out. The base pin is the pin which the cylinder revolves on. It should always be clean and lubricated.
5. Remove cylinder toward the loading gate taking special care not to loose or misplace the loose fitting bushing located toward the front of the cylinder. The cylinder is made to fit your revolver precisely and can be removed and replaced easily, but carefully. It is a close fit, so don't force it to move in any direction. To reassemble, simply reverse the steps used in removal, with the cylinder bushing conical opening facing the back of the cylinder. When you reassemble the base pin, make sure the base pin catch snaps back to its regular position. You can test this by making sure the plunger is free to move when you depress it and it returns under its own spring pressure. Use a aluminum or brass cleaning rod (not steel), a brass bristle brush, and patches appropriate to your revolver's caliber to clean it. Use a good quality cleaning solution to scrub the bore and each cylinder. While scrubbing the bore, always brush all the way through the bore; never try to reverse directions while the brush is actually in the barrel or chamber. After scrubbing, run clean patches through the bore and chambers until they come out clean. Then completely, but lightly, oil the entire revolver. Use your revolver carefully and safely. Help us to help you keep and protect your right to gun ownership.

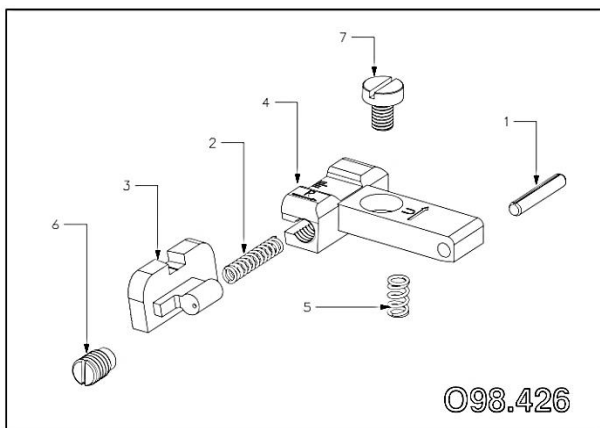
ORDINARY & EXTRAORDINARY MAINTENANCE

- Before conducting any sort of maintenance, make sure the firearm is unloaded.
- By "ordinary maintenance" we refer to measures the user should take to keep the gun in good working conditions.
- An "Extraordinary maintenance" implies the replacement of broken parts and therefore disassembling the gun. In this case only authorized personnel or a qualified gunsmith should handle the task.
- Also a long period of heavy use or inactivity requires an extraordinary maintenance; your gun should be taken to a qualified gunsmith to have the action disassembled for professional cleaning and lubrication.
- Your gunsmith will advise the best lubricant for the good maintenance of your gun.
- Do not leave oil residues when cleaning and lubricating your firearm.
- Make sure that the mechanism of the weapon is easy; if it starts to stiffen, or if corrosion is starting on some essential parts, you should bring your gun to competent, professional personnel.
- Do not use pure silicon or lanolin.
- In the following pages you will find exploded views with a list of all parts. When ordering parts, it's important to specify date of purchase, serial number, model, caliber and item reference of the part/s needed.
- If the gun has a problem that you cannot fix, DO NOT FIRE it but send it to an authorized center for a check-up. If you try to fix it personally, you may put in serious danger yourself and the people near you. Always pay great attention and handle the gun very carefully, in order to avoid terrible accidents which may change your life and that of others.

EXPLODED VIEW



REAR SIGHT FOR TARGET
MODFI



O98.426

PARTS LIST

ITEM	DESCRIPTION	REF.
700.173	Frame SAA 1873 22LR 4" 3/4	1
O98.637B	Frame+grip SAA 1873 22LR 4 3/4" black	1+39
O98.417B	Frame+grip SAA 1873 22LR 4 3/4" black target	1+39
O98.484O	Frame+grip SAA 1873 22LR 4 3/4" black antique	1+39
O98.539B	Frame+grip SAA 1873 22LR 4 3/4" black antique 10 rounds	1+39
O98.534B	Frame+grip SAA 1873 22LR 5 1/2" black 10 rounds	1+39
O98.535B	Frame+grip SAA 1873 22LR 7 1/2" black 10 rounds target	1+39
O98.596B	Frame+grip SAA 1873 17HMR 7 1/2" black 10 rounds target	1+39
O98.659B	Frame+grip SAA 1873 17HMR 4 3/4" black	1+39
740.163B	Ejector tube SAA1873-22, Black	2a
740.163O	Ejector tube S.A. 1873-22 antique	2b
730.344	Extractor screw S.A.	3
740.164B	Ejector button SAA1873-22, Black	4a
740.164O	Ejector button SAA1873 antique	4b
730.345	Extractor rod	5
721.084	Extractor spring	6
740.257B	CYLINDERS SAA1873-22 Black, 6 rd	7a
740.257O	CYLINDER SAA1873-22 Antique, 6 rd	7b
770.583	Cylinder SAA1873-22-10 Black, 10 rd	7c
770.610	SA 1873 CYLINDER SEMIFINISHED BLACK 17HM	7d
770.580	SA 1873 CYLINDER SEMIFINISHED BLACK 22MAg 10 rounds	7e
740.444B	CYLINDERS SEMIFINISHED SA 1873	7f
730.346	Cylinder rod	8
730.347	Cylinder rod spring screw	9
730.348	Cylinder rod spring nut	10
720.050	Spiral spring 4.1x5.5x0.4	11-38
740.258B	Hammer SAA1873-22 Black	12a
740.258O	Hammer SAA1873-22 Antique	12b
730.775	Hammer screw	13
130.007	Roller 2x7,8	14
730.350	Hammer pin	15
740.166B	Loading gate SAA1873-22, Black	16a
740.166O	Loading gate SAA1873-22 Antique	16b
130.025	Pin 4x8	17
120.000	Autothr. phil screw 2,9x9,5 ov cyl head	23
721.085	Hammer spring S.A.	24
720.051	Spiral spring 3.8x11x0.8	25
120.005	Autothr. Phil. screw 2,9x6,5 countersunk	26
721.086	Trigger spring S.A.	27
740.168B	Trigger SAA1873-22 Black	28a

ITEM	DESCRIPTION	REF.
740.168O	Trigger SAA1873-22 Antique	28b
730.776	Trigger screw	29
760.068	Cylinder stop SAA1873-22, 6 rd	30
770.581	Cylinder stop for SAA 22-10, 10 rd	30
740.260	Pawl SAA1873-22, 6 rd-metal zinc alloy	31
770.582	Pawl SAA1873-22, 10 rd	31
720.020	Spiral spring 2,3x5,6x0,35	32
750.051	Left grip, SAA1873-22 black plastic	33
780.087	Left grip, SAA1873-22 wood	33
750.201	Left grip, SAA1873-22 Ivory	33
750.052	Right grip, SAA1873-22 black plastic	34
780.086	Right grip, SAA1873-22 wood	34
780.167	Right grip, SAA1873-22 wood, chequered	34
750.202	Right grip, SAA1873-22 Ivory	34
730.322	Screw washer SAA1873-22	35
103.017	Button phillips screw M3X25	36
750.163	Medallion for grip SAA1873-22, CF	37
750.030	Grip medallion Gold, Leaf	37
740.167B	SA 1873 BLACK BACKSTRAP	39a
740.167W	Backstrap S.A. steel	39b
740.237	Backstrap S.A. brass/gold	39c
730.765	Firing pin SAA 1873-22	40
130.019	Coiled spring pin light duty 2x20	41
730.761	Cylinder bushing	42
730.777	SAA 1873-22 extractor rod nut	43
130.079	Roller 2,5x9,8	44
120.018	Phillips head self-tapping screw.2.9x4.5	45
O98.426	Rear sight Assembly - SAA1873-22 Target	a
130.031	Coiled spring pin light duty 2x12	a1
720.056	Spiral spring 2,5x12,5x0,4	a2
750.118	Slide for Target rear sight	a3
750.119	Rear sight base - SAA1873-22	a4
720.028	Spiral spring 3x5.3x0.45	a5
730.848	Left grub screw target rear sight	a6
730.847	Rear sight screw SAA1873 Target	a7
104.015	Grub screw HOLO-KNURL POINT 10-32x3/16	add parts
750.191	Revolver safety disc SAA1873-22	add parts

WARRANTY CONDITIONS

The manufacturer guarantees that our products are scrupulously checked against defects in materials, workmanship and aesthetical and functioning problems.

In case you find a defect in one of our products, you should immediately contact the DEALER/SHOP/GUNSMITH where you have bought your gun. The seller will indicate the conditions for the repair, which will be either made directly by them or through our assistance.

ATTENTION: end users are not allowed to ship any gun directly to the manufacturer for repair, either under guarantee or against payment. Transportation of weapons is strictly regulated and the documents which are required can solely be issued by companies with specific authorization.

1. The manufacturer guarantees, for a year after the purchase date, the free substitution of parts for defects which have been found out during use: wear of parts which shouldn't be subject to wear, or excessive wear of parts subject to wear. The customer will have to give evidence of the purchase date with a bill or other valid proof.
2. In case the defect under cover of guarantee is not repairable, The manufacturer will provide for a free substitution of the weapon.

THE MANUFACTURER RESERVES THE RIGHT OF DEFINING THE TYPE OF DEFECT OF THE FIREARM, AND THEREFORE TO STATE WHETHER THE DEFECT IS COVERED BY GUARANTEE

The manufacturer's decision will be fair but final.

The manufacturer will be allowed a timing of 60 days for repair under guarantee, and 90 days for free substitution.

We strongly recommend that you keep the receipt or proof of purchase for your firearm. Proof of purchase will be required for repair under warranty.

Should the manufacturer become aware of a defect of a product during the guarantee period, the defective part will be replaced free of charge.

The guarantee does not cover parts subject to wear and corrosion

ATTENTION: delivery expenses to and from the service center are not covered by the guarantee and will be charged to the customer.

THE GUARANTEE IS VOID IN CASE:

- Inadequate ammunition has been used (any ammunition but those commonly on sale, reloaded ammunition, different from caliber and specification indicated on the firearm barrel)
- The firearm failed to be provided proper maintenance and cleaning
- The firearm has been modified without our prior consent
- Unauthorized, inadequate or incorrect repairs have been carried out
- Non original spare parts were used
- Parts subject to wear and corrosion
- Damage (improper use of the gun by the user)
- Expired guarantee

In the above cases the repair, if carried out, will be charged to the customer

In case, for any valid reason, you do not have the possibility to obtain repair under guarantee at the shop where you bought the firearm, you may contact us directly; we will indicate a local dealer to support you with the repair file:

USA - Phone: +1-937-835-5000
CANADA (Murray Charlton) – Phone +1-778.426.3884
e-mail: murray.mdcent@gmail.com
REST OF THE WORLD - Phone: +39/030/9749065
e-mail: info@chiappafirearms.com

**This instruction manual must always follow the firearm,
also in case of change of ownership**

Procedure for the use of warranty

REGISTER your firearm in the proper section of our website:
<http://www.chiappafirearms.com/registration>

CONTACT the gun shop where the product was bought, or the Chiappa Firearms facility for USA, Canada or Rest of the World as indicated above. You will receive an RMA number and the instructions to return the gun.

FILL IN the attached form, which will accompany the return firearm. Don't forget to include the NDR number, a description of the defect and a copy of the proof of the purchase indicating the purchase date.

SHIP the weapon to the gun shop (or to the service center) in its original packing, according to the instructions you have received.

ATTENTION: the returned firearm must be protected with adequate packaging; any damages occurred during transportation and handling will be the customer's responsibility

REPAIR UNDER GUARANTEE

RMA : _____

**Please write in the above box
the Repair Number you
were given by the gun shop**

1. Customer data:

- Name: _____
- Address : _____
- Town : _____
- ZIP Code : _____
- Phone : _____ Available from ____ to ____
- Fax : _____
- Email address: _____

2. Product information:

- Model : _____
- Serial number : _____

3. Gun Shop - dealer:

- Purchase date : _____
- Dealer name : _____
- Dealer address: _____

4. Description of defect:

Documents to attach: Proof of purchase with date



www.chiappafirearms.com

Brescia, Italy   Dayton, OH

Via Milano, 2 • 25020 Azzano Mella • Brescia, Italy • +39.030.97.49.065
1415 Stanley Ave • Dayton, OH • USA • +1.937.835.5000
info@chiappafirearms.com