

# USER MANUAL

**Girsan MC 28**



- **MC28** Single Action (9x19)
- **MC28** Single Action Compact (9x19)
- **MC28** Double Action (9x19)
- **MC28** Double Action Compact (9x19)
- **MC28.40** Single Action (.40S&W)
- **MC28.40** Single Action Compact (.40S&W)
- **MC28.40** Double Action (.40S&W)
- **MC28.40** Double Action Compact (.40S&W)



**Come shoot the quality.**

Zenith Firearms, an American importer of high quality firearms and accessories, is a proud distributor of GİRSAN firearms. GİRSAN is the producer of Yavuz 16 pistols which are used by Turkey's foremost civilian and official establishments.



**WARNING**

Please read this user manual carefully before using the firearm.

**WARNING**

Do not use this firearm until you fully understand all of the safety instructions and handling procedures.

**NOTE**

Should you require further information, please call a Zenith Firearms representative at 434.202.7790.



## INDEX

1. GENERAL WARNINGS .....	3
2. SAFETY GUIDELINES .....	3
3. PRODUCT PRESENTATION AND SPECIFICATIONS .....	7
4. GENERAL REVIEW .....	8
5. TECHNICAL SPECIFICATIONS.....	10
6. OPERATING SYSTEM.....	12
7. HOW TO USE THE PISTOL.....	13
8. MAINTENANCE AND CLEANING.....	18
9. CHANGING THE BACKSTRAP .....	24
10. REVERSING THE MAGAZINE RELEASE .....	25
11. TROUBLESHOOTING.....	26
12. EXPLODED DRAWINGS AND PART LIST .....	27
13. WARRANTY CERTIFICATE .....	35

## 1. GENERAL WARNINGS

- Read this user manual carefully before using the product.
- Do not use any firearm before reading the safety rules and maintenance instructions.
- Obey the laws in your country referring to firearms purchasing, carrying and use.

All firearms are dangerous. Zenith Firearms and GİRSAN are not responsible for any damage that results from the improper use of your firearm.

## 2. ESSENTIAL FIREARM SAFETY GUIDELINES

These firearm safety guidelines have been prepared by Zenith Firearms, based upon currently available information. They are provided to you as a courtesy and in the interest of furthering safety. These guidelines are not comprehensive, nor do they modify or replace rules, recommendations, standards, or regulations made by legal authorities or manufacturers.

As a responsible firearms supplier, Zenith believes that no issue is more important than firearm safety. We urge you to learn and practice the following guidelines and to make them your habit when handling firearms. This will help ensure safe handling of your firearm(s) and help prevent accidents. We also encourage you to complete an approved firearms safety-training course.

## THE 3 CARDINAL FIREARMS SAFETY RULES

### **1. Always handle a firearm as if it is loaded**

Even if you determine that a firearm is unloaded, always, always, always handle it like it IS loaded. When you handle a firearm, the first thing you should do (with the firearm pointed in a safe direction), is open the action to identify whether the firearm is loaded. If you do not know how to open the action, do not handle the firearm. And remember, removing a magazine alone does not make a firearm unloaded, as there may be a round in the chamber.

### **2. Always keep your finger out of the trigger guard and off the trigger until you are ready to shoot your target**

Do not place your finger inside the trigger guard until you have placed a firearm's sights on your target and have decided to fire. The best place to rest your finger in the meantime is above the trigger guard along the frame. By waiting until you are aimed at your target, if the trigger were to be pressed, you will guarantee that a shot will travel safely in the direction of your intended target.

### **3. Always keep a firearm pointed in a safe direction, before and beyond your target**

It is important to identify your actual target, but it is just as important to know what lies past and before your target. A safe direction is any direction where an unintentional discharge or miss will not cause injury or damage. In determining a safe direction, remember that a round can ricochet off an object like a floor, water or wall, or go through walls, floors, ceilings, and windows. Whether in a house or outdoors, the safest direction is the muzzle angled down toward the floor. And never point at or cross the muzzle of a firearm (loaded or unloaded) at any part of any person's body—the laser rule!

## **ADDITIONAL FIREARMS AND AMMUNITION RULES**

### **ALWAYS KEEP CHILDREN AND OTHERS SAFE BY STORING FIREARMS SECURE AND AWAY FROM UNAUTHORIZED PERSONS**

You should always store firearms and ammunition out of the sight and reach of children and anyone else who is not an intended user or not physically or mentally capable of handling and using them properly and safely. Store firearms in a safe storage place – ideally, one you can lock.

### **CAREFULLY READ THE ENTIRE INSTRUCTION MANUAL THAT COMES WITH YOUR FIREARM**

You should only use a firearm if you fully understand how to safely operate it. All firearms come with an instruction manual created by the manufacturer. If the firearm does not come with an instruction manual, contact the manufacturer directly and request one.

### **ALWAYS DETERMINE THAT THE FIREARM IS SAFE TO OPERATE**

Before shooting, make sure the firearm is in good working order, that the barrel is clear, and that the firearm is safe to operate. This is especially important when handling a firearm that has been stored or unused for a long period of time.

### **ALWAYS USE CORRECT AMMUNITION**

Never use improper or incorrect ammunition. Only use ammunition that is recommended by the firearm manufacturer the caliber of your firearm. Most firearms have the caliber engraved or stamped on the barrel. Your ammunition should have the exact same caliber. If you use the incorrect ammunition, it can destroy a firearm and cause serious injury. Additionally, it voids your warranty.

**WHEN CLEANING A FIREARM, MAKE SURE IT IS NOT LOADED**

One of the most common statements following an accidental discharge is: “I was cleaning the firearm and it went off!” When you clean a firearm, make sure it is not loaded. You should keep the ammunition in another room until you have finished cleaning the firearm and are ready to reload.

**NEVER USE FIREARMS WHILE USING DRUGS OR ALCOHOL**

When you handle firearms, your judgment must NOT be impaired. You should NEVER handle firearms while under the influence of alcohol, illegal drugs or while using legal prescription medication that can make you tired or affect your senses, reflexes, or judgment.

**USE EYE AND EAR PROTECTION**

Always wear proper eye and ear protection while shooting firearms; ear protection will help prevent hearing loss from the extreme decibel level of gunfire, and eye protection will help prevent ejection gases, ricocheted objects, casings, or any foreign objects from damaging your eyes. Be smart, be safe.

### 3. PRODUCT PRESENTATION AND SPECIFICATIONS

Your pistol comes with the accessories listed below:

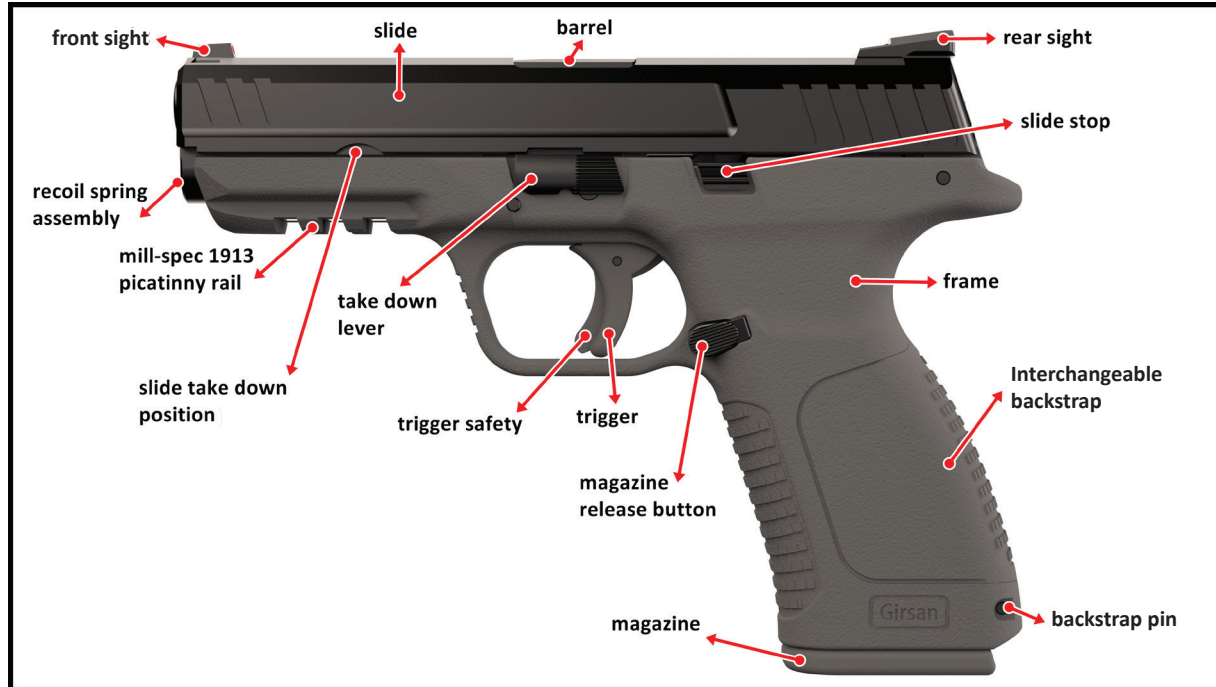
- Pistol
- 3 magazines
- 3 backstraps (small, medium, large)
- User manual
- Cleaning and oiling supplies
- Pistol lock

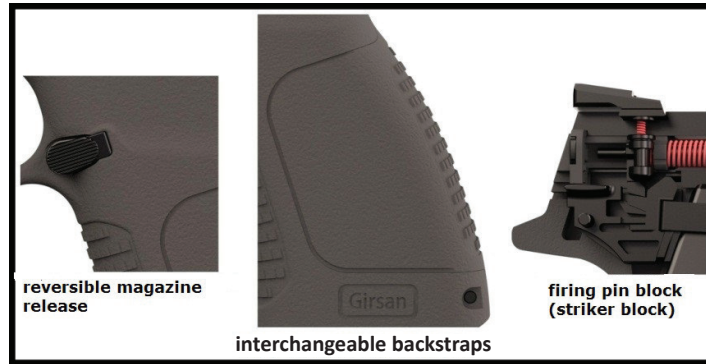
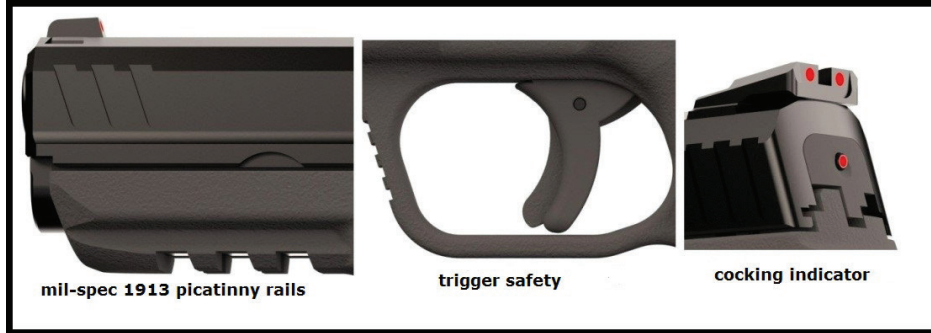
#### **GENERAL SPECS OF THE PISTOL**

GİRSAN firearms are produced with the latest technology for use in military, law enforcement, and civilian markets for sport shooting and self-defense. This pistol is semi-automatic and produced in two different actions—single and double (MC 28 SA and MC 28 DA versions respectively). The pistol has a firing pin block safety, chamber indicator, cocking indicator for the firing pin, trigger safety, and manual safety (optional). The pistol has 3 backstraps (small, medium and large) for the ergonomics of the user.



#### 4. GENERAL REVIEW





## 5. TECHNICAL SPECIFICATIONS

MODELS	MC28SA	MC28SAC	MC28DA	MC28DAC
Caliber	9mm x 19 Parabellum	9mm x 19 Parabellum	9mm x 19 Parabellum	9mm x 19 Parabellum
Operating System	short recoil striker	short recoil striker	short recoil striker	short recoil striker
Firing System	semi-automatic	semi-automatic	semi-automatic	semi-automatic
Length	7.63 inches	7.19 inches	7.63 inches	7.19 inches
Height	5.70 inches	5.70 inches	5.70 inches	5.70 inches
Width	1.18 inches	1.18 inches	1.18 inches	1.18 inches
Weight (without magazine)	25.6 ounces	24.2 ounces	25.6 ounces	24.2 ounces
Capacity	15 + 1	15 + 1	15 + 1	15 + 1
Empty Magazine Weight	3.32 ounces (±1.8)	3.32 ounces (±1.8)	3.32 ounces (±1.8)	3.32 ounces (±1.8)
Barrel Length	4.25 inches	3.82 inches	4.25 inches	3.82 inches
Rifling	right handed, 6 groove	right handed, 6 groove	right handed, 6 groove	right handed, 6 groove
Sighting Systems	fixed sights	fixed sights	fixed sights	fixed sights
Line of Sight	5.98 inches	5.54 inches	5.98 inches	5.54 inches
Safety Features	striker block, chamber loaded indicator, cocking indicator, trigger safety	striker block, chamber loaded indicator, cocking indicator, trigger safety	striker block, chamber loaded indicator	striker block, chamber loaded indicator
Trigger Action	single action	single action	double action	double action

MODELS	MC28.40 SA	MC28.40 SAC	MC28.40 DA	MC28.40 DAC
Caliber	.40S&W	.40S&W	.40S&W	.40S&W
Operating System	short recoil striker	short recoil striker	short recoil striker	short recoil striker
Firing System	semi-automatic	semi-automatic	semi-automatic	semi-automatic
Length	7.63 inches	7.19 inches	7.63 inches	7.19 inches
Height	5.70 inches	5.70 inches	5.70 inches	5.70 inches
Width	1.18 inches	1.18 inches	1.18 inches	1.18 inches
Weight (without magazine)	25.0 ounces	23.6 ounces	25.0 ounces	23.6 ounces
Capacity	12 + 1	12 + 1	12 + 1	12 + 1
Empty Magazine Weight	3.17 ounces (±1.8)	3.17 ounces (±1.8)	3.17 ounces (±1.8)	3.17 ounces (±1.8)
Barrel Length	4.25 inches	3.82 inches	4.25 inches	3.82 inches
Rifling	right handed, 6 groove	right handed, 6 groove	right handed, 6 groove	right handed, 6 groove
Sighting Systems	fixed sights	fixed sights	fixed sights	fixed sights
Line of Sight	5.98 inches	5.54 inches	5.98 inches	5.54 inches
Safety Features	striker block, chamber loaded indicator, cocking indicator, trigger safety	striker block, chamber loaded indicator, cocking indicator, trigger safety	striker block, chamber loaded indicator	striker block, chamber loaded indicator
Trigger Action	single action	single action	double action	double action

## 6. OPERATING SYSTEM

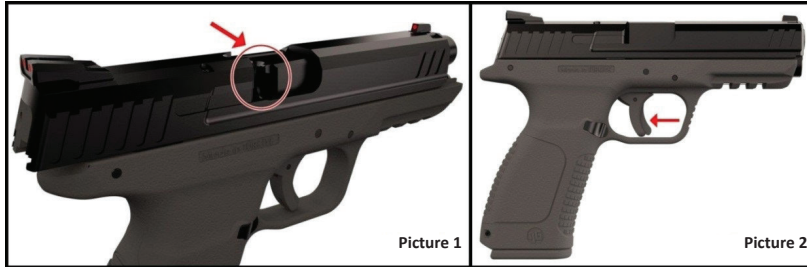
The MC28 pistol utilizes the striker fire system. The firing pin is caught by the sear when the slide moves back and forth. When the trigger is pulled, the firing pin is compressed further and releases from the sear and strikes the cartridge. The slide goes back and then forward, loading the next round. This cycle continues until the last cartridge is fired. When the last round is fired, the slide locks back, caught by the slide stop. The shooter can continue to shoot by inserting a new magazine and releasing the slide.



## 7. HOW TO USE THE PISTOL

### BEFORE SHOOTING

- Make sure that the pistol is pointed in a safe direction before operating.
- Make sure that the chamber is empty and there is no blockage in the barrel (Picture 1). You can see if the chamber is loaded by the chamber loaded indicator on top of the pistol.
- The pistol will not fire unless the trigger is pressed engaging the trigger safety (Picture 2).





## **WARNING**

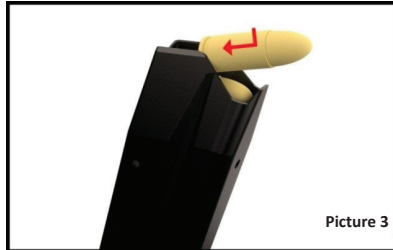
Keep your finger outside the trigger guard and off the trigger until you intend to fire.

### **PREPARING TO SHOOT**

- Always point the pistol in a safe direction.
- Make sure that the pistol is in safe mode (if applicable).
- Make sure there is no obstruction in the barrel.
- Check if the pistol is operating properly.
- Ensure the magazine is fitting correctly.

### **LOADING THE MAGAZINE**

- Hold the magazine in an upright position.
- Push the cartridge downwards and to the rear of the magazine.
- Fully load the magazine (Picture 3).



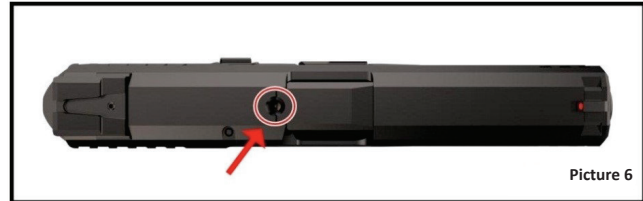
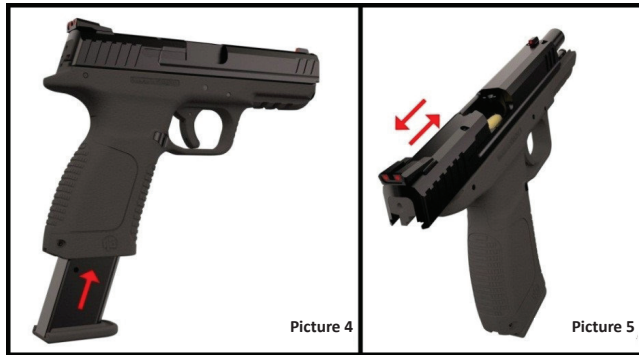


## WARNING

You can check the number of cartridges in the magazine from the visible holes on the rear of the magazine. Loading more than magazine capacity can damage your magazine.

### LOADING THE PISTOL

- Point the pistol in a safe direction.
- Put the loaded magazine into the pistol and ensure the magazine release catches (picture 4).
- Pull the slide back to the end and release it freely (Picture 5).
- Now the pistol is loaded and ready to fire. The chamber loaded indicator shows that the pistol is loaded (Picture 6).



Picture 6





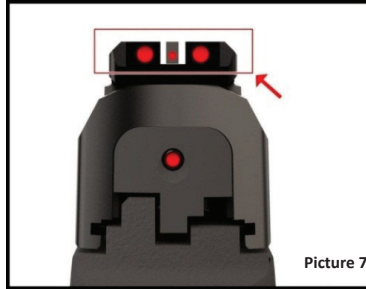
## WARNING

Pistol is loaded and ready to be fired. Keep your finger out of the trigger guard and off the trigger until you intend to fire.

NOTE: GİRSAN MC28 pistol has a striker block safety, this system will not allow the firing pin to strike the primer on the cartridge unless the trigger is pulled (Picture 2).

## TARGETING

The sight alignment is created by arranging the front and rear sights on the same line. Ensure there is equal spacing on either side of the front sight when viewed through the rear sight and that the two sights are level (Picture 7).



## SHOOTING

- Put your finger on the trigger and pull the trigger slowly (Picture 2).
- Do not aim your pistol off the target until you are finished shooting.
- When the last round is fired, the slide locks in the rear position, held by the slide catch (Picture 8).
- Take the magazine out by pressing the magazine release button.
- To continue shooting, replace with a loaded magazine.
- Push the slide stop down to release the slide to reload the pistol, or pull the slide to the rear and let it go forward freely (Picture 8).

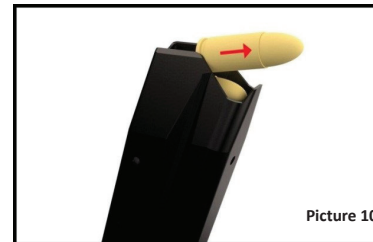


#### UNLOADING THE PISTOL

- The pistol can still be loaded even when the magazine is removed.
- Point the barrel of the pistol in a safe direction.
- Press the magazine release button to take the magazine out (Picture 9).
- Pull the slide back to remove the cartridge from the chamber (Picture 9).
- Release the slide back to the front, after ensuring that the chamber is empty (visually and physically ensure there is not a cartridge in the chamber).

#### UNLOADING THE MAGAZINE

- Push the cartridge forward until releasing from the magazine (Picture 10).
- Continue this until extracting all the cartridges from the magazine.





## **WARNING**

Use only original factory ammunition and make sure that the caliber of the ammunition and the pistol is the same. Use of reloaded ammunition voids warranty.

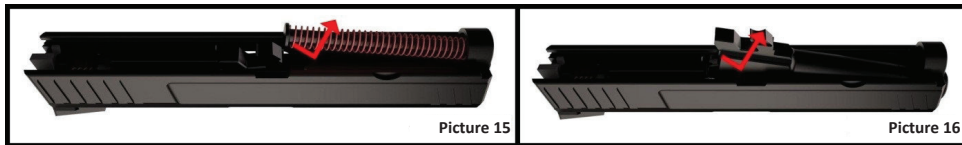
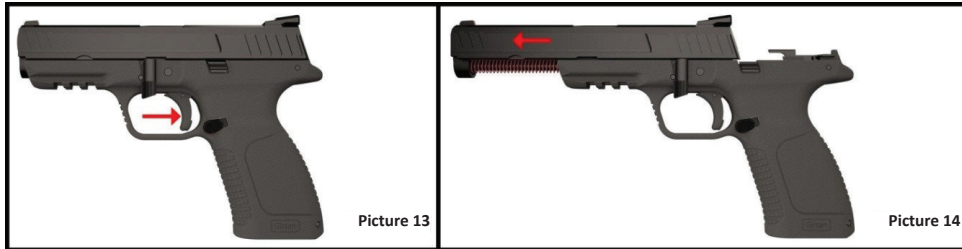
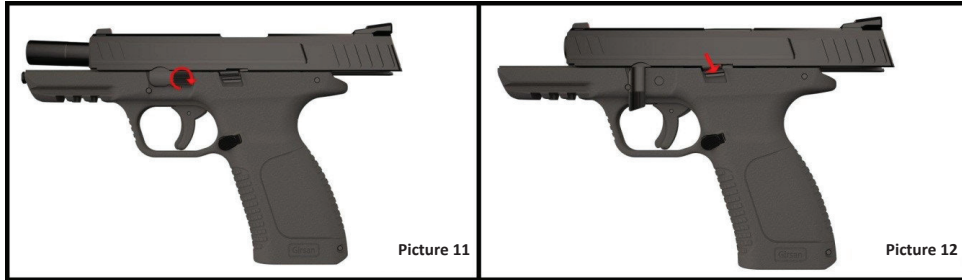
## **8. MAINTENANCE AND CLEANING**

- Make sure that the pistol is unloaded before starting maintenance.
- If the pistol is not unloaded follow unloading instructions (see *Unloading the Pistol*, page 17).
- Cleaning the pistol should be done after every shooting. The cleaning kit provided with the pistol includes two cleaning brushes, one ramrod, and oil. It is appropriate to substitute other cleaning products in place of oil.

### **DISASSEMBLY OF THE PISTOL**

Make sure that the pistol is unloaded before disassembly of the pistol.

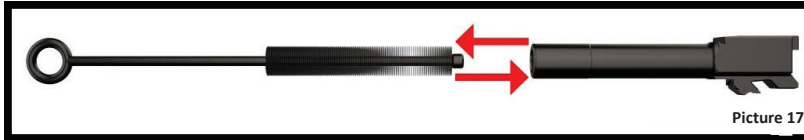
- Take the magazine out by pressing the magazine release button (Picture 9).
- Pull the slide back to the end and push the slide stop up to lock the slide open (Picture 11).
- Turn the take down lever clockwise (Picture 11).
- Hold the slide, release the slide stop, and ease the slide forward (Picture 12).
- While pointing the firearm in a safe direction, pull the trigger and guide the slide forward off the frame (Picture 13 and 14).
- Remove the recoil spring from the slide (Picture 15).
- Remove the barrel from the slide (Picture 16).



### CLEANING THE PISTOL

Cleaning and oiling the barrel:

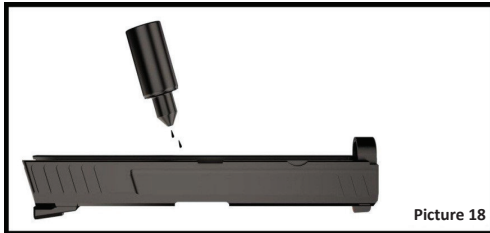
- Spray a little gun oil on the brush.
- Brush the inside of the barrel by pushing forward and backwards (Picture 17).
- Wipe the inside of the barrel with a clean and dry patch until the patch comes out clean.



Picture 17

Cleaning the slide and oiling:

- Clean the slide with the oiled brush.
- Lightly oil the slide (Picture 18).
- A good method is to allow a drop of oil to flow down the slide rails by gravity.



Picture 18

*Note: Other firearms cleaners can be used in place of oil.*

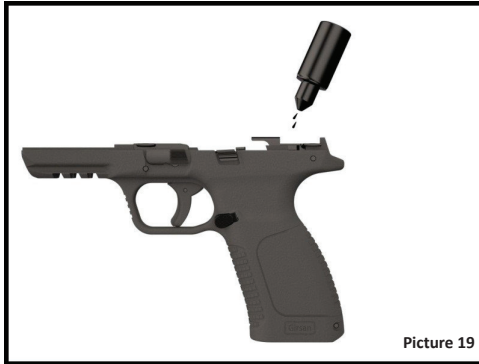


**WARNING**

Do not oil the firing pin hole while cleaning.

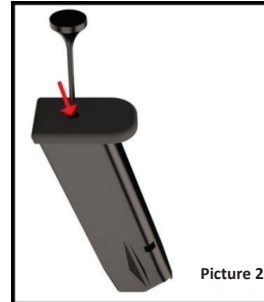
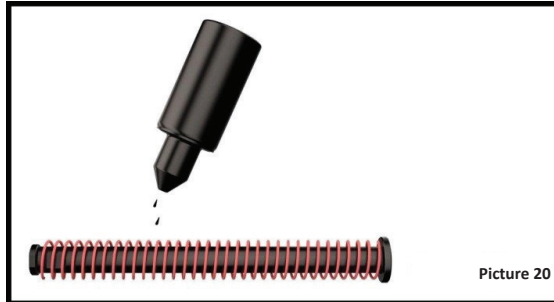
Clean and oil the frame:

- Clean all surfaces carefully.
- Put a light coat of oil on the rails and trigger bar – sear connection (Picture 19).



Clean and oil the recoil spring and recoil rod:

- Lightly oil the recoil spring and recoil rod (Picture 20).

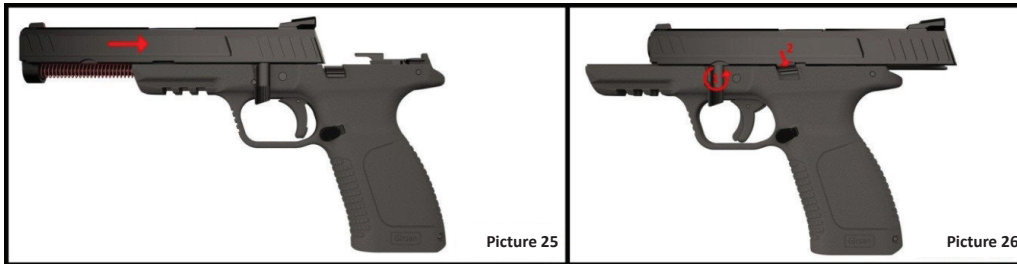


Clean and oil the magazine:

- Make sure the magazine is empty.
- Pull the magazine butt-plate down and remove it utilizing the tool provided to unlock the floor plate (Picture 21 and Picture 22).
- Remove debris inside the magazine with the brush.
- Clean the inside and outside of the magazine
- Assemble the magazine by applying the reverse method of disassembly (Picture 21 and Picture 22).

### ASSEMBLY OF THE PISTOL

- Put the barrel inside the slide (Picture 23).
- Put the recoil spring in the slide group and make sure the recoil rod is fitted to the barrel notch correctly (Picture 24).
- Put the slide group in the rails on the frame as shown (Picture 25).
- Take the slide back to the end and push the slide stop up until it catches.
- Then rotate the take down lever counter clockwise (Picture 26).
- Release the slide stop.

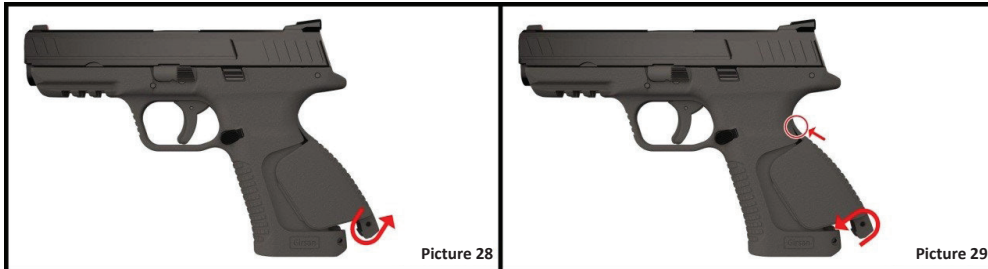




## 9. CHANGING THE BACKSTRAP

The provided backstraps (small, medium, large) can be changed utilizing the provided tool.

- Take the grip pin out by using the special tool (Picture 27).
- Take the backstrap out from the grip (Picture 28).
- Put the desired backstrap on the grip and insert the pin (Picture 29).

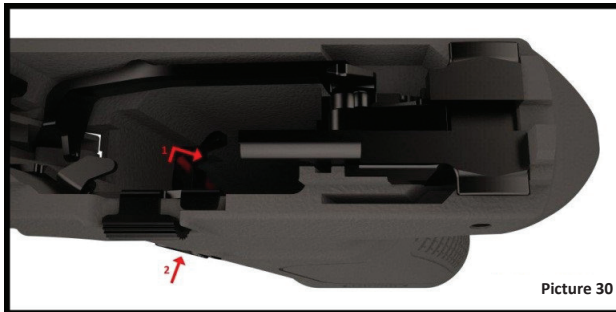


## 10. REVERSING THE MAGAZINE RELEASE

It is recommended that a gunsmith or armorer is used for this procedure.

Left handed shooters can change the magazine release to the right side by following the instructions below:

- Take the slide group from the frame (see *Disassembly*, page 21).
- Release the magazine release spring from the magazine release (Picture 30-1).
- Take the magazine release from the frame by pulling gently (Picture 30-2).
- Assemble the magazine release for the left handed usage by following the instructions in reverse.

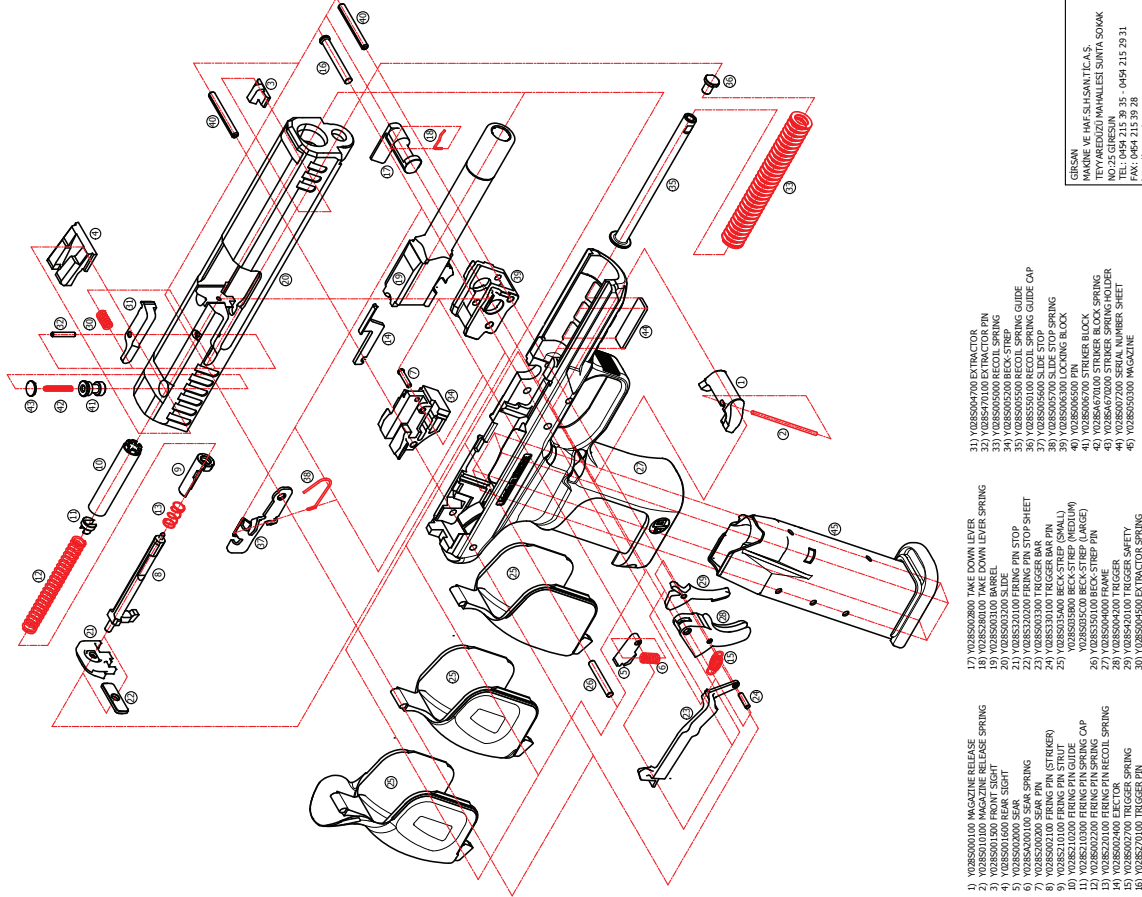


## 11. TROUBLESHOOTING

PROBLEM	POSSIBLE REASON	SOLUTION
Misfire	Damaged cartridges	Replace cartridges
	Firing pin problem	Clean the firing pin
		Send it to the authorized service center
	The slide did not close correctly	Check for obstruction
Send it to the authorized service center		
Feeding problem	Magazine is not inserted correctly	Re-insert the magazine into the magazine well
	Faulty magazine	Exchange the magazine
	Dirty magazine	Clean the magazine
Ejection problem	Dirty chamber	Clean and oil lightly
	Ejection problem	Send it to the authorized service center
	Extraction problem	Send it to the authorized service center

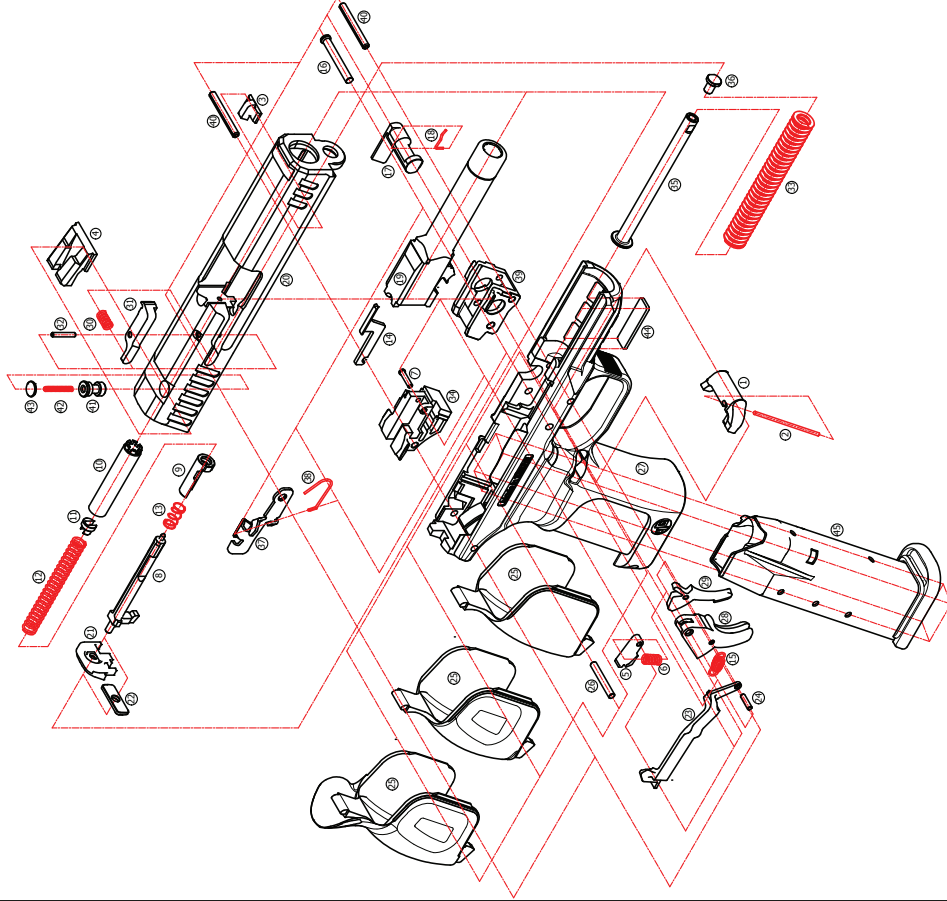
## 12. EXPLODED DRAWINGS

(9x19 mm) MC28 SA EXPLODED DRAWING



GRSAR  
MAKINE VE HAYSHISANTIC A.Ş.  
MARMARA YOLU, KAVAYIŞLI, SAKARYA  
NO:25 GİRESUN  
TEL: 0494 215 39 35 - 0494 215 29 31  
FAX: 0494 215 39 28  
E-MAIL: gresar@grsaran.com  
e-posta: gresar@grsaran.com

(9x19 mm) MC28 SAC EXPLODED DRAWING



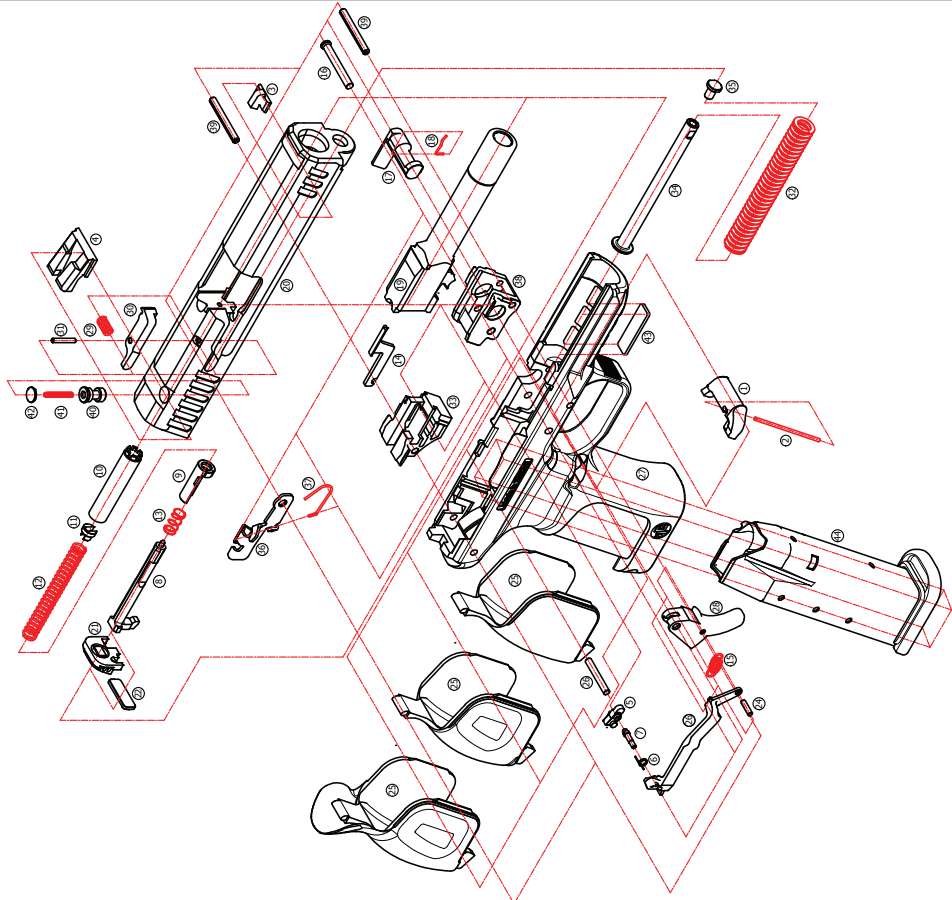
- 1) Y028S00100 MAGAZINE RELEASE
- 2) Y028S01000 MAGAZINE RELEASE
- 3) Y028S01000 SIGHT
- 4) Y028S01000 BEAM SIGHT
- 5) Y028S02000 SEAR
- 6) Y028SA00100 SEAR SPRING
- 7) Y028S02000 STRIKER
- 8) Y028S02100 FIRING PIN (STRIKER)
- 9) Y028S21000 FIRING PIN (STRIKER)
- 10) Y028S21000 FIRING PIN (STRIKER)
- 11) Y028S21000 FIRING PIN SPRING
- 12) Y028S02000 FIRING PIN SPRING
- 13) Y028S21000 FIRING PIN RECOIL SPRING
- 14) Y028S02000 TRIGGER SPRING
- 15) Y028S02000 TRIGGER SPRING
- 16) Y028S21000 TRIGGER PIN

- 17) Y028S02800 TAKE DOWN LEVER
- 18) Y028S28100 TAKE DOWN LEVER SPRING
- 19) Y028S28100 TAKE DOWN LEVER SPRING
- 20) Y028S28100 SLIDE
- 21) Y028S320100 FIRING PIN STOP SHEET
- 22) Y028S320100 FIRING PIN STOP SHEET
- 23) Y028S320100 FIRING PIN STOP SHEET
- 24) Y028S320100 TRIGGER BAR PIN
- 25) Y028S03500 BECA-STREP (SMALL)
- 26) Y028S350100 BECA-STREP (LARGER)
- 27) Y028S04000 FRAME
- 28) Y028S04000 FRAME
- 29) Y028S420100 TRIGGER SAFETY
- 30) Y028S04000 EXTRACTOR SPRING

- 31) Y028S04000 EXTRACTOR
- 32) Y028S470100 EXTRACTOR PIN
- 33) Y028S050000 RECOIL SPRING
- 34) Y028S050000 RECOIL SPRING
- 35) Y028S050000 RECOIL SPRING GUIDE CAP
- 36) Y028S550100 RECOIL SPRING GUIDE CAP
- 37) Y028S060000 LOCKING BLOCK
- 38) Y028S060000 LOCKING BLOCK
- 39) Y028S060000 LOCKING BLOCK
- 40) Y028S060000 PIN
- 41) Y028S060000 PIN
- 42) Y028S670100 STRIKER BLOCK SPRING
- 43) Y028S670200 STRIKER SPRING HOLDER
- 44) Y028S670200 STRIKER SPRING HOLDER
- 45) Y028S050100 MAGAZINE

GRSIN  
 I.F.E. S.p.A. S.p.A. S.T.C.S.  
 TOYABETEZO MAHALESI SANTA-SOAK  
 NO.25 GRESIN  
 TEL: 0494 212 39 35 - 0494 212 29 31  
 FAX: 0494 212 39 35  
 http://www.grsin.com  
 e-posta: gran@grsin.com

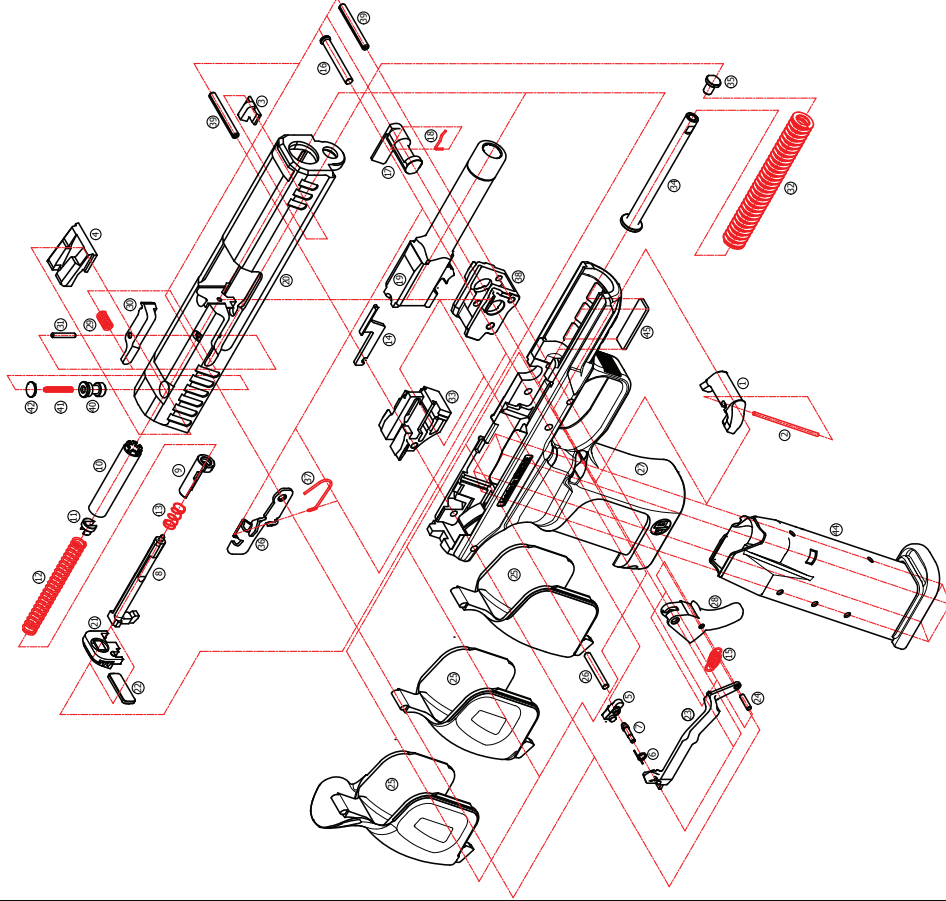
(9x19 mm) MC28 DA EXPLODED DRAWING



- |  |   |   |
|--|---|---|
| 1) Y038500100 MAGAZINE RELEASE         | 17) Y03850090 TAKE DOWN LEVER           | 30) Y028506700 EXTRACTOR                |
| 2) Y0385001500 MAGAZINE RELEASE SPRING | 18) Y0385026000 TAKE DOWN LEVER SPRING  | 31) Y0285070100 EXTRACTOR PIN           |
| 3) Y0385001500 FRONT SIGHT             | 19) Y0385003100 BARREL                  | 32) Y0285000000 RECOIL SPRING           |
| 4) Y0385002000 FRONT SIGHT SPRING      | 20) Y0385003200 BARREL SPRING           | 33) Y0285005000 RECOIL SPRING GUIDE     |
| 5) Y0385002000 FRONT SIGHT CAP         | 21) Y038500320100 FIRING PIN STOP       | 34) Y0285005500 RECOIL SPRING GUIDE CAP |
| 6) Y0285000100 SEAR                    | 22) Y038500320200 FIRING PIN STOP SHEET | 35) Y0285005500 SLIDE STOP              |
| 7) Y0385000100 SEAR SPRING             | 23) Y0385003300 TRIGGER BAR PIN         | 36) Y0285005600 SLIDE STOP SPRING       |
| 8) Y0385000100 SEAR PIN (STRIKER)      | 24) Y0385003300 TRIGGER BAR PIN SPRING  | 37) Y0285006000 LOCKING BLOCK           |
| 9) Y0385210100 FIRING PIN STRUT        | 25) Y0385003500 BECK-STREIF (SMALL)     | 38) Y0285006300 LOCKING BLOCK SPRING    |
| 10) Y0385210000 FIRING PIN GUIDE       | Y0385003500 BECK-STREIF (MEDIUM)        | 39) Y0285006500 PIN                     |
| 11) Y0385210000 FIRING PIN SPRING      | Y0385003500 BECK-STREIF (LARGE)         | 40) Y0285006500 LOCKING BLOCK SPRING    |
| 12) Y0385202000 FIRING PIN SPRING CAP  | 26) Y0385201000 BECK-STREIF PIN         | 41) Y0285070100 STRIKER SPRING          |
| 13) Y0385202000 IENE VERINE GETREN / V | 27) Y0385004000 FRAME                   | 42) Y0285070200 STRIKER SPRING HOLDER   |
| 14) Y0385004000 ELECTOR SPRING         | 28) Y0385004500 TRIGGER                 | 43) Y0285007200 SERIAL NUMBER SHEET     |
| 15) Y0385004500 TRIGGER SPRING         | 29) Y0385004500 TRIGGER SPRING          | 44) Y0285007300 MAGAZINE                |
| 16) Y0385270100 TRIGGER PIN            | 30) Y028506700 EXTRACTOR                |   |

GIBSAN  
 MAKINE VE HAV. SAN. TIC. A.Ş.  
 İZMİR / GAZİPAŞA MAHALLESİ SULTAN SOYAK  
 NO:25 GIBSAN  
 TEL: 0454 215 29 35 - 0454 215 29 31  
 FAX: 0454 215 29 28  
 e-posta: gisan@gisan.com

(9x19 mm) MC28 DAC EXPLODED DRAWING



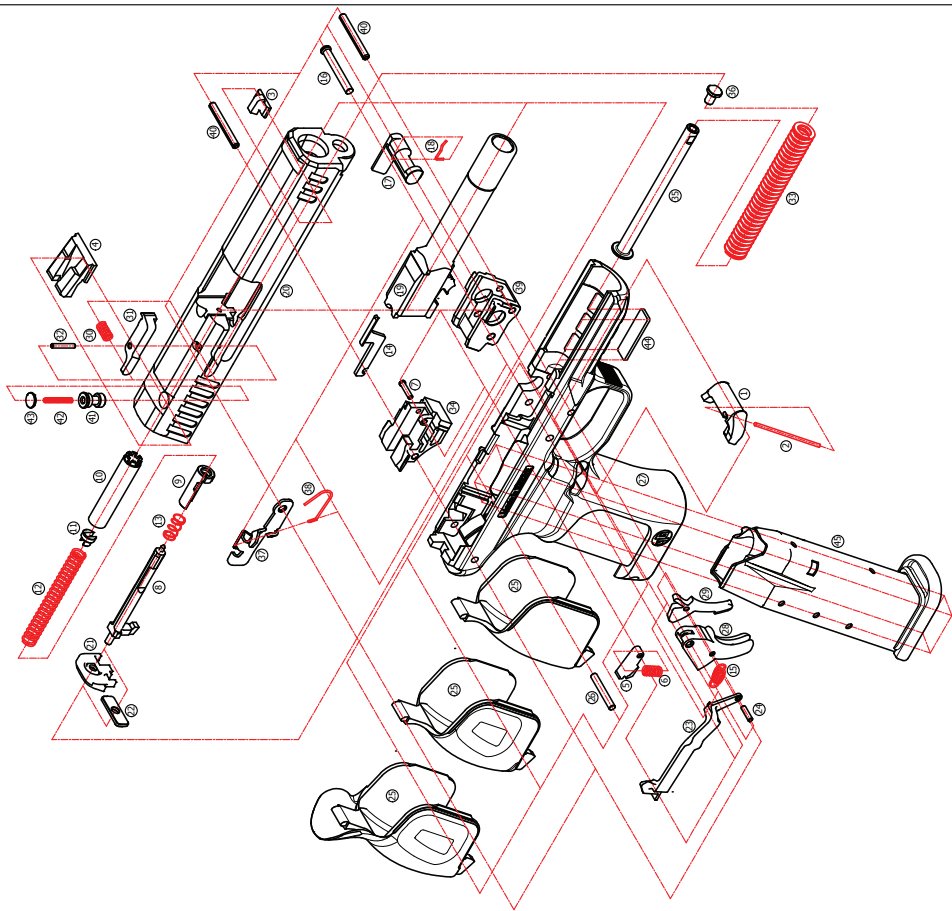
- 1) Y028S001000 MAGAZINE RELEASE
- 2) Y028S010000 MAGAZINE RELEASE SPRING
- 3) Y028S010000 MAGAZINE RELEASE STOP
- 4) Y028S010000 BEAK LIGHT
- 5) Y028R0000000 SEAR
- 6) Y028R0000100 SEAR SPRING
- 7) Y028S010000 FIRING PIN STRUT
- 8) Y028R0002100 FIRING PIN (STRIKER)
- 9) Y028S020000 FIRING PIN SPRING CAP
- 10) Y028S020000 FIRING PIN SPRING
- 11) Y028S020000 FIRING PIN RECOIL SPRING
- 12) Y028S020000 FIRING PIN SPRING
- 13) Y028S020000 FIRING PIN RECOIL SPRING
- 14) Y028R0000700 TRIGGER SPRING
- 15) Y028S000700 TRIGGER SPRING
- 16) Y028S020100 TRIGGER PIN

- 17) Y028S002800 TAKE DOWN LEVER
- 18) Y028S280100 TAKE DOWN LEVER SPRING
- 19) Y028S280100 TAKE DOWN LEVER STOP
- 20) Y28R00003200 SLIDE
- 21) Y028R020100 REFRING PIN STOP SHEET
- 22) Y028R020200 FIRING PIN STOP SHEET
- 23) Y028R020300 TRIGGER BAR PIN
- 24) Y028S33000 TRIGGER BAR PIN
- 25) Y028S035000 BECK-STEP (SMALL)
- 26) Y028S350000 BECK-STEP (LARGE)
- 27) Y028S350000 BECK-STEP (LARGE)
- 28) Y028S040000 TRIGGER
- 29) Y028S040000 EXTRACTOR SPRING

- 30) Y028S040700 EXTRACTOR
- 31) Y028S470000 EXTRACTOR PIN
- 32) Y028S470000 EXTRACTOR SPRING
- 33) Y028R000200 BECK-STRIP
- 34) Y28S42000500 RECOIL SPRING GUIDE
- 35) Y028S550100 RECOIL SPRING GUIDE CAP
- 36) Y028S550100 RECOIL SPRING GUIDE
- 37) Y028S050700 SLIDE STOP SPRING
- 38) Y028S060000 LOCKING BLOCK
- 39) Y028S060000 LOCKING BLOCK
- 40) Y028R000700 STRIKER BLOCK
- 41) Y028S70000 STRIKER BLOCK SPRING
- 42) Y028S700000 STRIKER SPRING HOLDER
- 43) Y028S700000 STRIKER SPRING SHEET
- 44) Y028S0503000 MAGAZINE

GIRAN  
 HIF, s.r.l. s.p.a. s.r.l. s.p.a.  
 TOYABERUZI MAHALLESI SIVITA SOKAK  
 NO:25 GRESIN  
 TEL: 0454 215 39 35 - 0454 215 39 31  
 FAX: 0454 215 39 31  
 http://www.giran.com  
 e-posta: giran@giran.com

(.40S&W) MC28.40 SA EXPLODED DRAWING



- 1) Y038500100 MAGAZINE RELEASE
- 2) Y038501000 MAGAZINE RELEASE SPRING
- 3) Y038501500 FRONT SIGHT
- 4) Y038502000 REAR SIGHT
- 5) Y038502000 SEAR
- 6) Y038520000 SEAR SPRING
- 7) Y038502000 SEAR PIN
- 8) Y038520000 STRIKER (STRIKER)
- 9) Y038521000 FIRING PIN STRUT
- 10) Y038521000 FIRING PIN GUIDE - CAP
- 11) Y038522000 FIRING PIN SPRING
- 12) Y038522000 FIRING PIN SPRING
- 13) Y038522000 FIRING PIN RECOL SPRING
- 14) Y038500400 ELECTOR SPRING
- 15) Y038500400 ELECTOR SPRING
- 16) Y038527000 TRIGGER PIN

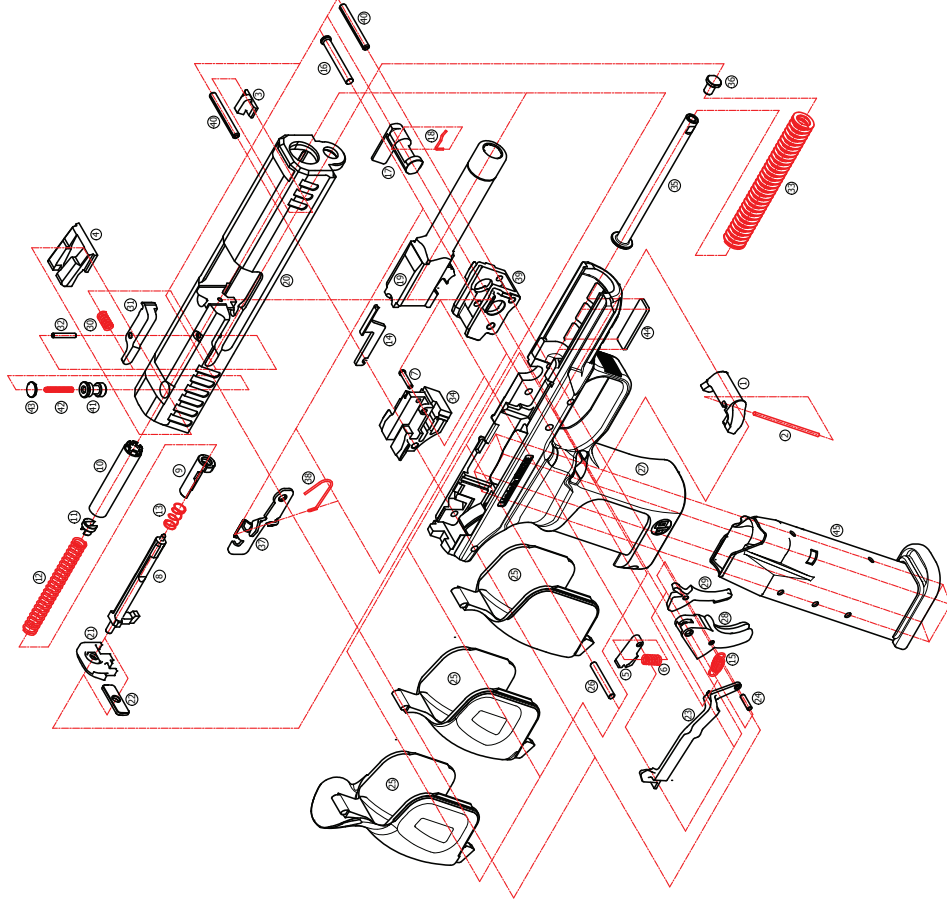
- 17) Y038503000 TAKE DOWN LEVER
- 18) Y038528000 TAKE DOWN LEVER SPRING
- 19) Y038400300 BARREL
- 20) Y038503000 BARREL SPRING
- 21) Y038520100 FIRING PIN STOP SHEET
- 22) Y038503000 TRIGGER BAR PIN
- 23) Y038503000 TRIGGER BAR PIN
- 24) Y038503500 BECK-STRIP (MEDIUM)
- 25) Y038503500 BECK-STRIP (SMALL)
- 26) Y038503500 BECK-STRIP (MEDIUM)
- 27) Y038504000 FRAME
- 28) Y038504000 FRAME SPRING
- 29) Y038504000 FRAME SPRING
- 30) Y038504500 EXTRACTOR SPRING

- 31) Y038504500 EXTRACTOR
- 32) Y038547000 EXTRACTOR PIN
- 33) Y038505000 RECOL SPRING
- 34) Y028500200 BECK-STRIP
- 35) Y028500200 BECK-STRIP
- 36) Y028555000 RECOL SPRING GUIDE CAP
- 37) Y028505600 SLIDE STOP
- 38) Y028505600 SLIDE STOP SPRING
- 39) Y028505000 LOCKING BULOG
- 40) Y028506000 PIN
- 41) Y028506000 STRIKER BLOCK
- 42) Y028506000 STRIKER BLOCK SPRING
- 43) Y028567000 STRIKER SPRING HOLDER
- 44) Y028507000 SERIAL NUMBER SHEET
- 45) Y028507000 SERIAL NUMBER SHEET

GRISA  
 MARINE VF 541-S&W-TICA.S.  
 00125 GRISA  
 00245 GRISA  
 TEL: 0454 215 39 35 - 0454 215 29 31  
 FAX: 0454 215 39 28  
 e-posta: gspan@grisa.com



(.40S&W) MC28.40 SAC EXPLODED DRAWING



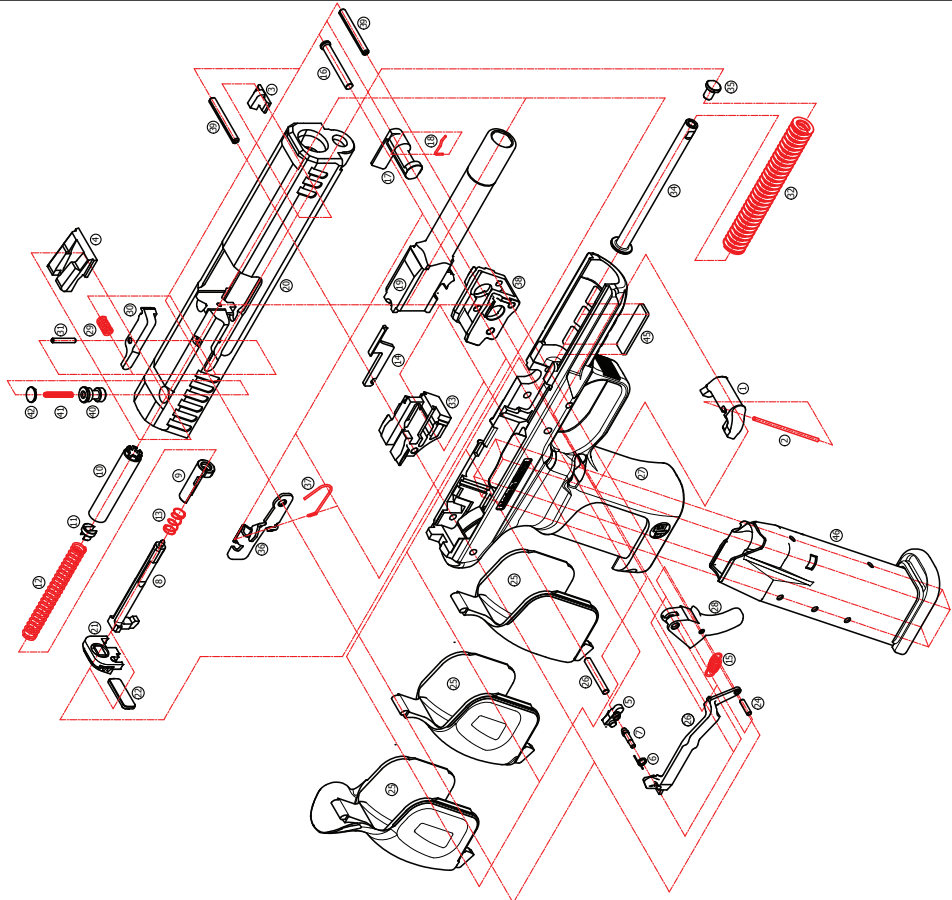
- 1) Y028500100 MAGAZINE RELEASE
- 2) Y02850100 MAGAZINE RELEASE SPRING
- 3) Y028501000 BEAM
- 4) Y028501000 BEAM SPRING
- 5) Y028502000 SEAR
- 6) Y028504000 SEAR SPRING
- 7) Y028502100 FIRING PIN (STRIKER)
- 8) Y028502100 FIRING PIN STRUT
- 9) Y028502100 FIRING PIN SPRING CAP
- 10) Y028502100 FIRING PIN SPRING
- 11) Y028502100 FIRING PIN RECOIL SPRING
- 12) Y028502100 FIRING PIN SPRING
- 13) Y028502100 FIRING PIN SPRING
- 14) Y028502100 FIRING PIN SPRING
- 15) Y028502100 TRIGGER SPRING
- 16) Y0285270100 TRIGGER PIN

- 17) Y028502800 TAME DOWN LEVER
- 18) Y0285280100 TAME DOWN LEVER SPRING
- 19) Y0285280100 TAME DOWN LEVER SPRING
- 20) Y028503000 SLIDE
- 21) Y0285320100 FIRING PIN STOP SHEET
- 22) Y0285320100 FIRING PIN STOP SHEET
- 23) Y0285320100 FIRING PIN STOP SHEET
- 24) Y0285330100 TRIGGER BAR PIN
- 25) Y028503400 BECK-STREPS(SMALL)
- 26) Y0285350100 BECK-STREP (LARGE)
- 27) Y0285350100 BECK-STREP (LARGE)
- 28) Y028504000 TRIGGER SPRING HOLDER
- 29) Y028504000 TRIGGER SPRING HOLDER
- 30) Y028504000 TRIGGER SAFETY
- 31) Y028504000 EXTRACTOR SPRING

- 31) Y0284009700 EXTRACTOR
- 32) Y028470100 EXTRACTOR PIN
- 33) Y0285009000 RECOIL SPRING
- 34) Y0285009000 RECOIL SPRING
- 35) Y0285009500 RECOIL SPRING GUIDE CAP
- 36) Y0285550100 RECOIL SPRING GUIDE
- 37) Y0285550100 RECOIL SPRING GUIDE
- 38) Y028500700 SLIDE STOP SPRING
- 39) Y0285006300 LOCKING BLOCK
- 40) Y0285006500 PIN
- 41) Y0285006500 PIN
- 42) Y0285006500 PIN
- 43) Y0285007000 STRIKER SPRING HOLDER
- 44) Y0285007000 STRIKER SPRING HOLDER
- 45) Y0285005100 MAGAZINE

GRSIN  
 WE SALES S.R.L.S.  
 TOYARETUZI MAHALESI SANTA SOAK  
 NO.25 GRESIN  
 TEL: 0454 215 39 35 - 0454 215 29 31  
 http://www.grsin.com  
 e-posta: grsin@grsin.com

(.40S&W) MC28.40 DA EXPLODED DRAWING



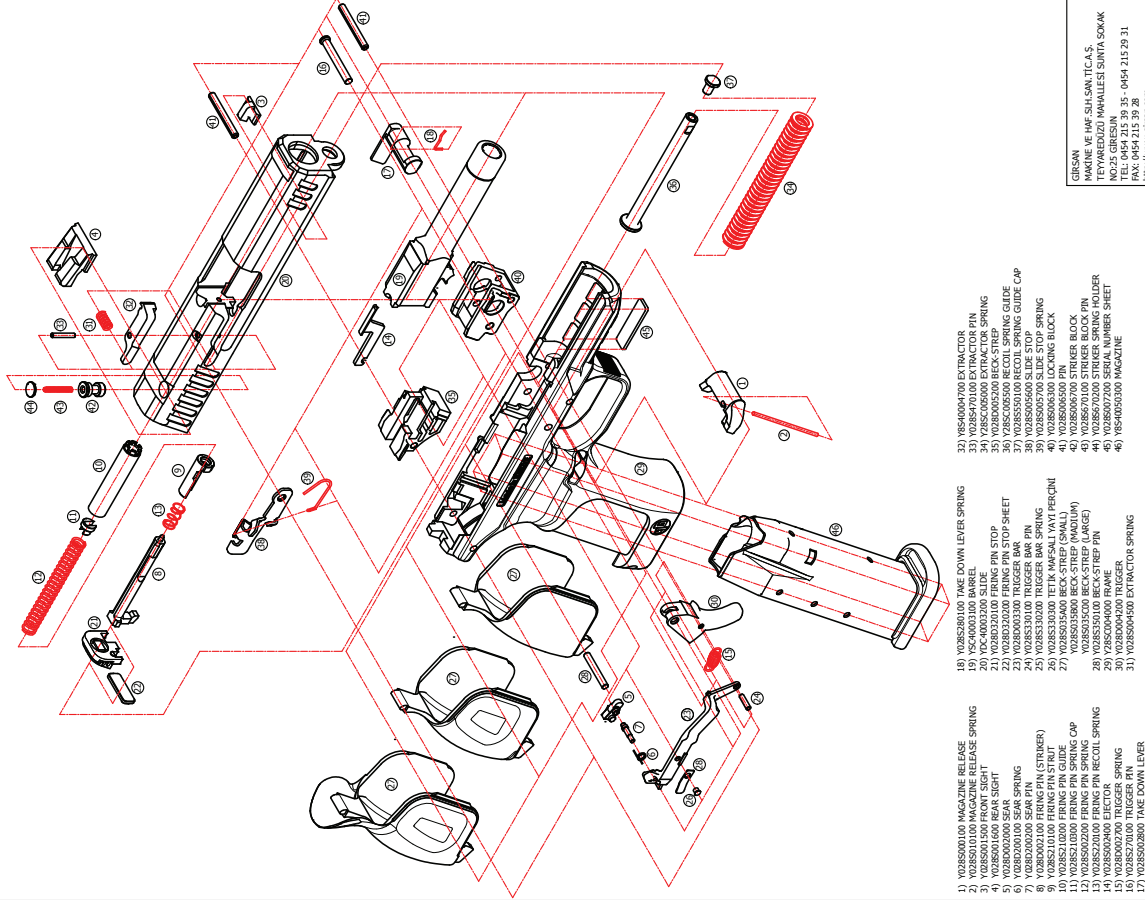
- 1) Y02800100 MAGAZINE RELEASE
- 2) Y02801000 MAGAZINE RELEASE SPRING
- 3) Y02801050 FRONT SIGHT
- 4) Y028000200 SEAR
- 5) Y0280002000 SEAR SPRING
- 6) Y0280001000 SEAR SPRING
- 7) Y028021000 FIRING PIN STRUT
- 8) Y028021000 FIRING PIN STRUT SPRING
- 9) Y028021000 FIRING PIN STRUT (SMALL)
- 10) Y028021000 FIRING PIN STRUT (MEDIUM)
- 11) Y028021000 FIRING PIN STRUT (LARGE)
- 12) Y028020200 FIRING PIN SPRING CAP
- 13) Y028020200 FIRING PIN RECOIL SPRING
- 14) Y028020200 TRIGGER SPRING
- 15) Y028020700 TRIGGER SPRING

- 17) Y028002800 TAKE DOWN LEVER
- 18) Y0280280100 TAKE DOWN LEVER SPRING
- 19) Y02804003100 BARREL
- 20) Y0280020000 BARREL STOP
- 21) Y0280202000 FIRING PIN STOP SHEET
- 22) Y0280202000 FIRING PIN STOP SHEET (SMALL)
- 23) Y0280202000 FIRING PIN STOP SHEET (MEDIUM)
- 24) Y0280202000 FIRING PIN STOP SHEET (LARGE)
- 25) Y028033100 TRIGGER BAR PIN
- 26) Y0280330000 BECK-STREP (SMALL)
- 27) Y0280330000 BECK-STREP (MEDIUM)
- 28) Y0280330000 BECK-STREP (LARGE)
- 29) Y0280005000 EXTRACTOR SPRING

- 30) Y028004700 EXTRACTOR
- 31) Y0280470100 EXTRACTOR PIN
- 32) Y0280500000 RECOIL SPRING
- 33) Y0280500000 RECOIL SPRING GUIDE
- 34) Y0280500500 RECOIL SPRING GUIDE CAP
- 35) Y0280550100 RECOIL SPRING GUIDE
- 36) Y0280500500 SLIDE STOP
- 37) Y0280500500 SLIDE STOP SPRING
- 38) Y0280500500 LOCKING BLOCK
- 39) Y0280500500 PIN
- 40) Y0280500500 PIN SPRING
- 41) Y0280500500 PIN SPRING GUIDE
- 42) Y0280570100 STRIKER SPRING HOLDER
- 43) Y0280570100 STRIKER SPRING HOLDER
- 44) Y0280570100 STRIKER SPRING HOLDER
- 45) Y0280570100 STRIKER SPRING HOLDER
- 46) Y0280500500 MAGAZINE

GRISAN  
 MANUFACTURE SUISSANNE S.A.S.  
 11000 CHAMBERY - FRANCE  
 TEL: 0474 215 39 35 - 0474 215 39 31  
 FAX: 0474 215 39 38  
 e-mail: grisan@grisan.com

(.40S&W) MC28.40 DAC EXPLODED DRAWING



GRSIN  
 S.p.A. - V.le S.ILVANO, 11 C.A.S.  
 TEYANERUZI MAHALESI SUNITA SOKAK  
 NO.25 GRESIN  
 TEL: 0454 215 39 35 - 0454 215 29 31  
 FAX: 0454 215 39 35  
 http://www.grsin.com  
 e-posta: grsin@grsin.com



## Zenith Firearms Warranty

At Zenith Firearms, we believe in the quality of our firearms, and we want you to as well.

Age and wear cannot be covered under warranty, as the mechanical parts and materials that make up firearms eventually wear out. However, defective parts, materials, and workmanship are not acceptable, and we will stand behind our products. We warrant our firearms to be free from defects in performance and workmanship for five years from the date of purchase. If you have a problem that is directly attributable to the quality of our product, it's on us to make it right, shipping and handling included.

However, if you abuse, improperly maintain, or alter the internal workings of your Zenith firearm in any way, we will not warranty damage that occurs. Likewise, if you use improper or incompatible ammunition or parts, we will not warranty damage that occurs. This includes altering a serial number.

If you have a problem with your firearm, ship it to us for inspection:

ZENITH FIREARMS, ATTN: WARRANTY  
10950 Rockfish Valley Highway, Suite C  
Afton, VA 22920.

We recommend that you send your firearm through a licensed FFL dealer, or by insured shipping via FedEx or UPS (but not through the U.S. Mail).

### RETURN WITHOUT REPAIR

If we receive your firearm and determine that its damage is unwarrantable, we will contact you with an explanation and an estimation of your cost to have us repair or refurbish it. If you would rather we simply return your firearm to you, we will cover the cost of shipping to do so.

### FREE REPAIR AND RETURN

If your firearm is defective and we determine the defect is warranted, Zenith will try to repair it. If we repair your firearm, after doing so we will ship it directly back to you, provided you originally shipped it to us from your address. If your firearm cannot be repaired, we will consider replacing it. If we end up replacing your firearm, we will ship it back to you via a licensed FFL dealer, and there may be additional charges that you'll have to cover, such as transfer fees and background check fees. In either case, though, we will pay for shipping.

### LIMITATIONS ON WARRANTY

OUR ONLY RESPONSIBILITY IN THE CASE OF BREACH OF WARRANTY IS REPAIR. ZENITH FIREARMS SHALL NOT BE LIABLE FOR ANY OTHER DAMAGES, INCLUDING DIRECT, INDIRECT, OR CONSEQUENTIAL DAMAGES.

Please Note: This warranty gives you specific legal rights, and you may also have other rights, which vary from state to state, as some jurisdictions do not allow limitations on certain damages and warranties.





## Zenith Firearms

10950 Rockfish Valley Highway, Suite C, Afton, VA 22920

Tel: 434.202.7790 | Fax: 800.466.4444 | [info@zenithfirearms.com](mailto:info@zenithfirearms.com) | [www.zenithfirearms.com](http://www.zenithfirearms.com)