

# OWNER'S MANUAL

COACH GUN/UPLANDER  
SIDE BY SIDE SHOTGUN

## ***SUPREME***

**SINGLE TRIGGER  
EXTRACTOR MODEL**



# **STOEGER**

# SUPREME

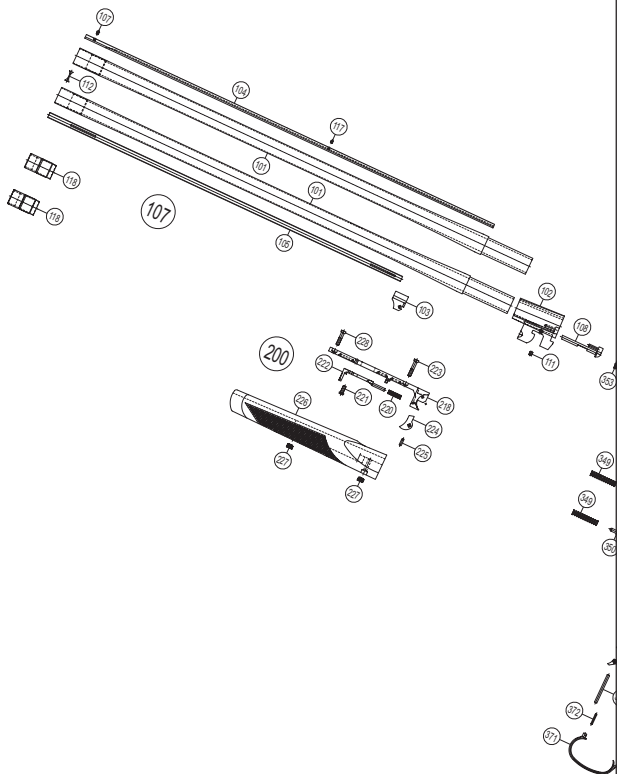
---

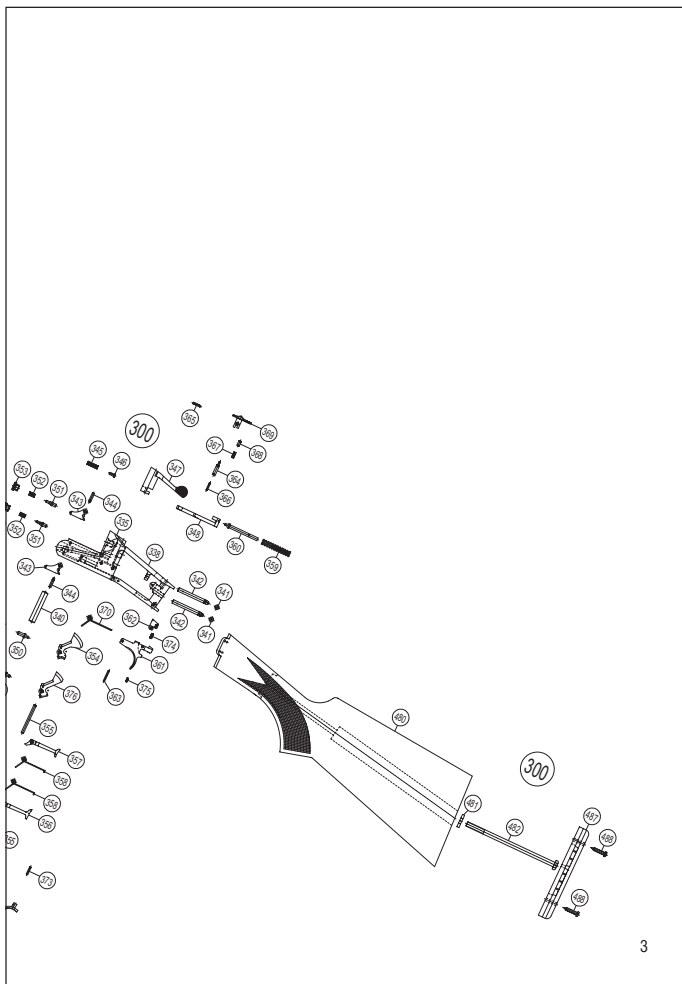
SINGLE TRIGGER EXTRACTOR  
MODEL

---



# SUPREME - SINGLE TRIGGER SIDE/SIDE EXTRACTOR MODEL





<b>P. N.º</b>	<b>Code N.º</b>	<b>Description</b>	<b>Quant.</b>
	C-12-100	BARREL ASSEMBLY	-
101	C-12-101	Barrel	2
102	C-12-102	Barrel Latch	1
103	C-12-103	Forearm Iron Catch	1
104	C-12-104	Top Rib	1
105	C-12-105	Bottom Rib	1
107	C-12-107	Front Sight	1
108	C-12-108	Extractor	1
111	C-12-111	Extractor Limiting Screw	1
112	C-12-112	Barrel Junction Profile	1
117	C-12-117	Intermediate Sight	1
118	C-12-118	Screw-in Choke Tubes	2
	C-12-200	FOREARM ASSEMBLY	-
218	C-12-218	Forearm/Rod Iron	1
220	C-12-220	Forearm Lock Spring	1
221	C-12-221	Forearm Lock Screw	1
222	C-12-222	Forearm Lock	1
223	C-12-223	Long Forearm Fastening Screw	1
224	C-12-224	Extractor Actuator	1
225	C-12-225	Extractor Actuator Pin	1
226	C-12-226	Wood Forend	1
227	C-12-227	Forend Fastening Nut	2
228	C-12-228	Short Forend Fastening Screw	1
	C-12-300	FRAME ASSEMBLY	-
335	C-12-335	Frame	1
338	C-12-338	Frame Tail	1
340	C-12-340	Trunnion Pin	1
341	C-12-341	Cocking Pin Ring	2
342	C-12-342	Hammer Cocking Pin	2

<b>P. N.º</b>	<b>Code N.º</b>	<b>Description</b>	<b>Quant.</b>
343	C-12-343	Cocking Levers Actuator	2
344	C-12-344	Actuator Fastening Pins	2
345	C-12-345	Lever Lock Spring	1
346	C-12-346	Lever Spring Pin	1
347	C-12-347	Top Lever	1
348	C-12-348	Lever Lock	1
349	C-12-349	Hammer Impeller Springs	2
350	C-12-350	Hammer Impellers	2
351	C-12-351	Firing Pin	2
352	C-12-352	Firing Pin Spring	2
353	C-12-353	Firing Pin Fastening Nut	2
354	C-12-354	Right Hammer	1
355	C-12-355	Hammers and Sears Pin	2
356	C-12-356	Left Sear	1
357	C-12-357	Right Sear	1
358	C-12-358	Sear Springs	2
359	C-12-359	Lock Impeller Spring	1
360	C-12-360	Lock Impeller	1
361	C-12-361	Trigger	1
362	C-12-362	Equalizer	1
363	C-12-363	Trigger Pin	1
364	C-12-364	Trigger Lock Lever	1
365	C-12-365	Trigger Lock Fastening Pin	1
366	C-12-366	Lever Fastening Pin	1
367	C-12-367	Trigger Lock Spring	1
368	C-12-368	Trigger Lock Spherical Pin	1
369	C-12-369	Trigger Lock	1
370	C-12-370	Trigger Actuator Spring	1
371	C-12-371	Trigger Guard	1
372	C-12-372	Trigger Guard Front Fastening Pin	1
373	C-12-373	Trigger Guard Rear Fastening Pin	1

<b>P. N.º</b>	<b>Code N.º</b>	<b>Description</b>	<b>Quant.</b>
374	C-12-374	Equalizer Activator Spring	1
375	C-12-375	Equalizer Fastening Pin	1
376	C-12-376	Left Hammer	1
	C-12-400	STOCK ASSEMBLY	-
480	C-12-480	Wood Stock	1
481	C-12-481	Stock Bolt Washer	1
482	C-12-482	Stock Fastening Screw	1
487	C-12-487	Rubber Butt Pad	1
488	C-12-488	Butt Pad Screws	2

# SUPREME

## — SIDE BY SIDE SHOTGUN —

**TO ASSEMBLE GUN** — Your shotgun is shipped from the factory with barrel assembly and forearm assembly removed from gun. Before assembling, remove forearm and clean lubrication from metal parts and barrel bores. Rotate top lock lever to right (counterclockwise) to can top lock open. Carefully fit barrel assembly into frame. Fit the two small circular cuts on underside of barrel assembly to pivot pins protruding from inside of frame. Hold this engagement and rotate barrel assembly upward until action is closed and top lock latches into place. Carefully place forearm assembly over bottom barrel at a slight angle. Adjust to fit radius on forearm iron to matching radius on front of frame. Press forearm assembly upward to latch into place. Please notice that the lever is slightly loose. This looseness will disappear as the gun adjust with use.

**SAFETY** — The gun has an automatic safety (N.º 369). By opening the gun for loading or unloading, automatically the safety button moves to the “S” position, which indicates that the gun is locked. If on your gun the safety is mechanic, push the button to the “S” position.

**TO LOAD — CAUTION** — Before loading, make sure barrel bores are clean and free of any grease, heavy oil, snow or other obstruction. With safety selector on safe position, rotate top lock lever to right to unlatch top lock. Rotate barrel assembly downward to break (open) action. Place shells into barrel chambers and close and lock action, if required.



**TO UNLOAD** — Rotate top lock lever to right and open action. Shells will be automatically extracted from gun and may be removed by hand, or ejected (if the case).

**TO REMOVE FOREARM IRON ASSEMBLY** — Remove forearm assembly. Unscrew front forearm screw and rear forearm screw. Pull iron from forearm. Slide forearm iron assembly from forearm. Assemble in reverse.

**TO REMOVE FOREARM ASSEMBLY** — Press forearm latch forward. Push front of forearm assembly downward.

**TO REMOVE BARREL ASSEMBLY** — Remove forearm assembly. Open action. Move barrel assembly downward slightly to disengage from pivot pins. Lift upward and remove from frame.

**TO REASSEMBLE STOCK** — If stock has been removed, take special care in reassembly. The stock bolt should be tightened, to torque not exceeding 5 ft. lbs. Overtightening of stock bolt may adversely affect proper functioning of gun.

**CLEANING AND CARE** — Open action. Clean barrel bores with cleaning rod and soft, lightly oiled cloths. If necessary, scrub bores with nitro solvent. Wipe clean and re-oil very lightly.

Should cleaning of parts of forearm iron assembly be required, remove assembly from forearm. Wash assembly in solvent, dry and re-oil sparingly. When using gun in below freezing weather, remove excess oil. If a lubricant is needed use dry graphite or similar non-congealing lubricant, lightly applied. After handling gun, oil wipe all steel parts. Invisible “prints” of moisture can cause rust unless removed. After using in wet weather, always dry and wipe steel parts with oil. Abrupt changes in temperature can also cause wetness due to condensation. Using a quality gun grease, lightly lubricate radius on front of frame where it matches forearm iron,

pivot pins and adjacent inside walls of frame where contact, is made with barrel assembly. Keep all other bearing points and polished breech surfaces clean and lightly oiled. Clean top surfaces of frame. Accumulation of dirt or residue in this area may restrict complete closing of action and prevent gun from firing.

**NOTE** — This gun, like all side by side shotguns, is a precision firearm manufactured to close tolerances. With proper handling it will assemble and function correctly. Never use excessive force in opening or closing barrels to the action. Proper closing can be accomplished by holding the forearm with one hand raising the stock assembly with the other hand until it locks.

Any disassembly of the side by side shotgun described in the Gun Owner's Manual is not recommended unless necessary for repair or replacement of worn or damaged parts. Select a qualified gunsmith or return gun to store. When gun is new, it may be noted that the lock lever may not return to a precise center position when action is closed. This assures that provision has been made for gradual adjustment of locking surfaces.

Our firearms are designed, manufactured and proof tested to standard based factory loaded ammunition. Improperly loaded handloads can be dangerous. The manufactures of this — shotguns cannot assume responsibility for damages injury caused by hanloads or reloaded ammunition.

This gun has been manufactured to factory specifications and shipped from factory suitable for use. Stoeger does not recommend and is not responsible for alteration or modifications on gun not made by authorized personnel, nor the replacement of worn or damaged parts being those not of our manufacture.

Special care should be taken to insure that gun is not loaded with any size other than marked on gun barrel.

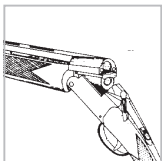
DO NOT SHOOT STEEL SHOT THROUGH A FULL  
CHOKED BARREL

## FIREARM SAFETY



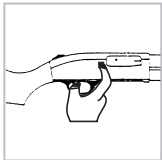
### 1. NEVER POINT A FIREARM AT SOMETHING THAT IS NOT SAFE TO SHOOT.

Never let the muzzle of a firearm point at any part of your body or at another person. This is especially important when loading or unloading the firearm. When you are shooting at a target, know what is behind it. Some bullets can travel over a mile. If you miss your target or if the bullet penetrates the target, it is your responsibility to ensure that the shot does not cause unintended injury or damage.



### 2. ALWAYS TREAT A FIREARM AS IF IT WERE LOADED.

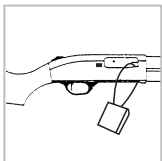
Never assume that a firearm is unloaded. The only certain way to ensure that a firearm is empty is to open the chamber and visually examine the inside to see if a round is present. Removing the magazine will not guarantee that a pistol is unloaded or cannot fire. Shotguns and rifles can be checked by cycling or removing all rounds and by then opening the chamber so that a visual inspection of the chamber for any remaining rounds can be made.





### **3. STORE YOUR FIREARM SO THAT CHILDREN CANNOT GAIN ACCESS TO IT.**

It is your responsibility to insure that children under the age of 18 or other unauthorized persons do not gain access to your firearm. To reduce the risk of accidents involving children, unload your firearm, lock it and store the ammunition in a separate locked location. Please note that devices intended to prevent accidents - for example, cable locks, chamber plugs, etc. - may not prevent use or misuse of your firearm by a determined person. Steel gun safes may be more appropriate to reduce the likelihood of intentional misuse of a firearm by an unauthorized child or person.



### **4. NEVER SHOOT AT WATER OR AT A HARD SURFACE.**

Shooting at the surface of water or at a rock or other hard surface increases the chance of ricochets or fragmentation of the bullet or shot, which can result in the projectile striking an unintended or peripheral target.

**5. KNOW THE SAFETY FEATURES OF THE FIREARM YOU ARE USING, BUT REMEMBER: SAFETY DEVICES ARE NOT A SUBSTITUTE FOR SAFE HANDLING PROCEDURES.**

Never rely solely on a safety device to prevent an accident. It is imperative that you know and use the safety features of the particular firearm you are handling, but accidents can best be prevented by following the safe handling procedures described in these safety rules and elsewhere in the product manual. To further familiarize yourself with the proper use of this or other firearms, take a Firearms Safety Course taught by an expert in firearm use and safety procedures.



**6. PROPERLY MAINTAIN YOUR FIREARM.**

Store and carry your firearm so that dirt or lint does not accumulate in the working parts. Clean and oil your firearm, following the instructions provided in this manual, after each use to prevent corrosion, damage to the barrel or accumulation of impurities which can prevent use of the gun in an emergency. Always check the barrel prior to loading to ensure that it is clean and free from obstructions. Firing against an obstruction can rupture the barrel and injure you or others nearby. In case you hear an unusual

noise when shooting, stop firing immediately, engage the manual safety and unload the firearm. Make sure the chamber is free from any obstruction or possible bullet blocked inside the barrel due to defective or improper ammunition.

#### **7. USE PROPER AMMUNITION.**

Only use factory-loaded, new ammunition manufactured to industry specifications: CIP (Europe and elsewhere), SAAMI (U.S.A.). Be certain that each round you use is in the proper caliber or gauge and type for the particular firearm. The caliber or gauge of the firearm is clearly marked on the barrels of shotguns and on the slide or barrel of pistols. The use of reloaded or remanufactured ammunition can increase the likelihood of excessive cartridge pressures, case-head ruptures or other defects in the ammunition that can cause damage to your firearm and injury to yourself or others nearby.



#### **8. ALWAYS WEAR PROTECTIVE GLASSES AND EARPLUGS WHEN SHOOTING.**

The chance that gas, gunpowder or metal fragments will blow back and injure a shooter who is firing a gun is rare, but the injury that can be sustained in such circumstances is severe, including the possible loss of eyesight. A shooter must always wear impact resistant shooting glasses when firing

any firearm. Earplugs help reduce the chance of hearing damage from shooting.



**9. NEVER CLIMB A TREE, FENCE OR OBSTRUCTION WITH A LOADED FIREARM.**

Open and empty the chamber of your firearm before climbing or descending a tree or before climbing a fence or jumping over a ditch or obstruction. Never pull or push a loaded firearm toward yourself or another person.



**10. AVOID ALCOHOLIC BEVERAGES OR JUDGMENT OR REFLEX IMPAIRING MEDICATION WHEN SHOOTING.**

Do not drink and shoot. If you take medication that can impair motor reactions or judgment, do not handle a firearm while you are under the influence of the medication.



**11. NEVER TRANSPORT A LOADED FIREARM.**

Unload a firearm before putting it in a vehicle. Hunters and target shooters should load their firearm only at their destination. If you carry a firearm for self-protection, leaving the chamber unloaded can reduce the chance of accidental discharge.



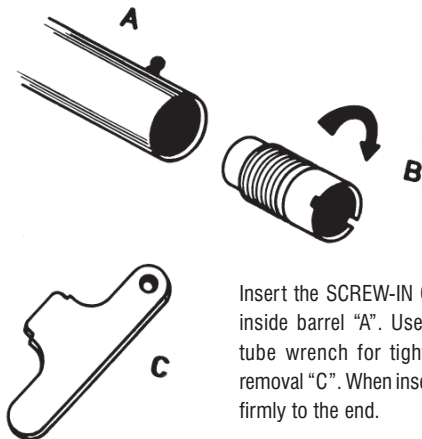
## **12. LEAD WARNING.**

Discharging firearms in poorly ventilated areas, cleaning firearms, or handling ammunition may result in exposure to lead and other substances known to cause birth defects, reproductive harm, and other serious physical injury. Have adequate ventilation at all times. Wash hands thoroughly after exposure.

For information about safety courses in your area please visit [www.nra.org](http://www.nra.org)

## SHOTGUNS

Instructions for installation, removal and maintenance of the screw-in choke.



Insert the SCREW-IN CHOKE "B" inside barrel "A". Use the choke tube wrench for tightening and removal "C". When inserting press firmly to the end.

Periodically (each time after 100 shots) remove the SCREW-IN CHOKE and clean internally and externally using lubricant oil and a piece of flannel cloth.

### Obs.

- Each time after 50 shots, verify if the SCREW-IN CHOKE is tightly set.
- Use the choke tube wrench "C".



## STOEGER INDUSTRIES, INC

901 Eighth Street  
Pocomoke City, MD 21851

### Stoeger Firearms Authorized Service Center

#### Instructions:

1. Pack each weapon in durable carton, padding each component with newspaper or similar material.
2. Label and address clearly.
3. Insure shipment for full value.
4. Include a note stating reason for return of merchandise.
5. **If the gun is under warranty, include letter with explanation and proof of purchase with the gun.**
6. If the warranty has lapsed, the Service Center will prepare and mail a written, itemized estimate for the cost of necessary repairs. If you do not approve the estimate and request that your gun be returned unrepaired you are responsible for the estimate preparation fee plus the cost of return shipping and insurance.
7. **FORWARD ALL STOEGER SHOTGUNS TO THE ADDRESS LISTED BELOW.**
8. Please call Stoeger Industries at (301) 283.6300 to request a Return authorization number for your gun.

901 Eighth Street  
Pocomoke City, MD 21851

**WARNING: Do NOT** send live ammunition or a loaded firearm.  
Insure merchandise for full value and ship prepaid only.

## **STOEGER SHOTGUN LIMITED WARRANTY**

STOEGER warrants this shotgun to be free of defects in workmanship and materials and STOEGER will, within one year from the date of sale to the original purchaser, repair or, at STOEGER option, replace the shotgun which shall prove to be so defective.

This Warranty shall be invalid if the shotgun is subjected to misuse or abuse, including but not limited to, the use of improper ammunition, or if any repairs are attempted by anyone other than authorized representative of STOEGER.

Within ten days of the time the defect becomes apparent the defective shotgun must be sent, with shipping costs prepaid, to Stoeger Industries, 901 Eighth St Pocomoke.

The duration of all implied warranties, including MERCHANTABILITY, shall also be for one year from the date of sale to the original purchaser. Some states do not allow limitations on how long an implied warranty lasts, so the above limitation may not apply to you.

This Warranty shall provide the purchaser's sole remedy for defects in material or workmanship and neither STOEGER nor this representatives shall be liable for any incidental or consequential damages, so the above limitation or exclusion may not apply to you.

The attached Registration Card should be completed and mailed within ten days of purchase; its return is not required in order for this Warranty to be effective.

This Warranty is given by STOEGER P.O. Box 59 Veranópolis R.G.S. Brazil 95330-000.

This Warranty gives you specific legal rights and you may also have other rights which vary from state to state.

STOEGER INDUSTRIES, INC.  
901 Eighth Street, Pocomoke City, MD 21851

## KEEP THIS CARD FOR YOUR RECORDS

Make \_\_\_\_\_

Model \_\_\_\_\_

Serial No. \_\_\_\_\_

Caliber \_\_\_\_\_

Finish \_\_\_\_\_

Barrel Length \_\_\_\_\_

Dealer \_\_\_\_\_

Date Purchased \_\_\_\_\_

THE FIREARM LISTED ABOVE IS ONE OF THE FINEST  
OBTAINABLE.

However, it is just one of the many distinguished guns  
imported and sold by Stoeger Industries. Ask your dealer to  
show them to you.

## STOEGER SHOTGUN WARRANTY REGISTRATION CARD

WE MUST HAVE THIS CARD COMPLETED AND RETURNED SO WE HAVE YOUR NAME AND ADDRESS ON FILE IN THE EVENT IT IS NECESSARY TO NOTIFY YOU REGARDING A PROBLEM WITH THE GUN YOU HAVE PURCHASED.

Date \_\_\_\_\_

Owner's Name \_\_\_\_\_

Phone No. \_\_\_\_\_

Address \_\_\_\_\_

City \_\_\_\_\_

State \_\_\_\_\_

Zip \_\_\_\_\_

Make \_\_\_\_\_

Model \_\_\_\_\_

Serial No. \_\_\_\_\_

Caliber (Gauge) \_\_\_\_\_

Date of Purchase \_\_\_\_\_

Purchase Price \_\_\_\_\_

Dealer's Name \_\_\_\_\_

Dealer's Phone No. \_\_\_\_\_

Address \_\_\_\_\_

City \_\_\_\_\_

State \_\_\_\_\_

Zip \_\_\_\_\_

(separate here)

1. What influenced you to buy the weapon?

- Newspaper Ad                       Magazine Ad  
 Friend's Recommendation  
 Dealer's Recommendation  
 Other (explain) \_\_\_\_\_

2. What features influenced you in selecting our product?

- Design                                       Price  
 Accuracy/Performance               Workmanship  
 Other (explain) \_\_\_\_\_

3. Intended use:     Plinking                       Target

- Hunting                                       Protection

Enclosed is my payment of \$14.95. Please send me the latest edition of the Shooters Bible post paid.

Check enclosed

Charge to my

Visa: # \_\_\_\_\_

Exp. Date \_\_\_\_\_

Mastercard: # \_\_\_\_\_

Exp. Date \_\_\_\_\_

Signed \_\_\_\_\_

(separate here)

PLACE  
STAMP  
HERE

From: \_\_\_\_\_  
\_\_\_\_\_  
\_\_\_\_\_

(separate here)

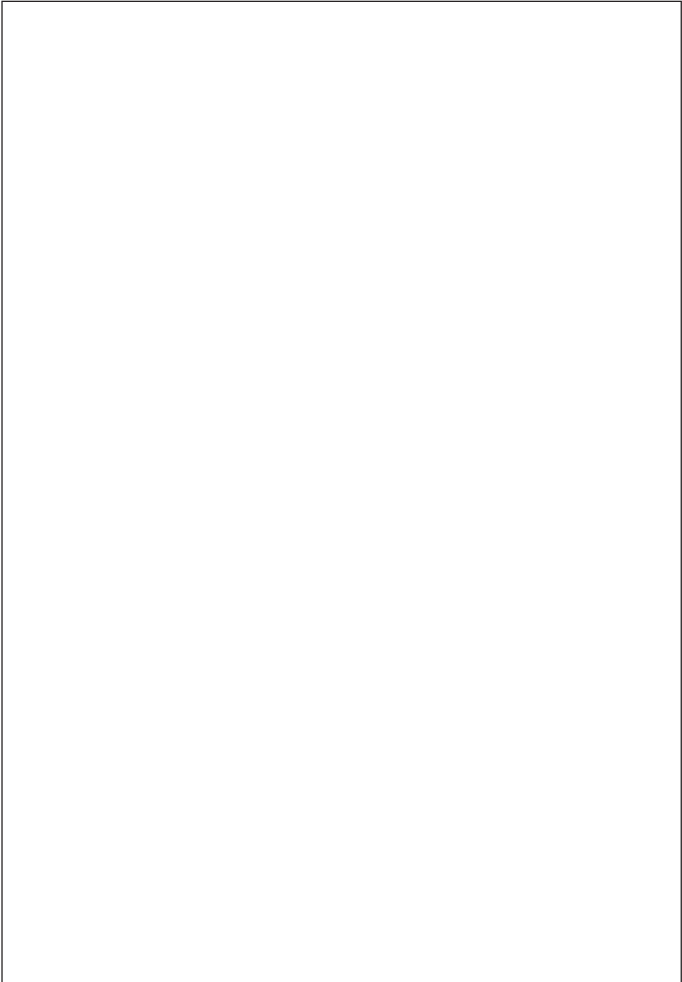


**STOEGER INDUSTRIES, INC.**

901 Eighth Street  
Pocomoke City, MD 21851  
(301) 283.6300

Attn: Service Dept.





**STOEGER INDUSTRIES, INC.**  
17603 Indian Head Highway, Suite 200  
Accokeek, MD 20607