

ZEV

TECHNOLOGIES 

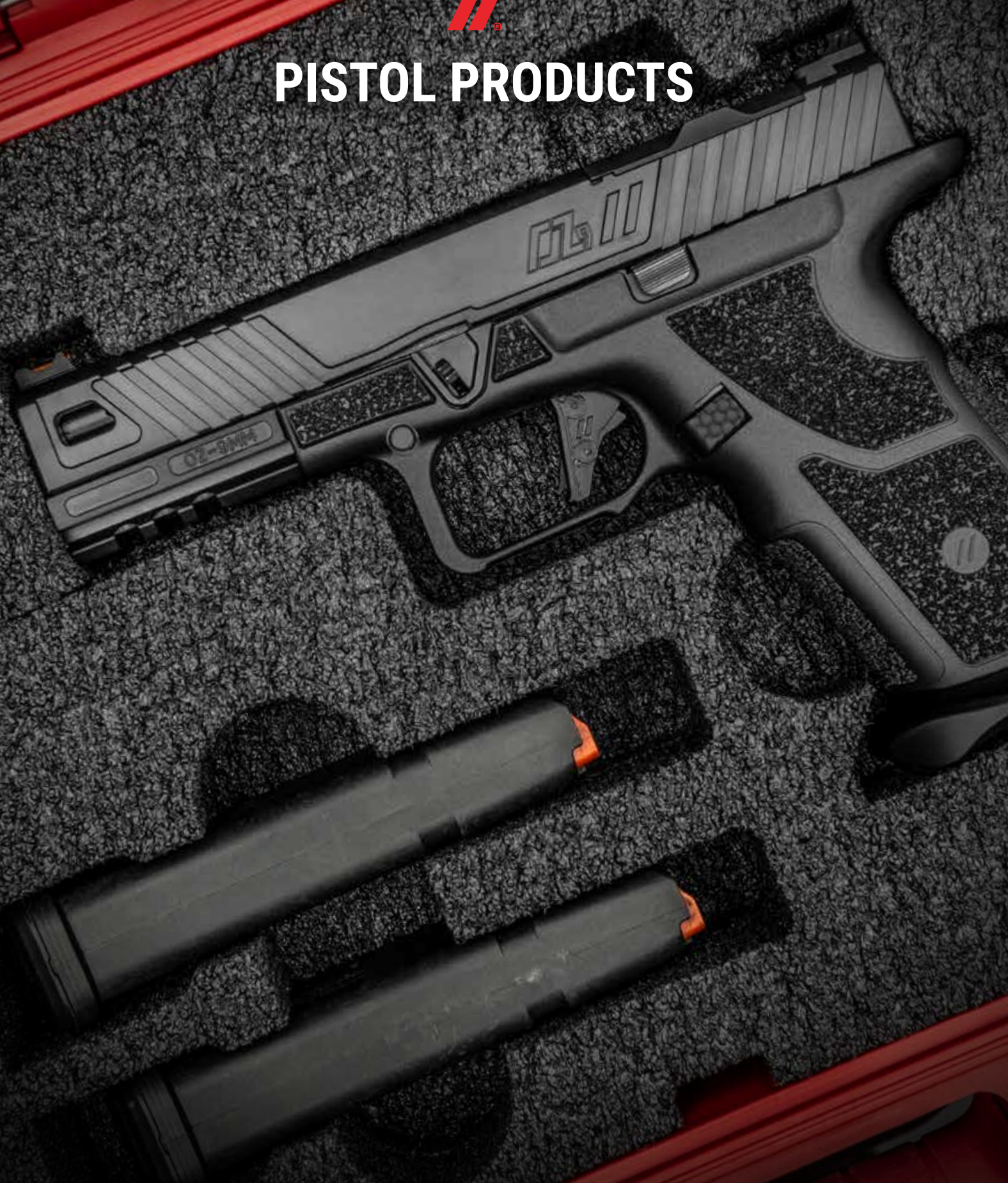
PRODUCTS

2020





PISTOL PRODUCTS



O.Z-9 FDE MODELS



O.Z-9 BLACK (DLC) MODELS



ZEV Technologies' first complete pistol, with everything built entirely from the ground up by ZEV.

The O.Z-9 was designed and created for balance. It's one of the first things you notice when holding this pistol. Balance equates to what every shooter is looking for; a more controllable pistol with less felt recoil, less muzzle flip and faster, more accurate follow-up shots.

At the heart of the O.Z-9 is our patented Steel Receiver. This solid steel frame runs the length of the entire pistol allowing the locking block to be fully integrated. The extended rails in the steel receiver help provide more than double the surface area of contact to the slide. Additional benefits include channels that clear out debris while also acting as lubricating reservoirs for high friction areas.

Having a singular component for the slide to travel along minimizes vibration and recoil energy by dispersing it along the receiver through the custom grip. A single take-down pin conveniently located at the front of the trigger guard locks the removable grip to the steel receiver.

By design, the trigger is housed in the steel receiver allowing for future grip upgrades without completely breaking down the pistol. Our improved grips have steeper angles, and forward hand position keeping the muzzle down, and pointing straighter.

Additional grip sizes and colors, along with multiple sized magwells, are available to facilitate further customization by end-users. The O.Z-9 is compatible with ZEV components and accepts GLOCK® mags.

The O.Z-9 Standard includes the following:

- ZEV Exclusive O.Z-9 Standard Signature Slide
- ZEV Optimized Match Grade Barrel
- ZEV PRO Flat Face Trigger
- ZEV O.Z-9 PRO Plus Magwell
- ZEV O.Z-9 Custom SKB Case
- Magpul PMAG® 17 GL9® Qty: 2

ZEV O.Z-9 Standard Specifications:

Caliber	Trigger Pull	Width	Height	Weight
9mm	4.5 lbs.	1.624"	5.522"	28 oz.
Overall Length:		Non-Threaded	Threaded	
		8.039"	8.3125"	



• BLACK DLC BARREL
• FIBER OPTIC FRONT SIGHT

• BLACK DLC THREADED BARREL
• FIBER OPTIC FRONT SIGHT



• BRONZE BARREL
• FIBER OPTIC FRONT SIGHT

• BRONZE THREADED BARREL
• FIBER OPTIC FRONT SIGHT



• PATENTED O.Z-9 STEEL RECEIVER (SERIALIZED FIREARM)
• SINGLE PIN GRIP REMOVAL MODULARITY



• BLACK DLC BARREL
• NIGHT SIGHTS

OPTIMIZED BARREL	SIGHTS	TRIGGER/SAFETY COLOR	SKU
DLC	FIBER OPTIC	BLACK/BLACK	OZ9-STD-B-B
THREADED - DLC	FIBER OPTIC	BLACK/BLACK	OZ9-STD-B-B-TH
BRONZE	FIBER OPTIC	BLACK/RED	OZ9-STD-B-BRZ
THREADED - BRONZE	FIBER OPTIC	BLACK/RED	OZ9-STD-B-BRZ-TH
DLC	NIGHT SIGHTS	BLACK/BLACK	OZ9-STD-B-B-NS

100%
MADE IN USA

ZEV Technologies' first complete pistol, with everything built entirely from the ground up by ZEV.

The O.Z-9 was designed and created for balance. It's one of the first things you notice when holding this pistol. Balance equates to what every shooter is looking for; a more controllable pistol with less felt recoil, less muzzle flip and faster, more accurate follow-up shots.

At the heart of the O.Z-9 is our patented Steel Receiver. This solid steel frame runs the length of the entire pistol allowing the locking block to be fully integrated. The extended rails in the steel receiver help provide more than double the surface area of contact to the slide. Additional benefits include channels that clear out debris while also acting as lubricating reservoirs for high friction areas.

Having a singular component for the slide to travel along minimizes vibration and recoil energy by dispersing it along the receiver through the custom grip. A single take-down pin conveniently located at the front of the trigger guard locks the removable grip to the steel receiver.

By design, the trigger is housed in the steel receiver allowing for future grip upgrades without completely breaking down the pistol. Our improved grips have steeper angles, and forward hand position keeping the muzzle down, and pointing straighter.

Additional grip sizes and colors, along with multiple sized magwells, are available to facilitate further customization by end-users. The O.Z-9 is compatible with ZEV components and accepts GLOCK® mags.

The O.Z-9 Standard FDE includes the following:

- ZEV Exclusive O.Z-9 Standard Signature Slide..... FDE
- ZEV Optimized Match Grade Threaded Barrel..... DLC
- ZEV PRO Flat Face Trigger BLACK/BLACK
- ZEV O.Z-9 Grip FDE
- ZEV O.Z-9 PRO Plus Magwell
- ZEV O.Z-9 Custom SKB Case
- Magpul PMAG® 17 GL9®Qty: 2

ZEV O.Z-9 Standard Specifications:

Caliber	Trigger Pull	Width	Height	Length (overall)	Weight
9mm	4.5 lbs.	1.624"	5.522"	8.3125"	28 oz.

OPTIMIZED BARREL	SIGHTS	TRIGGER/SAFETY COLOR	SKU
THREADED - DLC	FIBER OPTIC	BLACK/BLACK	OZ9-STD-FDE-B-TH



O.Z-9 STANDARD FDE SLIDE



O.Z-9 RECEIVER



O.Z-9 TAKE-DOWN PIN
• UNIVERSAL (O.Z-9 & O.Z-9C)

MAGPUL PMAG® 17 GL9®
• 17 ROUND MAGAZINE



O.Z-9 FDE GRIP
• ACCEPTS 17 ROUND MAGAZINE



O.Z-9 PRO PLUS MAGWELL
• UNIVERSAL (O.Z-9 & O.Z-9C)



The O.Z-9 Covert combines the standard length O.Z-9 receiver and slide with the Shorty grip and low profile PRO magwell to create a pistol that is easier to conceal than the O.Z-9 Standard yet just as accurate.

The O.Z-9 was designed and created for balance. It's one of the first things you notice when holding this pistol. Balance equates to what every shooter is looking for; a more controllable pistol with less felt recoil, less muzzle flip and faster, more accurate follow-up shots.

At the heart of the O.Z-9 is our patented Steel Receiver. This solid steel frame runs the length of the entire pistol allowing the locking block to be fully integrated. The extended rails in the steel receiver help provide more than double the surface area of contact to the slide. Additional benefits include channels that clear out debris while also acting as lubricating reservoirs for high friction areas.

Having a singular component for the slide to travel along minimizes vibration and recoil energy by dispersing it along the receiver through the custom grip. A single take-down pin conveniently located at the front of the trigger guard locks the removable grip to the steel receiver.

By design, the trigger is housed in the steel receiver allowing for future grip upgrades without completely breaking down the pistol. Our improved grips have steeper angles, and forward hand position keeping the muzzle down, and pointing straighter.

Additional grip sizes and colors, along with multiple sized magwells, are available to facilitate further customization by end-users. The O.Z-9 is compatible with ZEV components and accepts GLOCK® mags.

The O.Z-9 Covert includes the following:

- ZEV Exclusive O.Z-9 Standard Signature SlideDLC
- ZEV Optimized Match Grade BarrelBRONZE
- ZEV PRO Flat Face Trigger BLACK/RED
- ZEV O.Z-9 Shorty Grip BLACK
- ZEV O.Z-9 PRO Magwell
- ZEV O.Z-9 Custom SKB Case
- Magpul PMAG® 15 GL9® Qty: 2

ZEV O.Z-9 Covert Specifications:

Caliber	Trigger Pull	Width	Height	Length (overall)	Weight
9mm	4.5 lbs.	1.624"	5.022"	8.039"	28 oz.

OPTIMIZED BARREL	SIGHTS	TRIGGER/SAFETY COLOR	SKU
BRONZE	FIBER OPTIC	BLACK/RED	OZ9-STD-COVERT-B-BRZ



O.Z-9 STANDARD SLIDE



O.Z-9 RECEIVER



O.Z-9 TAKE-DOWN PIN
• UNIVERSAL (O.Z-9 & O.Z-9C)



MAGPUL PMAG® 15 GL9®
• 15 ROUND MAGAZINE

MAGPUL PMAG® 17 GL9®
• 17 ROUND MAGAZINE (NOT INCLUDED)



O.Z-9 SHORTY GRIP
• ACCEPTS 15 & 17 ROUND MAGAZINE

O.Z-9 PRO MAGWELL
• UNIVERSAL (O.Z-9 & O.Z-9C)



The O.Z-9 Covert combines the standard length O.Z-9 receiver and slide with the Shorty grip and low profile PRO magwell to create a pistol that is easier to conceal than the O.Z-9 Standard yet just as accurate.

The O.Z-9 was designed and created for balance. It's one of the first things you notice when holding this pistol. Balance equates to what every shooter is looking for; a more controllable pistol with less felt recoil, less muzzle flip and faster, more accurate follow-up shots.

At the heart of the O.Z-9 is our patented Steel Receiver. This solid steel frame runs the length of the entire pistol allowing the locking block to be fully integrated. The extended rails in the steel receiver help provide more than double the surface area of contact to the slide. Additional benefits include channels that clear out debris while also acting as lubricating reservoirs for high friction areas.

Having a singular component for the slide to travel along minimizes vibration and recoil energy by dispersing it along the receiver through the custom grip. A single take-down pin conveniently located at the front of the trigger guard locks the removable grip to the steel receiver.

By design, the trigger is housed in the steel receiver allowing for future grip upgrades without completely breaking down the pistol. Our improved grips have steeper angles, and forward hand position keeping the muzzle down, and pointing straighter.

Additional grip sizes and colors, along with multiple sized magwells, are available to facilitate further customization by end-users. The O.Z-9 is compatible with ZEV components and accepts GLOCK® mags.

The O.Z-9 Covert includes the following:

- ZEV Exclusive O.Z-9 Standard Signature Slide FDE
- ZEV Optimized Match Grade Barrel DLC
- ZEV PRO Flat Face Trigger BLACK/BLACK
- ZEV O.Z-9 Shorty Grip BLACK
- ZEV O.Z-9 PRO Magwell
- ZEV O.Z-9 Custom SKB Case
- Magpul PMAG® 15 GL9® Qty: 2

ZEV O.Z-9 Covert Specifications:

Caliber	Trigger Pull	Width	Height	Length (overall)	Weight
9mm	4.5 lbs.	1.624"	5.022"	8.039"	28 oz.

OPTIMIZED BARREL	SIGHTS	TRIGGER/SAFETY COLOR	SKU
DLC	FIBER OPTIC	BLACK/BLACK	OZ9-STD-COVERT-FDE-B



O.Z-9 STANDARD SLIDE



O.Z-9 RECEIVER



O.Z-9 TAKE-DOWN PIN
• UNIVERSAL (O.Z-9 & O.Z-9C)



MAGPUL PMAG® 15 GL9®
• 15 ROUND MAGAZINE

MAGPUL PMAG® 17 GL9®
• 17 ROUND MAGAZINE (NOT INCLUDED)

O.Z-9 SHORTY GRIP
• ACCEPTS 15 & 17 ROUND MAGAZINE

O.Z-9 PRO MAGWELL
• UNIVERSAL (O.Z-9 & O.Z-9C)



The ZEV O.Z-9 Combat features all the same functionality and modularity of the O.Z-9 in a configuration optimized for durability without compromising on performance. Built with ZEV's windowless Citadel slide, PRO match barrel, and PRO Curved Face Trigger, the O.Z-9 Combat is tailored to meet the stringent requirements of the discerning professional user.

The O.Z-9 was designed and created for balance. It's one of the first things you notice when holding this pistol. Balance equates to what every shooter is looking for; a more controllable pistol with less felt recoil, less muzzle flip and faster, more accurate follow-up shots.

At the heart of the O.Z-9 is our patented Steel Receiver. This solid steel frame runs the length of the entire pistol allowing the locking block to be fully integrated. The extended rails in the steel receiver help provide more than double the surface area of contact to the slide. Additional benefits include channels that clear out debris while also acting as lubricating reservoirs for high friction areas.

Having a singular component for the slide to travel along minimizes vibration and recoil energy by dispersing it along the receiver through the custom grip. A single take-down pin conveniently located at the front of the trigger guard locks the removable grip to the steel receiver.

By design, the trigger is housed in the steel receiver allowing for future grip upgrades without completely breaking down the pistol. Our improved grips have steeper angles, and forward hand position keeping the muzzle down, and pointing straighter.

Additional grip sizes and colors, along with multiple sized magwells are available for you to fully customize your O.Z-9 to best fit your requirements.

Additional grip sizes and colors, along with multiple sized magwells, are available to facilitate further customization by end-users. The O.Z-9 is compatible with ZEV components and accepts GLOCK® mags.

The O.Z-9 Combat includes the following:

- ZEV Citadel Slide.....DLC
- ZEV PRO Barrel BLACK DLC
- ZEV PRO Curved Face Trigger BLACK/BLACK
- Magpul PMAG® 17 GL9® Qty: 2

ZEV O.Z-9 Combat Specifications:

Caliber	Trigger Pull	Width	Height	Length (overall)	Weight
9mm	4.5 lbs.	1.624"	5.522"	8.039"	28 oz.



- PATENTED O.Z-9 STEEL RECEIVER (SERIALIZED FIREARM)
- SINGLE PIN GRIP REMOVAL MODULARITY



- BLACK DLC BARREL
- FIBER OPTIC FRONT SIGHT



- BLACK DLC BARREL
- NIGHT SIGHTS

PRO BARREL	SIGHTS	TRIGGER/SAFETY COLOR	SKU
DLC	FIBER OPTIC	BLACK/BLACK	OZ9-STD-COMBAT-B-B
DLC	NIGHT SIGHTS	BLACK/BLACK	OZ9-STD-COMBAT-B-B-NS



The O.Z-9 Competition model is approved for both USPSA Carry Optics and Production divisions (with the magwell removed). Designed in collaboration with five-time World Speed Shooting Champion and ZEV Technologies Shooting Team Captain, KC Eusebio, the Competition Model O.Z-9 features an exclusive KC Signature G34 length slide, coated Black DLC and cut for a Trijicon RMR optic.

The O.Z-9 was designed and created for balance. It's one of the first things you notice when holding this pistol. Balance equates to what every shooter is looking for; a more controllable pistol with less felt recoil, less muzzle flip and faster, more accurate follow-up shots.

At the heart of the O.Z-9 is our patented Steel Receiver. This solid steel frame runs the length of the entire pistol allowing the locking block to be fully integrated. The extended rails in the steel receiver help provide more than double the surface area of contact to the slide. Additional benefits include channels that clear out debris while also acting as lubricating reservoirs for high friction areas.

Having a singular component for the slide to travel along minimizes vibration and recoil energy by dispersing it along the receiver through the custom grip. A single take-down pin conveniently located at the front of the trigger guard locks the removable grip to the steel receiver.

By design, the trigger is housed in the steel receiver allowing for future grip upgrades without completely breaking down the pistol. Our improved grips have steeper angles, and forward hand position keeping the muzzle down, and pointing straighter.

Additional grip sizes and colors, along with multiple sized magwells, are available to facilitate further customization by end-users. The O.Z-9 is compatible with ZEV components and accepts GLOCK® mags.

The O.Z-9 includes the following:

- ZEV O.Z-9 KC Eusebio Signature G34 Slide.....DLC
- Slide Optic CutRMR
- ZEV O.Z-9 GripBLACK
- ZEV Optimized Match Grade BarrelBRONZE
- ZEV PRO Flat Face TriggerBLACK/RED
- ZEV O.Z-9 PRO Plus Magwell
- ZEV O.Z-9 Custom SKB Case
- Magpul PMAG® 17 GL9® Qty: 2

ZEV O.Z-9 Covert Specifications:

Caliber	Trigger Pull	Width	Height	Length (overall)	Weight
9mm	4.5 lbs.	1.624"	5.522"	8.75"	29.44 oz.

MODEL	GRIP	BARREL	SKU
KC COMPETITION	BLACK	MATCH - BRZ	OZ9-COMP-B-BRZ



O.Z-9 COMPETITION SLIDE



O.Z-9 RECEIVER



O.Z-9 TAKE-DOWN PIN
• UNIVERSAL (O.Z-9 & O.Z-9C)

MAGPUL PMAG® 17 GL9®
• 17 ROUND MAGAZINE



O.Z-9 GRIP
• ACCEPTS 17 ROUND MAGAZINE



O.Z-9 PRO PLUS MAGWELL
• UNIVERSAL (O.Z-9 & O.Z-9C)



Modify your O.Z-9 with standard size grip kits available in Flat Dark Earth (FDE) and Gray. Easily customize the look of your O.Z-9 with a different colored grip. Simply remove the take-down pin, install the new grip and reinstall the take-down pin.

ZEV O.Z-9 Grip Kit features:

- No need to remove the trigger
- Ready to install out of the box
- ZEV Gen4 Magazine Release installed
- Take-down pin included

MODEL	COLOR	SKU
STANDARD	BLACK	GRIP.KIT-OZ9-STD-B
STANDARD	FLAT DARK EARTH (FDE)	GRIP.KIT-OZ9-STD-FDE
STANDARD	GRAY	GRIP.KIT-OZ9-STD-GRY



OZ9 PRO Plus Magwell (shown) sold separately



The O.Z-9 Shorty grip was designed for those looking to run a compact sized grip on the O.Z-9 Standard. Switch between competition and concealed carry with the same firearm. Simply remove the take-down pin, swap grips, and re-install the take-down pin. No need to remove the trigger, as it remains installed in the O.Z-9 receiver. Trigger pins are housed by the grip internally, not through the grip like other platforms.

ZEV O.Z-9 Shorty Grip Kit features:

- Ready to install out of the box
- ZEV Gen4 Magazine Release installed
- Take-down pin included

MODEL	COLOR	SKU
STANDARD	BLACK	GRIP.KIT-OZ9-SHORTY-B
STANDARD	FLAT DARK EARTH (FDE)	GRIP.KIT-OZ9-SHORTY-FDE
STANDARD	GRAY	GRIP.KIT-OZ9-SHORTY-GRY

NOTE: O.Z-9 Shorty grips are not compatible nor interchangeable with the Compact O.Z-9.

- O.Z-9 Shorty Grip is compatible with both G19 and G17 size magazines
- O.Z-9 Standard Grip is compatible with G17 size magazines.



Achieve maximum versatility with O.Z-9 modularity

- One gun, two grip sizes, three available colors



O.Z-9 STANDARD RECEIVER

O.Z-9 SHORTY GRIP



O.Z-9 STANDARD GRIP



O.Z-9 STANDARD SLIDE



O.Z-9 STANDARD SLIDE



The O.Z-9 Modular Build Kit (MBK) offers complete customization to build your O.Z-9 from the ground up. Start your custom build by choosing between a Black DLC or Titanium Gray colored O.Z-9 steel receiver. Using compatible ZEV components, you get to pick and choose your ZEV slide, ZEV barrel, ZEV trigger, ZEV O.Z-9 grip, and ZEV O.Z-9 magwell to build the O.Z-9 that best fits your needs, whether its duty, concealed carry, competition or a week-end range gun.

Machined from a single block of 4140 alloy steel, the patented O.Z-9 internal steel receiver reduces the flex associated with polymer frames, has an integrated locking block and longer slide rails which provide more contact with the slide. This amounts to less felt recoil, less muzzle flip, faster follow up shots and improved accuracy.

In addition to an O.Z-9 Steel Receiver in either color, each O.Z-9 MBK includes the following necessary components to complete your build:

- ZEV O.Z-9 Slide Lock Lever and Spring
- ZEV O.Z-9 Trigger Pin
- ZEV O.Z-9 Ejector Housing Pin
- ZEV Enhanced Extractor
- Extended Slide Release Lever

MODEL	BLACK DLC	TITANIUM GRAY
O.Z-9 STANDARD	O.Z-9-MBK-DLC	O.Z-9-MBK-GRY



The Essential Parts Kit for the O.Z-9 MBK includes all of the internal components necessary to assemble a complete O.Z-9 pistol with the purchase of an O.Z-9 MBK, ZEV stripped slide, ZEV trigger bar, ZEV barrel, ZEV guide rod and recoil spring, ZEV sights, ZEV O.Z-9 grip, and ZEV O.Z-9 magwell.

Additionally the O.Z-9 MBK Essential Parts Kit includes a Glock tool kit with a punch and front sight tool to facilitate assembly and maintenance of your pistol.

The O.Z-9 MBK parts kit includes the following components:

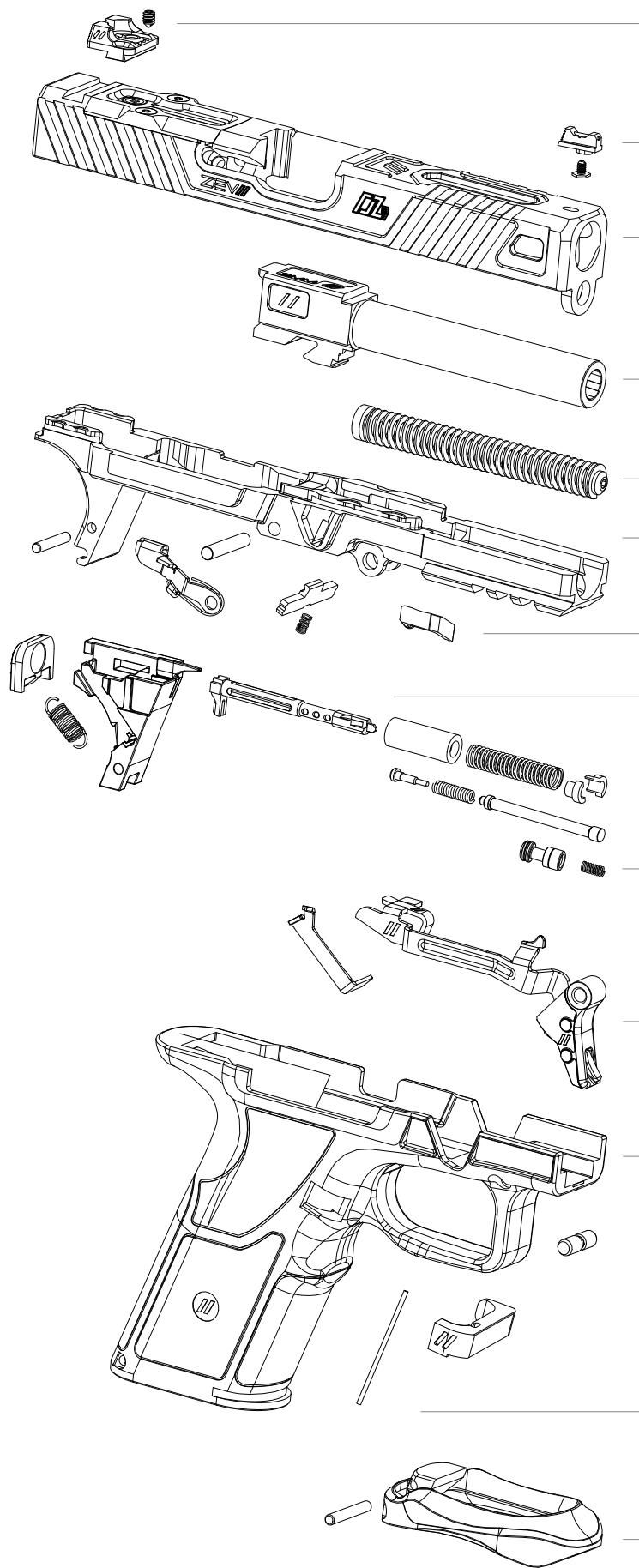
- ZEV Slide Backplate
- ZEV Skeletonized Striker
- ZEV PRO Striker Spring
- ZEV Firing Pin Safety
- ZEV Firing Pin Safety Spring
- ZEV Trigger Spring
- Glock Gen3 9mm Ejector Housing
- Glock Striker Sleeve
- Glock Spring Cups
- Glock Extractor Rod, Bearing, and Spring
- Fix it Stick Glock Tool Kit



MODEL	SKU
O.Z-9 STANDARD	PK-0Z9-MBK

Additional ZEV parts needed to build a custom O.Z-9:
(not included with the MBK Parts Kit, sold separately)





ZEV SIGHTS

- SIGHT.SET-215-FO-COM3-B
- SIGHT.SET-300-CW-B-CW-B

ZEV SLIDE

- SLD-Z17-3G-OMEN-RMR-DLC
- SLD-Z17-3G-OMEN-RMR-GRY
- SLD-Z17-3G-ORION-RMR-DLC
- SLD-Z17-3G-ORION-RMR-GRY
- SLD-Z34-3G-OMEN-RMR-DLC
- SLD-Z34-3G-OMEN-RMR-GRY
- SLD-Z34-3G-ORION-RMR-DLC
- SLD-Z34-3G-ORION-RMR-GRY

ZEV BARREL

- BBL-17-D
- BBL-17-D.S
- BBL-17-D.S-BRZ
- BBL-17-D.S-DLC
- BBL-17-D-BRZ
- BBL-17-D-DLC
- BBL-34-D
- BBL-34-D-BRZ
- BBL-34-D-DLC

ZEV GUIDE ROD

- G.ROD-STD-SS

ZEV RECOIL SPRING

- ISMI-SPR-REC-13L
- ISMI-SPR-REC-15L
- ISMI-SPR-REC-17L

ZEV O.Z-9 STANDARD MODULAR BUILD KIT (MBK)

- OZ9-MBK-DLC
- OZ9-MBK-GRY

ZEV O.Z-9 STANDARD MBK PARTS KIT

- PK-OZ9-MBK

ZEV TRIGGER BAR

- FFT-PRO-BAR-SM-B-B
- FFT-PRO-BAR-SM-B-R
- CFT-PRO-BAR-SM-B-B
- CFT-PRO-BAR-SM-B-R

ZEV O.Z-9 STANDARD GRIP KIT

- GRIP.KIT-OZ9-STD-B
- GRIP.KIT-OZ9-STD-FDE
- GRIP.KIT-OZ9-STD-GRY

ZEV O.Z-9 MAGWELL

- MW.K-OZ9-PRO-PLUS-B

ZEV Technologies' first complete pistol, built entirely from the ground up, is now available in a compact model. All the same great features as the standard sized O.Z-9, the compact blurs the line between personal defense, concealed carry and a duty pistol. The slimmed-down PRO magwell enhances grip comfort while minimizing printing while carrying concealed.

The O.Z-9C was designed and created for balance. It's one of the first things you notice when holding this pistol. Balance equates to what every shooter is looking for; a more controllable pistol with less felt recoil, less muzzle flip and faster, more accurate follow-up shots.

At the heart of the O.Z-9C is our patented Steel Receiver. This solid steel frame runs the length of the entire pistol allowing the locking block to be fully integrated. The extended rails in the steel receiver help provide more than double the surface area of contact to the slide. Additional benefits include channels that clear out debris while also acting as lubricating reservoirs for high friction areas.

Having a singular component for the slide to travel along minimizes vibration and recoil energy by dispersing it along the receiver through the custom grip. A single take-down pin conveniently located at the front of the trigger guard locks the removable grip to the steel receiver.

By design, the trigger is housed in the steel receiver allowing for future grip upgrades without completely breaking down the pistol. Our improved grips have steeper angles, and forward hand position keeping the muzzle down, and pointing straighter.

Additional grip sizes and colors, different length conversion slides, and multiple sized magwells are available to facilitate further customization by end-users. The O.Z-9C is compatible with ZEV components and accepts GLOCK® mags.

The O.Z-9C Compact includes the following:

- ZEV Exclusive O.Z-9C Compact Signature Slide
- ZEV Optimized Match Grade Barrel
- ZEV PRO Flat Face Trigger
- ZEV O.Z-9 PRO Magwell
- ZEV O.Z-9 Custom SKB Case
- Magpul PMAG® 19 GL9® Qty: 2

ZEV O.Z-9C Compact Specifications:

Caliber	Trigger Pull	Width	Height	Weight
9mm	4.5 lbs.	1.624"	5.022"	26.25 oz.
Overall Length:		Non-Threaded	Threaded	
		7.3"	7.6125"	

NOTE: O.Z-9C specific parts (slide, barrel, grip) are **NOT COMPATIBLE** nor interchangeable with the O.Z-9.



• BLACK DLC BARREL
• FIBER OPTIC FRONT SIGHT

• BLACK DLC THREADED BARREL
• FIBER OPTIC FRONT SIGHT



• BRONZE BARREL
• FIBER OPTIC FRONT SIGHT

• BRONZE THREADED BARREL
• FIBER OPTIC FRONT SIGHT



• PATENTED O.Z-9 STEEL RECEIVER (SERIALIZED FIREARM)
• SINGLE PIN GRIP REMOVAL MODULARITY



• BLACK DLC BARREL
• NIGHT SIGHTS

OPTIMIZED BARREL	SIGHTS	TRIGGER/SAFETY COLOR	SKU
DLC	FIBER OPTIC	BLACK/BLACK	OZ9C-CPT-B-B
THREADED - DLC	FIBER OPTIC	BLACK/BLACK	OZ9C-CPT-B-B-TH
BRONZE	FIBER OPTIC	BLACK/RED	OZ9C-CPT-B-BRZ
THREADED - BRONZE	FIBER OPTIC	BLACK/RED	OZ9C-CPT-B-BRZ-TH
DLC	NIGHT SIGHTS	BLACK/BLACK	OZ9C-CPT-B-B-NS

100%
MADE IN USA

ZEV Technologies' first complete pistol, built entirely from the ground up, is now available in a compact model. All the same great features as the standard sized O.Z-9, the compact blurs the line between personal defense, concealed carry and a duty pistol. The slimmed-down PRO magwell enhances grip comfort while minimizing printing while carrying concealed.

The O.Z-9C was designed and created for balance. It's one of the first things you notice when holding this pistol. Balance equates to what every shooter is looking for; a more controllable pistol with less felt recoil, less muzzle flip and faster, more accurate follow-up shots.

At the heart of the O.Z-9C is our patented Steel Receiver. This solid steel frame runs the length of the entire pistol allowing the locking block to be fully integrated. The extended rails in the steel receiver help provide more than double the surface area of contact to the slide. Additional benefits include channels that clear out debris while also acting as lubricating reservoirs for high friction areas.

Having a singular component for the slide to travel along minimizes vibration and recoil energy by dispersing it along the receiver through the custom grip. A single take-down pin conveniently located at the front of the trigger guard locks the removable grip to the steel receiver.

By design, the trigger is housed in the steel receiver allowing for future grip upgrades without completely breaking down the pistol. Our improved grips have steeper angles, and forward hand position keeping the muzzle down, and pointing straighter.

Additional grip sizes and colors, different length conversion slides, and multiple sized magwells are available to facilitate further customization by end-users. The O.Z-9C is compatible with ZEV components and accepts GLOCK® mags.



The O.Z-9C Compact FDE includes the following:

- ZEV Exclusive O.Z-9C Compact Signature Slide..... FDE
- ZEV Optimized Match Grade Threaded Barrel..... DLC
- ZEV PRO Flat Face Trigger BLACK/BLACK
- ZEV O.Z-9 Grip FDE
- ZEV O.Z-9 PRO Magwell
- ZEV O.Z-9 Custom SKB Case
- Magpul PMAG® 15 GL9®Qty: 2

ZEV O.Z-9C Compact Specifications:

Caliber	Trigger Pull	Width	Height	Length (overall)	Weight
9mm	4.5 lbs.	1.624"	5.022"	7.6125"	26.25 oz.
OPTIMIZED BARREL	SIGHTS	TRIGGER/SAFETY COLOR		SKU	
THREADED - DLC	FIBER OPTIC	BLACK/BLACK		OZ9C-CPT-FDE-B-TH	



O.Z-9C COMPACT SLIDE



O.Z-9C RECEIVER

O.Z-9 TAKE-DOWN PIN
• UNIVERSAL (O.Z-9 & O.Z-9C)



MAGPUL PMAG® 15 GL9®
• 15 ROUND MAGAZINE



O.Z-9C GRIP
• ACCEPTS 15 & 17 ROUND MAGAZINE

O.Z-9 PRO MAGWELL
• UNIVERSAL (O.Z-9 & O.Z-9C)

MAGPUL PMAG® 17 GL9®
• 17 ROUND MAGAZINE (NOT INCLUDED)



The O.Z-9C X combines the compact O.Z-9C receiver and slide with a full size X grip and low profile PRO magwell to create a pistol that is easier to control and handle than the O.Z-9C Compact without added weight or length.

The O.Z-9C was designed and created for balance. It's one of the first things you notice when holding this pistol. Balance equates to what every shooter is looking for; a more controllable pistol with less felt recoil, less muzzle flip and faster, more accurate follow-up shots.

At the heart of the O.Z-9C is our patented Steel Receiver. This solid steel frame runs the length of the entire pistol allowing the locking block to be fully integrated. The extended rails in the steel receiver help provide more than double the surface area of contact to the slide. Additional benefits include channels that clear out debris while also acting as lubricating reservoirs for high friction areas.

Having a singular component for the slide to travel along minimizes vibration and recoil energy by dispersing it along the receiver through the custom grip. A single take-down pin conveniently located at the front of the trigger guard locks the removable grip to the steel receiver.

By design, the trigger is housed in the steel receiver allowing for future grip upgrades without completely breaking down the pistol. Our improved grips have steeper angles, and forward hand position keeping the muzzle down, and pointing straighter.

Additional grip sizes and colors, different length conversion slides, and multiple sized magwells are available to facilitate further customization by end-users. The O.Z-9C is compatible with ZEV components and accepts GLOCK® mags.



The O.Z-9C X includes the following:

- ZEV Exclusive O.Z-9C Compact Signature Slide..... DLC
- ZEV Optimized Match Grade Barrel..... BRONZE
- ZEV PRO Flat Face Trigger BLACK/RED
- ZEV O.Z-9C X Grip..... BLACK
- ZEV O.Z-9 PRO Magwell
- ZEV O.Z-9 Custom SKB Case
- Magpul PMAG® 17 GL9®Qty: 2

ZEV O.Z-9C X Specifications:

Caliber	Trigger Pull	Width	Height	Length (overall)	Weight
9mm	4.5 lbs.	1.624"	5.522"	7.3"	26.25 oz.

OPTIMIZED BARREL	SIGHTS	TRIGGER/SAFETY COLOR	SKU
BRONZE	FIBER OPTIC	BLACK/RED	OZ9C-X-CPT-B-BRZ

NOTE: O.Z-9C specific parts (slide, barrel, grip) are **NOT COMPATIBLE** nor interchangeable with the O.Z-9.



O.Z-9C COMPACT SLIDE

O.Z-9C RECEIVER

O.Z-9 TAKE-DOWN PIN
• UNIVERSAL (O.Z-9 & O.Z-9C)

MAGPUL PMAG® 17 GL9®
• 17 ROUND MAGAZINE

O.Z-9C X GRIP
• ACCEPTS 17 ROUND MAGAZINE

O.Z-9 PRO MAGWELL
• UNIVERSAL (O.Z-9 & O.Z-9C)



The O.Z-9C X combines the compact O.Z-9C receiver and slide with a full size X grip and low profile PRO magwell to create a pistol that is easier to control and handle than the O.Z-9C Compact without added weight or length.

The O.Z-9C was designed and created for balance. It's one of the first things you notice when holding this pistol. Balance equates to what every shooter is looking for; a more controllable pistol with less felt recoil, less muzzle flip and faster, more accurate follow-up shots.

At the heart of the O.Z-9C is our patented Steel Receiver. This solid steel frame runs the length of the entire pistol allowing the locking block to be fully integrated. The extended rails in the steel receiver help provide more than double the surface area of contact to the slide. Additional benefits include channels that clear out debris while also acting as lubricating reservoirs for high friction areas.

Having a singular component for the slide to travel along minimizes vibration and recoil energy by dispersing it along the receiver through the custom grip. A single take-down pin conveniently located at the front of the trigger guard locks the removable grip to the steel receiver.

By design, the trigger is housed in the steel receiver allowing for future grip upgrades without completely breaking down the pistol. Our improved grips have steeper angles, and forward hand position keeping the muzzle down, and pointing straighter.

Additional grip sizes and colors, different length conversion slides, and multiple sized magwells are available to facilitate further customization by end-users. The O.Z-9C is compatible with ZEV components and accepts GLOCK® mags.

The O.Z-9C X includes the following:

- ZEV Exclusive O.Z-9C Compact Signature Slide..... FDE
- ZEV Optimized Match Grade Barrel..... DLC
- ZEV PRO Flat Face Trigger BLACK/BLACK
- ZEV O.Z-9C X Grip..... FDE
- ZEV O.Z-9 PRO Magwell
- ZEV O.Z-9 Custom SKB Case
- Magpul PMAG® 17 GL9®Qty: 2

ZEV O.Z-9C X Specifications:

Caliber	Trigger Pull	Width	Height	Length (overall)	Weight
9mm	4.5 lbs.	1.624"	5.522"	7.3"	26.25 oz.

OPTIMIZED BARREL	SIGHTS	TRIGGER/SAFETY COLOR	SKU
DLC	FIBER OPTIC	BLACK/BLACK	OZ9C-X-CPT-FDE-B

NOTE: O.Z-9C specific parts (slide, barrel, grip) are **NOT COMPATIBLE** nor interchangeable with the O.Z-9.



O.Z-9C COMPACT SLIDE



O.Z-9C RECEIVER

O.Z-9 TAKE-DOWN PIN
• UNIVERSAL (O.Z-9 & O.Z-9C)



MAGPUL PMAG® 17 GL9®
• 17 ROUND MAGAZINE



O.Z-9C X GRIP
• ACCEPTS 17 ROUND MAGAZINE

O.Z-9 PRO MAGWELL
• UNIVERSAL (O.Z-9 & O.Z-9C)



The O.Z-9C Hyper-comp brings the benefits of a compensator to the popular compact platform without adding any extra length or mass. The Hyper-comp features four tapered vertical ports integrated into the top of the barrel that vents gases upward to reduce muzzle rise, creating one of the flattest shooting compacts available.

The slide has a top channel cut-out that extends to the front of the barrel opening, allowing the front sight to be pinned directly to the barrel, making it easier to track the sight during recoil as it does not reciprocate with the slide. This unique ported barrel design allows for easy barrel disassembly for cleaning and maintenance that compensated guns typically need, without having to remove a compensator.

The O.Z-9C was designed and created for balance. It's one of the first things you notice when holding this pistol. Balance equates to what every shooter is looking for; a more controllable pistol with less felt recoil, less muzzle flip and faster, more accurate follow-up shots.

At the heart of the O.Z-9C is our patented Steel Receiver. This solid steel frame runs the length of the entire pistol allowing the locking block to be fully integrated. The extended rails in the steel receiver help provide more than double the surface area of contact to the slide. Additional benefits include channels that clear out debris while also acting as lubricating reservoirs for high friction areas.

Having a singular component for the slide to travel along minimizes vibration and recoil energy by dispersing it along the receiver through the custom grip. A single take-down pin conveniently located at the front of the trigger guard locks the removable grip to the steel receiver.

By design, the trigger is housed in the steel receiver allowing for future grip upgrades without completely breaking down the pistol. Our improved grips have steeper angles, and forward hand position keeping the muzzle down, and pointing straighter.

Additional grip sizes and colors, and multiple sized magwells are available to facilitate further customization by end-users. The O.Z-9C is compatible with ZEV components and accepts GLOCK® mags.

The O.Z-9C Compact FDE includes the following:

- ZEV Exclusive O.Z-9C Compact Hyper-comp Slide DLC
- ZEV Optimized Match Grade Ported Barrel BRONZE
- ZEV PRO Flat Face Trigger BLACK/RED
- ZEV O.Z-9C Grip BLACK
- ZEV O.Z-9 PRO Magwell
- ZEV O.Z-9 Custom SKB Case
- Magpul PMAG® 15 GL9® Qty: 2

ZEV O.Z-9C Compact Specifications:

Caliber	Trigger Pull	Width	Height	Length (overall)	Weight
9mm	4.5 lbs.	1.624"	5.022"	7.6125"	28 oz.

OPTIMIZED BARREL	SIGHTS	TRIGGER/SAFETY COLOR	SKU
PORTED - BRZ	BLACK	BLACK/RED	OZ9C-CPT-HYP-B-BRZ



- PORTED BARREL
- BARREL PINNED FRONT SIGHT



Hyper-Comp name used by permission of High Performance Firearms LLC.

Modify your O.Z-9 Compact with additional grip kits available in Flat Dark Earth (FDE) and Gray. Easily customize the look of your O.Z-9 Compact with a different colored grip. Simply remove the take-down pin, install the new grip and reinstall the take-down pin.

ZEV O.Z-9 Grip Kit features:

- No need to remove the trigger
- Ready to install out of the box
- ZEV Gen4 Magazine Release installed
- Take-down pin included

MODEL	COLOR	SKU
COMPACT	BLACK	GRIP.KIT-OZ9C-CPT-B
COMPACT	FLAT DARK EARTH (FDE)	GRIP.KIT-OZ9C-CPT-FDE
COMPACT	GRAY	GRIP.KIT-OZ9C-CPT-GRY

NOTE: Compact O.Z-9 grips are not compatible nor interchangeable with the Standard O.Z-9.



OZ9 PRO Magwell (shown) sold separately



The O.Z-9C X Grip was designed for those looking to run a full sized grip on the Compact O.Z-9. Switch between competition and concealed carry with the same firearm. Simply remove the take-down pin, swap grips, and re-install the take-down pin. No need to remove the trigger, as it remains installed in the O.Z-9 receiver. Trigger pins are housed by the grip internally, not through the grip like other platforms.

ZEV O.Z-9 Shorty Grip Kit features:

- Ready to install out of the box
- ZEV Gen4 Magazine Release installed
- Take-down pin included

MODEL	COLOR	SKU
COMPACT	BLACK	GRIP.KIT-OZ9C-X-B
COMPACT	FLAT DARK EARTH (FDE)	GRIP.KIT-OZ9C-X-FDE
COMPACT	GRAY	GRIP.KIT-OZ9C-X-GRY

NOTE: O.Z-9C X Grips are **NOT COMPATIBLE** nor interchangeable with the Standard O.Z-9 or MBK.

- O.Z-9C X Grip is compatible with G17 size magazines only
- O.Z-9C X Grip is compatible with all O.Z-9 magwells.



Achieve maximum versatility with O.Z-9C modularity

- One gun, two grip sizes, three available colors



O.Z-9C COMPACT RECEIVER

O.Z-9C COMPACT GRIP



O.Z-9C X GRIP



O.Z-9C COMPACT SLIDE



O.Z-9C COMPACT SLIDE



The ZEV Technologies O.Z-9 PRO Magwell was designed for the professional shooter that is looking to enhance the look and performance of their O.Z-9 while maintaining a lower profile than the PRO-Plus magwell. The one piece design facilitates easy installation and utilizes a single pin to securely mount to the O.Z-9 grip. Designed to fit all models of the O.Z-9 grip.

The ZEV PRO Magwell was designed and tested for compatibility with standard capacity factory magazines.

- One piece 6061 aluminum design
- Type III anodized finish
- Includes magwell pin

MODEL	SKU
O.Z-9	MW.K-OZ9-PRO-B



The ZEV Technologies O.Z-9 PRO Plus Magwell was designed for the professional shooter that is looking to enhance the look and performance of their O.Z-9. The one piece design facilitates easy installation and utilizes a single pin to securely mount to the O.Z-9 grip. Designed to fit all models of the O.Z-9 grip.

The ZEV O.Z-9 PRO Magwell was designed and tested for compatibility with standard capacity factory magazines as well as magazines fitted with ZEV basepad magazine extensions. It also incorporates a pass-through hole at the back for lanyard retention.

- One piece 6061 aluminum design
- Type III anodized finish
- Includes magwell pin

MODEL	SKU
O.Z-9	MW.K-OZ9-PRO-PLUS-B



100%
MADE IN USA

ZEV Technologies introduces a new level of modularity to the O.Z-9 Compact model with Conversion Slides. Just as the name implies, you can now quickly and easily convert your Compact O.Z-9 for different uses. Offered in two sizes, 19L and 19XL, the longer O.Z-9C Conversion Slides bring increased accuracy and control to the compact platform.

Right out of the box, the O.Z-9C is configured for concealed carry. Install a 19L slide along with the O.Z-9C X Grip, and now it's ready for a range day, training class, or home defense. Install the 19XL with the O.Z-9C X Grip, and it's ready for competition use.

Achieve a total of six unique grip and slide combinations with the O.Z-9C utilizing the two new Conversion Slides and new O.Z-9C X Grip. Add the O.Z-9 PRO Plus Magwell to the mix, and that number increases to twelve possible combinations. This increased modularity of the O.Z-9C platform provides the ability to configure one firearm to match any need without having to purchase additional serialized components.

ZEV Conversion Slides are only compatible with OZ9C and Gen3 G19 frames. Due to the difference in locking lugs between compact and full size frames, ZEV Conversion Slides require the use of ZEV Gen5 G17 or G34 Optimized Match Barrels. ZEV recommends the use of our 20lb. compact recoil spring and guide rod with both the 19L and 19XL, however the use of original G19/O.Z-9C guide rod and springs are acceptable.

ZEV Stripped Conversion Slides features:

- Machined from 17-4 Stainless steel billet
- Lowered ejection port to aid in ejection of brass
- Match grade, precision milled tolerances that are tighter than factory
- Improved accuracy and grouping performance upon installation
- RMR adapter plate included

ZEV O.Z9C Conversion Slide Specifications:

Model	Width	Height	Length	Weight
O.Z-9C 19L	1.0"	.84"	7.25"	10.1 oz.
O.Z-9C 19XL	1.0"	.84"	8"	10.8 oz.

MODEL	GEN	SKU
O.Z-9C 19L	1-3	SLD-Z19L-3G-0Z9-RMR-DLC
O.Z-9C 19XL	1-3	SLD-Z19XL-3G-0Z9-RMR-DLC

NOTE:

- O.Z-9C specific parts (slide, barrel, grip) are **NOT COMPATIBLE** nor interchangeable with the O.Z-9.
- These slides will **NOT** work on Gen4 or Gen5 frames
- These slides will **NOT** work on G17, G34, or O.Z-9 frames
- These slides will **NOT** work with Gen3 or Gen4 G17 or G34 barrels
- 19L requires the use of a ZEV Gen5 G17 Optimized Barrel
- 19XL requires the use of a ZEV Gen5 G34 Optimized Barrel



O.Z-9C 19L

O.Z-9C 19L SLIDE & ZEV GEN5 G17 OPTIMIZED BARREL



O.Z-9C GRIP

O.Z-9C RECEIVER



O.Z-9C 19XL

O.Z-9C 19XL SLIDE & ZEV GEN5 G34 OPTIMIZED BARREL



O.Z-9C GRIP

O.Z-9C RECEIVER



ZEV Technologies introduces a new level of modularity to the Gen3 G19 platform with Citadel Conversion Slides. Just as the name implies, you can now quickly and easily convert your Gen3 G19 for different uses. Offered in two sizes, 19L and 19XL, the longer Citadel Conversion Slides bring increased accuracy and control to the compact platform.

The G19 is a great platform configured for concealed carry, but why stop there? Install a 19L slide and now it's ready for a range day, training class, or home defense. Install the 19XL and now it's ready for competition use. The ZEV Conversion Slides provides the ability to configure one firearm to match any need without having to purchase additional serialized frames.

ZEV Conversion Slides are only compatible with OZ9C and Gen3 G19 frames. Due to the difference in locking lugs between compact and full size frames, ZEV Conversion Slides require the use of ZEV Gen5 G17 or G34 Optimized Match Barrels. ZEV recommends the use of our 20lb. compact recoil spring and guide rod with both the 19L and 19XL, however the use of original G19/O.Z-9C guide rod and springs are acceptable.

ZEV Stripped Conversion Slides features:

- Machined from 17-4 Stainless steel billet
- Lowered ejection port to aid in ejection of brass
- Match grade, precision milled tolerances that are tighter than factory
- Improved accuracy and grouping performance upon installation
- RMR adapter plate included

ZEV O.Z9C Conversion Slide Specifications:

Model	Width	Height	Length	Weight
Citadel 19L	1.0"	.84"	7.25"	10.1 oz.
Citadel 19XL	1.0"	.84"	8"	10.8 oz.

MODEL	GEN	SKU
CITADEL 19L	1-3	SLD-Z19L-3G-CIT-RMR-DLC
CITADEL 19XL	1-3	SLD-Z19XL-3G-CIT-RMR-DLC

NOTE:

- O.Z-9C specific parts (slide, barrel, grip) are **NOT COMPATIBLE** nor interchangeable with the O.Z-9.
- These slides will **NOT** work on Gen4 or Gen5 frames
- These slides will **NOT** work on G17, G34, or O.Z-9 frames
- These slides will **NOT** work with Gen3 or Gen4 G17 or G34 barrels
- 19L requires the use of a ZEV Gen5 G17 Optimized Barrel
- 19XL requires the use of a ZEV Gen5 G34 Optimized Barrel



CITADEL 19L



CITADEL 19XL



The ZEV Citadel slide features front and rear angled side serrations for a positive grip, as well as channels on the top of the slide to reduce glare. No matter your slide grip location preference during manipulation, press checks, or malfunction clearing drills, the angled serrations keep your hand from slipping off the slide by naturally moving your hand downward and on to the slide when pulling back, whether wearing gloves or not.

Our stainless steel slides are designed to improve accuracy and performance. They are manufactured in our state-of-the-art manufacturing facility from a single billet of 17-4 stainless steel to tighter tolerances than factory slides for increased consistency in barrel lockup which improves accuracy.

All ZEV slides have our patented optic cut which features posts allowing for more thread area keeping your optic securely mounted to your slide.

ZEV slides weigh less than factory slides, therefore reduce reciprocating weight, which reduces fatigue and allows for faster shot follow-up placement.

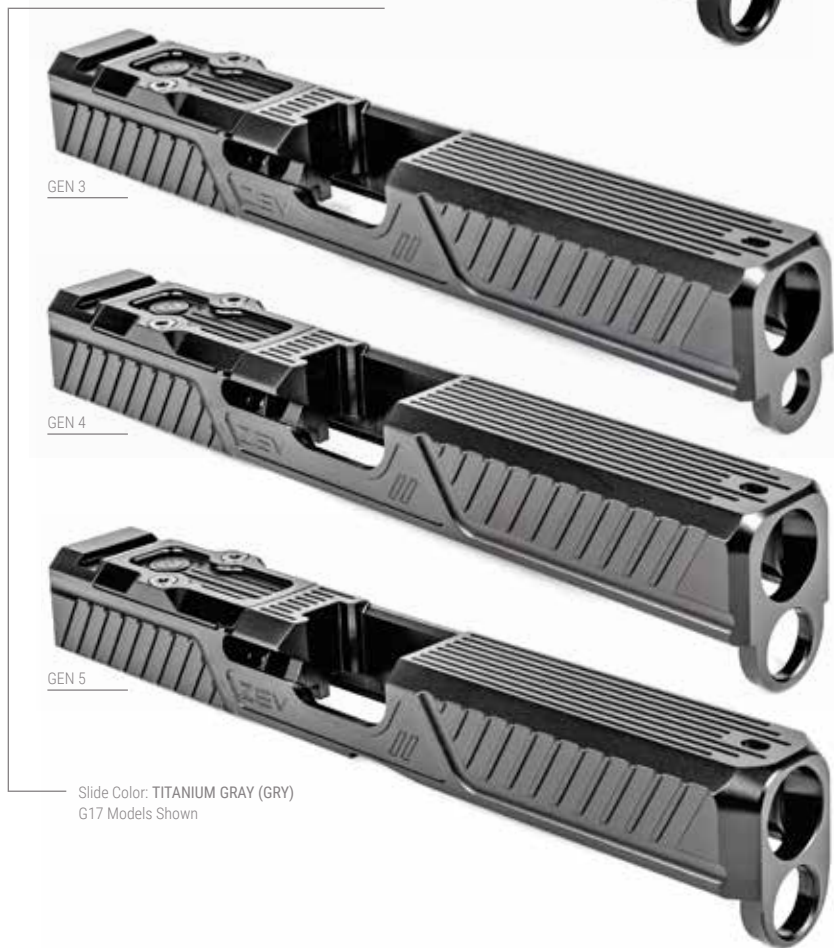
ZEV Stripped Slides features:

- Machined from 17-4 Stainless steel billet
- Lowered ejection port to aid in ejection of brass
- Match grade, precision milled tolerances that are tighter than factory
- Improved accuracy and grouping performance upon installation
- DLC or PVD coatings offered have a Rockwell hardness rating above that of factory coatings
- RMR adapter plate included

ZEV Slide Specifications:

Model	Width	Height	Length	Weight
G19	1.0"	.84"	6.75"	10.66 oz.
G17	1.0"	.84"	7.25"	10.83 oz.

MODEL	GEN	BLACK (DLC)	TITANIUM GRAY (GRY)
19	1-3	SLD-Z19-3G-CIT-RMR-DLC	SLD-Z19-3G-CIT-RMR-GRY
19	4	SLD-Z19-4G-CIT-RMR-DLC	SLD-Z19-4G-CIT-RMR-GRY
19	5	SLD-Z19-5G-CIT-RMR-DLC	SLD-Z19-5G-CIT-RMR-GRY
17	1-3	SLD-Z17-3G-CIT-RMR-DLC	SLD-Z17-3G-CIT-RMR-GRY
17	4	SLD-Z17-4G-CIT-RMR-DLC	SLD-Z17-4G-CIT-RMR-GRY
17	5	SLD-Z17-5G-CIT-RMR-DLC	SLD-Z17-5G-CIT-RMR-GRY



The Duty slides feature the same workmanship and quality that ZEV is known for with a functionally driven design and utilitarian coating for the no-nonsense shooter who is looking to complete a new frame build or to enhance the functionality of their Glock. The black nitride finish provides a durable coating and the patented ZEV RMR cut enables the use of red dot sights using an RMR installation footprint. We've reduced the cost, but not the quality.

ZEV Stripped Slides features:

- Machined from 17-4 Stainless steel billet
- Lowered ejection port to aid in ejection of brass
- Match grade, precision milled tolerances that are tighter than factory
- Improved accuracy and grouping performance upon installation
- Torx wrench and two sets of RMR screws (tall and short) included



NOTE: ZEV RMR Cover Plate not included. Sold separately.

MODEL	GEN	BLACK
19	1-3	SLD-Z19-3G-DUTY-RMR-BLK
19	5	SLD-Z19-5G-DUTY-RMR-BLK
17	1-3	SLD-Z17-3G-DUTY-RMR-BLK
17	5	SLD-Z17-5G-DUTY-RMR-BLK

ZEV Slide Specifications:

Model	Width	Height	Length	Weight
G19	1.0"	.84"	6.75"	10.6 oz.
G17	1.0"	.84"	7.25"	10.8 oz.



ZEV makes everything you need to keep your ZEV or OEM slide operating at peak level, we design, engineer, manufacture and test every part we make in house.

ZEV ENHANCED EXTRACTOR

The ZEV Enhanced Extractor features enhanced geometry to increase engagement on the case rim which improves reliability during operation of the pistol. The ZEV Enhanced Extractor is machined from billet alloy steel and DLC coated for durability.

- Compatible with ZEV OZ9 slides
- Compatible with Gen1-4 G19, G17, and G34 ZEV and OEM Glock slides.

SKU
EXTR-9



ZEV STAINLESS STEEL GUIDE ROD

Our stainless steel replacement guide rod allows you to change spring weights to tune your pistol to a particular load. The guide rod is designed with a replaceable screw-head that can be changed, if necessary, to extend the life of the part. The guide rod can also be run captured or uncaptured.

- Recommended usage of either an ISMI recoil spring in a corresponding correct weight for your pistol. In most cases 11-17 lbs.
- NOT compatible with GLOCK factory guide rod springs
- Gen-4 compatible with the use of guide rod reducing ring



FRAME	SKU
STANDARD	G.ROD-STD-SS
GEN 1-3	Fits models: G17, G17C, G17L, G22, G22C, G24, G24C, G31, G31C, G34, G35, G37
GEN 4	Fits models: G17, G22, G31, G34, G35, G37



FRAME	SKU
COMPACT	G.ROD-CPT-SS
GEN 1-3	Fits models: G19, G19C, G23, G23C, G32, G32C, G38
GEN 4	Fits models: G19, G23, G32
GEN 5	Fits models: G19 with use of a reducing ring

ZEV GUIDE ROD REDUCING RING – GEN-4, GEN-5

Retrofit your GLOCK Gen 4-5 to use a single guide-rod and spring assembly.

- Compatible with both OEM Glock slides and ZEV slides
- For use on Gen 4 and Gen 5 models

COLOR	SKU
SILVER	RDC-4G-SS
BLACK	RDC-4G-SS-DLC



ZEV FIRING PIN SAFETY

The firing pin safety prevents the striker from being able to impact the primer of a chambered round without the trigger being pulled, which means that when you are ready to shoot your pistol the trigger needs to depress the firing pin safety first before it can be discharged. ZEV's firing pin safety features polished engagement surfaces and includes a reduced power spring which contribute to a cleaner, lighter trigger pull. Machined from stainless steel and available in both small and large sizes for compatibility with most Glock models.

SIZE	SKU
SMALL	FPS-SS-SM
LARGE	FPS-SS-LG



ZEV SKELETONIZED STRIKER

A reduced power striker spring contributes to a lighter trigger pull, but when used in conjunction with a standard Glock striker it can occasionally result in light primer strikes. ZEV's skeletonized striker is lighter than a standard Glock striker and features an extended firing pin to reduce the likelihood of light primer strikes without sacrificing the lighter trigger pull. ZEV strikers are precision machined from stainless steel and then all engagement surfaces are polished to ensure a smooth, clean trigger pull.

SKU
STK-SM



ZEV BACKPLATE

Update the aesthetics of your slide with this honeycomb textured backplate. Fits all standard sized GLOCK and ZEV slides. Constructed of anodized black aluminum.

SKU
BK.PLATE-AL



The single most important upgrade you can make to your GLOCK pistol is replacing your factory sights, ZEV Technologies sight sets are machined from quality steel and coated to protect the finish. Sights are available in different heights. Whether you are looking to increase accuracy or co-witness your red dot optics, ZEV has you covered.

ZEV FRONT SIGHTS

ZEV front sights are designed to be used with one of the many rear sights available for GLOCK factory replacement and are an excellent and cost-effective upgrade. Best suited for ZEV combat rear, the ZEV front sight gives you everything you need to upgrade your sight picture to shoot like the pros and comes in either Black or Fiber Optic.

- A clean serrated post for a glare free sight picture
- Improved accuracy due to ease of target transition and acquisition
- CNC-machined stainless steel construction
- Black DLC coated for hardness and resistance to wear

HEIGHT	MODEL	SKU
.215	FIBER	SIGHT.K-FR-215-FO
.215	BLACK	SIGHT.K-FR-215-B



FIBER

BLACK

ZEV COMBAT REAR SIGHT

An excellent and cost-effective upgrade to any GLOCK®. Best suited to work in tandem with one of our ZEV front sights, the ZEV Combat Rear Sight gives shooters everything they need to upgrade sight picture and to shoot like the pros.

- A clean serrated face for a glare free sight picture
- Notch width of .140 & Notch Dept of .145 will allow you enough room to keep your eyes on target during transitions
- CNC-machined stainless steel construction
- Black DLC coated for hardness and resistance to wear

SKU
SIGHT.K-RR-COM3-B



ZEV CO-WITNESS SIGHT SET

ZEV backup iron sights (BUIS) are designed to be used with one of the many mini red dot sights available on the market - such as Trijicon's RMR.

- Iron sight sets have the highest resolution and greatest ease of acquisition
- Notch width of .140 & Notch Dept of .145 will allow you enough room to keep your eyes on target during transitions

HEIGHT	SKU
.300	SIGHT.SET-300-CW-B-CW-B



ZEV RMR ADAPTER PLATE

The Zev Technologies Red Dot Sight Adapter Plate for the Trijicon RMR is machined from aluminum to match the specific red dot sight cut.

- Black anodized
- Easy to install
- Seats directly over the positioning posts machined into slide
- Allows for easy removal and replacement for any Trijicon RMR that is removed periodically for usage

SKU
ADAP-RMR-B



NOTE: Compatible with ZEV cut slide ONLY.



ZEV Combat Night Sights give shooters a durable high visibility iron sight option that works in all lighting conditions. Designed to be identical in form and function to our current fiber optic combat sight set but with the addition of tritium vials for low light illumination.

The front sight has a narrow bright orange ring surrounding the tritium dot for daytime use. The rear sight has two tritium dots, has an angled edge to aid in one handed operation of the slide, and does not overhang the RMR optic cut.

Due to the low mounting of an RMR with our patented optic cut, it still provides a lower 1/3 co-witness with an RMR mounted. Assembled in the USA with Swiss tritium for maximum brightness.

Offered in the following configurations

- ZEV Combat Night Sight Set
 .215 Tritium Front with Orange Ring
 Tritium Rear
- ZEV Combat Night Sight Set
 .215 Tritium Front with Orange Ring
 Standard Rear
- ZEV .215 Tritium Front Night Sight with Orange Ring
- ZEV Combat Rear Night Sight with Tritium

NOTE: 12 year warranty coverage and service life of the tritium

ZEV COMBAT NIGHT SIGHT SET
 • .215 Tritium Front with Orange Ring
 • Tritium Rear

SKU
 SIGHT.SET-215-NS-COM3-NS-B



ZEV COMBAT NIGHT SIGHT SET
 • .215 Tritium Front with Orange Ring
 • Standard Rear

SKU
 SIGHT.SET-215-NS-COM3-B



ZEV TRITIUM FRONT NIGHT SIGHT
 • .215 Tritium Front with Orange Ring

SKU
 SIGHT.K-FR-215-NS



ZEV TRITIUM COMBAT REAR NIGHT SIGHT
 • Tritium Rear

SKU
 SIGHT.K-RR-COM3-NS-B



ZEV Technologies Optimized Match Barrels have been redesigned for improved performance and Gen5 compatibility. Enhanced features include a recessed target crown, a new match chamber, and a stylized barrel hood with caliber and model engravings and a loaded chamber indicator.

ZEV's proprietary broach cut 1 in 14" left hand twist rifling was developed to create the most accurate Glock aftermarket barrel available, and testing confirms a significant increase in accuracy over factory barrels in all standard bullet weights.

Manufactured from 416R stainless steel which is an ideal material for making match grade barrels because the material allows for the precise cutting of chambers and rifling which results in a more accurate barrel.

Available in Black DLC and Bronze.

G19 and G17 models are available either 1/2x28 threaded or non-threaded.

G34 models are non-threaded only.

ZEV BARREL COMPATIBILITY

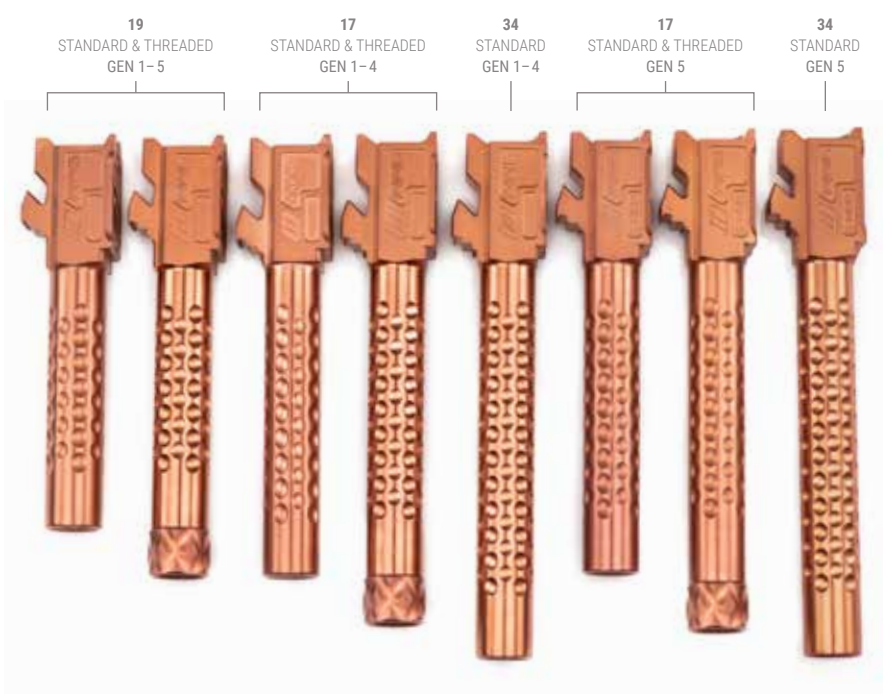
BARREL	GLOCK MODEL	GEN 1-4	GEN 5
19	G19, G19X, G45	✓	✓
17	G17	✓	-
17 G5	G17	-	✓
34	G34	✓	-
34 G5	G34	-	✓

STANDARD BARREL

MODEL	GEN	BRONZE	DLC
19	1-5	BBL-19-OPT-BRZ	BBL-19-OPT-DLC
17	1-4	BBL-17-OPT-BRZ	BBL-17-OPT-DLC
17	5	BBL-17-OPT-5G-BRZ	BBL-17-OPT-5G-DLC
34	1-4	BBL-34-OPT-BRZ	BBL-34-OPT-DLC
34	5	BBL-34-OPT-5G-BRZ	BBL-34-OPT-5G-DLC

THREADED BARREL

MODEL	GEN	BRONZE	DLC
19	1-5	BBL-19-OPT-TH-BRZ	BBL-19-OPT-TH-DLC
17	1-4	BBL-17-OPT-TH-BRZ	BBL-17-OPT-TH-DLC
17	5	BBL-17-OPT-5G-TH-BRZ	BBL-17-OPT-5G-TH-DLC



ZEV Technologies PRO Barrels offer a smooth exterior and a streamlined hood design that incorporates the ZEV logo slashes and caliber marking. The PRO barrel line features extremely tight tolerances and are manufactured with pre-hardened chromium stainless steel (416R) that was originally designed for use in Match Grade rifle barrels. This material provides high tensile strength and toughness to withstand typical chamber pressures while still being highly corrosion resistant.

ZEV PRO barrel bores are some of the most precise in the industry. Every barrel is double honed (rough and finish) until a minimum surface finish of 16 RA is reached. During this process the barrels are held to a final dimension of +/- 0.003" for consistency and accuracy.

The barrels are cut rifled and 100% inspected for groove dimensions and broach finish. Available standard and threaded with 1/2 x 28 suppressor threading.

NOTE: Model specific.

ZEV Barrel specs:

- 416R Rifle Barrel Quality Stainless Steel
- Match grade drop in barrel
- Final dimension of +/- 0.003" for consistency and accuracy
- SAAMI spec. Match chambers
- Rifled with a 1 in 10" twist rate

ZEV Barrel Compatibility:

Standard Barrel	Gen
G19	1-5
G17	1-4
Threaded Barrel	Gen
G19	1-5
G17	1-4

STANDARD BARREL

MODEL	GEN	BRONZE	DLC
19	1-5	BBL-19-PRO-BRZ	BBL-19-PRO-DLC
17	1-4	BBL-17-PRO-BRZ	BBL-17-PRO-DLC

THREADED BARREL

MODEL	GEN	BRONZE	DLC
19	1-5	BBL-19-PRO-TH-BRZ	BBL-19-PRO-TH-DLC
17	1-4	BBL-17-PRO-TH-BRZ	BBL-17-PRO-TH-DLC

G17 Shown Color: BRONZE
Model: Threaded & Standard

G19 Shown Color: BRONZE
Model: Threaded & Standard



G17 Shown Color: DLC
Model: Threaded & Standard

G19 Shown Color: DLC
Model: Threaded & Standard



The ZEV V2 PRO Compensator was designed to enhance the performance of your Glock pistol by reducing muzzle rise and felt recoil. The V2 improves upon the original PRO Compensator with contoured porting, an enlarged guide rod channel, and a new mounting system which permits secure installation and removal without the need for thread locking compound.

The ZEV V2 PRO Compensator was developed and optimized for use on the G19 but will fit and function on all 9mm Glock models with a corresponding threaded barrel. Due to its compact size, when installed on a G19 with ZEV threaded barrel, it has the same overall length as a G34 slide and is compatible with most G34 holsters.

The V2 PRO Compensator will generally function with standard power 9mm ammunition and factory recoil assemblies but best performance will be obtained through matching the recoil spring weight to your particular pistol and ammunition.

ZEV V2 Compensator features:

- Contoured porting
- Enlarged guide rod channel
- Improved mounting system

Thread Specifications:

MODEL	THREAD PITCH
V2 PRO	1/2x28 threading
Left Handed	13.5x1 LH threading

V2 PRO COMPENSATOR

MODEL	SKU
V2 PRO	COMP-PRO-V2-B
LEFT HANDED	COMP-PRO-V2-LH-B



ZEV created the market for GLOCK trigger upgrades. Over the years, our triggers have won more world championships and are in the hands of more professionals than all other after-market triggers, combined.

We didn't stop there, beginning two years ago we set out to reinvent our entire product line. After thousands of hours of design and engineering and after hundreds of thousands of rounds of testing, we are proud to announce a product line built from the ground up to perform better and more reliably than anything else on the market.

At the core of our PRO Flat Face trigger is ZEV's new proprietary trigger bar and professional connector. These products deliver the crispest, cleanest trigger pull available. Finally, our new trigger pad features a revolutionary riveted assembly process that makes it the longest lasting and most reliable replacement trigger on the market.

- Drop-in installation
- Available for most GLOCK models
- Mil-Spec hard-anodized aluminum construction
- All ZEV triggers include our NEW PRO connector



Gen 1-4 Trigger Bar with ZEV PRO Connector Shown
Black Trigger Pad / Red Safety

Drop-In Kit



Drop In Kit includes:

- Ejector Housing (caliber specific)
Gen 3 EH-3G
Gen 4 EH-4G
- ZEV PRO Connector CONN-PRO
- ZEV Trigger Spring SPR-TRG
- ZEV PRO Striker Spring SPR-STK-PRO
- ZEV Stainless Steel Firing Pin Safety FPS-SS
- ZEV Firing Pin Safety Spring SPR-FPS



Gen 5 Trigger Bar with ZEV PRO Connector Shown
Black Trigger Pad / Black Safety

Ultimate Kit



Ultimate Kit includes the Drop In Kit plus the following:

- ZEV Stainless Steel Skeletonized Striker STK-SM

TRIGGER BAR

CALIBER	GEN	TRIGGER/SAFETY COLOR	SKU
9mm / .40, .357 / .45 GAP	1-4	BLACK / BLACK	FFT-PRO-BAR-SM-B-B
	1-4	BLACK / RED	FFT-PRO-BAR-SM-B-R
9mm	5	BLACK / BLACK	FFT-PRO-BAR-5G-B-B
	5	BLACK / RED	FFT-PRO-BAR-5G-B-R

TRIGGER KITS

CALIBER	GEN	TRIGGER/SAFETY COLOR	DROP-IN KIT SKU	ULTIMATE KIT SKU	
9mm	1-3	BLACK / BLACK	FFT-PRO-DRP-3G9-B-B	FFT-PRO-ULT-3G9-B-B	
	1-3	BLACK / RED	FFT-PRO-DRP-3G9-B-R	FFT-PRO-ULT-3G9-B-R	
	Fits: G17C, G17L, G19, G19C, G26, G34				
	4	BLACK / BLACK	FFT-PRO-DRP-4G9-B-B	FFT-PRO-ULT-4G9-B-B	
	4	BLACK / RED	FFT-PRO-DRP-4G9-B-R	FFT-PRO-ULT-4G9-B-B	
	Fits: G17, G19, G26, G34				
.40	1-3	BLACK / BLACK	FFT-PRO-DRP-3G40-B-B	FFT-PRO-ULT-3G40-B-B	
	1-3	BLACK / RED	FFT-PRO-DRP-3G40-B-R	FFT-PRO-ULT-3G40-B-R	
	Fits: G22, G22C, G23, G23C, G24, G24C, G27, G35				
	4	BLACK / BLACK	FFT-PRO-DRP-4G40-B-B	FFT-PRO-ULT-4G40-B-B	
	4	BLACK / RED	FFT-PRO-DRP-4G40-B-R	FFT-PRO-ULT-4G40-B-R	
	Fits: G22, G23, G27, G35				



ZEV created the market for GLOCK trigger upgrades. Over the years, our triggers have won more world championships and are in the hands of more professionals than all other after-market triggers, combined.

We didn't stop there, beginning two years ago we set out to reinvent our entire product line. After thousands of hours of design and engineering and after hundreds of thousands of rounds of testing, we are proud to announce a product line built from the ground up to perform better and more reliably than anything else on the market.

At the core of our PRO Curved Face trigger is ZEV's new proprietary trigger bar and professional connector. These products deliver the crispest, cleanest trigger pull available. Finally, our new trigger pad features a revolutionary riveted assembly process that makes it the longest lasting and most reliable replacement trigger on the market.

- Drop-in installation
- Ergonomically correct trigger pad
- Available for most GLOCK models
- Mil-Spec hard-anodized aluminum construction
- All ZEV triggers include our NEW PRO connector

Drop-In Kit



Drop In Kit includes:

- Ejector Housing (caliber specific)
 - Gen 3 EH-3G
 - Gen 4 EH-4G
- ZEV PRO Connector..... CONN-PRO
- ZEV Trigger Spring..... SPR-TRG
- ZEV PRO Striker Spring..... SPR-STK-PRO
- ZEV Stainless Steel Firing Pin Safety FPS-SS
- ZEV Firing Pin Safety Spring..... SPR-FPS

Ultimate Kit



Ultimate Kit includes the Drop In Kit plus the following:

- ZEV Stainless Steel Skeletonized Striker..... STK-SM



TRIGGER BAR

CALIBER	GEN	TRIGGER/SAFETY COLOR	SKU
9mm/.40, .357/.45 GAP	1-4	BLACK / BLACK	CFT-PRO-BAR-SM-B-B
	1-4	BLACK / RED	CFT-PRO-BAR-SM-B-R
	1-4	BLACK / RED	CFT-PRO-BAR-43-B-R
9mm	5	BLACK / BLACK	CFT-PRO-BAR-5G-B-B
	5	BLACK / RED	CFT-PRO-BAR-5G-B-R
10 mm	1-4	BLACK / BLACK	CFT-PRO-BAR-LG-B-B
	1-4	BLACK / RED	CFT-PRO-BAR-LG-B-R

TRIGGER KITS

CALIBER	GEN	TRIGGER/SAFETY COLOR	DROP-IN KIT SKU	ULTIMATE KIT SKU	
9mm	1-3	BLACK / BLACK	CFT-PRO-DRP-3G9-B-B	CFT-PRO-ULT-3G9-B-B	
	1-3	BLACK / RED	CFT-PRO-DRP-3G9-B-R	CFT-PRO-ULT-3G9-B-R	
	Fits: G17C, G17L, G19, G19C, G26, G34				
	4	BLACK / BLACK	CFT-PRO-DRP-4G9-B-B	CFT-PRO-ULT-4G9-B-B	
	4	BLACK / RED	CFT-PRO-DRP-4G9-B-R	CFT-PRO-ULT-4G9-B-R	
	Fits: G17, G19, G26, G34				
.40	1-3	BLACK / BLACK	CFT-PRO-DRP-3G40-B-B	CFT-PRO-ULT-3G40-B-B	
	1-3	BLACK / RED	CFT-PRO-DRP-3G40-B-R	CFT-PRO-ULT-3G40-B-R	
	Fits: G22, G22C, G23, G23C, G24, G24C, G27, G35				
	4	BLACK / BLACK	CFT-PRO-DRP-4G40-B-B	CFT-PRO-ULT-4G40-B-B	
	4	BLACK / RED	CFT-PRO-DRP-4G40-B-R	CFT-PRO-ULT-4G40-B-R	
	Fits: G22, G23, G27, G35				
.45 SF	1-3	BLACK / BLACK	CFT-PRO-DRP-45SF-B-B	CFT-PRO-ULT-45SF-B-B	
	1-3	BLACK / RED	CFT-PRO-DRP-45SF-B-R	CFT-PRO-ULT-45SF-B-R	
	Fits: Gen 1-3: G21S, G30S / Gen-4: G21, G30, G41				
.45	1-3	BLACK / BLACK	CFT-PRO-DRP-3G45-B-B	CFT-PRO-ULT-3G45-B-B	
	1-3	BLACK / RED	CFT-PRO-DRP-3G45-B-R	CFT-PRO-ULT-3G45-B-R	
	Fits: G21, G21C, G30				
10mm SF	1-4	BLACK / BLACK	CFT-PRO-DRP-10SF-B-B	CFT-PRO-ULT-10SF-B-B	
	1-4	BLACK / RED	CFT-PRO-DRP-10SF-B-R	CFT-PRO-ULT-10SF-B-R	
	Fits: Gen 1-3: G20S, G29S / Gen-4: G20, G29, G40				
10mm	1-3	BLACK / BLACK	CFT-PRO-DRP-3G10-B-B	CFT-PRO-ULT-3G10-B-B	
	1-3	BLACK / RED	CFT-PRO-DRP-3G10-B-R	CFT-PRO-ULT-3G10-B-R	
	Fits: G20, G20C, G29				

The ZEV Technologies Adjustable Fulcrum Drop-In Trigger Kit is the single most important upgrade a user can make to their Glock pistol. Our triggers feature a wider trigger pad and safety for better user engagement and will help build proper muscle memory for improved consistency and accuracy.

The trigger weight can be adjusted to as low as 3 lbs, while a noticeably crisp reset improves the ability to ride the reset for better follow up shot speed and placement.

Pre-travel and over-travel are adjustable to allow for a shorter pull, crisper break and faster reset. The ZEV Trigger Bar is the ONLY proprietary GLOCK replacement trigger bar that reduces travel, and provides professional, crisp trigger pull while keeping all factory Glock safeties intact.

NOTE:

ZEV Technologies recommends this for competition use ONLY.
The ZEV trigger bar is in our small frame trigger kits only (9mm/.40)

Ultimate Kit includes:

- Ejector Housing (caliber specific)
Gen 3EH-3G
Gen 4EH-4G
- ZEV Pro ConnectorCONN-PRO
- ZEV Trigger Spring.....SPR-TRG
- ZEV Stainless Steel Skeletonized Striker.....STK-SM
- ZEV 2lb Striker SpringSPR-STK-2LB
ZEV 3lb Striker SpringSPR-STK-3LB
- ZEV Stainless Steel Firing Pin SafetyFPS-SS
- ZEV Firing Pin Safety Spring.....SPR-FPS
- 2 Adjustment Wrenches
- All ZEV triggers include our NEW PRO connector

CALIBER	GEN	TRIGGER/SAFETY COLOR	SKU
9mm	1-3	BLACK / BLACK	FUL-ADJ-ULT-9-B-B
	1-3	BLACK / RED	FUL-ADJ-ULT-9-B-R
	Fits: G17C, G17L, G19, G19C, G26, G34		
	4	BLACK / BLACK	FUL-ADJ-ULT-4G9-B-B
	4	BLACK / RED	FUL-ADJ-ULT-4G9-B-R
	Fits: G17, G19, G26, G34		
.40	1-3	BLACK / BLACK	FUL-ADJ-ULT-40-B-B
	1-3	BLACK / RED	FUL-ADJ-ULT-40-B-R
	Fits: G22, G22C, G23, G23C, G24, G24C, G27, G35		
	4	BLACK / BLACK	FUL-ADJ-ULT-4G40-B-B
	4	BLACK / RED	FUL-ADJ-ULT-4G40-B-R
	Fits: G22, G23, G27, G35		



Pre-Travel Adjustment



Over-Travel Adjustment



ZEV PRO CONNECTOR

The ONLY proprietary GLOCK replacement trigger bar that reduces travel, and provides professional, crisp trigger pull while keeping all factory Glock safeties intact. With two years of development and tens of thousands of rounds of testing, the all-new ZEV PRO connector is engineered to provide users with a consistent, positive reset and a reduction in trigger pull weight without sacrificing the reliability or safety of your pistol.

Whether used in conjunction with a ZEV trigger or with your stock Glock trigger, the PRO connector will provide a noticeable increase in performance and is ready to drop-in and use straight from ZEV, no fitting or polishing required.

- Improved geometry for lightened trigger pull with crisp, positive reset
- New proprietary material for improved spring tension
- Use in conjunction with ZEV competition spring kit for best results
- Compatible with all Glock models except G42 and G43

SKU

CONN-PRO

**ZEV COMPETITION SPRING KIT**

The ZEV Technologies Competition Spring Kit contains a heavy trigger spring (heavier is better, as it assists with trigger pull), A reduced power firing pin spring, and a reduced power firing pin safety spring.

The result is the lighter and smoother trigger pull for your GLOCK. When used in conjunction with the ZEV Technologies PRO Connector, the trigger pull weight is reduced down to a smooth 3 lbs total.

- Improved geometry for lightened trigger pull with crisp, positive reset
- New proprietary material for improved spring tension
- Use in conjunction with ZEV competition spring kit for best results
- Compatible with all Glock models except G42 and G43

SKU

SPR-KIT



The ZEV Technologies PRO Magwell was designed for the professional shooter that is looking to enhance the look and performance of their Glock. The one piece design facilitates easy installation and utilizes a single attachment screw to securely mount to the Glock frame while retaining a low profile. Designed to fit both Gen-1-4 and Gen-5 GLOCK frames

The ZEV PRO Magwell was designed and tested for compatibility with standard capacity factory magazines.

- One piece 6061 aluminum design
- Type III anodized finish
- Kit includes magwell body, mounting screw, and wrench..

NOTE:

- Back straps may need to be modified if used.
- 10 Round magazines WILL NOT work with this model of magwell. If 10 round capacity magazines are primarily used, this product is not recommended.



Shown: Gen5 PRO Model Installed

GEN 1 - 4 PRO MAGWELL

MODEL	SKU
STANDARD	MW.K-STD-PRO-AL-B
GEN 1-3	Fits: G17C, G17L, G22, G22C, G24, G24C, G31, G31C, G34, G35, G37
GEN 4	Fits: G17, G22, G31, G34, G35, G37
COMPACT	MW.K-CPT-PRO-AL-B
GEN 1-3	Fits: G19, G19C, G23, G23C, G32, G32C, G38
GEN 4	Fits: G19, G23, G32



GEN 5 PRO MAGWELL

MODEL	SKU
GEN 5	MW.K-CPT-PRO-5G

Fits: Gen5 G19 only. Not for use on G26, G19X, G17 & G34 models.



The ZEV Technologies PRO Plus Magwell was designed for the professional shooter that is looking to enhance the look and performance of their Glock. The one piece design facilitates easy installation and utilizes a single attachment screw to securely mount to the Glock frame while retaining a low profile. Designed to fit both Gen-1-4 and Gen-5 GLOCK frames

The ZEV PRO Plus Magwell was designed and tested for compatibility with standard capacity factory magazines as well as magazines fitted with ZEV basepad magazine extensions. It also incorporates a pass-through hole at the back for lanyard retention.

- One piece 6061 aluminum design
- Type III anodized finish
- Kit includes magwell body, mounting screw, and wrench..

NOTE:

- Back straps may need to be modified if used.
- 10 Round magazines WILL NOT work with this model of magwell. If 10 round capacity magazines are primarily used, this product is not recommended.



Shown: Gen5 PRO Plus Model Installed

GEN 1 - 4 PRO PLUS MAGWELL

MODEL	SKU
STANDARD	MW.K-STD-PRO-PLUS
GEN 1-3	Fits: G17C, G17L, G22, G22C, G24, G24C, G31, G31C, G34, G35, G37
GEN 4	Fits: G17, G22, G31, G34, G35, G37



GEN 5 PRO PLUS MAGWELL

MODEL	SKU
GEN 5	MW.K-STD-PRO-PLUS-5G
Fits: Gen5 G17 & G34 models.	



ZEV Technologies designed a basepad to not only give extra round capacity but also aid in the cleaning process or your mag extension.

Basepads have been the same for many years and the feedback we have received from users and competition shooters was that they were tired of trying to clean magazines once basepads were installed. ZEV basepads feature a removable floor plate to aid in the cleaning of your magazine. If your magazine ends up in the dirt simply remove the floor plate, spring and clean.

Featuring a customized baseplate and integrated sliding lock mechanism, this magazine basepad extension allows the user to disassemble and reassemble the magazine for cleaning without the use of tools.

- Adds +5 capacity on 9mm
- Adds +4 capacity on .40 cal
- Fits standard capacity GLOCK 9mm & .40 magazines
- 3-piece design is easy to reassemble without damaging the mag body
- Additional power spring provided
- Available in Red and Black anodized aluminum

NOTE:

GLOCK magazine not included.
Not compatible with restricted capacity GLOCK magazines.

COMPATIBILITY:

Gen 1-3 Fits: G17C, G17L, G22, G22C, G24, G24C, G31, G31C, G34, G35
Gen 4 Fits: G17, G22, G31, G34, G35



GLOCK MAGAZINE BASEPAD

COLOR	SKU
RED	BPAD-EXT-GLK-5-R
BLACK	BPAD-EXT-GLK-5-B



ZEV has a full catalog of internals to upgrade your frame. ZEV products increase the ease of use with our extended slide lock, a factory extended slide release and extended magazine release. We also have extra or spare frame pins which are a great addition to your range bag or tool kit. It never hurts to have an extras.

ZEV EXTENDED MAGAZINE RELEASE (GEN-3)

An all aluminum extended mag release upgrade from the plastic factory version. Features a textured oversized head, allowing shooters to access it without shifting grip.

- Aluminum mag release body and button are more durable than factory plastic mag release
- Mil-Spec hard-anodized, aircraft-grade billet aluminum
- Allen wrench included

SIZE	BUTTON COLOR	SKU
LARGE	SILVER	MR-LG-3G-S
	BLACK	MR-LG-3G-B

Fits models: G20, G21, G29, G30

SIZE	BUTTON COLOR	SKU
SMALL	SILVER	MR-SM-3G-S
	BLACK	MR-SM-3G-B

Fits models: G17, G19, G34, G22, G23, G35



ZEV EXTENDED MAGAZINE RELEASE (GEN-4, GEN-5)

Designed with an aggressive rearward angle and a non-slip textured face that matches the factory finish of your Gen-4 and Gen-5 grip.

- Drop-in replacement part.

SIZE	SKU
LARGE	MR-LG-4G

Fits models: G20, G21, G29, G30, G40, G41

SIZE	SKU
SMALL	MR-SM-4G

Fits models: G17, G19, G34, G22, G23, G35



ZEV TITANIUM PIN KIT

Precision-machined titanium pins are stronger and fit your GLOCK frame better than factory pins.

- Kit includes one each of the following: Trigger Pin, Locking Block Pin, Ejector housing pin
- Gen-4 kit comes with an additional Ejector housing pin, longer for usage of backstrap (shown).

MODEL	SKU
GEN 1-3	PIN-KIT-3G
GEN 4	PIN-KIT-4G





RIFLE PRODUCTS



Designed with the firepower of a large frame caliber in an AR15 sized package, the ZEV Small Frame delivers long range capability at a fraction of the size of its larger counterpart. Chambered in the popular 6.5 Creedmoor, with ballistic advantages over the .308 when shooting longer distances, this rifle is a perfect choice for both hunting and PSR style shooting when reaching out farther matters to you.

ZEV conducted extensive testing to refine the operating system and to ensure absolute reliability and longevity without sacrificing the look and feel of a high quality custom rifle. The 6.5 Creedmoor ZEV Small Frame combines these benefits with a custom sub-MOA match grade heavy barrel to create a precision rifle that is second to none.

All ZEV Billet Rifles are born of innovative design, the highest quality materials, state-of-the-art manufacturing processes, and rigid standards for impeccable quality and finish work. Using best-in-class components each rifle is assembled and tested in-house by our expert gunsmiths resulting in a light weight, versatile, and high performance firearm. Designed and manufactured in the USA.

Features:

- ZEV Billet Upper and Lower receivers are machined from 7075-T651 aluminum and finished in type III class 2 hard coat anodize
- ZEV extended length M-LOK free floating hand guard installs directly to the integrated rail base on the upper receiver which enhances rigidity while giving the rifle a unique and streamlined profile
- ZEV Slide Lock charging handle permits ambidextrous manipulation with an extended and textured latch for superior grip and ergonomics
- ZEV exclusive sniper gray flat face AR Gold trigger from ATC features a 2.5lb pull with a short reset and clean break
- Custom 20" 6.5 Creedmoor fluted 416R stainless steel sub-MOA match grade heavy barrel manufactured for ZEV by Noveske Rifleworks
- Custom tuned gas and buffer system for smooth cycling, consistent ejection, and low recoil
- Muzzle brake from SureFire for additional recoil reduction to keep the rifle on target through recoil and aid in making follow up shots
- Ambidextrous operating controls and Magpul furniture further enhance the user experience. Includes one 20 round PMAG
- Overall length of 38.75" with stock collapsed. Unloaded weight of 8.7 lbs

In comparison, the ZEV Small Frame has more parts compatible with an AR15 than that of a large frame rifle.

Rifle	Receiver Length	Receiver Height	Receiver Width	Weight
AR15	7.625"	3.25"	1.5"	8 lbs.
ZEV SMALL FRAME	8.375"	.3.25"	1.55"	8.7 lbs.
LARGE FRAME	8.938"	3.5"	1.625"	9 lbs.

BILLET SF 6.5 CREEDMOOR – 20"

SKU
RIFLE-SF-6.5-20-B



100%
MADE IN USA



ZEV Billet Rifles are born of innovative design, the highest quality materials, state-of-the-art manufacturing processes, and rigid standards for impeccable quality and finish work. Using best-in-class components each rifle is assembled and tested in-house by our expert gunsmiths resulting in a light weight, versatile, and high performance firearm. Designed and manufactured in the USA.

Features:

- ZEV Billet Upper and Lower receivers are precision-machined from 7075-T651 aluminum for strength and light weight, complete with an integral trigger guard, flared magwell, and finished in true black type III class 2 hard coat anodize.
- ZEV Wedge Lock hand guard provides a full length continuous top rail with M-LOK mounting system for maximum user customization and control, integrated anti-rotation pin ensures a consistent and continuous top-rail with the upper receiver.
- ZEV Slide Lock charging handle permits ambidextrous manipulation with an extended and textured latch for superior grip and ergonomics.
- Proof Research match grade 16" carbon fiber barrel chambered in .223 Wylde with a 1:8 twist and mid-length gas system. Capable of consistent sub-MOA accuracy with high quality factory ammunition.
- ZEV exclusive sniper grey flat face AR Gold trigger from ATC features a 2.5lb pull with a short reset and clean break that is second to none.
- Ambidextrous operating controls for the safety selector, bolt release, and magazine release.
- Low profile fixed gas block.
- SureFire WARCOMP closed tine flash hider to aid in recoil management and muzzle flash reduction. Serves as a mounting adapter for all SureFire SOCOM fast attach suppressors.
- H3 carbine buffer increases dwell time and reduces port-pressure to ensure reliable extraction and a smooth recoil impulse.
- Mil-spec carbine buffer tube provides six buttstock adjustment positions for user customization and comfort.
- Mil-spec staked castle nut with Magpul ASAP QD endplate with integral ambidextrous QD sling attachment point.
- Completed with Magpul furniture and one PMAG magazine.
- Rifle Weight – 6.57 lbs

SKU

AR15-BIL-223-CF-16-B



100%
MADE IN USA



ZEV Billet Rifles are born of innovative design, the highest quality materials, state-of-the-art manufacturing processes, and rigid standards for impeccable quality and finish work. Using best-in-class components each rifle is assembled and tested in-house by our expert gunsmiths resulting in a light weight, versatile, and high performance firearm. Designed and manufactured in the USA.

Features:

- ZEV Billet Upper and Lower receivers are precision-machined from 7075-T651 aluminum for strength and light weight, complete with an integral trigger guard, flared magwell, and finished in true black type III class 2 hard coat anodize.
- ZEV Wedge Lock hand guard provides a full length continuous top rail with M-LOK mounting system for maximum user customization and control, integrated anti-rotation pin ensures a consistent and continuous top-rail with the upper receiver.
- ZEV Slide Lock charging handle permits ambidextrous manipulation with an extended and textured latch for superior grip and ergonomics.
- ZEV custom 416R 16" fluted match barrel with bronze PVD coating, chambered in 5.56 NATO with a 1:7 twist and mid-length gas system. Capable of consistent sub-MOA accuracy with high quality factory ammunition.
- ZEV exclusive sniper grey flat face AR Gold trigger from ATC features a 2.5lb pull with a short reset and clean break that is second to none.
- Ambidextrous operating controls for the safety selector, bolt release, and magazine release.
- Low profile fixed gas block.
- SureFire WARCOMP closed tine flash hider to aid in recoil management and muzzle flash reduction. Serves as a mounting adapter for all SureFire SOCOM fast attach suppressors.
- H3 carbine buffer increases dwell time and reduces port-pressure to ensure reliable extraction and a smooth recoil impulse.
- Mil-spec carbine buffer tube provides six buttstock adjustment positions for user customization and comfort.
- Mil-spec staked castle nut with Magpul ASAP QD endplate with integral ambidextrous QD sling attachment point.
- Completed with Magpul furniture and one PMAG magazine.
- Rifle Weight – 6.98 lbs

SKU

AR15-BIL-556-16-B



100%
MADE IN USA



ZEV Billet Rifles are born of innovative design, the highest quality materials, state-of-the-art manufacturing processes, and rigid standards for impeccable quality and finish work. Using best-in-class components each rifle is assembled and tested in-house by our expert gunsmiths resulting in a light weight, versatile, and high performance firearm. Designed and manufactured in the USA.

Features:

- ZEV Billet Upper and Lower receivers are precision-machined from 7075-T651 aluminum for strength and light weight, complete with an integral trigger guard, flared magwell, and finished in true black type III class 2 hard coat anodize.
- ZEV Wedge Lock hand guard provides a full length continuous top rail with M-LOK mounting system for maximum user customization and control, integrated anti-rotation pin ensures a consistent and continuous top-rail with the upper receiver.
- ZEV Slide Lock charging handle permits ambidextrous manipulation with an extended and textured latch for superior grip and ergonomics.
- ZEV match grade 4150 Chrome Moly 16" barrel with QPQ corrosion resistant finish chambered in .308 Winchester with a 1:10 twist and mid-length gas system. Capable of consistent sub-MOA accuracy with high quality factory ammunition.
- ZEV exclusive sniper grey flat face AR Gold trigger from ATC features a 2.5lb pull with a short reset and clean break that is second to none.
- Ambidextrous operating controls for the safety selector, bolt release, and magazine release.
- Low profile fixed gas block.
- SureFire ProComp muzzle brake to aid in recoil management.
- H3 carbine buffer increases dwell time and reduces port-pressure to ensure reliable extraction and a smooth recoil impulse.
- Mil-spec buffer tube provides six buttstock adjustment positions for user customization and comfort.
- Mil-spec staked castle nut with Magpul ASAP QD endplate with integral ambidextrous QD sling attachment point.
- Completed with Magpul furniture and one PMAG magazine.
- Rifle Weight – 7.84 lbs

SKU
LF-BIL-308-16-B



100%
MADE IN USA

ZEV CORE ELITE Pistols are intended for serious shooters and represent the commitment to design, feel, performance that ZEV is known for.

This AR pistol features the high quality and aesthetics of ZEV rifle products with a combination of traditional mil-spec controls and functional upgrades that deliver excellent performance in the field or on the range.

Features:

- ZEV forged upper and lower receivers precision machined from 7075-T6 aluminum for strength and light weight, finished in true black type III class 2 hard coat anodize.
- ZEV Wedge Lock hand guard provides a full length continuous top rail with M-LOK mounting system. The integrated anti-rotation pin ensures a consistently aligned and continuous top rail with the upper receiver.
- ZEV custom 416R 8.5" match barrel with bronze PVD coating, chambered in .300 Blackout with a 1:7 twist and pistol length gas system.
- Low profile fixed gas block.
- H3 carbine buffer increases dwell time and reduces port pressure to ensure reliable extraction and a smooth recoil impulse.
- Direct thread Warden Blast Diffuser by SureFire directs the concussive blast of the fired round forward of the weapon system without venting gas to the side, as seen with standard muzzle brakes.
- Mil-spec chrome lined BCG with a manganese phosphate finish for improved lubricity and corrosion resistance.
- ZEV exclusive sniper grey flat face AR Gold trigger from ATC features a 2.5lb pull with a short reset and clean break that is second to none.
- Radian Weapons Talon ambidextrous safety selector.
- SBA3 4-position adjustable brace by SB Tactical greatly enhances the usability of the firearm by adding a third point of contact.
- ZEV Slide Lock charging handle permits ambidextrous manipulation with an extended and textured latch for superior grip and ergonomics.
- Completed with Magpul MIAD hand grip and one PMAG magazine.
- Pistol Weight – 5.66 lbs, 25" overall length.

SKU

AR15-CE-300-8.5-B



100%
MADE IN USA

ZEV CORE ELITE Pistols are intended for serious shooters and represent the commitment to design, feel, performance that ZEV is known for.

This AR pistol features the high quality and aesthetics of ZEV rifle products with a combination of traditional mil-spec controls and functional upgrades that deliver excellent performance in the field or on the range.

Features:

- ZEV forged upper and lower receivers precision machined from 7075-T6 aluminum for strength and light weight, finished in true black type III class 2 hard coat anodize.
- ZEV Wedge Lock hand guard provides a full length continuous top rail with M-LOK mounting system. The integrated anti-rotation pin ensures a consistently aligned and continuous top rail with the upper receiver.
- ZEV custom 416R 10.5" match barrel with bronze PVD coating, chambered in 5.56 NATO with a 1:7 twist and carbine length gas system.
- Low profile fixed gas block.
- H3 carbine buffer increases dwell time and reduces port pressure to ensure reliable extraction and a smooth recoil impulse.
- Direct thread Warden Blast Diffuser by SureFire directs the concussive blast of the fired round forward of the weapon system without venting gas to the side, as seen with standard muzzle brakes.
- Mil-spec chrome lined BCG with a manganese phosphate finish for improved lubricity and corrosion resistance.
- ZEV exclusive sniper grey flat face AR Gold trigger from ATC features a 2.5lb pull with a short reset and clean break that is second to none.
- Radian Weapons Talon ambidextrous safety selector.
- SBA3 4-position adjustable brace by SB Tactical greatly enhances the usability of the firearm by adding a third point of contact.
- ZEV Slide Lock charging handle permits ambidextrous manipulation with an extended and textured latch for superior grip and ergonomics.
- Completed with Magpul MIAD hand grip and one PMAG magazine.
- Pistol Weight – 6.14 lbs, 27" overall length.

SKU

AR15-CE-556-10.5-B



100%
MADE IN USA



ZEV CORE ELITE Rifles are intended for serious shooters and represent the commitment to design, feel, performance that ZEV is known for.

This rifle features the high quality and aesthetics of ZEV rifle products with a combination of traditional mil-spec controls and functional upgrades that deliver excellent performance in the field or on the range.

Features:

- ZEV forged upper and lower receivers precision machined from 7075-T6 aluminum for strength and light weight, finished in true black type III class 2 hard coat anodize.
- ZEV Wedge Lock hand guard provides a full length continuous top rail with M-LOK mounting system. The integrated anti-rotation pin ensures a consistently aligned and continuous top rail with the upper receiver.
- ZEV custom 416R 16" fluted match barrel with bronze PVD coating, chambered in 5.56 NATO with a 1:7 twist and mid-length gas system. Capable of consistent sub-MOA accuracy with high quality factory ammunition.
- Low profile fixed gas block.
- H3 carbine buffer increases dwell time and reduces port pressure to ensure reliable extraction and a smooth recoil impulse.
- SureFire WARCOMP closed tine flash hider to aid in recoil management and muzzle flash reduction. Serves as a mounting adapter for all SureFire SOCOM fast attach suppressors.
- Mil-spec chrome lined BCG with a manganese phosphate finish for improved lubricity and corrosion resistance.
- ZEV exclusive sniper grey flat face AR Gold trigger from ATC features a 2.5lb pull with a short reset and clean break that is second to none.
- Radian Weapons Talon ambidextrous safety selector.
- ZEV Slide Lock charging handle permits ambidextrous manipulation with an extended and textured latch for superior grip and ergonomics.
- Completed with Magpul furniture and one PMAG magazine.
- Rifle Weight – 6.67 lbs, 32.5" overall length with stock collapsed.

SKU
AR15-CE-556-16-B



100%
MADE IN USA



The ZEV Technologies AR15 Billet Receiver Set was designed to complement the enhanced features of the ZEV rifle product line while retaining compatibility with most mil-spec accessories to give you the most options for completing your build.

All receivers are precision-machined from solid billet aluminum and are held to extremely tight tolerances and high quality standards to ensure consistent fit and function. With its ambidextrous features, light weight, and superior finish, the ZEV Billet Receiver Set is the perfect foundation for any rifle build.

ZEV Billet Receiver Set features:

- Machined from American-made 7075-T651 billet aluminum
- True black Type III Class 2 hard coat anodize
- M4 feed ramps cut standard
- Integrated and enlarged trigger guard
- Generous flare-cut magazine well to facilitate quick magazine insertion
- Ambidextrous bolt release
- Ambidextrous magazine release
- Threaded bolt catch for ease of assembly and disassembly compared to traditional roll pins
- Enhanced charging handle latch locking point prevents wear to the upper receiver
- Compatible for use with the unique ZEV Slide Lock ambidextrous charging handle (sold separately)
- Compatible with the ZEV Wedge Lock hand guard integral anti-rotation pin for consistent alignment of the top rail (sold separately)
- All proprietary components are included

MODEL	WEIGHT	SKU
AR15 BILLET SET	17.3 oz.	REC.SET-556-BIL



The ZEV Technologies Large Frame Billet Receiver Set was designed to complement the enhanced features of the ZEV rifle product line while retaining compatibility with SR25/DPMS pattern accessories to give you the most options for completing your build.

All receivers are precision-machined from solid billet aluminum and are held to extremely tight tolerances and high quality standards to ensure consistent fit and function. With its ambidextrous features, light weight, and superior finish, the ZEV Billet Receiver Set is the perfect foundation for any rifle build.

ZEV Billet Receiver Set features:

- Machined from American-made 7075-T651 billet aluminum
- True black Type III Class 2 hard coat anodize
- Integrated and enlarged trigger guard
- Generous flare-cut magazine well to facilitate quick magazine insertion
- Ambidextrous bolt release
- Ambidextrous magazine release
- Threaded bolt catch for ease of assembly and disassembly compared to traditional roll pins
- Enhanced charging handle latch locking point prevents wear to the upper receiver
- Compatible for use with the unique ZEV Slide Lock ambidextrous charging handle (sold separately)
- Compatible with the ZEV Wedge Lock hand guard integral anti-rotation pin for consistent alignment of the top rail (sold separately)
- Ejection port cover comes pre-installed
- All proprietary components are included

MODEL	WEIGHT	SKU
LF BILLET SET	21.5 oz.	REC.SET-308-BIL



The ZEV Technologies Forged AR-15 Lower Receiver comes stripped and ready for your next custom AR build. ZEV starts with high-quality 7075 T6 aluminum forgings and final machines them to better than mil-spec dimensions held to $\pm .001"$ tolerances, giving you maximum compatibility with mil-spec and aftermarket parts and accessories.

The ZEV Technologies Forged AR-15 Lower Receiver offers superb strength and versatility for building an AR-15 configured exactly the way you want it.

ZEV Forged Lower Receiver features:

- Machined from Forged American Made 7075-T651 aluminum
- Machined with BETTER than Mil-Spec requirements, with critical tooling dimensions held within $\pm .001"$
- True Black Class 2 Type 3 Hard coat anodize
- Features the original "GATOR GRIP" texture on the front of the mag strap for added grip
- Generous flare cut to the magazine well for quick magazine changes
- Nylon tipped tension screw for adjusting fitment to various uppers

MODEL	WEIGHT	SKU
ZEV FORGED LOWER	7.2 oz.	LR-556-FOR



The ZEV Technologies Forged AR-15 Upper Receiver comes stripped and ready for your next custom AR build. ZEV starts with high-quality 7075 T6 aluminum forgings and final machines them to better than mil-spec dimensions held to $\pm .001"$ tolerances, giving you maximum compatibility with mil-spec and aftermarket parts and accessories.

The ZEV Technologies Forged AR-15 Upper Receiver offers superb strength and versatility for building an AR-15 configured exactly the way you want it.

ZEV Forged Upper Receiver features:

- Machined from Forged American Made 7075-T651 aluminum
- Machined with BETTER than Mil-Spec requirements, with critical tooling dimensions held within $\pm .001"$
- True Black Class 2 Type 3 Hard coat anodize
- Compatible with all Mil-Spec parts kits
- M4 feed ramps cut standard

MODEL	WEIGHT	SKU
ZEV FORGED UPPER	7.2 oz.	UR-556-FOR



The most technologically advanced hand guard on the market today. The ZEV Technologies Wedge Lock Hand Guard attaches to the receiver via an innovative system built around a two-piece Wedge Lock system that tightens down securely with only one screw.

Machined from aircraft grade aluminum to keep the wall thickness thin, but still strong enough for any environment.

The narrow cross-section of the hand guard provides for an excellent ergonomic grip while the M-LOK negative space mounting system provides a smooth, hand-friendly surface in place of Picatinny rails.

ZEV Wedge Lock hand guard features:

- Black type III hard anodized aluminum hand guard
- Black Nitride coated wedge system
- One piece free float design with continuous top rail
- Compatible with all mil-spec upper receivers
- Compatible with low profile gas bocks
- Integral anti-rotation pin compatible with ZEV billet upper ensures consistent alignment of the top rail
- M-LOK compatible accessory mounting points for user customization
- Internal diameter of 1.225"

NOTE: The ZEV Wedge Lock is not designed for a suppressor to be mounted under the hand guard.

US PATENT 9,335,117

Includes:

- Wedge System
- Stainless Steel Barrel Nut
- Assembly Tools



MODEL LENGTH	SKU
7"	HG-556-WEDGE-7
9.25"	HG-556-WEDGE-9
12.625"	HG-556-WEDGE-12
14.625"	HG-556-WEDGE-14
16.625"	HG-556-WEDGE-16



7" Shown



9.25" Shown



12.625" Shown



14.625" Shown



16.625" Shown



The most technologically advanced hand guard on the market today. The ZEV Technologies Wedge Lock Hand Guard attaches to the receiver via an innovative system built around a lightweight Titanium barrel nut (included) and the two-piece Wedge Lock system that tightens down securely with only one screw.

Machined from aircraft grade aluminum to keep the wall thickness thin, but still strong enough for any environment.

The narrow cross-section of the hand guard provides for an excellent ergonomic grip while the M-LOK negative space mounting system provides a smooth, hand-friendly surface in place of Picatinny rails.

ZEV Wedge Lock hand guard features:

- Black type III hard anodized aluminum hand guard
- Black Nitride coated wedge system
- One piece free float design with continuous top rail
- Compatible with KAC/DPMS high profile upper receivers
- Compatible with low profile gas bocks
- Integral anti-rotation pin compatible with ZEV billet upper ensures consistent alignment of the top rail
- Titanium barrel nut reduces weight and aids in heat dissipation
- M-LOK compatible accessory mounting points for user customization
- Internal diameter of 1.325"

US PATENT 9,335,117

Includes:

- Wedge System
- Titanium Barrel Nut
- Assembly Tools



MODEL LENGTH	SKU
12.625"	HG-308-WEDGE-12
14.625"	HG-308-WEDGE-14
16.625"	HG-308-WEDGE-16



12.625" Shown



14.625" Shown



16.625" Shown



The ZEV Technologies Slide Lock Charging Handle is a unique design that features smooth ambidextrous operation with fewer moving parts than any other charging handle on the market. Machined from a single piece of 7075-T6 billet aluminum for strength and durability.

Features:

- Fully ambidextrous
- Extended and textured handle for superior grip and ergonomics
- Machined from American-made 7075-T6 billet aluminum
- True black Type III Class 2 hard coat anodize
- Black nitride steel capture latch

NOTE:

Designed exclusively for use with ZEV billet upper receivers, not recommended for use with forged upper receivers.

MODEL	WEIGHT	SKU
AR-15 CHARGING HANDLE	1.3 oz.	CH-556-AMB
LARGE FRAME CHARGING HANDLE	1.4 oz.	CH-308-AMB



Does not require a latch to be pulled to release charging handle.

