



OWNER'S MANUAL

20 GAUGE AUTOLOADING SHOTGUN

IMPORTANT "SAFETY WARNINGS" — NOTE THE SYMBOL



THESE SAFETY WARNINGS ARE FOR YOUR PROTECTION AS WELL AS THE SAFETY OF OTHERS. DISREGARDING INFORMATION IN THIS MANUAL MAY RESULT IN SERIOUS INJURY OR DEATH.



Be certain this owner's manual is available for reference and is kept with this firearm if transferred to another party. If this manual is lost or misplaced, contact the Product Service Center for a free replacement copy or visit www.mossberg.com.



After performing any work on your firearm such as cleaning, adjustments, disassembly or installation of any accessory, the firearm should be rechecked for proper functioning before firing live ammunition.



Firearms are complex mechanisms. Any modification, alteration, or improper fitting of parts may result in a dangerous malfunction, damage to the firearm, and could cause serious injury or death to you or those around you. The firearm's owner must accept full responsibility for the correct reassembly and functioning of the firearm after any disassembly or replacement of parts.



If you do not understand any of the material in this manual or have any questions, contact the Product Service Center or a qualified gunsmith.



Do not attempt to load, handle or use your firearm until you read and understand the information contained in this owner's manual. Before handling your firearm, you should learn how it operates and how to maintain it. This includes knowing its basic parts, how the manual safety and other safety features operate, how to safely open and close the action and how to safely load and unload ammunition from the firearm. Improper use and handling is dangerous and could cause serious injury or death to you or those around you. All users of the firearm must become thoroughly familiar with the instructions in this manual.

distributed by

MOSSBERG INTERNATIONAL, INC.

P.O. BOX 497 • 7 GRASSO AVENUE, NORTH HAVEN, CT 06473

PHONE (800) 363-3555

www.mossberg.com

Safety and safe firearms handling is everyone's responsibility.



As the owner of a firearm, you must undertake the full-time responsibility of safe firearms handling for your own safety and the safety of those around you:

- Keep all firearms and ammunition out of the reach of children.
- Store your firearms and ammunition separately.
- Never store a loaded firearm.
- Never leave a loaded firearm unattended.
- Never transport a loaded firearm in a vehicle.
- Unload your firearm when you have stopped shooting and when you have to climb a tree, fence, cross a slippery surface or have to transport it in a vehicle.
- Do not load your firearm before you are in a place where it is safe to shoot, and keep your finger off the trigger until you are on target and have decided to fire.
- Never shoot at water, rocks or any hard surfaces. Shots may glance off such surfaces and cause injuries.
- Do not use alcohol or drugs before or while handling firearms.
- Do not touch the trigger while the safety button is being engaged or disengaged.



Always point the muzzle of your firearm in a safe direction, regardless of whether the firearm is loaded or unloaded.



Always treat every firearm as if it were loaded. Give your firearm to someone with the action open (bolt fully rearward) and safety in the “ON” (SAFE) position, after you verify the firearm is unloaded. Insist on the same procedure when receiving a firearm from someone else. Learn the location of all the safety features of your firearm and how they operate.



Wear eye and ear protection when shooting. Shooting without proper ear protection can cause hearing damage. The use of eye protection during any type of shooting is important to protect your eyesight.



Due to the heavy recoil of a shotgun, maintain an adequate distance between the rear of the scope (if equipped) and your face at all times. Be certain the scope installation does not interfere with access to, or the proper functioning of the safety.



WE SPECIFICALLY DISCLAIM ANY RESPONSIBILITY FOR DAMAGE OR INJURY WHATSOEVER OCCURRING IN CONNECTION WITH, OR AS A RESULT OF, THE USE OF FAULTY, OR NON-SAAMI STANDARD OR “REMANUFACTURED,” OR HAND-LOADED (RELOADED) AMMUNITION. ADDITIONALLY, WE DISCLAIM ANY RESPONSIBILITY FOR DAMAGE OR INJURY WHICH RESULTS FROM ANY MODIFICATIONS OR CHANGES THAT ARE NOT A PART OF THE FIREARM AS DELIVERED FROM THE FACTORY.



Learn to clean your firearm thoroughly and make certain no oil, grease, or other materials are blocking the barrel. Obstructions of any kind can cause damage to the firearm, and may result in serious personal injury to the shooter and/or others nearby.



Practice proper firearm maintenance and safety. Make sure all exposed metal surfaces are coated with a thin film of oil, especially after exposure to damp weather. (See proper section of this manual for cleaning instructions). Do not plug barrel or store in a fabric-lined case which will absorb lubricants from the firearm. Before using after storage, follow complete instructions stated in this manual for familiarization with the firearm. A thorough inspection and function test should be performed before going into the field. Have your firearm periodically checked by a qualified gunsmith.

A note about the warnings and information contained in this Manual:

We strongly suggest that you check with your local licensed retailer or state police for additional information concerning firearms ownership, or hunting or target shooting rules that may be required by local law or regulation. Since such rules and regulations are subject to change, local authorities are in the best position to advise you on such matters.

TABLE OF CONTENTS

	Page
The Mechanical Safety.....	4
Ammunition Specifications	5
Unpacking and Assembling Shotgun	6
Magazine Capacity.....	7
Magazine Plug.....	7
Removing the Magazine Plug	7
Loading	9
Load Magazine.....	10
Firing The Shotgun.....	11
Unloading	12
Disassembly	13
Assembly.....	15
Removing and Reinstalling Choke Tubes	16
Choke Tubes Information.....	17
Cleaning and Lubrication	18
Stock Spacer System	20
Service Instructions.....	21
Warranty Information.....	22
Function Testing	23
Notes	24-25
Part List	26
Exploded View	27
The Basic Rules of Safe Firearms Handling	Back Cover



WARNING: This product can expose you to chemicals, including lead, which are known to the State of California to cause cancer and birth defects or other reproductive harm. For more information go to www.P65Warnings.ca.gov.

OPERATING INSTRUCTIONS

MECHANICAL SAFETY



Read and understand this entire manual and its safety warnings before handling the firearm.

The safety button is located at the rear of the trigger guard (See Figure 1a and 1b) and must be manually moved to the desired position by the shooter.

To put the safety in the “ON” (SAFE) position, the safety button must be pushed from the left side (side opposite the ejection port) so that it moves all the way to the right. The button must always be pushed fully to the right until it moves no further to be in the “ON” (SAFE) position. (See Figure 1a).



The safety button is designed to function only as described above and should not be reversed. Do not attempt to remove or reverse the safety button. Doing so will result in an unsafe condition which can cause serious injury or death.



Remember, a firearm’s manual safety is a mechanical device which can never replace safe firearm handling practices.



Never rely on any mechanical mechanism or safety device to prevent the dangers of careless handling or pointing a firearm in an unsafe direction.



PUSH IN FULLY TO THE RIGHT UNTIL THE BUTTON MOVES NO FURTHER TO BE IN THE “ON” (SAFE) POSITION.

Figure 1a
ON (SAFE) position



PUSH IN FULLY TO THE LEFT UNTIL BUTTON MOVES NO FURTHER TO BE IN THE “OFF” (FIRE) POSITION.

Figure 1b
OFF (FIRE) position

AMMUNITION

USE ONLY SUITABLE AMMUNITION

This 20 gauge semi-automatic shotgun is chambered for 3 inch magnum shells. It is designed to be used with factory loaded shot shells between 2 3/4" (15/16 oz) and 3" (1 1/4 oz).

Use of re-loaded ammunition voids the One Year Factory Warranty.



Never shoot slugs with a full choke. Use only the most open (improved cylinder) choke when shooting slugs.



Never use shotshells with a case longer than the chamber, as this can cause damage to the firearm and may result in serious personal injury to the shooter and/or others nearby.



Never shoot steel shot with a full choke. Use only a modified, improved cylinder or skeet choke tubes when shooting steel shot.

UNPACKING AND ASSEMBLING SHOTGUN

When shipped from the factory, the barrel is removed and packed separately in the shipping carton. Before installing the barrel, visually and physically inspect the barrel and receiver to ensure they are free of any excess oil, grease, or any obstructions. Obstructions of any kind can cause damage to the firearm and may result in serious personal injury to the shooter and/or others nearby.

MOUNTING THE BARREL TO THE RECEIVER

Remove the forearm by unscrewing the magazine cap (counter clockwise). Slide the forearm off the magazine tube. Check that the gas piston is correctly assembled in the gas cylinder portion of the barrel before mounting the barrel to the receiver. Note the orientation of the gas piston (See Figure 2b). Mount the barrel to the receiver by sliding the barrel into the receiver, with the gas cylinder portion of the barrel on the magazine tube (See Figure 2a). Pull the operating handle half way back to fully seat the barrel in the receiver (See Figure 2c).



Figure 2a

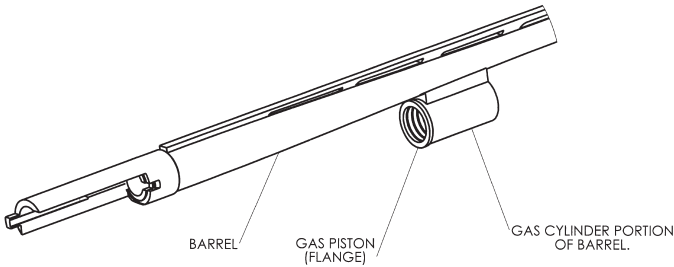


Figure 2b



Figure 2c

MOUNTING THE FOREARM

Pull back the operating handle. The action should stay open. Mount the forearm by carefully sliding it over the magazine tube, and seating it into the receiver. (See Figure 3). Screw the magazine cap onto the front of the magazine tube, finger-tight.



Figure 3

MAGAZINE CAPACITY

Five (5) 2-3/4" 20 gauge shotshells, Four (4) 3" 20 gauge shotshells (plus one in chamber).

MAGAZINE PLUG

You are responsible for complying with all laws regarding magazine capacity. Your Autoloading Shotgun is supplied with a plastic plug inserted in the magazine tube. It reduces the capacity of the magazine tube to two (2) shells.

REMOVING THE MAGAZINE PLUG



Move the safety button so it is fully protruding out of the right side of the trigger guard and cannot be moved any further indicating the "ON" (SAFE) position. Pull back the operating handle. The action should stay opened. Visually and physically check the chamber, elevator and magazine tube to be certain the shotgun is unloaded before removing the magazine cap.

Unscrew and remove the magazine cap. Using small pliers, grasp the cap on the magazine plug retainer. Push down and rotate up as shown in Fig. 4, lifting the retainer from the magazine tube. Pull out the plug as shown in Fig. 5a. Replace the magazine cap finger tight. When not in use, store the magazine plug and retainer.



Figure 4



Figure 5a

INSTALLING THE MAGAZINE PLUG



Move the safety button so it is fully protruding out of the right side of the trigger guard and cannot be moved any further indicating the “ON” (SAFE) position. Pull back the operating handle. The action should stay opened. Visually and physically check the chamber, elevator, and magazine tube to be certain the shotgun is unloaded before installing the magazine plug.

Unscrew and remove the magazine cap. Insert the magazine plug into the end of the magazine tube as shown in Fig 5a. To install the magazine plug retainer, push one end into the magazine tube as shown in Fig 5b. Continue to push down and rotate the retainer into position. After the magazine plug retainer is inserted into the magazine tube, make sure it is sitting flat on the end of the magazine plug to capture it in the magazine tube. Press down and release a couple of times to ensure it is seated correctly. Replace the magazine cap, finger tight only.



Figure 5b

LOADING



Before loading, move the safety button fully to the right so it is protruding from the right side of the trigger guard indicating the "ON" (SAFE) position.



During loading, never allow fingers or any objects to contact the trigger. Keep the muzzle pointed in a safe direction at all times.



Open the action by pulling the operating handle completely rearward until it locks in the open position (See Figure 6).



Inspect the chamber and bore of the barrel for any obstruction, excessive oil or grease. (The chamber is the rear portion of the barrel where cartridge will be inserted.) Obstructions of any kind may result in damage to the firearm and/or serious personal injury to you or those around you.



Do not load the shotgun until ready for use! Unload shotgun when shooting has been completed! The safety button should always be protruding fully from the right side of the trigger guard indicating the "ON" (SAFE) position whether the firearm is loaded or not.



Check to be certain that the ammunition selected is the same type of cartridge as designated on the right side of the barrel.



This shotgun is designed to fire 20 ga. shells ranging from 2-3/4" target and field loads to 20 ga. 3" magnum shells.

If you wish to load the firearm with the maximum number of shells or fire single shots, load the first shell through the ejection port located on the right side of the receiver (See Figure 6). The shell can be inserted directly into the chamber or placed on top of the elevator. Close the action by pressing the bolt release. Be sure to keep fingers and other objects out of the ejection port.

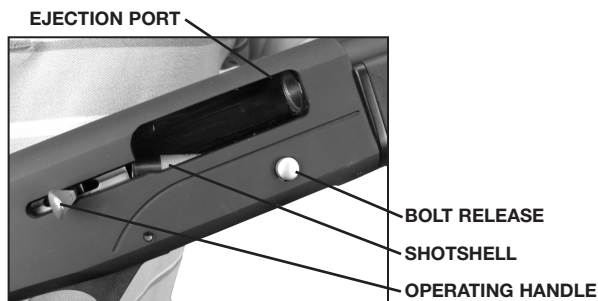


Figure 6



The shotgun is now loaded! The safety button (See Figure 1a) should be fully protruding from the right side of the trigger guard indicating the "ON" (SAFE) position until you are on target and have actually decided to fire. Keep the muzzle pointed in a safe direction at all times and your finger and any other objects away from the trigger area.

TO LOAD MAGAZINE — Keep the shotgun pointed in a safe direction. With the safety button fully protruding from the right side of the trigger guard indicating the “ON” (SAFE) position, and the bolt in the forward (closed) position, hold the shotgun with the bottom of the receiver facing upward as shown in Figure 7a.

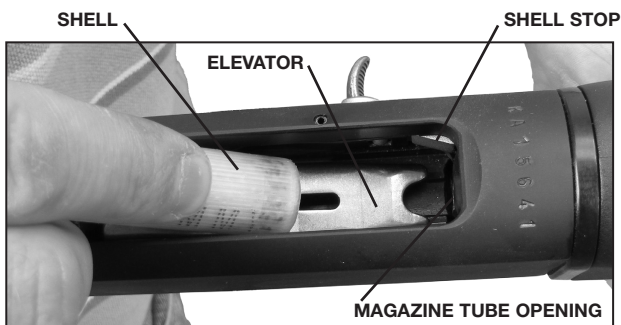


Figure 7a

Push the shotshell into the loading port, depressing the elevator as shown in Fig. 7a. Depressing the elevator will expose the magazine tube opening within the receiver.

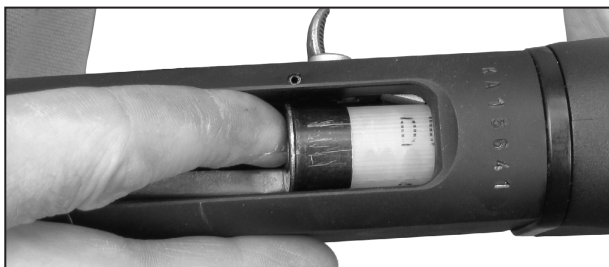


Figure 7b

Continue pushing the shotshell into the magazine tube (See Fig. 7b) until the rim of the shotshell is past the shell stop as shown in Fig. 7c. Repeat the above sequence to load each additional shotshell.



Figure 7c

FIRING



Use of this product, including discharging firearms in poorly ventilated areas, cleaning firearms, or handling ammunition can result in exposure to chemicals, including lead, which are known to the state of California to cause serious physical injury, including cancer, birth defects or other reproductive harm. For more information, go to www.P65Warnings.ca.gov.

Have adequate ventilation at all times and wash hands thoroughly after exposure.



During firing, the operating handle (See Figure 6) travels rearward with considerable force and speed. Do not place hands or other objects in its path.

TO FIRE

With the shotgun pointed in a safe direction and held in the proper firing position, move the safety button fully to the left of the trigger guard to the “OFF” (FIRE) position. Pulling trigger through its full travel to the rear will fire the shotgun. Ensure muzzle is pointed in a safe direction before placing finger on trigger.



After firing, the empty cartridge will be automatically ejected through the ejection port. Be sure all observers are clear of the path of ejection, as the empty cartridges are thrown out with considerable force and could cause injury.



This shotgun automatically feeds the next live round from the magazine tube into the chamber each time the shotgun is fired, until all rounds in the magazine tube are fired. You should be aware that no mechanical force on the part of the user is needed in this process and you should be alert to the fact that the chamber is loaded for you and the shotgun is capable of firing again if the trigger is pulled.



This shotgun is designed so that when all shells have been fired, the bolt will automatically lock rearward in the open position. You should never use this feature as a guide for determining if the shotgun is empty! Always visually and physically inspect the chamber, elevator, and magazine tube for the presence of ammunition.



Should any shell fail to fire, keep the shotgun pointed in a safe direction and move the safety button fully to the right of the trigger guard to the “ON” (SAFE) position. Wait a few moments and then remove the misfired shell and keep separate from other ammunition. Do not attempt to refire a misfired shell.



If at any time during firing, the sound of any shell is noticeably louder or softer than the previous shells fired, **STOP!** Do not load or fire additional shells until you have put the safety in the “ON” (SAFE) position and safely unloaded your shotgun. Inspect the shotgun for possible damage or obstructions in the chamber or bore. (The bore is the inside surface of the barrel.) Firing the shotgun with a bore obstruction can cause damage to the firearm and could result in serious personal injury to the shooter and/or others nearby.

TO UNLOAD



Position the safety button so it is fully protruding out the right side of the trigger guard indicating the “ON” (SAFE) position and keep the muzzle pointed in a safe direction at all times. At no time during unloading should you allow your fingers or any other object to touch the trigger.

First, remove the rounds from the magazine tube. With the safety button fully protruding out the right side of the trigger guard indicating the “ON” (SAFE) position, turn the shotgun so that the trigger guard is facing upward. Hold the elevator down and depress the shell stop (See Fig. 7c). This will release one shell from the magazine tube under spring pressure. To release any remaining shells, repeat this procedure until the magazine is completely empty.

With the magazine tube empty (all shotshells removed) rotate the gun to its normal position. Pull the operation handle fully rearward. This will eject the round in the chamber of the firearm and lock the action in the “OPEN” position (See Fig. 8).



Figure 8



Visually and physically check the chamber, elevator and magazine tube to be certain the shotgun is unloaded.

DISASSEMBLY



Position the safety button so it is protruding fully out the right side of the trigger guard indicating the “ON” (SAFE) position, and visually and physically check the chamber, elevator and magazine tube to be certain the shotgun is unloaded before disassembling the firearm. Wear eye protection during disassembly and cleaning.

REMOVING THE FOREARM

Visually and physically check the chamber and magazine to make sure the shotgun is unloaded. Pull the bolt operating handle back as far as it will go—it should stay locked back. Unscrew the magazine cap (counter clockwise) and remove it. (See Figure 9a). Slide the forearm toward the muzzle, and remove it. (See Figure 9b).



Figure 9a



Figure 9b

REMOVING THE BARREL

After removing the forearm, hold the bolt operating handle and press the bolt release button. Allow the bolt to slowly travel fully forward. With the bolt fully forward, pull the barrel out of the receiver with the gas piston assembled in the gas cylinder portion of the barrel (See Figure 10). **Note:** If the gas piston remains on the magazine tube after the barrel is removed slide the gas piston forward to remove it.



Figure 10

REMOVING THE BOLT

Slowly push and hold the action (bolt action slide and bolt assembly) back for about 1/3 of its travel (See Fig. 11a). Hold the action in this position and move the bolt to align the notch in the bolt with the raised protrusion on the operating handle (See Fig. 11b). With the bolt notch and the operating handle correctly aligned pull the operating handle straight out. Slowly allow the action to travel fully forward. Remove the bolt action slide and bolt assembly through the barrel hole in the receiver.



Figure 11a

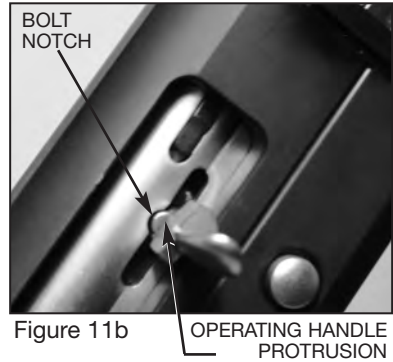


Figure 11b

REMOVING THE TRIGGER HOUSING ASSEMBLY

1. Push out the trigger housing retaining pin using a blunt object no larger than 1/8" diameter (See Figure 12). The pin can be pushed out from either direction.
2. Remove the trigger housing assembly by pushing the bolt release button and sliding the trigger housing assembly forward and down.

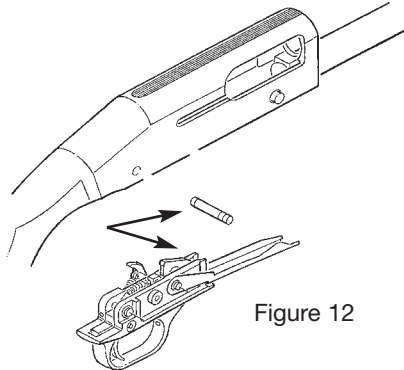


Figure 12

The trigger housing assembly is a complex assembly and must not be disassembled. Disassembly should only be performed at an authorized Product Service Center or by a qualified gunsmith.



Do not pull the trigger and allow the hammer to fall when the trigger housing assembly is removed from the receiver. To do so may result in personal injury or damage to the assembly.



Field disassembly is now complete. The shotgun should not be disassembled any further for routine cleaning or maintenance. Further disassembly should only be performed at an authorized Product Service Center or by a qualified gunsmith.

REINSTALLING THE BOLT

Assemble the bolt assembly onto the bolt action slide. Assemble the bolt action slide onto the magazine tube. Slowly push the bolt action slide into the receiver (see Figure 11a). Looking through the ejection port, align the notch in the slide with the notch in the bolt (see Figure 13). Align the operating handle raised protrusion with the notch in the bolt. Push the operating handle into the bolt assembly (see Figure 11b).



Figure 13

BARREL RE-ASSEMBLY

Assemble the barrel to the receiver as described in “UNPACKING AND ASSEMBLING SHOTGUN” under the section “MOUNTING THE BARREL TO THE RECEIVER”.

TRIGGER HOUSING ASSEMBLY RE-ASSEMBLY

1. Insert the trigger housing assembly by pressing the bolt release button while pushing the trigger housing assembly up and rearward (Figure 14).
2. Push in the trigger housing pin until it is flush with the sides of the receiver.

FOREARM RE-ASSEMBLY

Assemble the forearm to the receiver as described in “UNPACKING AND ASSEMBLING SHOTGUN” under the section “MOUNTING THE FOREARM.”

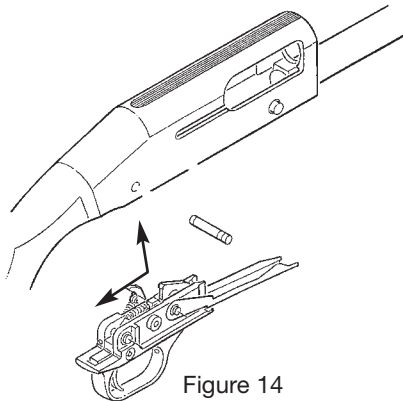


Figure 14

CHOKE TUBES



BEFORE REMOVING OR INSTALLING ANY CHOKE TUBE:

Move the safety button so it is protruding fully out the right side of the trigger guard indicating the “ON” (SAFE) position and keep muzzle pointed in a safe direction.

Open the action, visually and physically check chamber, elevator, and magazine tube to be certain firearm is unloaded.



Do not use bent or deformed choke tubes as these may result in tube or barrel damage upon firing which may cause serious personal injury to you or those around you. Inspect choke tubes periodically to insure they are properly installed and in good condition. Pay special attention to the threaded end of the choke tube to be certain it is not deformed or dented.



Never fire the shotgun without a choke tube properly installed. Failure to do so will damage the precision threads on the inside of the barrel. Firing the shotgun with loose choke tubes may lead to damage to the choke tube and barrel, as well as serious personal injury to you or those around you.

CARE AND CLEANING: The precision threads on your choke tube should be kept clean and lightly oiled at all times.

During cleaning of the barrel, be certain a choke tube is properly installed. This will avoid residue build-up on threads.

TO REMOVE CHOKE TUBE: Loosen with choke wrench provided, turning it counterclockwise (See Figure 15). When the choke tube is loosened, remove it completely with your fingers. Place choke tube on a clean, dry surface.

TO INSTALL CHOKE TUBE: Screw the tube clockwise into the barrel by hand and then tighten the tube until snug with the choke wrench (see Figure 16). These tubes fit completely inside the barrel when properly installed. Do not use excessive force when installing.



Choke tube tightness should be checked periodically.




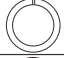
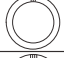
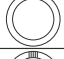

Figure 15



Figure 16

Lead, steel, and other non-toxic shot patterns will vary substantially depending on shell length, shot size, brand of ammunition, and the individual barrel. The shooter is urged to conduct pattern tests before field use.

CHOKE VALUES AND AREAS USED FOR SEMI-AUTOMATIC SHOTGUN

CHOKE VALUE	AREAS USED	SYMBOL	NO. NOTCHES
* FULL	For duck and goose hunting with 40-45 yard shots For long range hunting with lead shot and tight groups.		1
** IMPROVED MODIFIED	For hunting pheasant, ducks with 30-40 yard shots.		2
*** MODIFIED	For hunting woodcock, pheasant & quail with 30-35 yard shots Long range hunting with steel shot and tight groups.		3
**** IMPROVED CYLINDER	For quail, dove and target shooting. For shorter distance more open shooting		4
***** SKEET	For sporting clay and skeet shooting. Short distance, more open shooting.		5



Do not use choke values FULL, IMPROVED MODIFIED, and MODIFIED with slugs, single bullets or single projectiles. Do not use choke value FULL or IMPROVED MODIFIED with steel shot.

CLEANING AND LUBRICATION

With proper maintenance and care, your Mossberg International™ shotgun will provide you with years of dependable service. Your firearm should be inspected and cleaned periodically to ensure that it remains in good condition. Clean your firearm as soon as possible after use. This is especially important if your firearm has been exposed to moisture. For maximum performance and continued satisfaction with your shotgun, periodic cleaning and lubrication are essential.

Follow the instructions and equipment provided with a quality shotgun cleaning kit.



Always be sure that the safety button is fully to the right in the “ON” (SAFE) position (See Figure 1a) and that the shotgun is unloaded by visually and physically checking the chamber, elevator, and magazine tube before cleaning your shotgun. Wear eye protection during cleaning.

Normal use requires only that the mechanisms be free of excessive shooting residue. Very little lubrication other than a light oiling of internal and external surfaces to prevent rust is needed.

To ensure optimum performance, Mossberg International™ recommends thorough cleaning of your firearm after every 200 rounds. However, unusually dusty, dirty, or harsh weather conditions, or use of ammunition which leaves significant powder residue may require more frequent cleaning.

If the firearm is to be stored for a long period of time, it should be thoroughly cleaned and oiled. Do not plug the barrel or store in a fabric-lined case that will absorb lubricant from the firearm, as this may result in corrosion to the unprotected metal surfaces.

Over-lubrication should be avoided during below freezing conditions. Many lubricants thicken in low temperatures which could affect the operation of the firearm. Exposure to unfavorable weather or moisture from condensation requires additional care to prevent corrosion to the firearm.

BARREL CLEANING

Remove the gas piston from the gas cylinder portion of the barrel. Scrub the bore of the barrel, chamber and gas cylinder bore with solvent and follow with cleaning patches until barrel and gas cylinder bore are clean. Place a few drops of light oil in the gas cylinder bore (See Figure 17). A final pass with a lightly oiled patch in the bore of the barrel, and chamber will provide a protective coating. A stiff brass bristle brush is useful for removing stubborn deposits.



Be sure not to leave cleaning patches or excessive oil or grease in the bore of the barrel as this can create dangerous obstructions, resulting in damage to the firearm and/or serious personal injury to you or those around you.

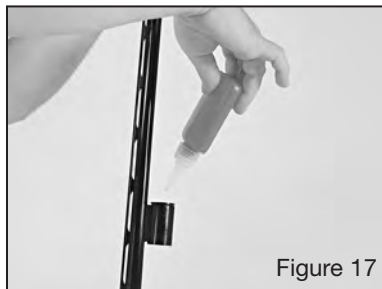


Figure 17

ACTION CLEANING

Clean all components of the action including the bolt assembly and bolt action slide to remove accumulated residue. An evaporating solvent should be used. Action parts will remain cleaner longer if lubrication is used sparingly.

RECEIVER CLEANING

Clean the inside of receiver with a rag or soft brush, giving special attention to the tracks which guide the bolt and slide. Place a few drops of light oil in these tracks when clean. Care should be taken when cleaning the exterior surfaces of the receiver to prevent cosmetic damage. Never use a brush with metal bristles, as this could remove the protective coating on the receiver.

TRIGGER HOUSING CLEANING

Brush loose residue from trigger housing with a soft bristle brush. Never use a brush with metal bristles, as this could remove the protective coating on the trigger housing.



Never pull the trigger while the trigger housing is removed from the receiver, as damage to the trigger housing or personal injury may result.

GAS SYSTEM CLEANING

The gas system includes the magazine tube, gas piston, piston ring, seal, and the gas action return spring (See exploded view). These parts should be thoroughly cleaned using solvent. A stiff brass bristle brush is useful for removing stubborn deposits.

Apply a light coat of gun oil to all metal parts and then wipe thoroughly with a dry cloth. Excess oil will accelerate the build up of carbon residue in the gas system and may have a negative effect on the shotguns performance.

STOCK SPACER SYSTEM

Included with this shotgun is a matching set of stock spacers. These spacers allow you to raise or lower the vertical position of the stock. Each spacer is marked with the amount of drop or rise they will provide.

Stock Spacer Installation (Figure 18)



Move the safety button so it is fully protruding out of the right side of the trigger guard and cannot be moved any further indicating the “ON” (SAFE) position. Pull back the operating handle. The action should stay opened. Visually and physically check the chamber, elevator, and magazine tube to be certain the shotgun is unloaded. Wear eye protection during disassembly.

1. Remove recoil pad (screws will remain in recoil pad).
2. Remove stock bolt using 1/2" socket wrench (Rotate counterclockwise).
3. Remove stock.
4. Place selected stock spacer on back of receiver, text side facing out. (Note clocking slot).
5. Reinstall stock.
6. Install stock bolt. Do not over-tighten.
7. Replace recoil pad. Do not over-tighten screw.

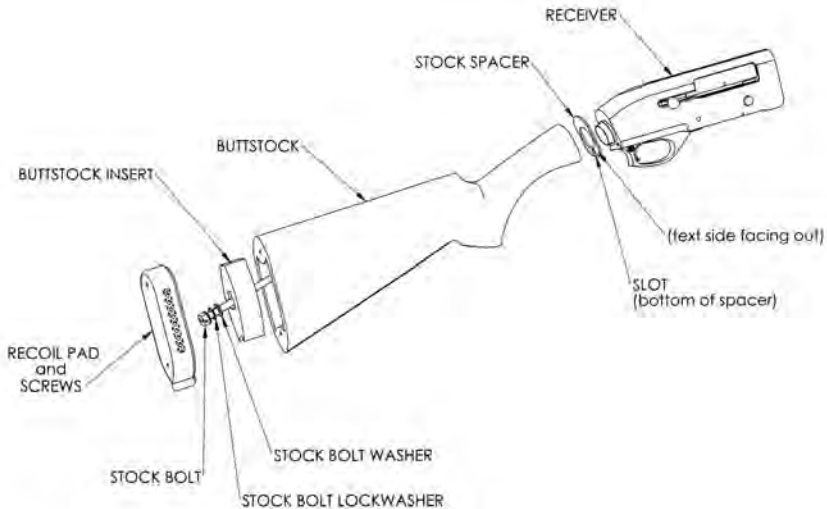


Figure 18



After performing any work on your firearm such as cleaning, disassembly, or installation of any accessory, check your firearm for proper functioning before firing any live ammunition.

SERVICE INSTRUCTIONS

Should your firearm or any component of your firearm require service, ship your entire firearm (please do not send components only), via your chosen carrier, postage paid (we do not accept C.O.D. shipments), following these instructions:

Repairs in the U.S.

For faster repair service, please start the process by filling out our Service Request Form online at <http://www.mossberg.com/service> prior to shipping your firearm.



- **Make absolutely certain your firearm is unloaded.**
- **Do not send ammunition with your firearm.**
- Remove all accessories from your firearm such as scopes, slings, scope mounts, etc.
- Ship your firearm in a suitable container, packaging it securely to prevent parts from shifting and/or damage during shipping.
- Include a note with a clear description of the service you wish us to perform, your complete return shipping address (no P.O. boxes please), your daytime telephone number and your e-mail address (if available).
- It is advisable to place your correspondence inside your shipping container when shipping.

SHIPPING ADDRESS

Mossberg Product Service Center
1001 Industrial Blvd.
Eagle Pass, TX 78852

If you have any service related questions, please contact the Product Service Center at (800) 363-3555 or service@mossberg.com

TO ORDER PARTS

To order parts from the Product Service Center, you can fax, phone, email, or mail your order to one of the below numbers/addresses.

Fax Number: (203) 230-5420
Phone Number: (800) 363-3555
E-mail Address: service@mossberg.com
Mailing Address: Mossberg Product Service Center
1001 Industrial Blvd.
Eagle Pass, TX 78852
Attn: Order Department

Please provide your name, address, city, state, zip, your daytime phone number and e-mail (if available). The Product Service Center will need the Model Number, Serial Number, Gauge/Caliber, Finish, Item Number, and Part Name. There is a \$7.50 (U.S.) minimum parts order charge. Most major credit cards, money orders, and bank drafts are accepted.

Service outside of the U.S.A.

For Mossberg firearm parts and service requirements outside of the United States, customers are requested to contact the closest Mossberg stocking dealer/distributor.

MOSSBERG INTERNATIONAL, INC. WARRANTY

20 GAUGE AUTOLOADING SHOTGUN

ONE (1) YEAR LIMITED WARRANTY

Limited Warranty: Mossberg International™, Inc. ("Mossberg") warrants to you, the original retail purchaser of a new Mossberg International™ Autoloading Shotgun (the "Mossberg firearm"), that the Mossberg firearm will be free of defects in material or manufacture for a period of one (1) year from the date of your purchase of the new Mossberg firearm (the "Warranty Period") in the United States or Canada. This is the only express warranty on the Mossberg firearm. MOSSBERG MAKES NO OTHER WARRANTIES OF ANY KIND OR CONDITIONS, INCLUDING, BUT NOT LIMITED TO ANY IMPLIED WARRANTY OF MERCHANTABILITY OR FITNESS FOR A PARTICULAR PURPOSE. This Limited Warranty gives you specific legal rights, and you may have other rights that vary from State to State.

Purchaser's Remedy: During the Warranty Period, Mossberg will, at its sole option, (1) repair the Mossberg firearm or any part thereof that, upon examination and testing by Mossberg, does not conform to the Limited Warranty without charge to you for parts or labor, or (2) replace the Mossberg firearm with a new or similar model. THIS REMEDY SHALL BE YOUR EXCLUSIVE AND SOLE REMEDY FOR ANY BREACH OF WARRANTY. MOSSBERG SHALL NOT BE RESPONSIBLE FOR ANY OTHER EXPENSES, LOSSES OR INCONVENIENCE THAT YOU MAY SUSTAIN AS A RESULT OF THE PURCHASE, USE, MALFUNCTION OR DEFECTIVE CONDITION OF THE MOSSBERG FIREARM. Mossberg reserves the right to inspect, examine and/or test the Mossberg firearm to assess any claim made under the Limited Warranty.

EXCLUSIONS: THIS WARRANTY DOES NOT COVER THE COSMETIC APPEARANCE OF THE MOSSBERG FIREARM OR ANY DAMAGE CAUSED BY:

- (1) NORMAL WEAR AND TEAR;
- (2) FAILURE TO PERFORM PROPER CARE AND MAINTENANCE;
- (3) ACCIDENTS, ABUSE OR NEGLIGENCE;
- (4) BARREL OR BORE OBSTRUCTIONS;
- (5) FAILURE TO FOLLOW THE INSTRUCTIONS AND WARNINGS THAT ACCOMPANY THE MOSSBERG FIREARM; OR
- (6) THE USE OF DEFECTIVE, NON-SAAMI STANDARD, REMANUFACTURED, HANDLOADED, AND/OR RELOADED AMMUNITION.

IN ADDITION, ANY UNAUTHORIZED REPAIRS, ALTERATIONS OR MODIFICATIONS TO THE MOSSBERG FIREARM WILL AUTOMATICALLY VOID THE LIMITED WARRANTY.

LIMITATION OF DAMAGES: EXCEPT WHERE PROHIBITED BY LAW, MOSSBERG WILL NOT BE LIABLE FOR ANY LOSS OR DAMAGE WHATSOEVER ARISING FROM THE USE OF THIS MOSSBERG FIREARM, WHETHER DIRECT, INDIRECT, SPECIAL, INCIDENTAL, CONSEQUENTIAL OR PUNITIVE, REGARDLESS OF THE LEGAL THEORY ASSERTED, INCLUDING CONTRACT, WARRANTY, NEGLIGENCE, OR STRICT LIABILITY. SOME JURISDICTIONS DO NOT ALLOW LIMITATIONS ON HOW LONG AN IMPLIED WARRANTY LASTS, OR THE EXCLUSION OF INCIDENTAL OR CONSEQUENTIAL DAMAGES, SO THE ABOVE LIMITATIONS MAY NOT APPLY TO YOU.

Warranty Service: To obtain service under this Limited Warranty, you must follow the instructions found in the "Service Instructions" section of the Owner's Manual and return the Mossberg firearm to the authorized Product Service Center. You are responsible for all shipping costs to the Product Service Center. Mossberg will not accept COD shipments of any Mossberg firearm for service. After repair or replacement, the Mossberg firearm or a similar model will be returned to you, return postage paid by Mossberg. If we replace the Mossberg firearm, we will keep the firearm that you returned to Mossberg.

Modification of Warranty: No agent, representative, distributor, or authorized dealer of Mossberg firearms has any authority to modify the terms or conditions of the Limited Warranty in any way. The Limited Warranty may only be modified in writing by an authorized officer of Mossberg.

THIS LIMITED WARRANTY IS EFFECTIVE JANUARY 1, 2007.

FUNCTION TESTING



After performing any work on your firearm such as cleaning, disassembly, or installation of any accessory, check your firearm for proper functioning before firing any live ammunition.



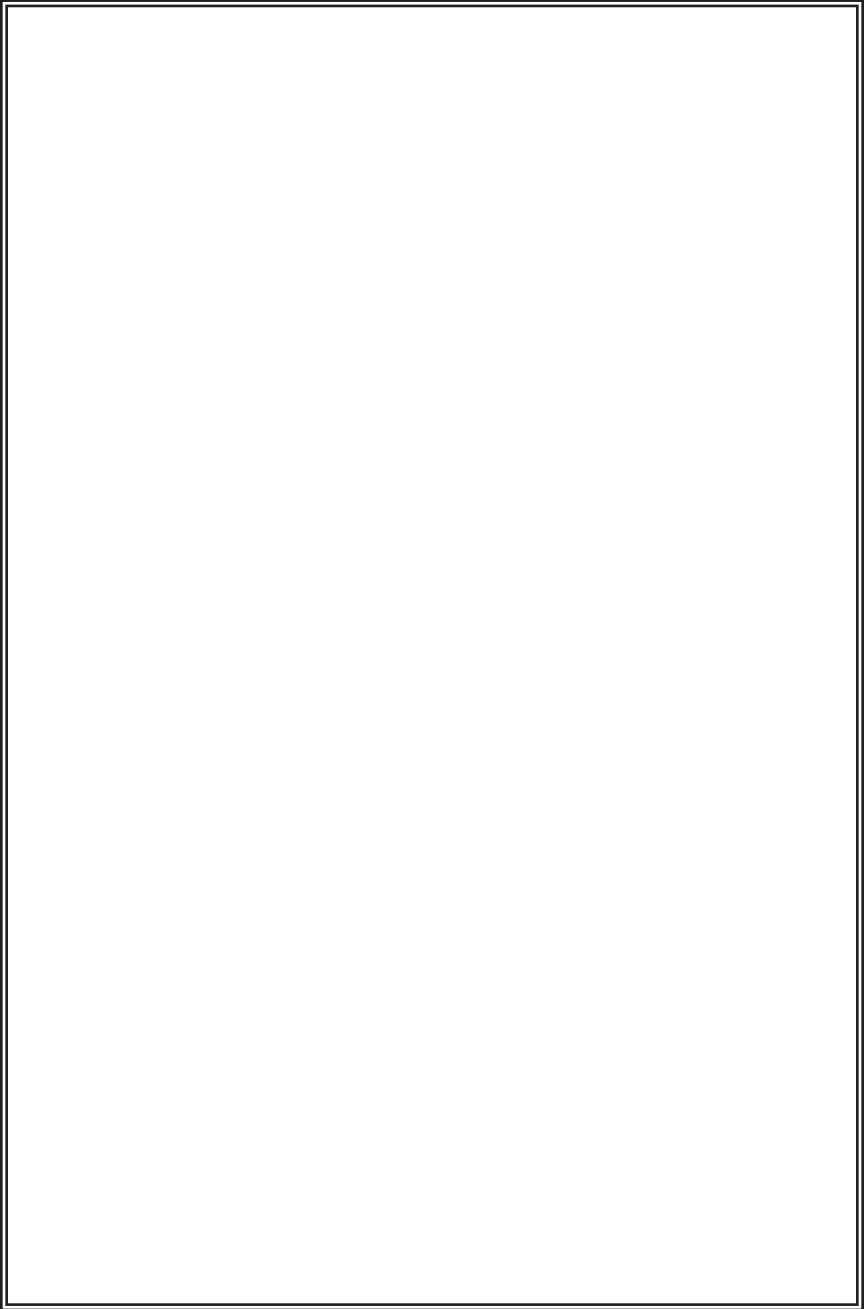
Be sure the firearm is completely unloaded by visually and physically checking the chamber, elevator, and magazine tube. Also make certain the firearm is pointed in a safe direction at all times.

1. Move the safety button fully to the right to the “ON” (SAFE) position.
2. Grasp the operating handle and pull the bolt fully rearward. It should lock in the open position.
3. With fingers and other objects clear of the ejection port, press the bolt release and allow the bolt to move forward under spring pressure. It should lock in the fully closed position. Repeat this procedure several times to check for free movement of the action assemblies.
4. With the action closed and the safety button fully to the right in the “ON” (SAFE) position, pull the trigger fully rearward. The hammer should not fall (NO FIRE).
5. Remove your finger from the trigger. Move the safety button to the left to the “OFF” (FIRE) position. The hammer should not fall (NO FIRE).
6. Leave the safety button in the “OFF” (FIRE) position.
7. Pull the trigger rearward. The hammer should fall (FIRE).
8. Open the action. Move the safety button to the right to the “ON” (SAFE) position.



IF YOUR FIREARM DOES NOT PERFORM AS DESCRIBED IN ANY OF THE ABOVE STEPS, CONTACT THE FACTORY AUTHORIZED PRODUCT SERVICE CENTER IMMEDIATELY. DO NOT ATTEMPT TO USE THE FIREARM.

NOTES



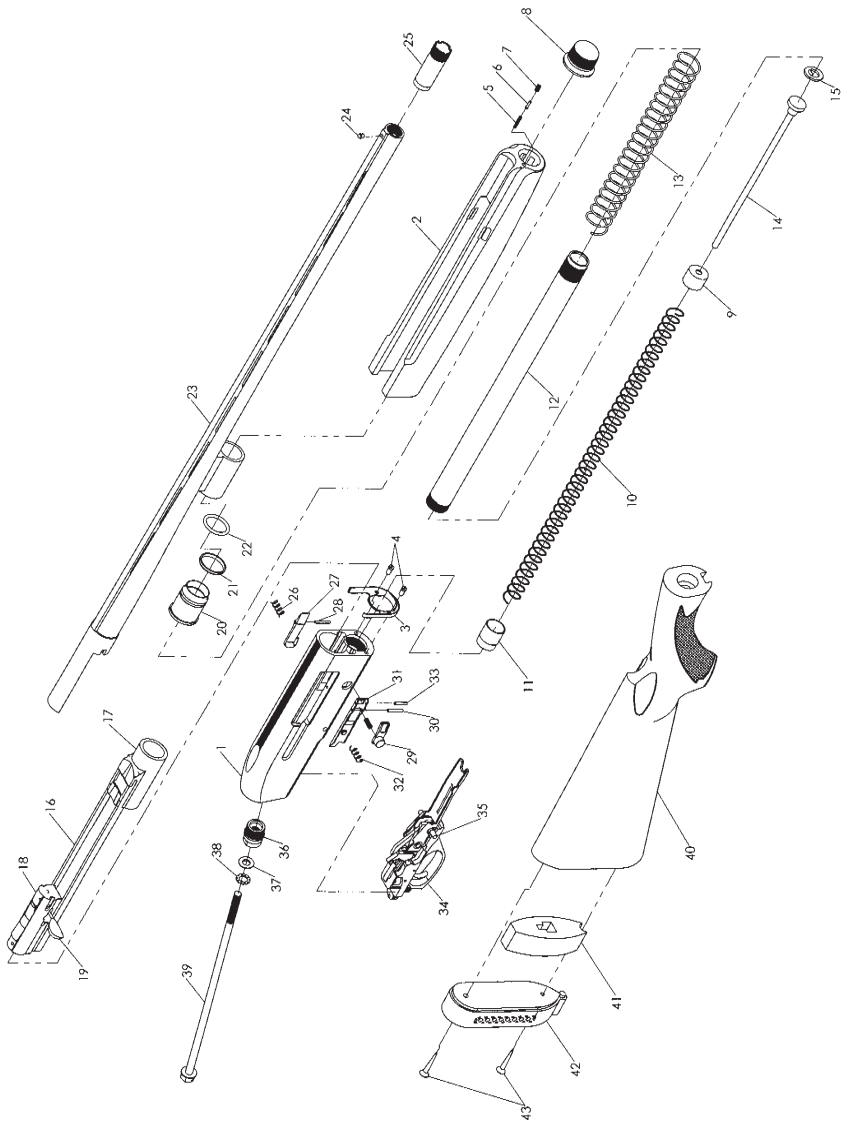
NOTES

A large, empty rectangular box with a double-line border, occupying most of the page. It is intended for the user to write notes.

MOSSBERG INTERNATIONAL™ 20 GAUGE AUTOLOADING SHOTGUN PARTS LIST

ITEM	DESCRIPTION	ITEM	DESCRIPTION
1*	RECEIVER ASSEMBLY	23	BARREL
2	FOREARM	24	FRONT SIGHT
3	FOREARM LATCH	25	CHOKE TUBE
4	FOREARM LATCH SCREW	26	SHELL STOP SPRING
5	MAGAZINE CAP LOCK SPRING	27	SHELL STOP
6	MAGAZINE CAP LOCK	28	SHELL STOP PIVOT PIN
7	MAGAZINE CAP LOCK SCREW	29	BOLT RELEASE BUTTON
8	MAGAZINE CAP	30	BOLT RELEASE PIVOT PIN
9	MAGAZINE SHORT SPRING CAP	31	CARRIER LATCH
10	MAGAZINE SPRING	32	CARRIER LATCH SPRING
11	MAGAZINE FOLLOWER	33	CARRIER LATCH PIVOT PIN
12	MAGAZINE TUBE	34*	TRIGGER HOUSING ASSEMBLY
13	ACTION SPRING	35	TRIGGER HOUSING PIN
14	MAGAZINE PLUG	36	THREADED STOCK BOLT INSERT
15	MAGAZINE PLUG BLOCKER	37	STOCK BOLT WASHER
16*	BOLT ACTION ARM	38	STOCK BOLT LOCKWASHER
17	ACTION ARM SLEEVE	39	STOCK BOLT
18*	BOLT ASSEMBLY	40	BUTTSTOCK
19	OPERATOR HANDLE	41	BUTTSTOCK INSERT
20	GAS PISTON	42	RECOIL PAD
21	PISTON RING	43	RECOIL PAD SCREW
22	SEAL		

*Items on parts list are reserved for qualified gunsmiths or authorized Product Service Center only.



FIREARMS SAFETY DEPENDS ON YOU. MAKE NO MISTAKE ABOUT IT!

From the time an individual picks up a firearm, that individual shooter becomes a part of a system over which he or she has complete control. He or she is the only part of the system that can make a gun safe – or unsafe. Hunting and target shooting are among the safest of all sports. This booklet is intended to make them even safer – by re-emphasizing and reaffirming the basics of safe gun handling and storage and by reminding each individual shooter that he or she is the key to firearms safety. You can help meet this responsibility by enrolling in hunter safety or shooting safety courses. You must constantly stress safety when handling firearms, especially to children and non-shooters. Newcomers in particular must be closely supervised when handling firearms with which they may not be acquainted. Don't be timid when it comes to gun safety. If you observe anyone violating any safety precautions, you have an obligation to suggest safer handling practices, such as those in this booklet. Please read these rules carefully and follow the safety procedures outlined. Firearms safety is up to you. Make no mistake about it.

- 1. ALWAYS KEEP THE MUZZLE POINTED IN A SAFE DIRECTION**
- 2. FIREARMS SHOULD BE UNLOADED WHEN NOT ACTUALLY IN USE**
- 3. DON'T RELY ON YOUR GUN'S "SAFETY"**
- 4. BE SURE OF YOUR TARGET AND WHAT'S BEYOND IT**
- 5. USE CORRECT AMMUNITION**
- 6. IF YOUR GUN FAILS TO FIRE WHEN THE TRIGGER IS PULLED, HANDLE WITH CARE**
- 7. ALWAYS WEAR EYE AND EAR PROTECTION WHEN SHOOTING**
- 8. BE SURE THE BARREL IS CLEAR OF OBSTRUCTIONS BEFORE SHOOTING**
- 9. DO NOT ALTER OR MODIFY YOUR GUN, AND HAVE GUNS SERVICED REGULARLY**
- 10. LEARN THE MECHANICAL AND HANDLING CHARACTERISTICS OF THE FIREARM YOU ARE USING**

*Courtesy of
Sporting Arms and Ammunition Manufacturers' Institute, Inc.*