

INSTRUCTION MANUAL
FOR



Single-Shot Carbine



NOTE: This model out of production
— For reference use only.

A COPY OF THE INSTRUCTION MANUAL FOR EACH MODEL RUGER FIREARM
IS AVAILABLE FROM THE FACTORY ON REQUEST.
THESE INSTRUCTION MANUALS CONTAIN IMPORTANT WARNINGS
WHICH SHOULD BE UNDERSTOOD BEFORE USING THESE FIREARMS.
THIS INSTRUCTION MANUAL SHOULD ALWAYS ACCOMPANY THIS FIREARM
AND BE TRANSFERRED WITH IT UPON CHANGE OF OWNERSHIP.

STURM, RUGER & Company, inc.
SOUTHPORT, CONNECTICUT 06490
U.S.A.

*RUGER FIREARMS ARE DESIGNED AND MANUFACTURED
IN RUGER FACTORIES IN THE UNITED STATES OF AMERICA.*

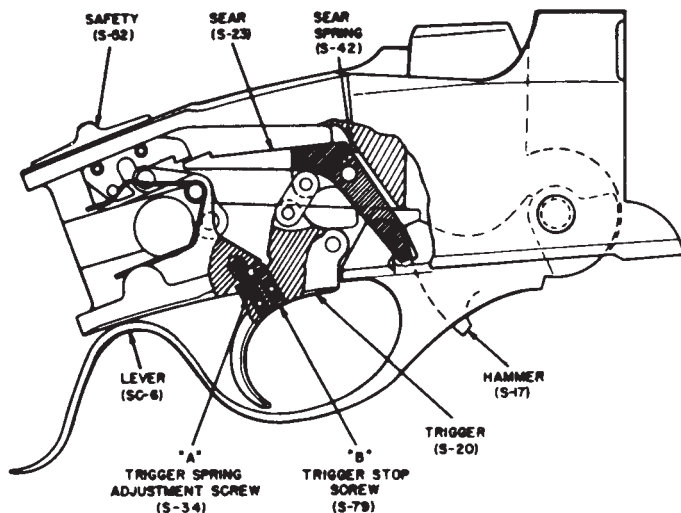


FIG. 1

LOADING AND EJECTION

Open the breech by lowering the lever. Insert the cartridge fully into the chamber. Raise the lever until the lever latch engages, closing and locking the breech. The operation of the lever opens and closes the breech, automatically ejects the fired shell, and cocks the hammer, which is concealed within the mechanism. The breech is fully in position and locked before the lever latch engages, however, firing or dry-firing the rifle with the lever latch unengaged is not recommended.

OPERATION OF SAFETY

The safety can be engaged only when the hammer is cocked. This rifle can be loaded and unloaded while the safety is on. The safety mechanism not only blocks movement of the sear, but also retracts the hammer.

When the hammer is cocked, it protrudes slightly from the lever as shown in figure 1. This serves as a cocking indicator that can be felt as well as seen.

When engaging the Safety (by sliding it to the rear), be sure that it is moved all the way to its extreme rearward position. There is an extra resistance to the Safety movement about half-way back and this should not be confused with the true Safety position. The word "Safety" should be clearly visible.

WARNING: the safety mechanism in your Ruger No. 3, and in all Ruger firearms, is correctly designed, fitted and tested. However, any mechanical device can fail. Never point your firearm at anything but a safe target and never rely upon the safety to justify careless handling.

AMMUNITION

WARNING: This firearm has been proof-tested with special test ammunition which conforms to American Industry Specifications. It is intended for use only with standard ammunition of the proper caliber which conforms to Industry Specifications. We specifically disclaim responsibility for any damage or injury whatsoever occurring in connection with the use in this firearm of faulty or non-standard or hand-loaded ammunition.

WARNING

Be certain that you have the correct caliber ammunition for your rifle, and that the chamber and bore are clear of any obstruction including grease or excessive oil.

WARNING

In using this, or any other center-fire rifle, it is important that the primer of every cartridge be seated flush with, or below, the surface of the shell base. There is a remote danger that a protruding primer could be discharged prematurely by the closing of the breech mechanism. Do not attempt to force the lever to close the breech over a cartridge of incorrect dimensions.

TRIGGER ADJUSTMENTS

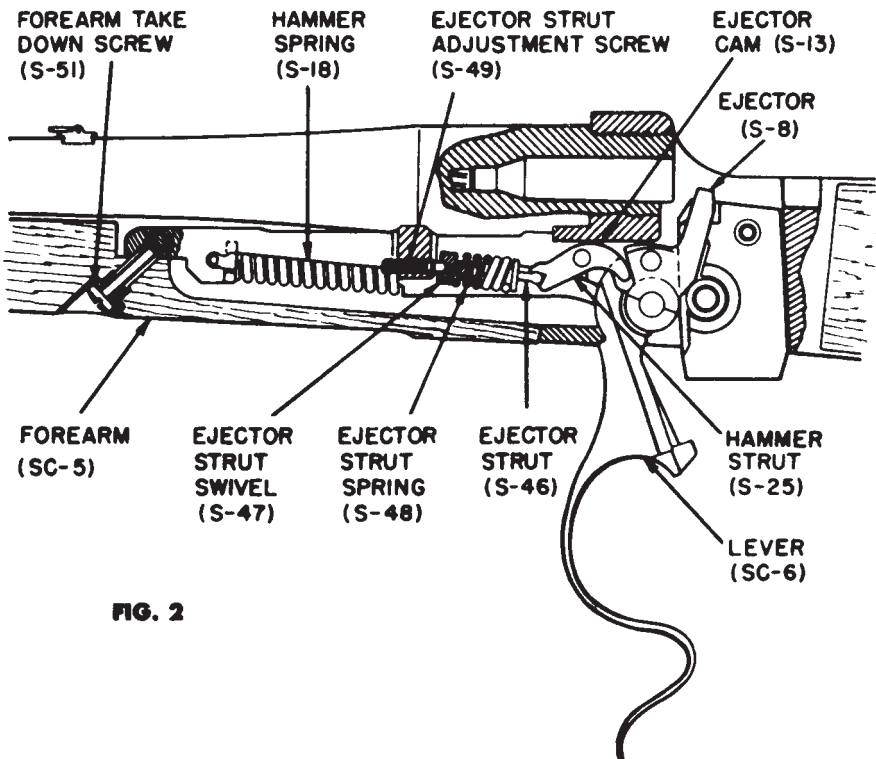
The sear is pre-set at the factory to provide a recommended minimum sear engagement with the hammer. The safety is fitted after the sear is adjusted. Accordingly, the sear should not be altered by the owner as this is intended only to be a factory adjustment.

The minimum weight of pull is established by the sear spring, S-42, and this spring should not be modified. The weight of pull can be increased beyond this minimum, if desired, by tightening the adjustment screw, A.

Trigger "over-travel" can be adjusted to a minimum by tightening the adjustment screw, B, until the sear will not release the hammer when the trigger is pulled, then backing off on the screw while maintaining a pull on the trigger until the hammer falls. This adjustment has been made at the factory, however, and further adjustment is not recommended **WARNING:** Back off another $\frac{1}{4}$ turn to insure clearance between hammer and sear as the hammer falls.

EXTRACTION AND EJECTION MECHANISM

In the event that snap-action automatic ejection is not desired, remove the forearm and back off on the ejector strut adjustment screw until the ejector spring unit can be removed (see figure 2). The ejector will then function as an extractor only, and the cartridge (or shell) will be partially removed from the chamber by the final downward motion of the lever. If the snap-action mechanism is replaced, do not over-tighten the adjustment screw because this will bind the action. The force of ejection can be altered to some extent by the adjustment screw.



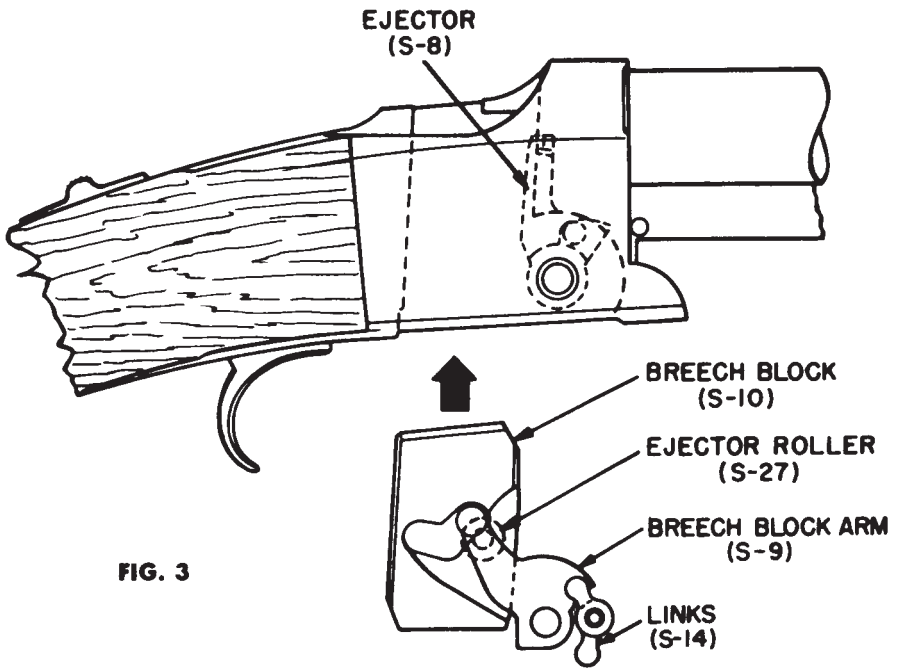


FIG. 3

SIGHTING

The Ruger No. 3 is equipped with a folding leaf rear sight which can be adjusted for windage and elevation.

DISASSEMBLY

1. Unload rifle.
2. Remove the forearm.
3. With hammer cocked, insert a slave pin through hole in hammer strut.
4. Pull trigger to release spring tension.
5. Remove the spring and strut as an assembly.
6. Lower the lever, remove lever pivot screw and lever pivot pin.
7. Remove hammer.
8. Raise lever to close breech, then lower lever about halfway and pull downward, removing the breech block, breech block arm and the linkage as a unit.
9. Remove the ejector, ejector plunger, and ejector plunger spring.

REASSEMBLY

1. Reassemble ejector, ejector plunger and spring in receiver.
2. Assemble breech block, breech block arm, ejector roller and linkage as shown in figure 3 and replace as a unit in receiver while holding the ejector against the inside receiver wall.
3. Position hammer in the lever and engage the lever and link as shown in figure 4.
4. Hold the ejector against the inside receiver wall and insert the lever into the receiver opening.

5. Move the lever to its closed position while depressing the trigger.
6. Replace pivot pin and retaining screw.
7. Replace hammer spring and strut assembly, cock the hammer and remove the slave pin.
8. Reassemble forearm.

CARE AND CLEANING

The mechanism should be lubricated with light machine oil or gun oil. Do not oil too heavily. As a rust prevention measure, all surfaces, including the bore of the barrel, should be wiped with oil after use. Do not flood the bore with oil.

A comprehensive field-cleaning of the mechanism is not required more than once a season or unless obviously necessary. The purpose of such cleaning is only to remove powder residue from internal components and as a rust prevention procedure in the event that the gun has been soaked or submerged in water. The barrel should always be cleaned after each use.

If sand or other foreign matter in any appreciable quantity enters the mechanism, the reliability of functioning will probably be impaired until the gun is dismantled and thoroughly cleaned.

Note: Always use a good quality screw driver which properly fits the screw slots to avoid unsightly disfigurement of the screw heads.

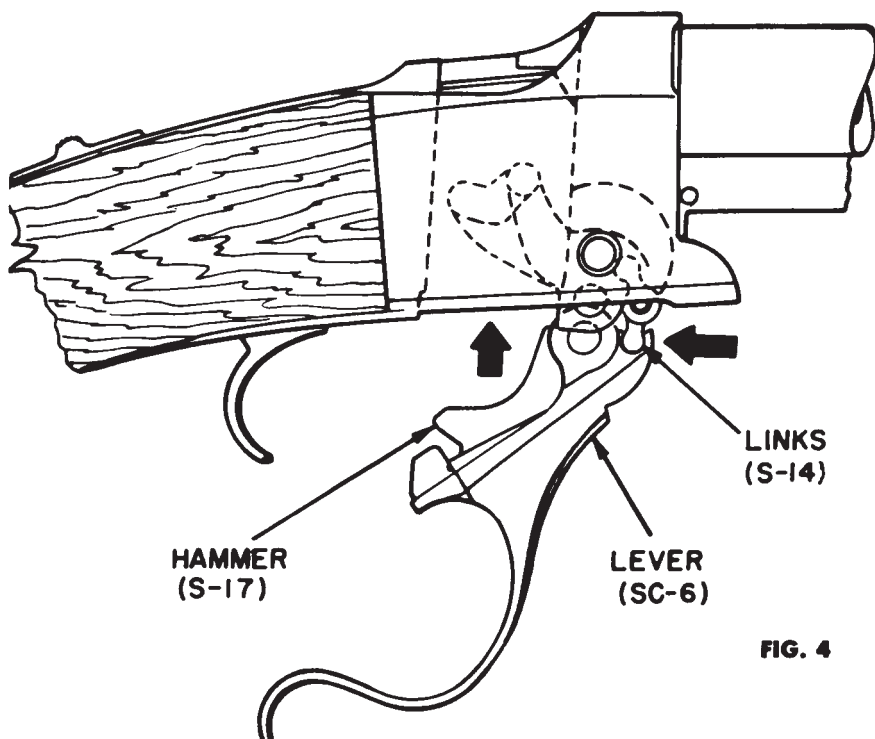


FIG. 4

SERVICE POLICY

Before shipment every Ruger firearm is carefully inspected and test-fired in order to prove that it is in perfect condition and conforms fully to our specifica-

tions and standards. If there is any question with regard to the performance of the rifle, please write to our Service Department, fully describing all circumstances and conditions involved.

If you should return your carbine for repair or order parts, please comply with the following suggestions for prompt service:

PARTS:

1. All parts orders should be sent to:
Sturm, Ruger & Co., Inc., Product Service Dept., Newport, New Hampshire 03775
2. Payment — in the form of a check or money order — must accompany the parts orders. We cannot comply with open account, credit card or COD requests. Minimum parts order is \$1.00. Please include \$1.50 for shipping and handling.
3. Order parts by both name and number.

FIREARMS:

1. Ruger No. 3 carbines returned for service should be sent to:
Sturm, Ruger & Co., Inc., Product Service Dept., Newport, New Hampshire 03773
Phone: (603) 863-3300.
2. Rifles shipped to factory should be sent prepaid. We will not accept collect shipments.
3. For best repair service, always enclose letter furnishing serial number and Model of rifle. Also, state nature of trouble experienced or of work desired. (Merely stating "defective" or "repair" is inadequate information.) Please enclose copies of any previous correspondence.
4. Work performed will bear a net minimum labor charge of \$10.00 plus \$5.00 shipping and handling. The charge for re-bluing is \$35.00 plus a \$5.00 shipping and handling charge.
5. Federal regulations must be complied with when shipping any firearm. In certain states and under certain regulations, it may be *impossible* for us to return a repaired firearm to an individual. It is therefore most strongly recommended that all firearms sent to us for repair, be sent through a federally licensed dealer!

WARNING

Check chamber before shipping firearm. If firearms are sent to us in a loaded condition, we must notify Federal authorities.

Please do NOT send to our factory your scope or rifle case with the firearm being sent to us for repair.

RETAIL PARTS LIST

<i>Part No.</i>	<i>Description</i>	<i>Price</i>
SC-3	*Barrel (Specify Caliber)	62.50
C-68	Barrel Band	4.25
C-69	Barrel Band Screw	.50
S-10	*Breech Block	23.25
S-9	*Breech Block Arm	4.75
C-63	Butt Plate	2.50
C-64	Butt Plate Screw (2 required)	(pair) .50
SC-4	Butt Stock	45.75
S-8	Ejector (Specify Caliber)	3.75
S-13	Ejector Cam	2.00
S-45	Ejector Cam Pivot Pin	.50
S-29	Ejector Plunger	.50
S-30	Ejector Plunger Spring	.50
S-27	Ejector Roller	.50

S-46	Ejector Strut	.75
S-49	Ejector Strut Adj. Screw	.50
S-48	Ejector Strut Spring	.50
S-47	Ejector Strut Swivel	.50
S-11	Firing Pin	.75
XR-48	Firing Pin Spring	1.00
SC-5	Forearm	31.75
S-50	Forearm Escutcheon	.50
SC-88	Forearm Takedown Nut	.50
S-51	Forearm Takedown Screw	.50
S-17	*Hammer	6.75
S-59	Hammer Spg. Ret. Washer	.50
S-25	Hammer Strut	1.00
S-15	Hammer Transfer Block	1.00
S-26	Hammer Transfer Block Pivot Pin	.50
SC-40	Latch Plunger	.75
SC-55	Latch Retaining Pin	.50
SC-41	Latch Plunger Spring	.50
SC-6	*Lever	29.25
S-14	Lever & Arm Link Assembly	3.50
S-43	Lever Pivot Pin	.75
S-44	Lever Pivot Screw	.50
S-18	Main Spring	.50
S-52	*Safety	4.25
S-16	Safety Arm	3.50
S-32	Safety Arm Pivot Pin	.50
S-22	Safety Bar	.50
S-58	Safety Bar Pivot Pin	.50
S-54	Safety Detent Spring	.50
S-39	Safety Detent Spring Pin	.50
S-31	Safety Ret. Pin (2 required)	(pair) .50
SC-24	Scope Mount Base, Front & Rear	22.40
S100R	Scope Rings (Low)	33.60
S100RH	Scope Rings (Medium)	33.60
S100RXH	Scope Rings (High)	33.60
S100RO	Scope Rings (Offset)	37.60
S-23	**Sear	5.50
S-60	**Sear Link	.50
S-80	**Sear Link Pin (2 required)	(pair) .50
C-16	Sear Pivot Pin	.50
S-42	Sear Spring	.50
B-75	Sight, Front	3.00
C-76	Sight, Rear	4.50
S-37	Stock Bolt	.50
S-38	Stock Bolt Washer	.50
SC-20	**Trigger	4.25
S-53	Trigger Adj. Spring	.50
C-16	Trigger Pivot Pin	.50
S-34	Trigger Spring Adj. Screw	.50
S-56	Trigger Stop Screw	.50

**Must be fitted at factory.*

***Available only as a unit, and must be factory fitted.*

**Specifications and prices subject to change at our discretion
without notice.**

RUGER[®] No. 3[™]

Single-Shot Carbine

