

VP SERIES

OPERATOR'S MANUAL



**Covers 9 mm & .40 S&W
(All VP and VP9SK Models)**

SAFETY RULES

Please read this operator's manual before handling your firearm. The following safety rules are placed in this manual by HK as an important reminder that firearm safety is your responsibility. Firearms can be dangerous and can potentially cause serious injury, damage to property or death, if handled improperly.

1. Never point a firearm at anyone or in any direction other than a SAFE direction, i.e. down range.
2. Treat all firearms as if they are always loaded.
3. Keep your finger off the trigger and outside of the trigger guard until your sights are aligned on the target and you are ready to fire.
4. Keep your finger off the trigger and outside of the trigger guard while loading or unloading the firearm.
5. Keep your finger off the trigger and outside of the trigger guard while pulling the firearm out of the holster or while returning it to the holster.
6. Be sure of your target and the backstop beyond.
7. Never give a firearm to or take a firearm from anyone unless the action is open and the magazine and/or chamber are free of any ammunition or brass.
8. Be sure that the ammunition you are using is factory loaded, is of the correct caliber for the firearm in which it is to be used, and that it is not damaged in any way.
9. Before firing, remove the magazine from the firearm, lock the action open, make sure the chamber is clear of any ammunition or brass, and check the barrel of the **unloaded** firearm for any possible obstructions.
10. Before firing any firearm that is unfamiliar to you, make sure that you understand exactly how it functions. A lack of familiarity with the firearm can result in serious accidents. Attend a certified training course on any firearm which you intend to use or with which you are not sufficiently familiar.
11. Always wear hearing and eye protection when using your firearm.
12. Keep all body parts, especially the hands and fingers, away from the muzzle to avoid injury or burns.
13. Be sure that no part of either hand touches or interferes with the slide. The slide is moved backward by the recoil force of the pistol during firing and may cause serious injury.
14. Firearms should be locked and stored separately from ammunition and beyond the reach of children and/or any untrained individuals.
15. Avoid the use of any alcoholic beverages or drugs before or during your use of a firearm.
16. Discharging firearms in poorly ventilated areas, cleaning firearms, or handling ammunition may result in exposure to lead; a substance known to be associated with birth defects, reproductive harm and other serious injury. Have adequate ventilation at all times. Wash hands thoroughly after exposure.

STOP! Know how to clear this pistol before attempting to operate.

Clearing the Pistol - The VP Pistol is not considered "clear" or safe unless:

1. The magazine is removed from the pistol;
2. The slide is locked to the rear and;
3. The chamber is free of brass or ammunition.

To Clear the VP Pistol:

1. **Make sure fingers are outside of the trigger guard and the pistol is pointed in a safe direction at all times!**
2. **Remove magazine.** Depress the magazine release lever and remove the magazine from the pistol.
3. **Open and lock slide.** While pointing the pistol in a safe direction, lock the slide open by pulling the slide rearward as you press the slide release upward. Watch for a cartridge or empty case to be ejected from the pistol.
4. **Inspect chamber.** Inspect chamber for the presence of a cartridge or empty case by:
 - Visually viewing chamber through open ejection port.
 - Physically inserting finger into chamber through ejection port to check for the presence of a cartridge or empty case.
 - Remove any cartridges or empty cases from the chamber or from within the pistol.

The VP Pistol is now considered "Clear."

WARNING: A firearm has the capability of taking your life or the life of someone else! Be extremely careful with your firearm. An accident can occur at anytime and is almost always the result of not following basic safety rules.

VP Series Operator's Manual



HECKLER & KOCH

5675 Transport Boulevard
Columbus, Georgia 31907 USA

Tel: (706) 568-1906 • Fax: (706) 568-9151

USA Website: www.hk-usa.com • Email: cs@heckler-koch-us.com

TABLE OF CONTENTS

Safety Precautions & Clearing.....	Inside Cover
Section 1 Introduction.....	5
Section 2 Nomenclature	7
Section 3 Specifications (VP and VP9SK)	9
Section 4 Function & Operation	11
Cycle of Operation	11
Safety Features.....	12
Section 5 Instructions for Use	13
Clearing Procedure	13
Installation of Backstraps and Grip Panels	14
Ammunition.....	15
Filling & Emptying the Magazine	15
Loading	16
Sights and Aiming.....	17
Firing.....	17
Unloading	18
Selection & Use of a Holster	19
Storage & Transport	19
Section 6 Disassembly & Assembly	20
Disassembly	20
Magazine Disassembly.....	21
Assembly	22
Magazine Assembly	24
Function Check	25
Section 7 Cleaning & Maintenance	26
Cleaning	26
Inspection	27
Lubrication	28
Troubleshooting Problems & Repair	29
Section 8 Additional VP Models (Tactical, Color Frame, Subcompact, Push Button Magazine Release, Long Slide)	30
Section 9 VP Accessories.....	38
Section 10 Warranty.....	42
Section 11 VP9 Parts List	44
VP9 Exploded View.....	45
VP9 Push Button Magazine Release Parts List	46
VP9 Push Button Magazine Release Exploded View.....	47
VP40 Parts List	48
VP40 Exploded View.....	49
VP9 Long Slide Parts List	50
VP9 Long Slide Exploded View	51
VP9SK Parts List	52
VP9SK Exploded View	53
Firearms Service Record	54

SECTION 1 INTRODUCTION

The VP Series of pistols was developed by Heckler & Koch to meet the need for a safe, robust, ergonomically enhanced, striker fired handgun.

Incorporating a variation of the well-proven, modified Browning link-less short recoil system of operation, the VP Series striker fired design ensures a consistent trigger pull weight from the first shot to the last.

Safety features abound on the VP Series pistol and include a unique side mounted drop safety for the firing pin. The frame incorporates a trigger mounted safety that prevents accidental discharge from impact if the VP Series is struck or dropped, and a disconnecter ensures that the slide must be in battery for the VP to fire.

The take down lever acts as a disassembly safety and prevents VP Series pistols from being disassembled unless the magazine is removed from the magazine well. If cocked, the firing pin is also decocked as the take down lever is rotated forward.

The design of the VP Series pistol allows the operator to visually assess the status of the firearm by featuring an extractor that also functions as a loaded chamber indicator. A red colored insert at the back of the firing pin indicates if the firing pin is in the cocked or uncocked mode. Witness holes on the back of the magazine housing allow the operator to view the amount of ammunition present by means of a quick glance.

VP controls are completely ambidextrous. Slide releases are present on both sides of the frame, as well as an easy-to-access ambidextrous magazine release on the rear, bottom portion of the trigger guard. Ambidextrous finger recesses, located on the bottom sides of the magazine well, allow the operator to achieve purchase on the magazine's floor plate in the unlikely event that the magazine does not drop free when the extended flanges on the magazine release are activated.

The VP's high strength polymer frame includes a unique ergonomic handgun grip design consisting of interchangeable grip panels and backstraps, as well as a dustcover with a standard Picatinny rail interface. The handgun grip design includes three changeable backstraps and six side panels—accommodating all hand sizes. Molded finger grooves in the front of the pistol's grip also instinctively position an operator's hand for optimal shooting. Only HK handguns have such a customized grip.

Milled from a solid block of high carbon steel and then enhanced with a corrosion resistant nitro-carburized finish, the slide on the VP features non-radioactive luminous sights as standard that are adjustable for both windage and elevation, front and rear slide serrations, as well as extensions on the back of the slide.

Designated as charging supports, this new patented HK feature allows operators of different sizes and statures — and shooters with reduced hand strength to obtain better gripping leverage for racking the slide rearward, facilitating smoother and easier manipulation of the slide during clearing or reloading.

Heckler & Koch, famous for small arms construction and technology, has outfitted the VP with a cold hammer forged barrel and a polished feed ramp. The barrel — made from canon grade steel — ensures long service life. Similar barrels on HK P30 9 mm models have fired more than 90,000 rounds in endurance tests in 2010. The polygonal bore profile, with no traditional lands-and-grooves rifling, contributes to longer service life as well as a slight increase in muzzle velocity.

VP Series pistols use proven HK P30 pistol steel magazines (15 and 13 round capacity for 9 mm and .40 caliber respectively; 10-round capacity also available for both chamberings).

Quality of the VP Series is maintained by ensuring that the design is tested in accordance with both the North Atlantic Treaty Organization's (NATO) AC/225 D/14 and the National Institute of Justice's (NIJ) Standard 0112.03 certifications.

In development for more than four years, VP Series pistols are Heckler & Koch's first striker fired handguns since the renowned P7 Series pistols were introduced in the 1980s. Experience gained by HK engineers with the recent P30 pistol had a direct influence on the design of the VP Series, but the VP breaks new ground with its integration of a unique striker firing system with an enhanced HK precision, "light pull" trigger. The net result is trigger quality unequalled in any production striker fired handgun.

HK pioneered the first modern striker-fired handguns, producing both the VP70 and P7 series, designs that impacted several models by HK competitors. But a superior trigger has eluded most recent striker fired pistol designs.

The VP trigger surpasses those found on competitors. It has a short, light take-up with a solid, single action type break followed by a short positive reset. The VP trigger has a consistent pre-travel pull with a positive wall and crisp break. Typically, striker fired guns have a pre-travel pull that increases in weight as a shooter goes through the trigger stroke. With the VP, you have a less than noticeable pre-travel pull until the trigger reaches the engagement point of the fire control parts prior to trigger break.

The extended Picatinny MIL-STD-1913 rail molded into the VP's polymer frame can mount a wide variety of lights, laser aimers, and other accessories. The rail has been tested and certified to handle mounted accessories up to 5.6 ounces.

The VP's proprietary captive flat recoil spring helps reduce the recoil forces effecting the operator and the handgun, improving shooter control during rapid firing and prolonging component service life.

VP pistols are available in 9 mm x 19 and caliber .40 S&W chamberings and are made in Heckler & Koch's Oberndorf factory in southwest Germany. The VP Series is well suited for civilian sport shooting, security, military, and law enforcement use.

Covered by Heckler & Koch's limited lifetime warranty, HK VP pistols are a solid design engineered with the famous long-term durability that make Heckler & Koch products especially cost-effective when subjected to total life cycle cost analysis.

NOTE: The features and characteristics of the VP9SK (9 mm Subcompact), VP Tactical models, and other variants of the VP Series are substantially the same as those found on full-size VP models. In this manual, most illustrations and photographs depict the full-size VP, but functioning, operation, disassembly, assembly, and other procedures are essentially the same for all models.

SECTION 2 NOMENCLATURE



Figure 1 – VP Series (right side view)

- | | |
|------------------------|----------------------------|
| 1 Rear sight | 6 Trigger guard |
| 2 Slide release, right | 7 Frame |
| 3 Extractor | 8 Grip (side) panel, right |
| 4 Barrel | 9 Serial number |
| 5 Front sight | |

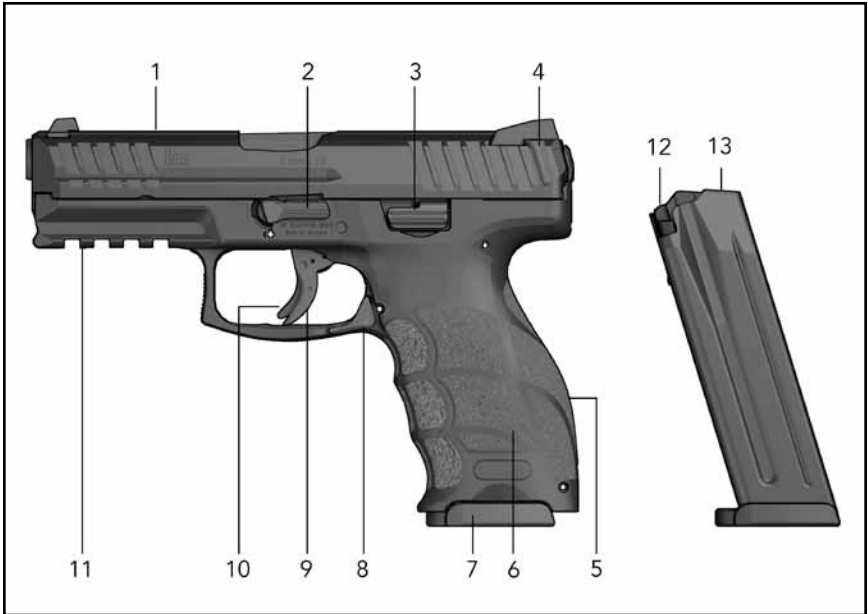


Figure 2 – VP Series (left side view)

- | | |
|----------------------------------|--------------------|
| 1 Slide | 8 Magazine release |
| 2 Disassembly lever | 9 Trigger |
| 3 Slide release, left | 10 Trigger safety |
| 4 Charging support, ambidextrous | 11 Picatinny-rail |
| 5 Back strap | 12 Follower |
| 6 Grip panel, left | 13 Magazine lips |
| 7 Magazine | |



Figure 3 – VP Series Cutaway View

SECTION 3 SPECIFICATIONS

VP9 AND VP40

Caliber	9 mm x 19	.40 S&W
Operating Principle	recoil-operated	
Action Type	Browning type, modified linkless locking system	
Trigger System	Striker fired, single-action	
Magazine Capacity	15 or 10 rounds	13 or 10 rounds

DIMENSIONS & WEIGHT

Length	7.34 inches / 186.5 mm	7.34 inches / 186.5 mm
Width	1.32 inches / 33.5 mm	1.32 inches / 33.5 mm
Height	5.41 inches / 137.5 mm	5.45 inches / 138.5 mm
Barrel Length	4.09 inches / 104 mm	4.09 inches / 104 mm
Sight Radius	6.38 inches / 162 mm	6.38 inches / 162 mm
Weight (with empty magazine)	26.56 oz / 753 grams	28.93 oz / 820 grams
Weight (empty magazine)	3.28 oz / 93 grams	3.28 oz / 93 grams

OTHER DATA

Trigger Pull	approximately 4.5 - 5.4 pound force / 20 - 24 Newtons	
Trigger Travel	.24 inches / 6 mm	
Return Travel	.12 inches / 3 mm	
Barrel Profile/Twist	Polygonal, 6 grooves, right-hand twist, 1 in 9.8 inches / 1 in 250 mm	

MISCELLANEOUS

Warranty	Limited Lifetime Warranty for the original retail (commercial/civilian) purchaser, one year for law enforcement and military customers
Picatinny Rail	Extended MIL-STD-1913 rail with four segments located under dust cover — rated to 5.6 ounces / 160 grams load for accessory light, lasers, and aimers with no impact on performance
Service Life	Test guns have fired more than 10,000 rounds, comparable HK models have achieved 91,000+ rounds
Safety	Firing pin block, trigger latch safety, loaded chamber indicator, firing pin cocking indicator, disassembly safety. Pistol and magazine are AC/225 NATO and NIJ0112.03 safety certified including drop tested
Disassembly	No tools required for user field strip, magazine must be removed for disassembly. Minimal tools (simple punches) required for detailed, depot level disassembly

VP9SK (SUBCOMPACT)

Caliber	9 mm x 19
Operating Principle	recoil-operated
Action Type	Browning type, modified linkless locking system
Trigger System	Striker fired, single-action
Magazine Capacity	10, 13, 15 rounds

DIMENSIONS & WEIGHT

Length	6.61 inches / 168 mm
Width	1.32 inches / 33.5 mm
Height	4.57 inches / 116 mm
Barrel Length	3.39 inches / 86 mm
Sight Radius	5.73 inches / 145.5 mm

Weight (with empty magazine)	24.3 oz / 690 grams
Weight (empty magazine)	2.88 oz / 82 grams

OTHER DATA

Trigger Pull	approximately 4.5 - 5.6 pound force / 20 - 25 Newtons
Trigger Travel	.24 inches / 6 mm
Return Travel	.12 inches / 3 mm
Barrel Profile/Twist	Polygonal, 6 grooves, right-hand twist, 1 in 9.8 inches / 1 in 250 mm

MISCELLANEOUS

Warranty	Limited Lifetime Warranty for the original retail (commercial/civilian) purchaser, one year for law enforcement and military customers
Picatinny Rail	Reduced length MIL-STD-1913 rail with two segments located under dust cover
Service Life	Test guns have fired more than 10,000 rounds, comparable HK models have achieved 91,000+ rounds
Safety	Firing pin block, trigger latch safety, loaded chamber indicator, firing pin cocking indicator, disassembly safety. Pistol and magazine are AC/225 NATO and NIJ0112.03 safety certified including drop tested
Disassembly	No tools required for user field strip, magazine must be removed for disassembly. Minimal tools (simple punches) required for detailed, depot level disassembly

CYCLE OF OPERATION

The cycle of operation is a reoccurring sequence of mechanical events which takes place in the operation of a self-loading firearm. The sequence for the VP pistol begins with a loaded magazine inserted into the magazine well with the slide locked back to the rear.

1. Feeding: Removal of a round from the magazine

Depressing either side of the ambidextrous slide release or pulling slightly back on the charging supports allows the recoil spring to expand, driving the slide forward. The feed pawl, an extrusion that is located on the bottom of the slide, passes between the feed lips of the magazine tube, striking the top round and pushing it towards the chamber. The projectile then contacts the barrel's feed ramp, allowing the base of the cartridge to pivot upwards on the slide's breech face.

2. Chambering: Placing and seating the round into the chamber of the barrel

The recoil spring continues to expand, driving the slide forward and the slide positions the cartridge into the chamber. The base of the cartridge continues to pivot upwards as the slide mounted extractor engages the cartridge's extractor rim. Chambering is complete by the time the barrel starts to move when the slide comes in contact with the back of the barrel's locking block and starts to pivot the barrel upwards and forward.

3. Locking: Closing and locking of the breech mechanism prior to the shot

As the slide is moving forward, the slide's breech face contacts the extension on the back of the barrel's locking block and thus pivots the barrel upward until the stepped forward edge of the barrel locking block engages the forward edge of ejection port. As the slide locks into position, the frame mounted disconnector is allowed to pivot upwards into a corresponding relief cut milled on the inside of the slide, thus allowing the trigger bar access to sear release catch. The locking phase is complete when the slide reaches its limit of forward travel.

4. Firing: Ignition of the cartridge's primer and propellant

As the operator pulls back on the trigger, the trigger safety latch pivots upwards, thus allowing the trigger to be pulled back towards the rear. The trigger bar, connected to the trigger moves back as well, allowing an engagement surface on the trigger bar to pivot the spring loaded firing pin safety to the side which allows the firing pin to move forward once the trigger is pulled. The trigger bar continues to move to the rear until the back of the trigger bar contacts and then presses downward on the sear release catch. The sear release catch, in turn, pushes downward on the catch, disengaging the catch from the firing pin and then allowing the firing pin to move forward, being driven by the expansion of the firing pin spring. The tip of the firing pin contacts and then pierces the primer. The primer detonates which, in turn, ignites the propellant. The projectile, separated from the cartridge case, is forced down the barrel by the expanding gases and is stabilized by the polygonal rifling located inside the bore.

5. Unlocking: Removal of any blocking mechanism to allow the opening of the breech

The resultant force of the cartridge firing produces an impact on the slide and barrel, initially pushing both the slide and barrel back in unison. The slide's ejection port pushes back on the barrel locking block and after approximately 4.5 millimeters of travel, pivots the barrel downward until the barrel's angular locking surface engages the contact surface on the frame mounted locking block.

6. Extracting: Removal of the fired cartridge case or live round from the chamber

With the barrel now retained by the locking block, the slide continues to move towards the rear. The extractor pulls the fired cartridge case or live round from the chamber.

7. Ejecting: Expulsion of the fired cartridge case or live round from the firearm

The extractor engages the cartridge case's extractor rim as the barrel travels to the rear. The extractor creates a pivot and the frame mounted ejector creates a contact point, as the slide rakes the cartridge case against the ejector, allowing the ejector to expel the cartridge case out through the ejection port.

8. Cocking: Resetting of the trigger mechanism to allow subsequent shots to be fired

In the first few millimeters of rearward travel, the slide passes over the disconnecter and presses it downward, thus precluding the trigger bar from depressing the sear release catch and immobilizing the firing pin system. As the slide continues to move back towards the rear, the frame mounted catch engages and pushes back on the lug mounted underneath the firing pin, thus compressing the firing pin spring and cocking the firing pin.

SAFETY FEATURES — The VP incorporates the following safety features:

1. Firing Pin Safety

The slide mounted firing pin safety helps prevent accidental discharge from impact if the VP is struck or dropped. When at rest, the back of the spring loaded safety pivots towards the center of the slide and engages a tang that extends downward on the bottom of the firing pin and thus blocks the firing pin from moving forward in the firing pin tunnel. Once the trigger is pulled, an engagement surface on the trigger bar pivots the firing pin safety to the side and allows the forward movement of the firing pin.

2. Trigger Safety

The frame mounted trigger safety also helps prevent accidental discharge if the VP is struck or dropped by blocking the rearward movement of the trigger assembly thereby immobilizing the trigger bar, unless the entire trigger is pulled back to the rear. With the trigger bar unable to press downward on the sear release catch, the catch remains upright and holds the cocked firing pin assembly in place.

3. Disconnecter

The frame mounted disconnecter ensures that the VP's slide must be in battery before allowing the trigger bar access to disengage the sear release catch and thus preclude the release of the firing pin. When out of battery, the disconnecter is pushed downward by the slide. In battery, a relief cut milled on the bottom of the slide allows the disconnecter to pivot upwards and allows the trigger bar to travel rearwards to disengage the sear release catch.

4. Disassembly Safety

The disassembly safety ensures that the magazine must be removed from the magazine well, the chamber be cleared, and the firing pin decocked prior to disassembly. The dismounting safety is pivoted upwards by the presence of a magazine (loaded or unloaded) and thus blocks the operation of the disassembly lever. When the magazine is removed, the dismounting safety pivots downward and allows the disassembly lever to be rotated forward.

The bottom of the barrel locking block prohibits the operation of the disassembly lever when the slide is forward. Having to lock the slide to the rear prior to manipulating the disassembly lever ensures that any round present in the chamber is extracted and ejected. The activation of the disassembly lever also decocks the firing pin by repositioning the trigger bar slightly forward. The slide then presses downward on the trigger bar which disengages the catch from the firing pin.

CLEARING PROCEDURES

1. Point the muzzle of the VP pistol in a safe direction.

Ensure the muzzle of the VP is pointed in a safe direction and that the operator's fingers are off the trigger and outside the trigger guard.

2. Remove the magazine.

Depress either side of the ambidextrous magazine release and remove the magazine from the magazine well.

3. Open and lock the slide to the rear.

Grasping the charging supports, rack the slide to the rear while keeping the muzzle pointed in a safe direction. Pivot upwards on either of the ambidextrous slide release levers and lock the slide to the rear. Watch for a cartridge or empty case to be ejected out through the ejection port.

4. Inspect the chamber.

Inspect the chamber for the presence of a cartridge or empty case by:

1. Visually inspecting the chamber through the open ejection port.
2. Physically inserting a finger through the ejection port and sweeping the chamber and feed ramp area.
3. Removing any cartridges or empty cases from the chamber or from within the VP.



Figure 4 – Clearing the VP Pistol

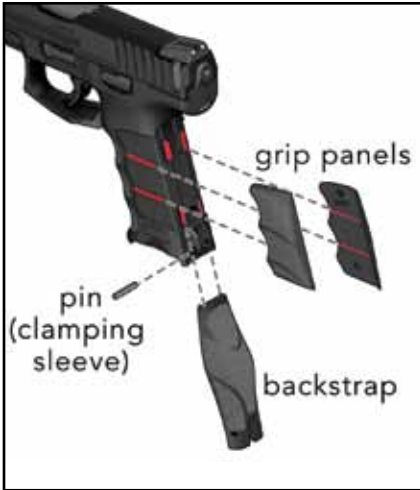


Figure 5
Installing backstrap
and grip panels

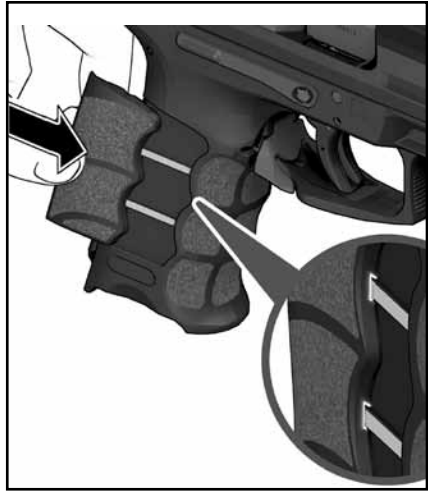


Figure 6
Push the grip panels forward
into the guide rails on the frame

Installation of the Backstrap and Grip Panels

1. Using a 2.8 mm (or 7/64") pin punch, remove the pin (clamping sleeve) holding the backstrap in position. Choose the combination of backstrap and grip panels that provide the most comfortable fit for the operator (see Figure 5).
2. Install the two grooves on the inside of each grip panel onto the corresponding tongues located on the outside of the frame (Figure 5 and Figure 6) and push the panels forward until they seat flush into the frame.
3. Seat the backstrap on to the back of the frame and push upwards until the mounting surface for the pin/clamping sleeve on the backstrap aligns with the mounting surface for the pin/clamping sleeve on the frame.
4. Drift the pin/clamping sleeve into position and capture the backstrap to the frame using the pin punch.

AMMUNITION

WARNING: HK specifically disclaims any responsibilities for any damage or injury that should occur because of, or as a result of, the use of faulty, remanufactured, or reloaded (hand loaded) ammunition, or of cartridges other than those for which the pistol was originally chambered for.

HK VP pistols are designed to fire quality, factory-loaded ammunition, loaded to NATO or SAAMI (Sporting Arms and Ammunition Manufacturers' Institute) specifications for use specifically in handguns.

The following guidelines should be considered when selecting the correct ammunition for your pistol:

1. Be sure the ammunition you have chosen is compatible with your pistol—proper caliber, cartridge, bullet weight, etc. Caliber markings on VP pistols appear on the left side of the slide and on the barrel locking block, visible through the ejection port on the right side of the slide.
2. Prior to loading the magazine and chamber, carefully inspect all cartridges for the following abnormalities:
 - Cracked, split, dirty or corroded cases
 - Improperly seated projectiles and/or primers
 - Damaged projectiles.
3. Do not attempt to fire a cartridge in which the projectile has been forced back into the case. Upon firing, this condition may result in increased chamber pressure above safe limits.
4. Do not fire ammunition through a pistol that:
 - Is foreign and/or outdated military surplus
 - Is assembled with corrosive primer and/or propellant
 - Is exposed to oil, grease, water or direct sunlight. If possible, remove contaminants before use and cool down ammunition exposed to direct sunlight or heat. (Exposure to sources of heat could raise the chamber pressure of the cartridge above safe limits.)
 - Is loaded specifically for use in submachine guns.

CAUTION: HK firearms are designed to function with quality, manufactured brass-cased ammunition. Use of steel or aluminum-cased cartridges is not recommended and could adversely affect safe and reliable functioning. Use of cast-lead bullets is also not recommended.

NOTE: HK handguns are safe for use with new, high-quality U.S. factory ammunition manufactured to SAAMI specifications. For further information go to www.saami.org or contact the manufacture of your ammunition directly.

FILLING AND EMPTYING THE MAGAZINE

NOTE: Do not attempt to load more than the prescribed number of cartridges into the magazine. Do not alter the shape of the magazine housing, follower or spring. To do so may cause stoppages or the magazine may not seat properly in the pistol.

Filling the Magazine

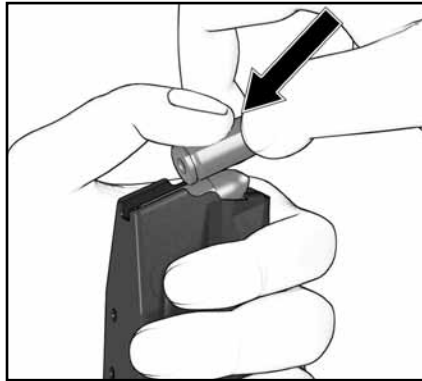


Figure 7 – Loading the magazine

1. Hold the magazine in the non-firing hand with the back side of the magazine resting against the palm.
2. Using the firing hand, hold a cartridge between the index finger and thumb with the projectile facing the palm.
3. Press the rim of the cartridge down against the forward edge of the magazine follower or on the top cartridge already in the magazine.
4. Slide the cartridge back into the magazine under the feed lips.
5. Repeat steps 1-4 until the magazine is full. The viewing holes in the back of the magazine allow the operator to confirm the number of cartridges present within the magazine.

Emptying the Magazine - Exert pressure with a finger on the base of the cartridge and push each cartridge forward out of the magazine one at a time until the magazine is empty.

LOADING

WARNING: Forcefully inserting a loaded magazine into many pistols may cause the pistol's slide to close, chambering a cartridge and making the pistol ready to fire. When inserting a magazine, always be sure the VP pistol is pointed in a safe direction with your fingers off the trigger and outside the trigger guard. Failure to do so could cause you to unintentionally fire the pistol, resulting in serious injury or death.

Administrative Loading - Used to initially load the pistol before it is to be fired.

Slide rearward or forward, chamber empty.

1. Make sure fingers are outside of the trigger guard and the pistol is pointed in a safe direction at all times!
2. Insert magazine - Insert the magazine firmly into the frame. Tug on the magazine to insure that it is fully seated and engaged.
3. Chamber a cartridge - Chamber a cartridge by depressing the slide release or by pulling the slide fully to the rear and releasing it. Do not ride the slide forward!

SIGHTS AND AIMING

The VP is equipped with a three dot sighting system, similar to those first introduced by HK on the P7 series pistol in the 1970s. The sights are adjustable for both windage (by drifting) and elevation (by replacement of the front sight). Sights are installed and aligned by HK technicians at the factory. Only an HK certified armorer should adjust or replace the VP sights. Figure 8 shows correct sight alignment (generally for the VP series it is a “dead on” or “cover up” hold). Figure 9 shows common sight errors.

NOTE: HK VP pistols are test fired for accuracy by ensuring the point of impact equals point of aim at 25 meters (27.3 yards). Individual results concerning accuracy and/or shot placement are affected by such factors as stance, grip, ammunition, and engagement range.

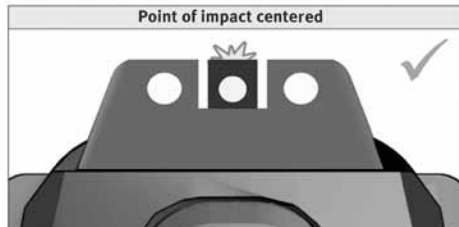


Figure 8 – Correct sight alignment (“Dead On” or “Cover Up” hold)

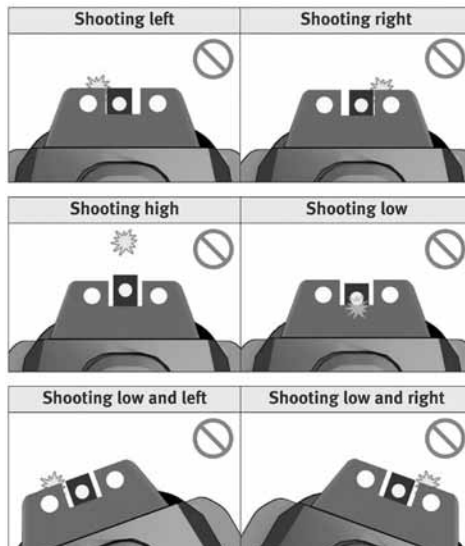


Figure 9 – Common sight alignment errors

FIRING

WARNING

1. Be sure of your target and what's behind it! A bullet from a pistol travels as far as a mile. It can easily penetrate wood or plasterboard walls or even a car door.
 2. Be sure that your hands and all parts of your body are kept away from the muzzle of your pistol at all times!
 3. Always wear eye and ear protection when firing the pistol.
-

1. Acquire the proper sight alignment and sight picture (see Figure 8).
2. Control breathing
3. Gradually squeeze the trigger straight to the rear while attempting to avoid disruption to the sight picture and alignment.
4. Practice good follow-through techniques by maintaining proper sight picture and trigger squeeze until after the firearm has discharged.

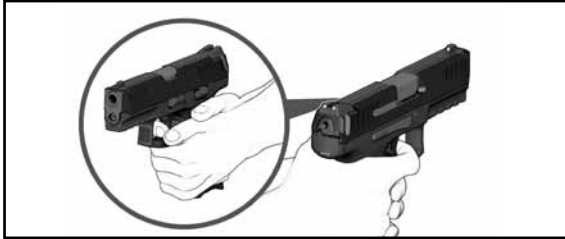


Figure 10 – Two-handed grip

The VP pistol employs a striker fired trigger system that cocks the firing pin as the slide recoils to the rear to extract and eject the fired cartridge case, thus ensuring a consistent trigger pull on all shots, from the first to the last round in the magazine. Figure 11 & 12 show comparison of the cocked and uncocked firing pin positions, the rear, RED colored portion of the firing pin is visible if the VP pistol is cocked and ready to fire.



Figure 11 – Firing pin cocked

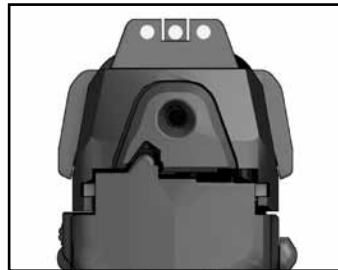


Figure 12 – Firing pin uncocked

UNLOADING

The slide on the VP pistol is locked back after the last round is fed from the magazine by the spring loaded magazine follower engaging a tab located on the inside of the left hand side release lever. As the slide release lever is pivoted upwards, the back of the lever engages a cut-out on the bottom of the slide and locks the slide to the rear.

The magazine can then be removed by depressing either side of the ambidextrous magazine release and both a visual and a physical inspection can be performed on the chamber/feed ramp area.

In the event that the operator wishes to cease firing and unload the firearm before the last round in the magazine is fired then the standard clearing procedure for the VP is recommended:

1. Point the muzzle of the VP pistol in a safe direction with the operator's fingers off the trigger and outside the trigger guard.
2. Remove the magazine by depressing either side of the ambidextrous magazine release and remove the magazine from the firearm.

3. Rack and lock the slide to the rear by pressing upwards on either or both of the ambidextrous slide release levers and the slide is pulled back towards the rear (Figure 13).
4. Perform both a physical and visual inspection of the chamber/feed ramp area and remove any live rounds or fired cartridge cases if applicable.



Figure 13 – Unloading

SELECTION AND USE OF A HOLSTER

Selection - When selecting a holster for the VP pistol, it is important to consider the following points:

1. The holster must not make contact with or actuate any of the operating controls. This includes the slide release, magazine release lever, and most importantly the trigger. The design of the holster must also not actuate these controls when the pistol is carried in, drawn from or returned to the holster.
2. The holster should not cause the slide to move (unlock) when the pistol is returned to the holster.
3. Accommodations must be provided in the holster for any accessories that might be present on the pistol.
4. Choose a holster designed specifically for a VP pistol. A list of manufacturers that make holsters for a variety of HK pistols is available at the Heckler & Koch website or by contacting HK Customer Service.

Returning the pistol to the holster - The VP pistol must be made "Safe" (or cleared) prior to returning it to the holster. The pistol is considered safe to return it to the holster when:

1. All fingers are off of the trigger and out of the trigger guard.
2. The pistol is "clear."

WARNING: The pistol must never be returned to the holster unless the above procedures have been followed or injury or death could occur.

STORAGE AND TRANSPORT

1. Store or transport the pistol and its components clean and lubricated.
2. Store and transport the pistol without cartridges in the chamber, magazine or in the storage container.
3. Store and transport the pistol with the slide forward and the hammer down (uncocked).
4. Clean and lubricate the pistol and its components at least every twelve (12) months during storage.
5. Store the pistol and its components in a clean, dry, dust-free environment with regulated temperature controls.
6. Store the pistol and ammunition separately under lock and key.

DISASSEMBLY

1. Clear the VP!
2. With the slide still locked to the rear and the magazine removed, rotate disassembly lever, located on the left hand side of the frame, forward until the lever is pointing downwards to approximately the six o'clock position (see Figure 14):



Figure 14 – Rotating the disassembly lever

3. Push the slide forward, removing the slide from the top of the frame (see Figure 15).

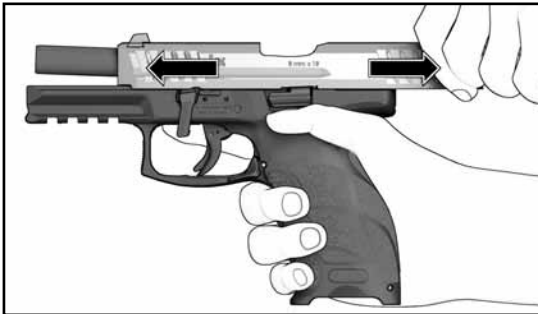


Figure 15 – Removing slide from frame by pushing it forward

4. Turn the slide upside down and carefully push the recoil spring forward and out to either the left or right hand side, separating the recoil spring from the barrel and slide (see Figure 16).

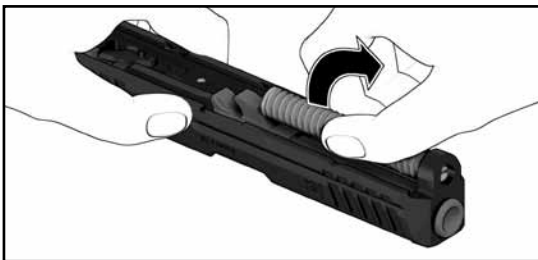


Figure 16 – Removing the recoil spring

5. Pivot the barrel slightly forward and press downward on the barrel locking block through the ejection port, separating the barrel from the slide.

MAGAZINE DISASSEMBLY

NOTE: The VP pistol uses readily available HK P30 pistol magazines, either 15-round or 10-round capacity (9 mm) or 13-round or 10-round capacity (.40 caliber).

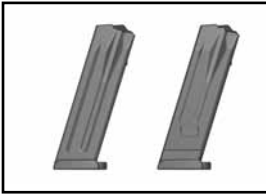


Figure 17
High capacity and
10-round magazines

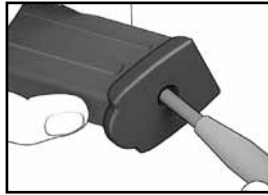


Figure 18
Depressing locking
detent in floorplate

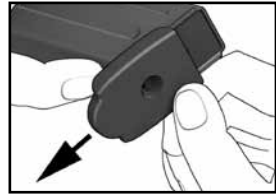


Figure 19
Slide the floorplate
forward

CAUTION: Beware of the spring tension exerted by the magazine spring while removing and installing the magazine floorplate. Keep the base of the magazine pointed in a safe direction (away from the face and eyes) at all times during disassembly and reassembly and wear eye protection.

Disassembly of high-capacity magazines

1. Using a blunt, pointed instrument, depress the locking detent located in the floorplate and hold it there (see Figure 18).
2. Place a portion of either hand over the base of the magazine to control the release of the magazine spring and locking plate.
3. Slowly slide the floorplate forward off of the magazine housing (see Figure 19).
4. Gradually allow the locking plate and magazine spring to expand out of the magazine housing (see Figure 20).
5. Remove the locking plate, magazine spring and magazine follower from the magazine housing.

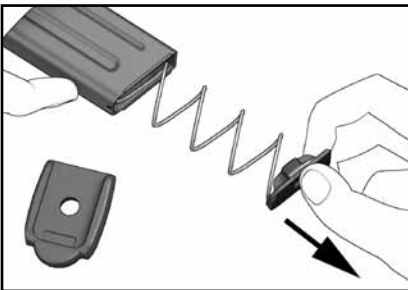


Figure 20
Removing locking plate and spring

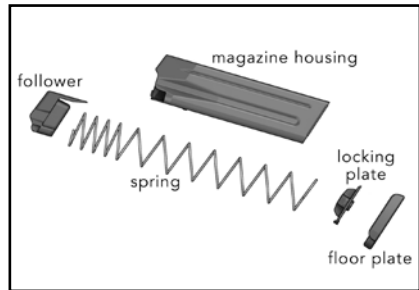


Figure 21
15-round magazine components

Disassembly of 10-round magazines:

1. Using a blunt, pointed instrument, depress the locking insert detent located in the floorplate and hold it there (see Figure 22).
2. Place a portion of either hand over the base of the magazine to control the release of the magazine spring and locking insert.
3. With the locking insert detent still depressed, squeeze the floor plate locking tabs located on the right and left sides of the magazine (see Figure 23).

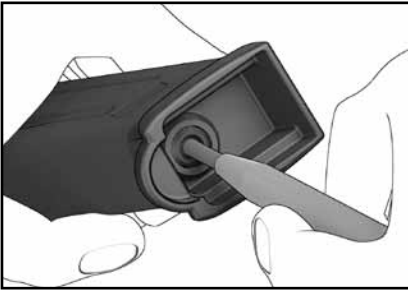


Figure 22
Depress locking insert detent

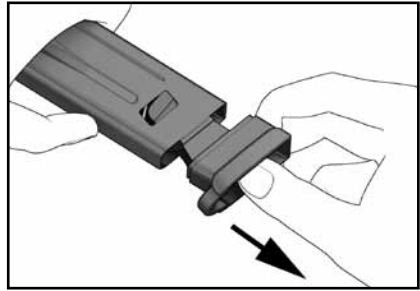


Figure 23
Releasing magazine components

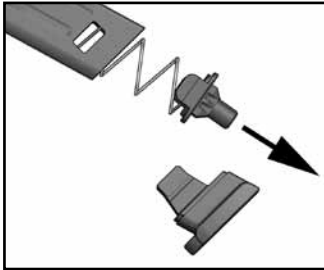


Figure 24
Removing locking insert and spring

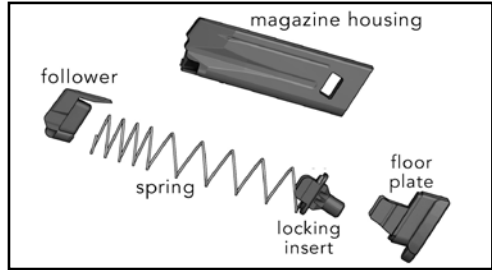


Figure 25
10-round magazine components

4. Gradually allow the locking insert and magazine spring to expand out of the magazine housing (see Figure 24).
5. Remove the locking insert, magazine spring and magazine follower from the magazine housing. Figure 25 shows all the magazine components for 10 round magazines.

ASSEMBLY

1. Turn the slide upside down and insert the barrel into the slide with the barrel's angular locking surface facing upwards.
2. Pivot the barrel back towards the rear until the barrel's locking block snaps into the slide's ejection port.
3. Insert the pronged end of the recoil spring into the tang on the slide that extends below the muzzle.
4. Push the recoil spring forward into position, compressing the recoil spring, then pivot the back of the recoil spring guide rod on to the stepped mounting surface located on the front of the barrel locking lug (see Figure 26). Ensure the front of the recoil spring is facing forward in the slide.

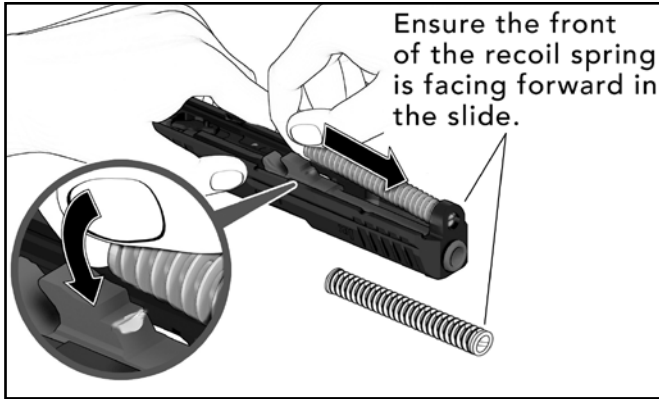


Figure 26 – Reassembling the recoil spring onto the barrel and slide

5. Ensure that no magazine is present in the magazine well and that the disassembly lever is in the down position.
6. Mount the slide onto the frame, ensuring that the recoil spring is centered underneath the barrel, and that the rails on the frame are inserted into the grooves on the bottom of the slide (see Figure 27).

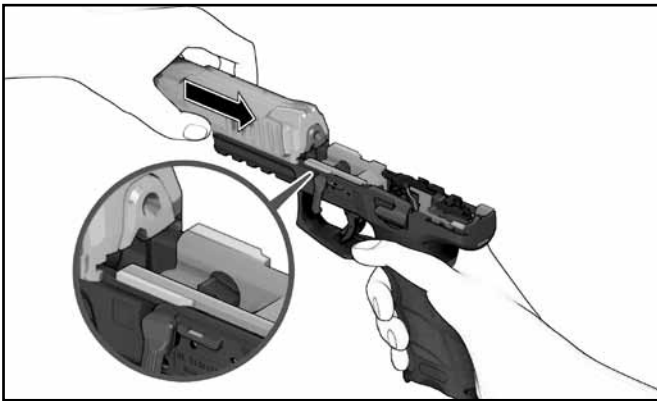


Figure 27 – Mounting the slide on the frame

7. Pull the slide back towards the rear. It might sometimes be necessary to push directly down on the back of the slide where the rear sight is located, to ensure that the rails on the rear frame insert properly engage the grooves on the bottom of the slide.
8. Continue to bring the slide back towards the rear as either of the ambidextrous slide release levers are pivoted upwards, thus locking the slide back.
9. Pivot the disassembly lever counter clockwise so that the lever lies horizontal to the bottom of the slide (see Figure 28).



Figure 28 – Pivot the disassembly lever counter clockwise

MAGAZINE ASSEMBLY

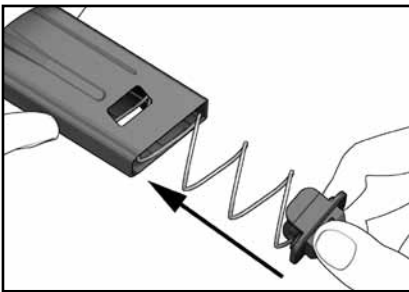


Figure 29

Insert the follower, spring, and locking insert

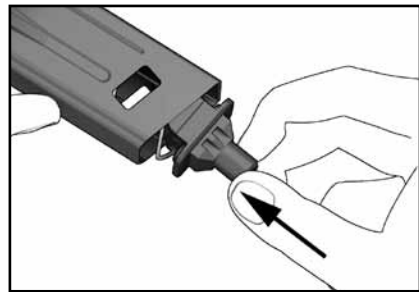


Figure 30

Push the locking insert above the cutouts

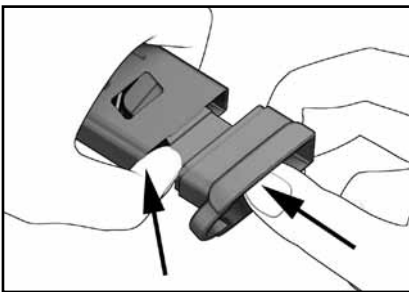


Figure 31

Insert the floorplate into the magazine housing

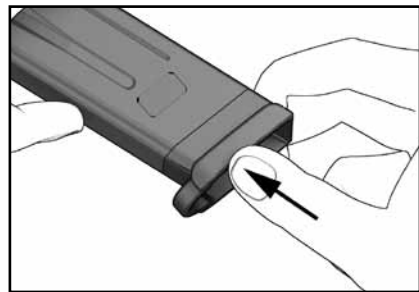


Figure 32

Ensure the tabs on the floorplate seat onto the cutouts

1. Place the magazine follower onto the magazine spring with the end of the spring positioned on the left of the follower.
2. Insert the follower and magazine spring into the magazine housing as depicted in Figure 29.

3. Place the locking plate (locking insert) onto the protruding end of the magazine spring so that the rounded corners face toward the front of the magazine.
4. Push the locking plate into the magazine housing against the pressure of the magazine spring and hold it there. (Figure 30)
5. On 10-round magazines, push the floorplate up onto the base of the magazine housing until the locking tabs engage in the sides of the housing. (Figure 31)
6. Check to see if the locking tabs on the floorplate are securely locked into the housing and the locking detent on the locking plate fits within the hole in the floorplate. (Figure 32)

On all magazines, check the magazine for proper assembly by insuring that the follower slides up and down freely within the magazine housing and with spring tension. Also check that the magazine follower rises within the magazine housing to be nearly flush against the bottom of the magazine feed lips.

FUNCTION CHECK

It is essential that a function check be performed on the VP pistol after reassembly to ensure that the firearm's components have been correctly installed.

1. Clear the VP!
2. Rack the slide towards the rear about three or four times in quick succession, ensuring that fingers are off the trigger and outside the trigger guard. The slide should be able to pivot back and forth, under the tension of the recoil spring, without binding or locking up.
3. Return the slide to battery and check the cocking status of the firing pin. The red cocking indicator should be visible through the witness hole on the slide plate.
4. With an unloaded firearm and the muzzle in a safe direction, pull the trigger and dry fire the VP pistol. While maintaining backward pressure on the trigger, observe the witness hole on the side plate. The firing pin should now be in the uncocked position and the red indicator should not be visible.
5. Rack the slide to the rear and release, again keeping constant tension on the trigger until the slide returns to battery. The firing pin should be returned to the cocked position with the red indicator once again visible in the side plate once the trigger is allowed to reset.
6. Insert an empty magazine in the magazine well and rack the slide to rear. The slide should lock on an empty chamber.

Contact the Heckler & Koch Customer Service Department at TEL: 706-568-1906 or EMAIL: cs@heckler-koch-us.com if you encounter any problems in attempting to disassemble, assemble, and/or conduct a function check on the VP pistol.

CLEANING

NOTE: The service life and performance of your HK VP pistol is dependent upon the correct handling and proper care by the operator.

Materials Required - At a minimum, we suggest the following materials to properly clean a VP Series pistol:

- Cleaning rod with handle and patch holder
- Nylon toothbrush
- Bronze bristle bore brush (in the appropriate caliber)
- Cleaning patches (in the appropriate caliber)
- Lint-free wiping rag
- Cleaning solvent/lubricant
- Cotton swabs

CAUTION: Use safety goggles when using solvents and exercise care if using compressed air.

Handgun cleaning kits are available from HK for thorough cleaning of pistols and other firearms. Visit the HK-USA webshop or contact HK Customer Service.

Cleaning Intervals - Normal and Major are the two types of operator cleaning for the VP pistol.

Normal Cleaning - Performed after each firing or every twelve (12) months.

Major Cleaning - Often referred to as "detailed cleaning." Performed after the firing of 500 cartridges or when the pistol is exposed to, or laden throughout, with sand, dust, water (especially salt water) or other visible contaminants or foreign matter.

Normal Cleaning

CAUTION: Do not use a stainless steel bore brush which can scratch the polygonal bore and reduce accuracy.

Slide -

- Gently scrub all internal surfaces of the slide using the nylon toothbrush moistened with solvent.
- Remove all loose fouling from all surfaces of the slide using a rag and cotton swabs.

Recoil spring assembly -

- Remove all visible fouling using solvent, a nylon toothbrush or a rag and cotton swabs.

Barrel (with locking block) -

- Moisten a bronze bore brush with solvent and scrub the bore from chamber to muzzle at least six (6) passes, back and forth.
- Remove the loose fouling from the bore using cleaning patches.
- Gently scrub the exterior of the barrel and locking block with the nylon toothbrush moistened with solvent.
- Remove all loose fouling from the exterior of the barrel using a rag and cotton swabs.

Frame -

- Gently scrub all internal surfaces where carbon fouling is present using the nylon toothbrush moistened with solvent. Concentrate on the area normally covered by the slide.
- Using a rag and cotton swabs, remove all loose fouling from all areas of the frame.

Magazine -

- Gently scrub the top of the magazine, concentrating on the follower and feed lips, using the nylon toothbrush moistened with solvent.
- Using a rag and cotton swabs, remove all loose fouling from all surfaces of the magazine.

Major Cleaning - Major Cleaning is the same as normal cleaning except that:

- The magazine is disassembled for cleaning.
- All parts should be rinsed with or immersed in solvent and thoroughly scrubbed with a nylon brush. The parts can then be dried using compressed air or with a rag and cotton swabs.

NOTE: All parts of VP pistols can be immersed in any cleaning solvent that is safe to put your hands into, including ultrasonic cleaning solution. Use of ultrasonic cleaning machines can result in the unwanted removal of colored reference markings of the frame, extractor and control lever (where applicable). Use of ultrasonic cleaning is normally not necessary or recommended when using standard ammunition in HK pistols with less than 10,000 rounds of service. All components should be thoroughly dried after being immersed in solvents of any kind before reassembly and all of the firearm's critical components should be lubricated in accordance with the applicable operator/maintenance instructions after being thoroughly dried. For special cleaning recommendations under extreme conditions, please contact HK Customer Service.

INSPECTION

During and after cleaning, visually inspect the pistol and its components for any irregularities that may cause problems or stoppages during operation. Generally, you should keep a watchful eye out for the discrepancies listed below.

Always clear the pistol before conducting your inspection!

Check for:

- Damaged or missing parts
- Improper assembly or function
- Absence of free movement, where applicable
- Absence of spring tension, where applicable
- Unaccustomed looseness
- Parts exhibiting signs of cracks, burrs, dents or obvious signs of damage or stress
- Presence of stops or tactile clicks, where applicable
- General overall cleanliness
- Presence of sufficient lubrication
- Presence of corrosion or degradation of surface finish.

CAUTION: HK pistol designs represent an optimization of a combination of safety, speed of deployment, accuracy, dependability, and durability. Do not attempt to make an HK pistol "better" by altering any of its components. Altering any part of the pistol or magazine may cause injury or death and will also void any HK warranty on the product.

LUBRICATION



Figure 33 – Lubrications Points (in red)

Metal surfaces of VP pistols are treated with HK's special corrosion and wear-resistant finish. This surface treatment does not completely reduce the friction between moving parts and it is recommended that a lubricant be applied to the pistol to ensure proper functioning. Any type of high-quality, medium-weight lubricant (oil) specifically designed for use on firearms will work well on a VP Series pistol. Do not use lubricants that boast of their ability to penetrate metal as these substances may deaden primers. Figure 33 shows areas on the pistol requiring particular attention to lubrication.

Where and How Much -

No Lube - Surface is dry and not slippery to the touch.

- All plastic and rubber components
- Ammunition
- Optronics (lights and aimers)

Light Lube - A finger run across the surface yields little or no lube.

- Bore, chamber and exterior of barrel
- All metal parts
- All internal parts in slide and frame
- Magazine spring
- Recoil spring assembly
- VP pistol metal magazine housing, where applicable

Medium Lube - A finger run across the surface yields some lube, but lube does not run down surface when it is held in a vertical position.

- Barrel locking block
- Slide rails and grooves
- All operating controls
- Locking insert and guiding part in frame
- Extractor

Heavy Lube - Lubrication runs down the surface when it is held in a vertical position.

No heavy lube is required on VP pistols.

Re-apply lubricant periodically during firing as it burns off from the heat. Apply lubricant using a clean shaving brush, cotton swabs, patches or rag. A spray bottle of lubricant also works well when using compressed air to circulate the lubricant into all parts and to remove the excess from the pistol.

TROUBLESHOOTING PROBLEMS AND REPAIR

Common causes of problems that are often overlooked include:

- Fouled or improperly lubricated pistol
- Bad ammunition
- Damaged magazines
- Operator error

If your VP pistol still fails to function, please contact HK Customer Service at 706-568-1906. Law enforcement users, contact your unit armorer or HK Customer Service.

NOTE: If after reviewing this manual you still have questions, please contact HK Customer Service at 706-568-1906 or by email: cs@heckler-koch-us.com.

SECTION 8 ADDITIONAL VP MODELS

VP TACTICAL MODELS

Threaded barrel "Tactical" models were added to the Heckler & Koch VP series in 2016. Distinctive features include an engraved "TACTICAL" slide and either tritium or various high profile sights. Aside from these features, these variants are essentially identical to standard VP series pistols; only their weights and lengths differ due to the longer and slightly heavier threaded barrels.

The threaded barrels are manufactured at HK's Oberndorf factory in southwest Germany, using the legendary Heckler & Koch cold-hammer forging process. HK cold hammer forged barrels — made from proprietary cannon grade steel — are well known for their long service life. Similar HK barrels on P30 models have fired more than 90,000 rounds in endurance tests.

The polygonal bore profile, with no traditional lands-and-grooves rifling, contributes to longer service life as well as a slight increase in muzzle velocity.

CAUTION: VP Tactical models should only be used with high quality sound suppressors. Use of suppressors can damage or cause excessive wear on pistol components and void the HK limited lifetime warranty. If you are using a VP Tactical model with a sound suppressor ensure it is properly attached and free of obstruction. Read and follow instructions. Contact the HK Customer Service staff for more information.



Figure 34 – P Tactical models (.40 S&W and 9 mm).
VP9 Tactical 9 mm model shown with thread protector removed

VP TACTICAL SPECIFICATIONS

Caliber	VP9 Tactical 9 mm x 19	VP40 Tactical .40 S&W
Operating Principle	recoil-operated	
Action Type	Browning type, modified linkless locking system	
Trigger System	Striker fired, single-action	
Magazine Capacity	15 or 10 rounds	13 or 10 rounds

DIMENSIONS & WEIGHT

Length	7.95 inches / 202 mm	7.95 inches / 202 mm
Width	1.32 inches / 33.5 mm	1.32 inches / 33.5 mm
Height	5.41 inches / 137.5 mm	5.45 inches / 138.5 mm
Barrel Length	4.70 inches / 119.5 mm	4.70 inches / 119.5 mm
Sight Radius	6.38 inches / 162 mm	6.38 inches / 162 mm

Weight (with empty magazine)	26.9 oz / 762 grams	29.3 oz / 830 grams
Weight (empty magazine)	3.28 oz / 93 grams	3.28 oz / 93 grams

OTHER DATA

Trigger Pull	approximately 4.5 - 5.6 pound force / 20 - 24 Newtons
Trigger Travel	.24 inches / 6 mm
Return Travel	.12 inches / 3 mm
Barrel Profile/Twist	Polygonal, 6 grooves, right-hand twist, 1 in 9.8 inches / 1 in 250 mm

VP COLORED FRAME MODELS

Colored frame models of the VP series are also available. By adding special colorants to the frame during the molding process, new models of the VP9 (9 mm), VP40 (.40 S&W), and VP9SK (9 mm) have been created. The frame's vibrant color is indestructible and permanent and completely resistant to fading or chemical change.



Figure 35 – VP colored frame models include a FDE (Flat Dark Earth) variant. FDE is a tan/brown color scheme increasing used by military and security units.

Color frame models function exactly like — and are maintained the same as standard VP models. Please direct any questions concerning VP specialized models to HK Customer Service at 706-568-1906, email: cs@heckler-koch-us.com.

VP9SK (SUBCOMPACT MODEL)

A subcompact VP model was added to the Heckler & Koch VP series in 2017.



Figure 36 – VP9SK (Subcompact)

Aside from dimensions and weight, the VP9SK subcompact functions and is maintained essentially the same as standard VP series pistols.

VP9SK SPECIFICATIONS

Caliber	9 mm x 19
Operating Principle	recoil-operated
Action Type	Browning type, modified linkless locking system
Trigger System	Striker fired, single-action
Magazine Capacity	10, 13, 15 rounds

DIMENSIONS & WEIGHT

Length	6.61 inches / 168 mm
Width	1.32 inches / 33.5 mm
Height	4.57 inches / 116 mm
Barrel Length	3.39 inches / 86 mm
Sight Radius	5.73 inches / 145.5 mm
Weight (without magazine)	23 oz / 654 grams
Weight (empty magazines)	10-rd (2.65 oz / 75 g) 13-rd (3.28 oz / 93 g) 15-rd (3.70 oz / 105 g)

OTHER DATA

Trigger Pull	approximately 4.5 - 5.6 pound force / 20 - 25 Newtons
Trigger Travel	.24 inches / 6 mm
Return Travel	.12 inches / 3 mm
Barrel Profile/Twist	Polygonal, 6 grooves, right-hand twist, 1 in 9.8 inches / 1 in 250 mm

PUSH BUTTON MAGAZINE RELEASE

In addition to the conventional, ambidextrous HK paddle magazine release (located on the rear portion of the trigger guard), models of the VP Series are now available with a reversible push button magazine release favored by many users. Both options allow for fast and easy manipulation of the magazine release by fingers and thumbs. Both the paddle release and push button models also use the same, standard magazines.



Figure 37 – VP9 model (VP9-B) with Push Button Magazine Release

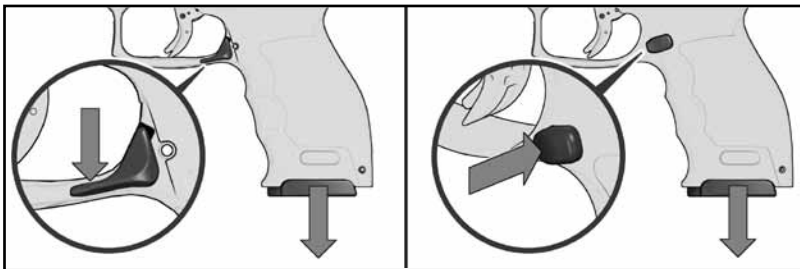


Figure 38 – (Left) Paddle Magazine Release (Right) Push Button Magazine Release

NOTE: The paddle magazine release and the reversible push button are model specific. An HK VP handgun with a paddle magazine release can not be converted to a push button magazine release. The push button magazine release model can not be converted to a paddle magazine release. This determination must be made at time of purchase, as the two models are not convertible.

The push button magazine release is normally mounted on the left side of the pistol's frame but it can be switched to the right side with the use of simple tools.

MOVING THE PUSH BUTTON MAGAZINE RELEASE

The exchangeable push button enables an ergonomically optimal operation of the magazine catch.

REQUIRED TOOLS: Slotted screw driver with narrow blade (approximately 5 mm/.2 inch), punch or pen



Figure 39 – Screw driver, punch and pen body
(the point of a pen body can be used as an alternative to a metallic punch)

WARNING: Ensure the handgun is clear before disassembly.

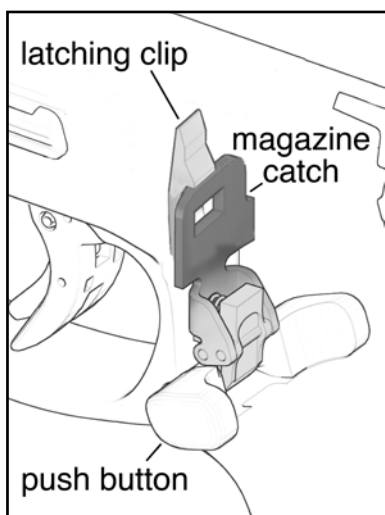


Figure 40 – Diagram of Push Button Parts

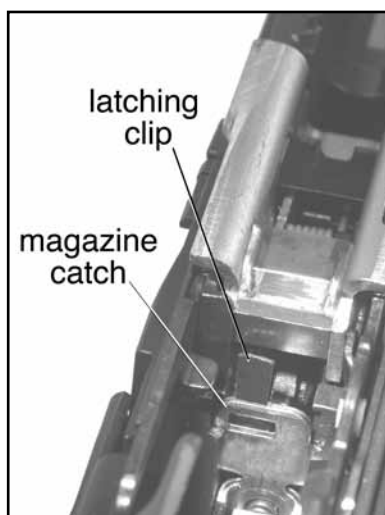
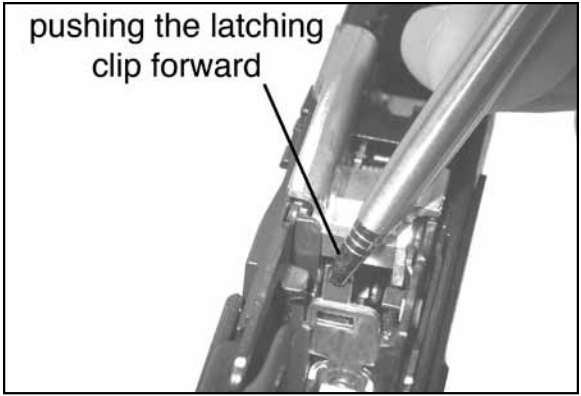


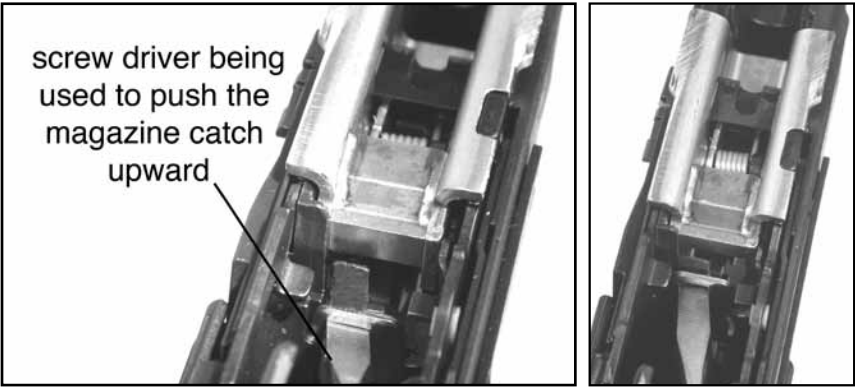
Figure 41 – Push Button Parts

1. With the pistol disassembled and the slide removed, push the latching clip in the pistol grip frame forward with a punch or pen (Figure 42).
2. With the latching clip held forward, place a narrow screw driver in the rectangular cutout (detent) in the magazine catch and push upward slightly (Figure 43). This action releases the push button and allows it to be removed and reversed.
3. Remove the push button by sliding it out of the pistol grip frame (Figure 44).
4. Position (convert) the push button as desired (textured button component on the left of frame for right handed shooters, textured button component on the right of the frame for left handed shooter).



pushing the latching
clip forward

Figure 42 – Pushing the latching clip forward (punch or pen can be used)



screw driver being
used to push the
magazine catch
upward

Figure 43 – Pushing the magazine catch upward with a narrow screw driver

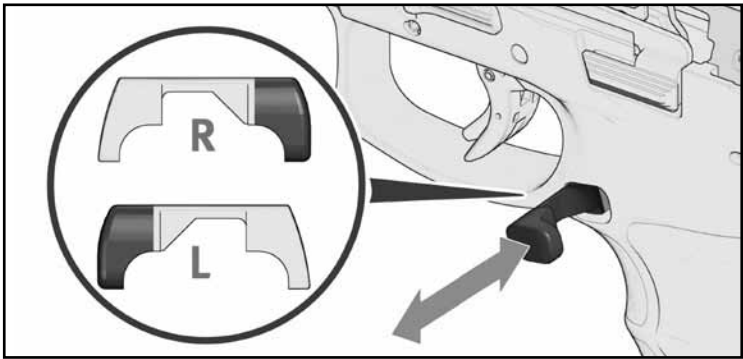


Figure 44 – Slide the magazine push button out of the pistol grip,
position it as desired and reinstall



Figure 45 – Turning the pistol so it is facing down may make the installation of the push button easier

REASSEMBLY

1. Ensure the push button is properly positioned.
2. Press the latching clip forward and then push the magazine catch downward until it engages; tools may not be necessary.
3. When the magazine catch is pushed downwards and engages the latching clip, there may be an audible click (Figure 46). Check to ensure the components are properly positioned (Figure 46, 40, and 41).
4. Re-assemble the pistol and test the action. Check to ensure the push button magazine release is working properly by inserting and releasing an empty magazine.



Figure 46 – Push button magazine release components properly reassembled.

VP LONG SLIDE

A VP Long Slide variant – both as an add-on accessory kit and complete gun is available from HK. The accessory kit (in 9 mm only) consists of an extended slide and extended barrel as well as a special recoil spring assembly. The barrel and slide are approximately 1 inch longer than standard VP models.

Aside from the added length of the slide and barrel, the Long Slide has four slide cuts on each side. The cuts function as front slide serrations and also lighten the weight of the slide for optimal functioning. An adjustable rear sight and high visibility fiber optic front sight are also standard features. A barrel o-ring ensures precise slide-to-barrel lockup for accuracy.

The Long Slide components can be used on any standard size VP frame (push button or paddle magazine release, Figures 47 & 48). Assembly and disassembly procedures are the same for removal and installation of the VP slide, barrel, and recoil spring assembly (pages 20 & 22).

The Long Slide components do not fit the subcompact models of the VP series.



Figure 47 – VP9L with push button magazine release



Figure 48 – VP9L with paddle magazine release

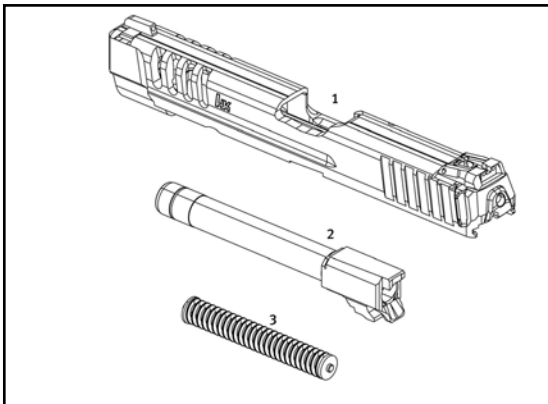


Figure 49 – VP9 Long Slide components,
1 - slide, 2 - barrel, 3 - recoil spring assembly

RAIL MOUNTED ACCESSORIES

HK VP pistols have a full length MIL-STD-1913 (Picatinny) rail molded into the front, lower portion of their frames (dust cover). This rail allows the operator to mount a wide variety of lights, lasers aimers, and additional accessories to the handgun by means of the simple and proven Picatinny interface system (see Figure 50).



Figure 50 – Accessory laser aiming module mounted on VP pistol

To avoid damage to the accessory and the VP pistol, carefully follow the instructions of the manufacturer for installing, operating, and removing accessories from the mounting rails. Always ensure the VP pistol is “clear” and unloaded before installing or removing accessories.

NOTE: Weight of any frame (dust cover) mounted accessories should not exceed 5.64 ounces (160 grams) to ensure reliable function (VP full-size models).

Most lights, laser aimers, and similar accessories are installed by sliding them onto the front of the rail system while depressing a locking mechanism or clipping them on from the bottom. Again, follow the installation instructions of the accessory manufacturer. If encountering difficulty, please contact HK Customer Service to avoid damage to the pistol or the accessory.

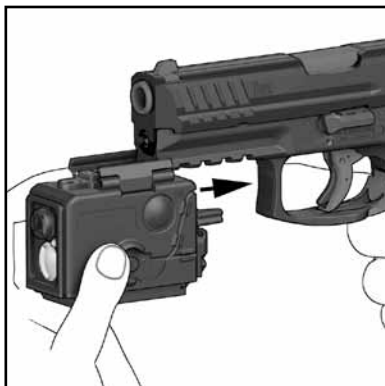


Figure 51 & 52– Installing accessory lights onto the rails

FLUSH FITTING INSERTS FOR THE VP SLIDE

The charging supports on the rear of VP slides can be replaced with flush fitting inserts. To do so, the rear sight must be removed from the dovetail notch. With the rear sight removed, the charging supports can then be slid upward out of the slide and the flush fitting inserts installed in their place. The rear sight should then be replaced in the slide dovetail. Although this modification can be made by the user/operator, it is strongly recommended that only an HK certified armorer do so.

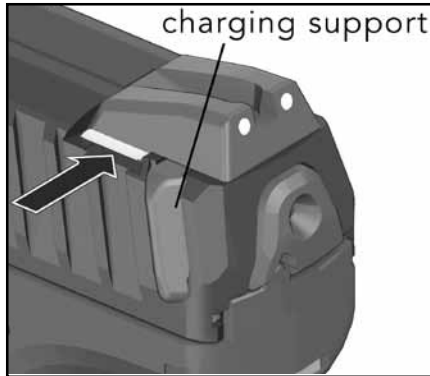


Figure 53 – Rear sight must be removed to replace charging supports

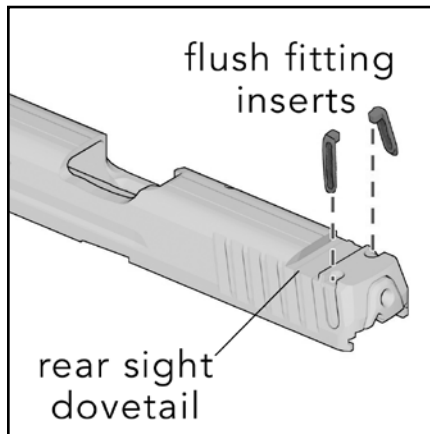


Figure 54 – Installing flush fitting inserts

MAGAZINE LOADER

An HK pistol magazine loader is also available as an accessory. The magazine loader (HK article number 217 830) makes loading of all VP magazines easier and more convenient.



Figure 55 – HK magazine loader

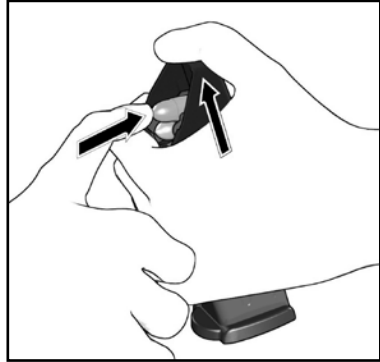


Figure 56 – Using the magazine loader

ACCESSORY MAGAZINES FOR VP9SK

A variety of magazines and accessory floorplates are available for different operational requirements and for optimal ergonomic handling; these include a flat floorplate magazine (10 round capacity), a hooked floorplate magazine (10 round capacity), and extended magazines (13 round and 15 round capacity) with extended floorplates/magazine sleeves. The 15 round magazine is the same magazine used in full-size VP models.



Figure 57 – VP9SK with flat magazine floorplate (left) compared VP9SK with hooked magazine floorplate (right)

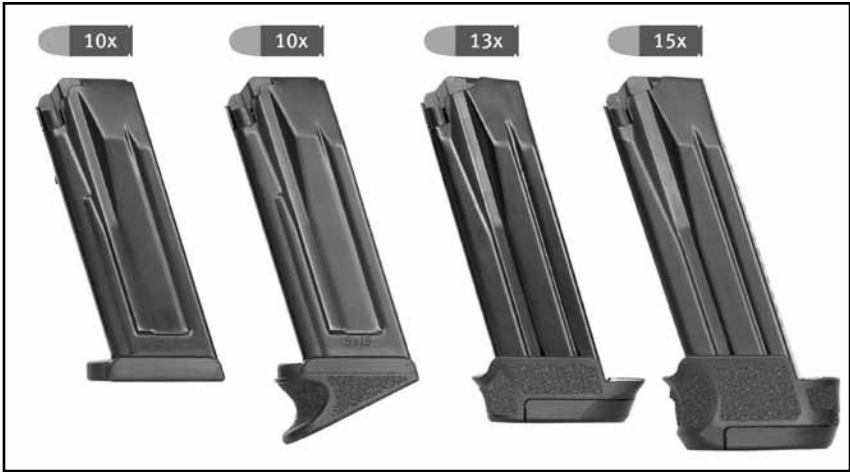


Figure 58 – VP9SK magazines compared



Figure 59 – VP9SK with 13-rd and 15-rd magazine installed
(NOTE: the standard VP9 15-round magazine also fits the VP9SK)

For a complete list of accessories that fit VP pistols, contact HK Customer Service.

CAUTION: Improperly designed or installed accessories may result in damage to the rail system and/or the pistol. Such damage is not covered under warranty. Be certain to use only HK approved accessories and follow installation and precautions carefully.

NOTE: If after reviewing this manual you still have questions, please contact HK Customer Service at 706-568-1906 or by email: cs@heckler-koch-us.com.

SECTION 10 WARRANTY

WARRANTY REGISTRATION

New HK firearms are covered by Heckler & Koch's Limited Lifetime Warranty. Warranty registration is now on-line. To register your new HK firearm go to:

<http://hk-usa.com/warranty/register.html>

If you don't have access to the internet, contact HK Customer Service, 5675 Transport Boulevard, Columbus, Georgia 31907, TEL: (706) 568-1906, FAX: (706) 568-9151, EMAIL: cs@heckler-koch-us.com to obtain a warranty registration form or card by mail.

HECKLER & KOCH, INC. LIFETIME LIMITED WARRANTY

Heckler & Koch Firearms Purchased After January 1, 1998

All new Heckler & Koch Inc. firearms purchased after January 1, 1998, are warranted to the original retail purchaser only for the lifetime of the said original retail purchaser. In the event that this original retail purchaser, at the time of the original purchase, shall donate this firearm to another person, the donee (person who receives the firearm) must be listed on the warranty card (or donee's name must be submitted during the online warranty registration), and the warranty card must be returned at that time to Heckler & Koch Inc.

Upon completion of the online warranty registration or receipt of the warranty card indicating the name of the said donee, this warranty shall be extended to the lifetime of the said donee. This warranty applies only if the firearm was purchased from an Authorized Heckler & Koch Inc. Dealer in the United States, and it was imported into the United States and distributed by Heckler & Koch Inc. to an Authorized Heckler & Koch Inc. Dealer. This lifetime warranty explicitly excludes sales to government institutions or law enforcement agencies.

What Will We Do?

Heckler & Koch Inc. will, at its option, repair or replace without charge any Heckler & Koch Inc. firearm that fails due to a defect in materials or workmanship. Parts and labor are included. Repairs are warranted for the duration of the warranty. If Heckler & Koch Inc. replaces a firearm under this warranty; you will receive a new warranty. Heckler & Koch Inc. will return your firearm to you normal surface freight prepaid. Handguns will be shipped next day air delivery.

How to Obtain Service:

Contact Heckler & Koch Inc. for a Return Authorization Number before sending your firearm freight prepaid to Heckler & Koch Inc. at the address listed below. No C.O.D. shipments will be accepted. Only the existing Heckler & Koch Inc. Service Center or any other authorized Heckler & Koch Inc. Service Center that may be established by Heckler & Koch Inc. shall be authorized to make warranty repairs. Return the complete, unloaded firearm with a detailed description of the problem. (DO NOT send any live ammunition with the firearm. If you must send ammunition to us for proof purposes, be sure that it is sent separately from the firearm.)

You must provide Heckler & Koch Inc. with satisfactory proof of date of original purchase. We strongly recommend that you return a properly completed warranty registration card or an acknowledgment of online warranty registration to establish eligibility for warranty service. If you do not return a warranty card or an acknowledgment of online warranty registration to Heckler & Koch Inc., you are required at the time you send your firearm to Heckler & Koch Inc. warranty service to provide proof of the date that you purchased your new Heckler & Koch Inc. firearm. As stated earlier, in the event that this firearm was given as a gift at the time of original purchase, the warranty card/online warranty registration with the name of the donee must be provided to Heckler & Koch Inc., in

order for the warranty to become effective. Note: Non-warranty servicing must follow the same shipping procedures as stated above. HK firearms with a valid Return Authorization Number should be addressed:

Heckler & Koch, Inc.
Attn: Service Department/RA# _____
5675 Transport Blvd. Suite 200
Columbus, GA 31907 USA

What Is Not Covered?

This warranty does not cover defects or damage caused by: (1) unreasonable use; (2) failure to provide proper care or maintenance; (3) failure to comply with instructions in the owner's manual including improper installation of original Heckler & Koch Inc. parts by the owner or his agent; (4) normal wear and tear for the degree of use; (5) rust or corrosion; (6) obstructions in the barrels; (7) excessive use; (8) finish on the slide.

Heckler & Koch Inc. reserves the right to determine what constitutes the unreasonable or excessive use of the firearm. All wooden parts and all accessories are excluded from warranty coverage. This warranty does not cover any claims made by the second or subsequent owner of a Heckler & Koch Inc. firearm as stated above.

ANY UNAUTHORIZED ALTERATION OR MODIFICATION OF THE FIREARM OR USE OF PARTS OR COMPONENTS NOT ORIGINALLY MADE BY HECKLER & KOCH INC. SHALL VOID THIS WARRANTY. HECKLER & KOCH INC. SHALL NOT BE RESPONSIBLE FOR ANY CLAIMS INVOLVING THIS FIREARM THAT RESULT FROM THE USE OF FAULTY, NONSTANDARD, REMANUFACTURED, OR RELOADED AMMUNITION OR AMMUNITION NOT MANUFACTURED TO NATO AND/OR SAAMI SPECIFICATIONS.

Under no circumstances shall Heckler & Koch Inc. be responsible or liable for incidental or consequential damages with respect to loss of use, loss of business or profits, other economic loss or injury to property, whether as a result of breach of express or implied warranty, negligence or otherwise. This Lifetime Warranty applies only to retail purchases by individuals. Heckler & Koch Inc. firearms purchased by law enforcement, military, and security organizations for duty issue to their personnel are covered by a limited one-year warranty.

Some states do not allow the exclusion or limitation of incidental or consequential damages, so the above limitation or exclusion may not apply to you. This warranty gives you specific legal rights, and you may also have other rights, which vary from state to state. This limited warranty is the only express warranty by Heckler & Koch Inc.

Heckler & Koch Inc. authorizes no dealer or any other person to vary the terms of this warranty or make any other express warranties.

Where to Get Further Help

If you have questions concerning this warranty, please contact HK Customer Service at: 5675 Transport Blvd., Columbus, GA 31907, Telephone: 706-568-1906, Fax: 706-568-9151, Email: cs@heckler-koch-us.com

SECTION 11 VP9 PARTS LIST & EXPLODED VIEW

Item	Description	Part Number	Item	Description	Part Number
—	Frame, complete (Item 1 - 37)	226 274	—	Slide, complete for VP Tactical)	239 317
—	Trigger, complete (Item 1 - 5)	223 434	38	Barrel	245 671
1	Elbow spring for trigger safety catch	260 459	38.1	Threaded barrel (for VP9 Tactical)	245 602
2	Trigger safety latch	260 458	39	Recoil spring, complete	260 506
3	Trigger	223 435	40	Slide	226 291
4	Axle for trigger safety latch	975 812	40.1	Slide, not illustrated (for VP9 Tactical)	239 313
5	Stop pin for elbow spring	967 947	41	Front sight, height 5.9 mm	227 711
6	Trigger bar	223 438	41.1	Front sight, height 6.1 mm	50234327
7	Form spring for trigger bar, complete	50250852	41.2	Front sight, height 6.3 mm	50234328
8	Elbow spring for trigger	223 565	41.3	Front sight, height 6.5 mm	234 329
9	Stop bolt for trigger	260 440	41.4	Front sight, height 6.7 mm	234 386
10	Frame	245 239	41.5	Front sight, height 6.9 mm	234 387
11	Catch spring for disassembly lever	260 453	—	Tritium night sight set	708056R
12	Slide release lever, left	260 431	42	Clamping sleeve for extractor	50988891
13	Pressure spring for slide release	260 454	43	Charging support, left	260 481
14	Locking block	260 501	43.1	Filler piece, left (not illustrated)	260 483
15	Heavy type dowel pin for locking block	226 312	44	Charging support, right	260 480
16	Elbow spring for dismounting safety	260 429	44.1	Filler piece, right	260 482
17	Dismounting safety	260 430		Filler piece, complete set (left & right)	1200200
18	Disconnecter	223 452	45	Extractor	218 314
19	Slide release, right	260 498	46	Pressure spring for extractor	50218315
20	Safety clamp	260 436	47	Extractor bolt for extractor	50209294
—	Trigger housing, compl. (Item 21 - 28)	223 436	48	Rear sight	50234323
21	Sear release catch	226 319	—	Firing pin, complete (Item 49 - 53)	223 516
22	Catch	226 317	49	Main spring	226 233
23	Pressure spring for catch	223 129	50	Support sleeve	260 488
24	Insert	223 426	51	Pressure spring for firing pin	260 487
25	Cylindrical pin for catch	973 785	52	Spring washer (2x)	260 489
26	Cylindrical pin for sear release catch	979 581	53	Firing pin	223 501
27	Trigger housing	260 464	54	Slide plate	260 504
28	Clamping sleeve for insert	50978170	55	Elbow spring for drop safety	260 478
29	Clamping sleeve for trigger housing	975 715	56	Drop safety	226 316
30	Grip panel, left (size M)	260 445	57	Axle for drop safety	226 314
30.1	Grip panel, left (size S) not illustrated	260 442	58	Clamping sleeve for axle	976 574
30.2	Grip panel, left (size L) not illustrated	260 449	—	Magazine, complete (15-rd, Item 59 - 63)	234 316S
31	Grip panel, right (size M)	260 446	59	Magazine housing (15-rd)	234 318
31.1	Grip panel, right (size S) not illustrated	260 443	60	Follower (15-rd and 10 rd)	215 836
31.2	Grip panel, right (size L) not illustrated	260 450	61	Magazine spring (15-rd)	215 118
32	Back strap (size M)	260 444	62	Magazine locking plate (15-rd)	215 844
32.1	Back strap (size S) not illustrated	260 441	63	Magazine floor plate (15-rd)	234 298
32.2	Back strap (size L) not illustrated	260 448		Magazine, complete (10-rd)	229 750S
33	Clamping sleeve for back strap	50978170		Magazine housing (10-rd)	215 848
34	Pressure spring for magazine catch	50215929		Follower (10-rd and 15-rd)	215 836
35	Magazine catch	260 500		Magazine spring (10-rd)	214 850
36	Clamping sleeve for magazine catch	50988891		Magazine locking insert (10-rd)	215 850
37	Disassembly lever	260 427		Magazine floor plate (10-rd)	227 947
—	Slide, complete	226 275	64	Thread protector (9 mm)	207 330

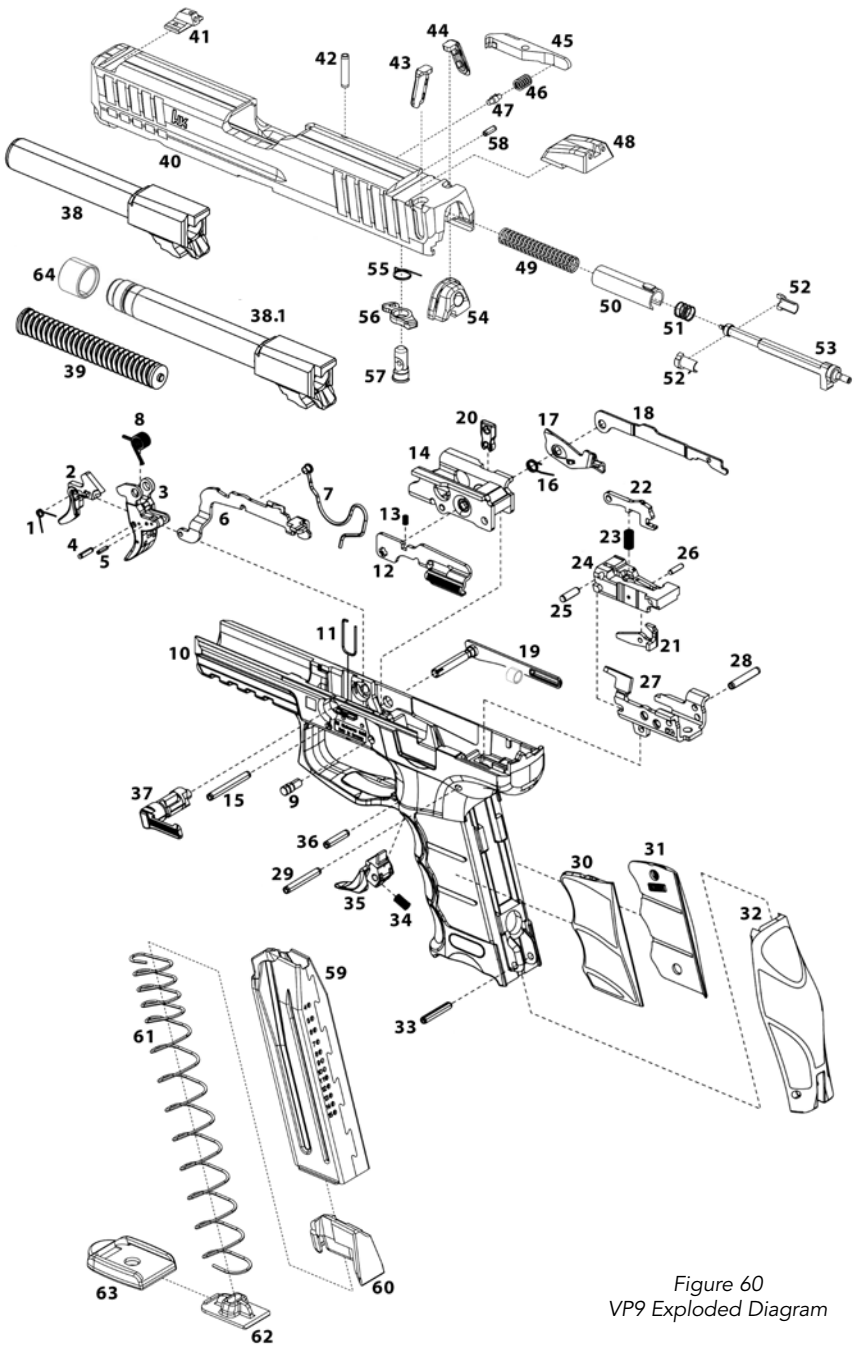


Figure 60
VP9 Exploded Diagram

VP9-B (PUSH BUTTON) PARTS LIST & EXPLODED VIEW

Item	Description	Part Number	Item	Description	Part Number
	Slide, compl. (Item 1 - 19)	253 466	39	Disconnecter.....	223452
1	Slide	253467	40	Slide release, right.....	260498
2	Front sight, height 5.9 mm	227711	41	Safety clamp	260436
2.1	Front sight, height 6.1 mm	234327		Trigger housing, compl. (Item 42 - 28)	223436
2.2	Front sight, height 6.3 mm	234328	42	Sear release catch	254721
2.3	Front sight, height 6.5 mm	234329	43	Catch	226317
2.4	Front sight, height 6.7 mm	234386	44	Pressure spring for catch	223129
2.5	Front sight, height 6.9 mm	234387	45	Insert.....	223426
3	Clamping sleeve for extractor	988891	46	Cylindrical pin for catch	973785
4	Charging support L, left.....	260481	47	Cylindrical pin for sear release catch	979581
5	Charging support L, right	260480	48	Trigger housing.....	226373
6	Extractor	218314	49	Clamping sleeve for insert.....	978170
7	Pressure spring for extractor.....	218315	50	Clamping sleeve for trigger housing.....	975715
8	Rubber plug.....	209294	51	Grip shell M, left	226204
9	Rear sight, height 8.9 mm	223557	52	Grip shell M, right.....	260446
	Firing pin, compl. (Item 10 - 14)	223516	53	Back strap M.....	260444
10	Main spring.....	239354	54	Clamping sleeve for back strap	978170
11	Support sleeve.....	260488	55	Disassembly lever	260427
12	Pressure spring for firing pin.....	260487	56	Magazine catch for push-button.....	250819
13	Spring washer (2x)	260489		Push-Button M (Item 56 - 57).....	250865
14	Firing pin.....	223501	57.1	Push-Button M.....	250874
15	Slide plate.....	260504	57.2	Push-Button S	250873
16	Elbow spring for firing pin safety.....	260478	57.3	Push-Button L	250875
17	Firing pin safety	226316	57.4	Push-Button XL.....	250867
18	Axle for firing pin safety.....	226314	58	Push button slide.....	250866
19	Clamping sleeve for axle	976574	59	Tool for Push-Button conversion.....	253579
20	Barrel, 9 mm x 19.....	254755	60	Pistol magazine loader	217830
21	Recoil spring, complete.....	260506			
	Frame, compl. (Item 22 - 37)	239826			
	Trigger, compl. (Item 22 - 58)	223434			
22	Elbow spring for trigger safety	260459			
23	Trigger safety	260458			
24	Trigger	223435			
25	Axle for trigger safety	975812			
26	Stop pin for elbow spring.....	967947			
27	Trigger bar.....	223438			
28	Shaped spring for trigger bar, complete	250852			
29	Elbow spring for trigger.....	223565			
30	Stop bolt for trigger.....	260440			
31	Frame.....	239827			
32	Stop spring for disassembly lever.....	260453			
33	Slide release, left	260431			
34	Pressure spring for slide release	260454			
35	Locking block.....	260501			
36	Clamping sleeve for locking block	226312			
37	Elbow spring for disassembly safety.....	260429			
38	Disassembly safety	260430			

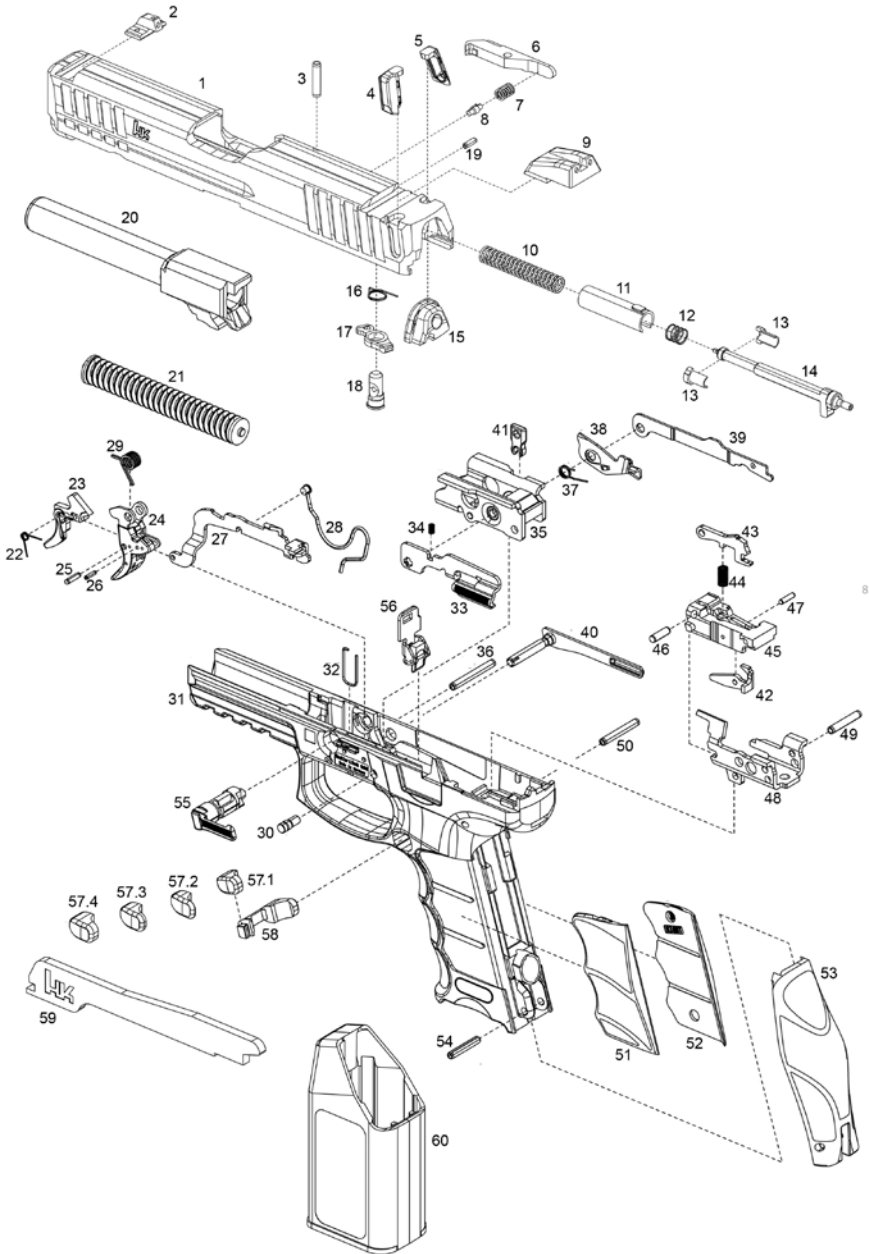


Figure 61
 VP9-B (Push Button Magazine
 Release) Exploded Diagram

VP40 PARTS LIST & EXPLODED VIEW

Item	Description	Part Number	Item	Description	Part Number
1	Barrel	243 569	32	Stop bolt for trigger.....	260 440
1.1	Threaded barrel (for VP40 Tactical)	223 244	33	Frame.....	245 277
—	Recoil spring guide rod, complete (Item 2 - 4)	260 506	34	Catch spring for disassembly lever.....	260 453
2	Stop disc for recoil spring.....	260 492	35	Slide release, left	260 431
3	Recoil spring	260 491	36	Pressure spring for slide release	260 454
4	Recoil spring guide rod	260 493	37	Locking block.....	260 501
—	Recoil spring compl. (item 2 - 4).....	260 506	38	Clamping sleeve for locking block	226 312
—	Slide, compl. (item 5 - 23).....	239 268	39	Elbow spring for disassembly safety.....	260 429
—	Slide, compl. (for VP40 Tactical)	239 320	40	Disassembly safety	260 430
5	Slide	260 484	41	Disconnecter.....	223 452
—	Slide, not illustrated (for VP40 Tactical) ..	239 314	42	Slide release, right	260 498
6	Front sight, height 5.9	227 711	43	Safety clamp	260 436
—	Front sight, height 6.1	234 327	—	Trigger housing, compl. (Item 44 - 51)	223 436
—	Front sight, height 6.3	234 328	44	Sear release catch.....	226 319
—	Front sight, height 6.5	234 329	45	Catch	226 317
—	Front sight, height 6.7	234 386	46	Pressure spring for catch	223 129
—	Front sight, height 6.9	234 387	47	Insert.....	223 426
—	Tritium night sight set.....	708056R	48	Cylindrical pin for catch	973 785
7	Clamping sleeve for extractor	988 891	49	Cylindrical pin for sear release catch	979 581
8	Charging support, left	226 378	50	Trigger housing.....	226 373
9	Charging support, right	226 377	51	Clamping sleeve for insert.....	978 170
—	Filler piece, left.....	226 380	52	Clamping sleeve for trigger housing	975 715
—	Filler piece, right.....	226 379	53	Grip panel, left (size M).....	260 445
10	Extractor	215 919	—	Grip panel, left (size S) not illustrated.....	260 442
11	Pressure spring for extractor.....	214 188	—	Grip panel, left (size L) not illustrated.....	260 449
12	Rubber plug.....	215 801	54	Grip panel, right (size M)	260 446
13	Rear sight.....	234 323	—	Grip panel, right (size S) not illustrated ..	260 443
—	Firing pin, complete (Item 14 - 23).....	223 516	—	Grip panel, right (size L) not illustrated ..	260 450
14	Main spring.....	226 233	55	Back strap (size M)	260 444
15	Support sleeve.....	260 488	—	Back strap (size S) not illustrated	260 441
16	Pressure spring for firing pin.....	260 487	—	Back strap (size L) not illustrated	260 448
17	Spring washer (2x)	260 489	56	Clamping sleeve for back strap	978 170
18	Firing pin.....	223 501	57	Pressure spring for magazine catch	215 929
19	Slide plate.....	260 504	58	Magazine catch.....	260 500
20	Elbow spring for firing pin safety.....	260 478	59	Clamping sleeve for magazine catch.....	988 891
21	Firing pin safety	226 316	60	Disassembly lever	260 427
22	Axle for firing pin safety.....	226 314	—	Magazine, .40 complete (13-rd, item 61 - 65).....	229245S
23	Clamping sleeve for axle	976 574	—	Magazine, .40 complete (10-rd).....	229970S
—	Frame, complete (Item 24 - 60)	226 274	61	Magazine housing	229 774
—	Trigger, complete (Item 24 - 28)	223 434	—	Magazine housing (10-rd).....	215 833
24	Elbow spring for trigger safety	260 459	62	Follower (13-rd and 10-rd).....	215 836
25	Trigger safety	260 458	63	Magazine spring (13-rd).....	215 118
26	Trigger	223 435	64	Magazine locking plate (13-rd)	215 844
27	Axle for trigger safety	975 812	65	Magazine floor plate 13-rd)	234 298
28	Stop pin for elbow spring.....	967 947	—	Magazine spring (10-rd).....	214 821
29	Trigger bar	223 438	—	Magazine locking insert (10-rd)	215 835
30	Shaped spring for trigger bar, complete .	260 502	—	Magazine floor plate (10-rd)	229 971
31	Elbow spring for trigger.....	223 565	66	Thread protector (.40 S&W).....	979 594

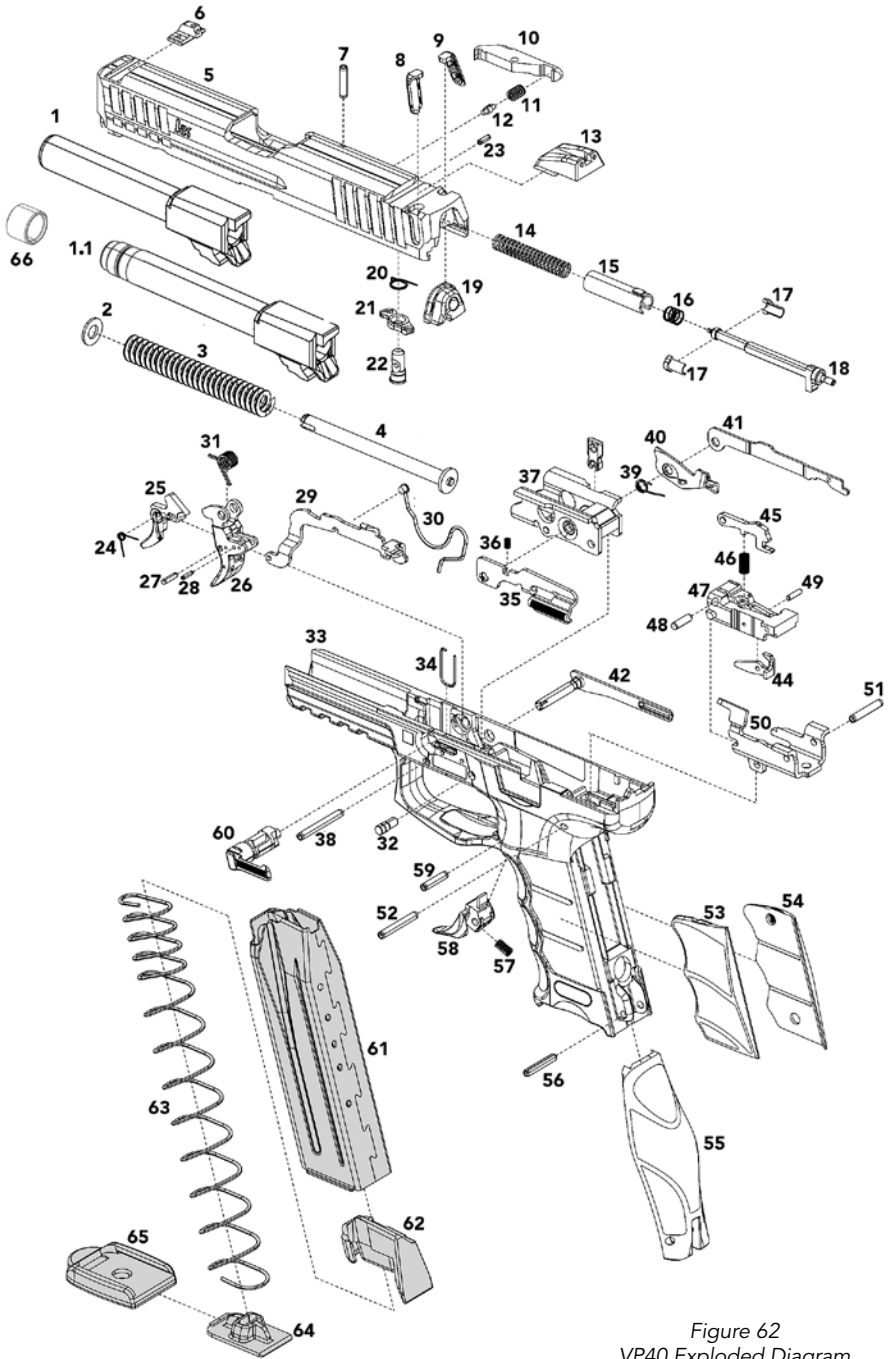


Figure 62
VP40 Exploded Diagram

VP LONG SLIDE PARTS LIST & EXPLODED VIEW

Item	Description	Part Number	Item	Description	Part Number
Slide, compl. (Item 1 - 19)		253 470	11	Support sleeve.....	260 488
			12	Pressure spring for firing pin.....	260 487
1 Slide.....		253 471	13	Spring washer (2x)	260 489
2 Front sight		971 658	14	Firing pin	223 501
3 Clamping sleeve for extractor		988 891	15	Slide plate.....	260 504
4 Charging support L, left		260 481	16	Elbow spring for firing pin safety.....	260 478
5 Charging support L, right		260 480	17	Firing pin safety	226 316
6 Extractor		218 314	18	Axle for firing pin safety	226 314
7 Pressure spring for extractor.....		218 315	19	Clamping sleeve for axle.....	976 574
8 Rubber plug.....		209 294	20	Barrel	250 868
9 Rear sight.....		946 857	21	O-ring.....	946 312
Firing pin, compl. (Item 10 - 14).....		223 516	22	Recoil spring, complete.....	254 138
10 Main spring.....		239 354			

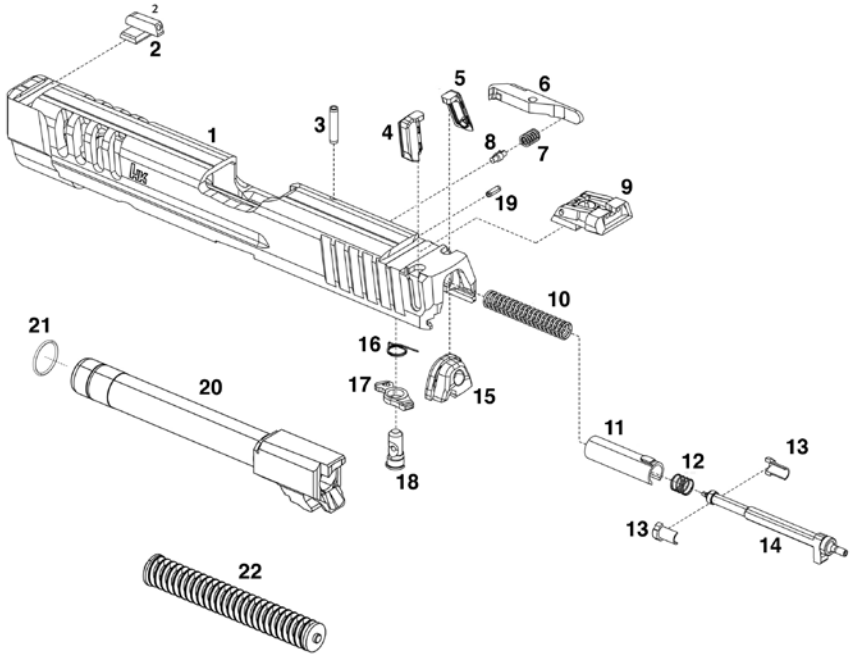
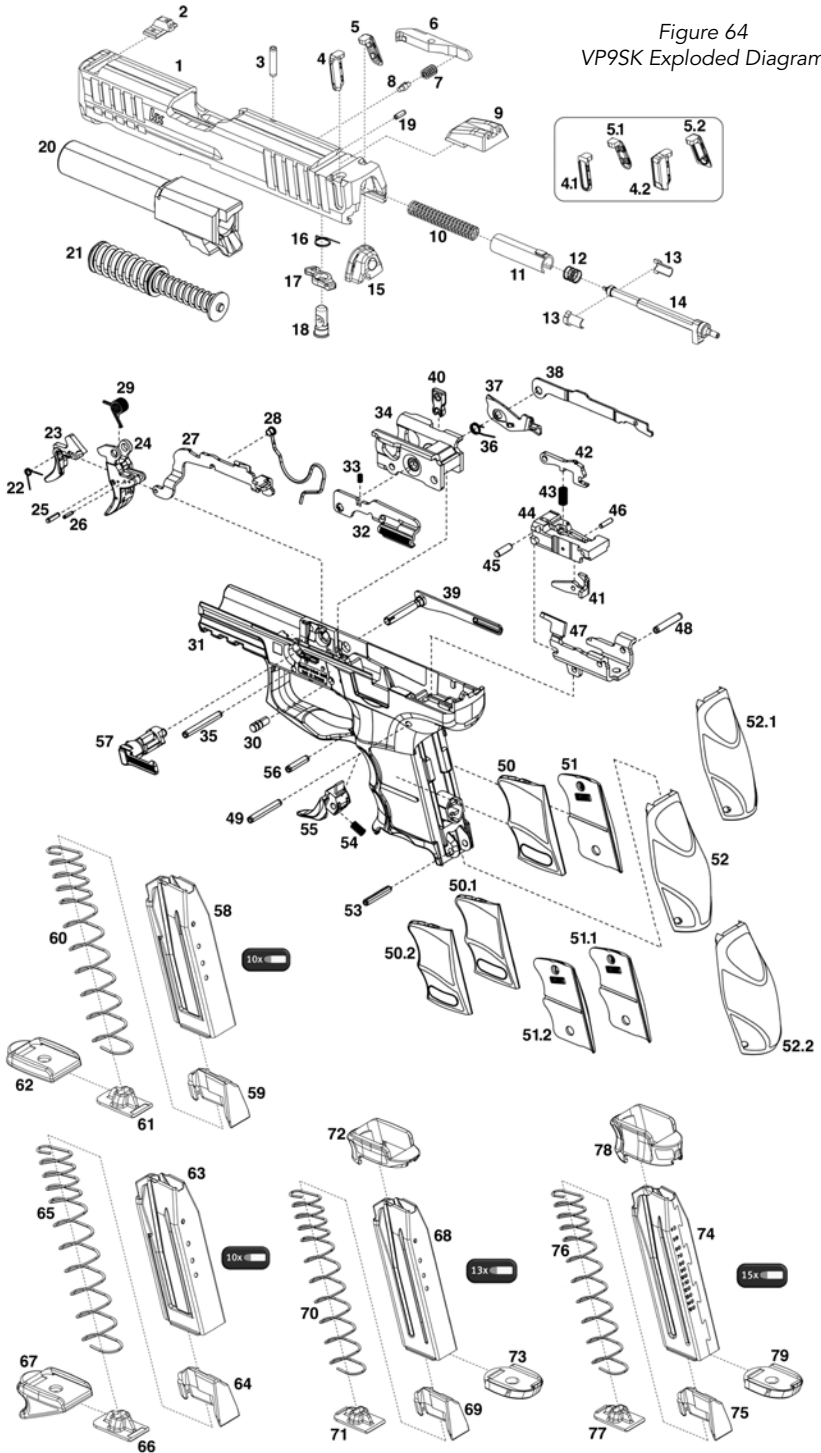


Figure 63
VP Long Slide Kit
Exploded Diagram

VP9SK PARTS LIST & EXPLODED VIEW

Item	Description	Part Number	Item	Description	Part Number
SLIDE & SLIDE COMPONENTS					
-	Slide.....	50246027	41	Sear release catch.....	226319
2	Front sight height 5.9 mm	227711	42	Catch	226317
-	Front sight height 6.1 mm	5023427	43	Pressure spring for catch	223129
-	Front sight height 6.3 mm	5023428	44	Insert.....	223426
-	Front sight height 6.5 mm	234329	45	Cylindrical pin for catch.....	973785
-	Front sight height 6.7 mm	234386	46	Cylindrical pin for sear release catch.....	979581
-	Front sight height 6.9 mm	234387	47	Trigger housing.....	226373
3	Clamping sleeve for extractor	50988891	48	Clamping sleeve for insert.....	50978170
4	Charging support, left (size M)	260481	49	Clamping sleeve for trigger housing.....	975715
4.1	Filler piece, left.....	260483	50	Side panel (grip shell), left (size M).....	239296
4.2	Charging support, left (size L).....	239261	50.1	Side panel (grip shell), (size S).....	50239811
5	Charging support, right (size M)	260480	50.2	Side panel (grip shell), left (size L)	50239814
5.1	Filler piece, right.....	260482	51	Side panel (grip shell), right (size M)....	50239297
5.2	Charging support, right (size L)	239260	51.1	Side panel (grip shell), right (size S)....	50239812
6	Extractor	218314	51.2	Side panel (grip shell), right (size L)....	50239815
7	Pressure spring for extractor.....	50218315	52	Back strap (size M)	239295
8	Rubber plug.....	50209294	52.1	Back strap (size S)	50239810
9	Rear sight.....	50234323	52.2	Back strap (size L).....	50239813
	Firing pin, compl. (Item 10 - 14)	223516	53	Clamping sleeve for back strap	50978170
10	Main spring.....	50226233	54	Pressure spring for magazine catch	50215929
11	Support sleeve.....	50260488	55	Magazine catch.....	260500
12	Pressure spring for firing pin.....	50260487	56	Clamping sleeve for magazine catch....	50988891
13	Spring washer (2x)	50260489	57	Disassembly lever	50239738
14	Firing pin.....	223501	MAGAZINES AND MAGAZINE COMPONENTS		
15	Slide plate	50260504	-	Magazine 10 rds., compl. (Item 1-5)	223515
16	Elbow spring for firing pin safety.....	50260478	58	Magazine housing	207162
17	Firing pin safety	50226316	59	Follower	215836
18	Axle for firing pin safety.....	50226314	60	Magazine spring	207218
19	Clamping sleeve for axle	50976574	61	Magazine locking plate	202693
20	Barrel	239333	61	Magazine floorplate	234298
21	Recoil spring, complete.....	239865	-	Magazine with hooked finger rest 10 rds., complete (Item 6-10).....	239363
FRAME AND FRAME COMPONENTS					
-	Frame, compl. (Item 1 - 36)	239288	63	Magazine housing	207162
-	Trigger, compl. (Item 1 - 5)	223434	64	Follower.....	215836
22	Elbow spring for trigger safety	260459	65	Magazine spring	207218
23	Trigger safety	260458	66	Magazine locking plate.....	202693
24	Trigger	223435	67	Floorplate with hooked finger rest	239284
25	Axle for trigger safety	975812	-	Magazine 13 rds., complete (Item 1-6)....	226345
26	Stop pin for elbow spring.....	967947	68	Magazine housing	215842
27	Trigger bar	223438	69	Follower.....	215836
28	Shaped spring for trigger bar, compl. ..	50250852	70	Magazine spring.....	214212
29	Elbow spring for trigger.....	223565	71	Magazine locking plate.....	215844
30	Stop bolt for trigger.....	260440	72	Extension	50226337
31	Frame.....	50245707	73	Magazine floor plate.....	50226338
32	Slide release, left	260431	-	Magazine 15 rds., compl. (Item 7-12).....	226346
33	Pressure spring for slide release	260454	74	Magazine housing	234318
34	Locking block.....	239294	75	Follower.....	215836
35	Clamping sleeve for locking block	226312	76	Magazine spring.....	215118
36	Elbow spring for disassembly safety.....	260429	77	Magazine locking plate.....	215844
37	Disassembly safety	260430	78	Extension	50226341
38	Disconnecter.....	223452	79	Magazine floor plate.....	50226338
39	Slide release, right.....	260498			
40	Safety clamp	260436			
-	Trigger housing, compl. (Item 20 - 27)	223436			

Figure 64
VP9SK Exploded Diagram





HECKLER & KOCH
5675 Transport Boulevard
Columbus, Georgia 31907
United States of America
Tel: (706) 568-1906
Fax: (706) 568-9151
USA Website: www.hk-usa.com