

# Charles Daly®

The Shooting Sports Specialist™

SAFETY & INSTRUCTION MANUAL

## 301 Pump Shotgun



READ THE INSTRUCTIONS & WARNING IN THIS  
MANUAL CAREFULLY BEFORE USING THIS FIREARM

## PURCHASER'S RECORD

Model # \_\_\_\_\_

Purchase Date: \_\_\_\_\_

Gauge/Caliber: \_\_\_\_\_

Serial #: \_\_\_\_\_

Purchase Price: \_\_\_\_\_

Store Name: \_\_\_\_\_

**Charles Daly®**

# TABLE OF CONTENTS

Warnings.....	4
Safety Rules.....	5
Identifying Marking.....	7
Descriptions & Specs.....	7
Assembly.....	8
Disassembly.....	8
Loading One Shell.....	9
Fully Loading Your Shotgun .....	9
Usage of Choke Tubes.....	10
Cleaning & Maintenance .....	11
Exploded View & Parts List .....	12-13
Warranty Conditions .....	14-15



**WARNING - DO NOT DRY FIRE**

# WARNINGS

The manufacturer is not responsible for damage to objects caused by misuse of the firearm or for injuries to persons or animals, or in case of death, caused voluntarily or involuntarily by the firearm user. The manufacturer is not responsible for injuries caused by poor maintenance, misuse of the firearm, unauthorized or improper modifications.

The manufacturer declines responsibility for the indirect consequences of any injuries and/or death of persons or animals, damage to objects caused by use of the firearm or by primer explosion, by bullet's ricochet, or unsafe loading practices and/or procedure.

Read the entire manual and learn the proper use of the firearm without live ammunition. It is important that you understand the proper use of this product. The life of the people close to you may depend on your safe behavior.

If the manual is not clear, please contact the dealer where you bought the firearm or call the distributor or the manufacturer by using the contact information provided within this manual.

**The manufacturer declines any responsibility for misuse of the firearm. In case of alteration of the firearm, The manufacturer declines any civil and penal responsibility and will not refund any damage.**

**Quality Inspection:** Every firearm is thoroughly inspected by the manufacturer, for function and cosmetic blemish, prior to shipment.

Firearms produced in our U.S. facility or Turkey are scrupulously tested at the manufacturing premises.

**⚠ WARNING: Discharging firearms in poorly ventilated areas, cleaning firearms, or handling ammunition may result in exposure to lead or other substances known to the State of California to cause birth defects, reproductive harm, and other serious physical injury. Have adequate ventilation at all times. Wash hands thoroughly after exposure.**


**ANY LEGAL DISPUTE WILL BE UNDER THE JURISDICTION OF A COURT IN THE STATE OF OHIO - USA, OR IN THE COURT OF BRESCIA - ITALY, AT OUR DISCRETION**

# SAFETY RULES

1. Read the instructions carefully before use. Reading the manual and careful examination of the gun are fundamental to avoid any kind of problem.
2. Be aware that you are handling a firearm; therefore your knowledge and behavior may affect your life and those of the people close to you.
3. Guns and ammunitions must be kept in separate places.
4. Always keep guns and ammunitions out of reach of children.
5. Store the gun in a clean, dry and airy place after use to avoid rust in mechanical parts that may cause serious problems in functioning after a period of inactivity.
6. The gun must always be stored unloaded, always check that the chamber is empty.
7. Keep away from open flames or heating sources.
8. Never leave a loaded gun unattended.
9. Never leave the weapon loaded, it could fall and cause injury and death. Always point the gun in a safe direction, and handle it as though it were loaded. This is especially important when loading and unloading the gun and when handing it to someone else. Never take someone's word that it is unloaded. Always make sure the gun is unloaded before laying it down or handing it to someone else.
10. After use, clean and lubricate the inside of the barrel with appropriate oil. Grease or oil build up can cause excessive pressure and result in serious personal injuries. Before using the gun again, inspect the barrel and chamber to make certain that there are no obstructions in the bore. Remove any oil residue with rod and dry patch before shooting.
11. Accumulation of rust in the barrel can cause excessive pressures resulting in serious injury and may cause the explosion of the barrel. A rusted, pitted or eroded barrel should be replaced.
12. Before shooting always check to ensure that the barrel is free of obstructions.
13. Never force a jammed action, this act could cause explosion of the round and consequent injury.
14. Use factory loaded ammunition of the caliber specified on the firearm barrel. Use of different calibers may cause serious personal injuries to you and to people close to you.
15. In case of misfire, manually extract the cartridge from the chamber. If firearm fails to fire when trigger is pulled, as a result of slow primer ignition (hang fire), keep muzzle pointed downrange for a minimum of 30 seconds. If the round does not fire, remove the magazine, clear the weapon and examine the ejected, unfired cartridge. If the indent from the firing pin is off center, light or absent, take the gun to a competent gunsmith. If the indent appears normal compared to other rounds, assume a faulty round, separate from other cartridges, reload and continue shooting.
16. Do not attempt to re-use unexploded ammunitions.
17. Never modify any parts of your gun. Any alteration may cause serious personal injury and voids the warranty.
18. Only a qualified gunsmith may service the gun for repair or serious maintenance.
19. Pay great attention during transportation and use. Mechanical safety devices can fail. Developing intelligent, good safety habits is the best way to prevent accidents.

# SAFETY RULES

20. Never rest your finger on the trigger until the very moment you wish to shoot. Always keep the safety on until you are ready to safely shoot at an intended target. Note: Safety devices on guns are extras and are not a substitute for your proper and safe handling practices.
21. Always keep the gun unloaded when transporting it from home to the shooting areas. Carefully check that cartridge chamber is empty.
22. When you walk around with the gun in a shooting area, always keep the muzzle pointed in a safe direction.
23. Never run with a loaded gun, do not cross any obstacle (fences or water courses, etc.) or walk where there is any possibility of slipping or falling without having your firearm unloaded and in safety position.
24. When selecting a place to shoot, always be absolutely sure of your target and the area behind it before you touch the trigger, making sure there is an adequate backstop which will stop and contain bullets. A bullet can travel through or past your target with a range up to 1.5 miles. If you have any doubt, do not shoot.
25. Never shoot against a solid surface or in a pool of water, the projectiles could ricochet and shoot toward any direction. Do not shoot up into the sky.
26. Keep all bystanders behind you, standing beside a shooter is not a safe position. Make sure all other shooters and bystanders are well away from the ejection port.
27. Do not smoke while handling, loading or shooting any ammunition, especially black powder. Keep black powder in a closed container at all times, re-closing the container after each and every use.
28. Never drink alcoholic beverages or take any drugs before or during shooting, as this not only constitutes criminal disregard for your safety and that of others, but will seriously impair your judgment and vision. Never use a gun while you are taking medication unless you have checked with your doctor to ensure your fitness to handle the gun safely.
29. Always wear and encourage others near you to wear proper ear protection when shooting, especially on a range since the noise from your gun and other guns close to you, could result in permanent hearing loss.
30. Always wear protective shooting glasses to protect your eyes from injury by gun powder, gas, lubricant, dirt or metallic particles, carbon residue, sparks or other debris.
31. Wash hands thoroughly after shooting and handling firearms to remove any unwanted residues.
32. Never leave the loaded firearm or the loaded magazine in the sun.
33. By replica firearms there is no modern safety. In this case you must pay even more attention to safety rules.

 **Remember:** No mechanical safety device is infallible. The user is responsible for injuries or damages caused to him or to other persons. Complete knowledge of your firearm can make the difference.

# IDENTIFYING MARKINGS

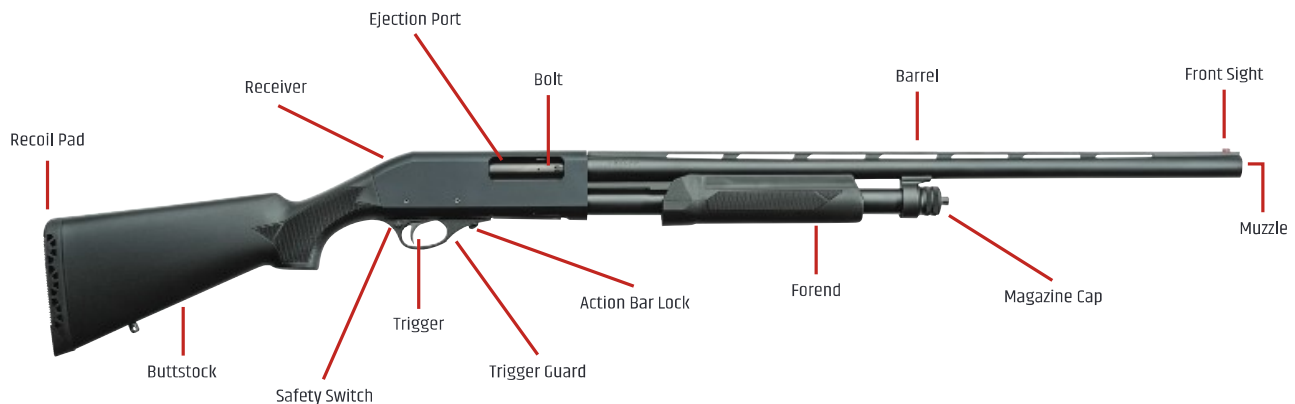
Every gun we produce has a serial number that is marked on the receiver/frame. Close to the serial number you will also find the manufacturers information with the model name and caliber marked either on the frame or the barrel as required by law.

**These markings must not be removed from the firearm for any reason.**

## DESCRIPTION & SPECS

The 301 shotgun is manually operated. Once a shell has been fired, the locking lug in the bolt moves down, unlocking the gun. The forearm can then be moved to the rear and forward again, ejecting and loading a new shell. To open the bolt without firing the gun, depress the action bar lock, located just beside and forward of the trigger. This allows for opening the action without dry firing. The magazine tube will only accept (5) 2-3/4" shells or (4) 3" shells.

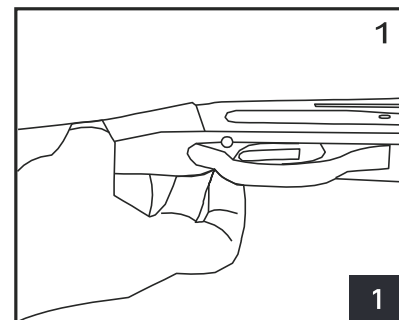
## NOMENCLATURE



## SAFETY SELECTOR/BUTTON

The safety is designed to stop the trigger mechanism. **Do not rely on your firearms' safety, treat every firearm as if it were loaded and ready to fire.** The safety on any gun is a mechanical device, and it is not intended as a substitute for common sense or safe firearms handling. Always keep the muzzle pointed in a safe direction.

- A. The safety is located behind the trigger, and provides protection against accidental or unintentional discharge under normal usage when properly used.
- B. To engage the safety, push the button so that it protrudes from the right side of the gun and **RED BAND MARKING CAN**



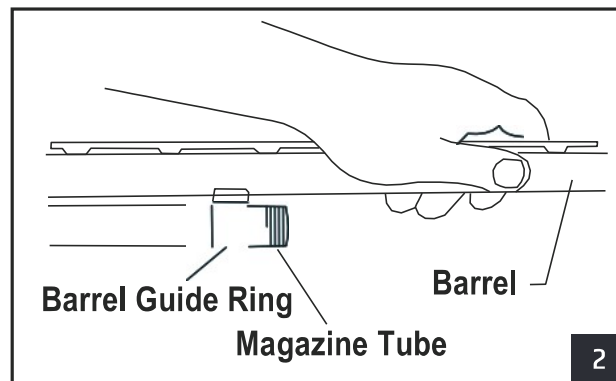
**NOT BE SEEN.** The safety should always be in the “on” or “safe” position until you intend to fire the gun. (Fig. 1)

- C. When you are ready to fire the gun, press the safety button to the “off” position so that the safety protrudes from the left side of the gun and the **RED BAND MARKING IS SHOWING.**

**⚠ DANGER:** The gun will fire when the trigger is pulled intentionally or accidentally when the **RED BAND MARKING IS SHOWING.**

## ASSEMBLY

1. Remove the magazine cap.
2. Press upward on the action bar lock. Pull the forearm approximately half way rearward.
3. Hold the barrel ahead of the barrel guide ring. (Fig. 2)



4. Slide the barrel guide ring over the magazine tube. Clean the barrel following the instructions. (See **Maintenance & Cleaning**)
5. Press upward on the action bar lock.
6. Align the ejector on the inside of the barrel with the slot in the bolt.
7. Carefully set the barrel into the receiver. **DO NOT FORCE IT.**
8. Replace and the magazine cap. Tighten.

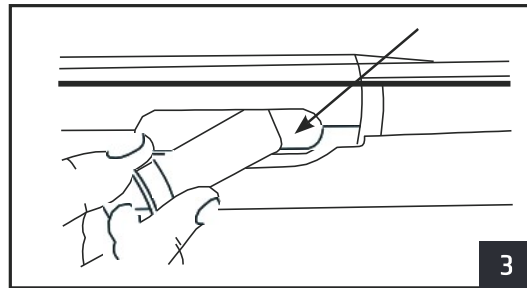
## DISASSEMBLY

1. Make sure the gun is unloaded.
2. Point firearm in safe direction.
3. Push up on the action bar block
4. Slide forearm forward half way.
5. Unscrew and remove the magazine cap.
6. Pull the barrel carefully out of the receiver.
7. Push the carries forward.
8. Press and hold the action bar lock.
9. Slide the forearm forward and off the magazine tube.



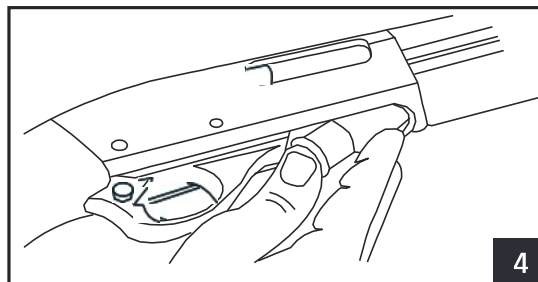
## LOADING ONE SHELL

1. Put safety in the “on” position.
2. Point the gun in a safe direction.
3. Push up on the action bar lock.
4. Pull the forearm completely to the rear and carefully hold it for the return spring models.
5. Put one shell through the ejection port, making sure it is the correct gauge and length. (Fig.3)
6. Push the forearm forward and close the action.



## FULLY LOADING YOUR SHOTGUN

1. Put safety in the “on” position.
2. Point the gun in safe direction.
3. Push up on the action bar lock.
4. Pull the forearm completely to the rear and carefully hold it for the return spring models.
5. Put one shell through the ejection port, making sure it is the correct gauge and length. (Fig.3)
6. Push the forearm forward and close the action.
7. Push a shell upward against the bottom of the carrier (Fig.4)
8. Push two to four shells, one at a time, fully forward into the magazine tube.



**For the models with return spring in the forend, you do not need to push the forearm to close the action. This will be done automatically, by the help of the spring. The spring will close the action at a very fast rate. Use caution and watch out for your fingers and loose clothing.**

# USAGE OF CHOKE TUBES

The choke controls how open or tight the pattern of the shot will be. The chart below list the chokes available (from open to tight), and the corresponding marks that indicate the specific choke.

	SKEET	IC	M	IM	F
CHOKE TUBE					
BBLS	CL	★★★★	★★★	★★	★

Never fire your shotgun or run cleaning tools through a barrel that uses a choke tube without having a choke installed. The threads of the choke tube and the internal threads of the barrel should be cleaned after each use and before installation of the tube.

To install a tube, insert the tube into the top of the barrel and tighten with your fingers. Once the tube is finger tightened, tighten the rest of the way with the appropriate choke tube wrench until the tube is snug. **Do not over tighten or forcefully tighten with wrench.**

## **⚠ WARNING: Steel Shot Usage**

The choke (bore constriction) in all modern shotguns has been established based on the pattern performance of shot shells loaded with lead shot. When using steel shot shells you will notice a different performance in pattern density versus the established lead shot pattern, because the steel shot is harder and lighter than lead shot.

**You should be aware of the following differences and cautions: Never shoot steel shot loads in a full chokes barrel or an improved modified choked barrel. Doing so, might cause the barrel to swell or rupture.** In general, steel shot fired with a modified choke will produce the equivalent of a lead full choke pattern. This will be true of all steel shot sized up to an including No. 2. The established improved cylinder chokes will produce the equivalent of a (lead) modified pattern.

All steel shot larger than No. 2, and including special sized such as F, T, etc., should be used only with improved cylinder chokes. These steel shot sizes, when used in an improved cylinder choke, will produce the equivalent to (lead) full choke patterns. The established cylinder choke or bore will produce the equivalent of a modified (lead) pattern.

Additional information concerning the use of steel shot is available from the ammunition companies.

# CLEANING & MAINTENANCE

**⚠ CAUTION: Make sure the gun is unloaded.**

1. Make sure the broad, polished finely fitting mating surface of the breech block and receiver is specially clean and lightly oiled with high quality gun oil. Do not use silicone, lanolin or WD-40.
2. Run an oil patch through the bore with a cleaning rod starting from the breech end. To prevent leading, use a cleaning solvent and brass brush to clean the bore periodically. Follow this cleaning with one or two clean oil patches. **Important:** If your gun is equipped with choke tubes, do not use a brass brush to clean the barrels without having a choke tube installed. Barrels that utilize choke tubes must also have the choke tubes removed to clean and oil the threads inside the barrel and the choke tubes themselves. This will protect the threads and prevent dirt build up that can cause tubes to become difficult to remove.

Never fire your gun without choke tubes snugly tighten in barrels. Do not over tighten choke tubes. Wipe all exposed metal surfaces with an oiled cloth before storing. Do not squirt or pour oil into the mechanism because it may hamper proper functioning and will soak into the wood. After extended periods of heavy use, your gun should be taken to a qualified gunsmith to have the action disassembled for professional cleaning and lubrication.

3. If applicable, care for your wood stock and forearm the same way you would a piece of furniture with the same finish.

## STORAGE

Clean thoroughly and oil your firearm before storage. Store the firearm in a case to prevent scratches and dents. Store your firearm in a dry place to prevent corrosion. **Store the firearm away from children and in a place where it cannot be obtained by those unauthorized to use it. Always store firearm unloaded and separately from and ammunition.**

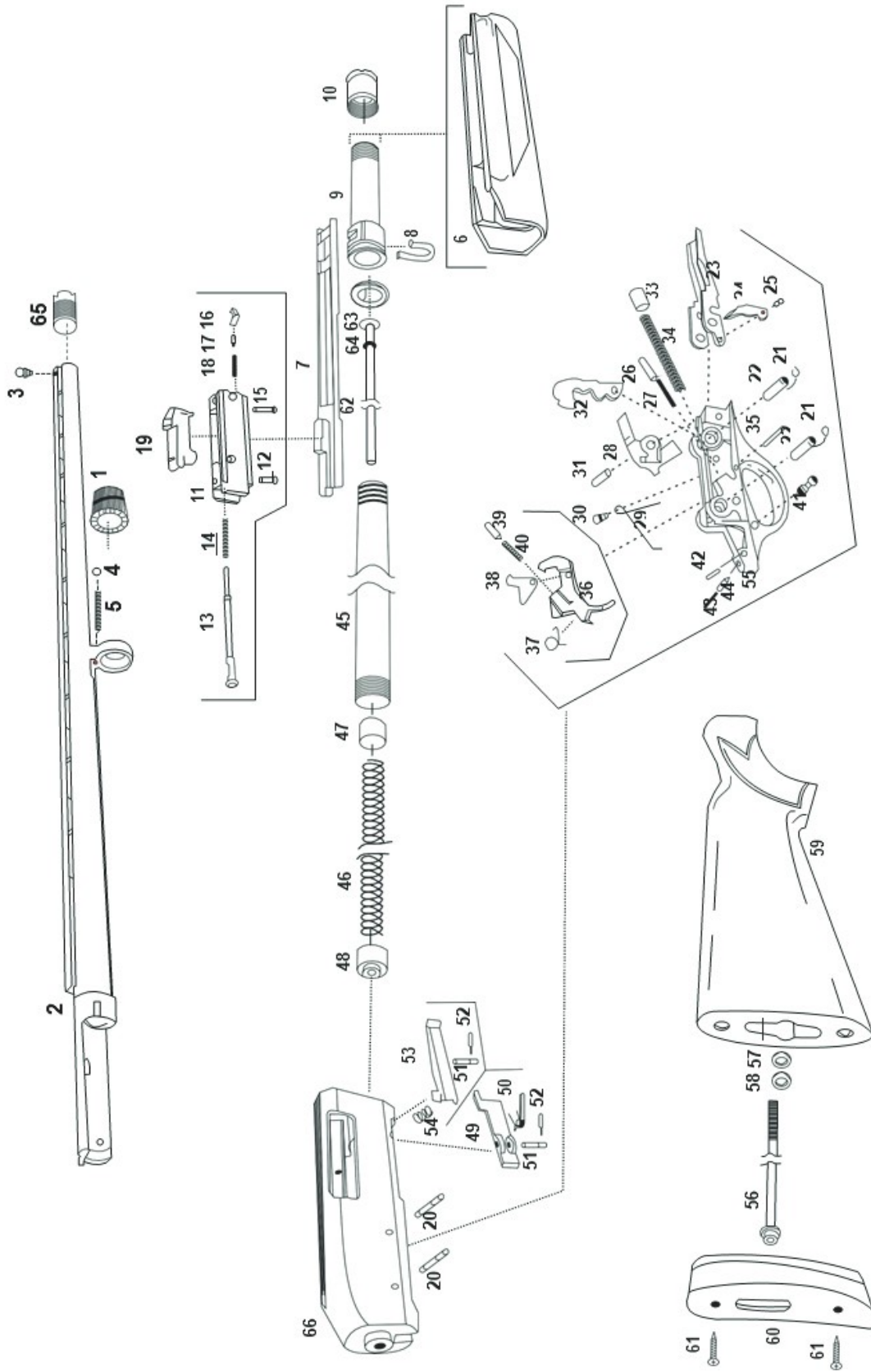
## HAZARDOUS MATERIAL WARNING

Discharging firearms in poorly ventilated areas, cleaning firearms, or handling ammunition, may result in exposure to lead and other substances known to cause birth defects, reproductive harm, and other serious injury. Have adequate ventilation at all times. Wash hands thoroughly after exposure.

## THANK YOU

Thank you for purchasing your firearm from us. We are certain it will bring you years of hunting and/or shooting pleasure. Your satisfaction is the key to our success. Please let us know if we can be of service and relay and observations about your firearms' performance or appearance.

# EXPLODED VIEW



# PARTS LIST

Part #	Description		
1	Magazine Cap	42	Detent, Safety
2	Barrel	43	Spring, Safety Detent
3	Front Bead	44	Pin, Safety Spring Retaining
4	Detent, Magazine Cap	45	Magazine Tube
5	Spring, Magazine Cap Detent	46	Spring, Magazine
6	Forearm	47	Magazine Spring Retainer
7	Action Bar	48	Magazine Spring Follower
8	Clip, Side Arm Retainer	49	Feed Latch
9	Forearm Tube	50	Spring, Feed Latch
10	Nut, Forearm Tube	51	Pin, Latch Pivot (2)
11	Bolt Body	52	Retainer, Latch Pivot (2)
12	Pin, Firing Pin Retaining	53	Shell Stop
13	Firing Pin	54	Spring, Shell Stop
14	Spring, Firing Pin	55	Trigger Guard Housing
15	Pin, Extractor Retaining	56	Bolt, Stock
16	Extractor	57	Washer, Flat Stock Bolt
17	Plunger, Extractor	58	Washer, Lock Stock Bolt
18	Spring, Extractor	59	Stock
19	Locking Block	60	Recoil Pad
20	Pin, Trigger Frame (2)	61	Screw, Recoil Pad (2)
21	"D" Ring, Trigger Frame Pin (2)	62	Magazine Blocker
22	Tube, Trigger Frame Pin (2)	63	Retainer, Magazine Blocker
23	Lifter	64	"E" Clip, Magazine Blocker
24	Lifter Dog	65	Choke Tube
25	Pin, Lifter Dog		
26	Cap, Lifter Dog Spring		
27	Spring, Lifter Dog		
28	Action Bar Lock		
29	Spring, Action Bar Lock		
30	Stud, Action Bar Lock Spring		
31	Pin, Hammer Pivot		
32	Hammer		
33	Cap, Hammer Spring		
34	Spring, Hammer		
35	Pin, Trigger Pivot		
36	Trigger		
37	Spring, Trigger		
38	Sear		
39	Cap, Sear Spring		
40	Spring, Sear		
41	Safety		

# WARRANTY CONDITIONS

This warranty only applies to Charles Daly products imported by Chiappa Firearms USA, Ltd. and purchased in the USA.

The manufacturer guarantees that our products are scrupulously checked against defects in materials, workmanship, aesthetics and functioning problems.

In case you find a defect in one of our products, you should immediately contact Chiappa Firearms USA, Ltd. All warranty work will be performed by Chiappa Firearms USA, Ltd.

**⚠ ATTENTION:** All customers returning product for warranty service must first obtain an RMA (Return Merchandise Authorization) from Chiappa Firearms USA, Ltd. The request for an RMA (Return Merchandise Authorization) may be obtained through our web site, email or phone. Information required is name and address, model, serial number, and defect. It is the customer's responsibility for adequately packaging the product to prevent shipping damage. Any damages occurred during transportation and handling will be the customer's responsibility.

The Charles Daly 5-year warranty guarantees for two years after the original purchase date of the original owner, free parts and labor for defects which have been found during use; wear of parts which shouldn't be subject to wear, or excessive wear of parts subject to wear and further supply free parts for an additional 3 years except for wood. Wood is covered for 1 year. The customer must provide evidence they are the original owner and proof of the purchase date with a receipt or other valid proof.

In the event a defect which is covered by this guarantee is not repairable, the manufacturer will provide for a free substitution of the product.

**THE MANUFACTURER RESERVES THE RIGHT OF DEFINING THE TYPE OF DEFECT OF THE FIREARM AND THEREFORE TO STATE WHETHER THE DEFECT IS COVERED BY GUARANTEE.**

The manufacturer's decision will be fair but final. Should the manufacturer become aware of a defect of a product during the guarantee period, the defective part will be replaced free of charge.

The guarantee does not cover parts subject to wear and corrosion. For assistance in obtaining an RMA (Return Merchandise Authorization), please contact Chiappa Firearms USA, Ltd. at (937) 835-5000 or email at [service@chiappafirearms.com](mailto:service@chiappafirearms.com).

**⚠ ATTENTION: DELIVERY EXPENSES TO AND FROM THE SERVICE CENTER ARE NOT COVERED BY THE GUARANTEE AND WILL BE CHARGED TO THE CUSTOMER.**

# WARRANTY CONDITIONS

## The Guarantee Is Void In Case:

- Inadequate ammunition has been used (any ammunition but those commonly on sale, reloaded ammunition, different from caliber and specification indicated on the firearm barrel)
- The product failed to be provided proper maintenance and cleaning
- The product has been modified without our prior consent
- Unauthorized, inadequate or incorrect repairs have been carried out
- Non-original spare parts were used
- Parts subject to wear and corrosion
- Damage (improper use of the gun by the user)
- Expired guarantee

**In the above cases the repair, if completed, will be charged to the customer.**

In case, for any valid reason, you do not have the possibility to obtain repair under guarantee at the shop where you bought the product, you may contact us directly for warranty service or questions:

Chiappa Firearms USA, Ltd.  
1415 Stanley Ave, Dayton, OH 45429  
Tel: (937) 835-5000  
Email: [info@chiappafirearms.com](mailto:info@chiappafirearms.com).

**THIS MANUAL MUST ALWAYS FOLLOW THE PRODUCT,  
ALSO IN THE EVENT OF NEW OWNERSHIP.**

## Warranty Procedures:

First, register your product on our website: <http://www.charlesdaly.com>. Then use one of the following methods to submit a Repair Request:

- **Website:** Fill out the Repair Request form on our website.
- **Email:** [service@chiappafirearms.com](mailto:service@chiappafirearms.com) with subject as "Repair Request" and include: Name, Address, Email, Phone, Serial #, Model, Description of Problem.
- **Phone:** Call 937-835-5000

Chiappa Firearms USA, Ltd. will issue an RMA (Return Merchandise Authorization) with return instructions using the email provided in Repair Request.

# RETURN MERCHANDISE FORM

To return your firearm for any reason, please call Customer Service at 937-835-5000 for return authorization.

## Customer Information

Name: \_\_\_\_\_ RMA# \_\_\_\_\_

Address: \_\_\_\_\_

City: \_\_\_\_\_ State: \_\_\_\_\_ Zip: \_\_\_\_\_

Phone: \_\_\_\_\_ Best Time to Call: \_\_\_\_\_

Email: \_\_\_\_\_

## Product Information

Model: \_\_\_\_\_

Serial #: \_\_\_\_\_

## Gun Shop/ Dealer

Purchase Date: \_\_\_\_\_

Dealer Name: \_\_\_\_\_

Dealer Address: \_\_\_\_\_

## Description of Defect

---

---

---

---

 **Remember:** Attach Proof of Purchase w/ Date









# Charles Daly®

The Shooting Sports Specialist™

---

**CHARLESDALY.COM**

---

1415 Stanley Ave | Dayton, OH 45404 | Tel: 937-835-5000 | Email: [info@charlesdaly.com](mailto:info@charlesdaly.com)

Exclusively Distributed By:

**CHIAPPA®**  
f i r e a r m s