

TAVOR® 7

SEMI-AUTOMATIC RIFLE

7.62X51mm



OPERATOR MANUAL



Read the instructions and warnings in this manual carefully. Understand them before using this firearm. If there is anything you do not understand, seek advice from your retailer, someone qualified in the safe handling of firearms, or contact IWI US, Inc. Tel: +1 (717) 695-2081 or service@iwi.us.

This Operator Manual should always accompany this firearm. It should be transferred upon change of ownership, or when the firearm is loaned or transferred to another person.



***Congratulations on your purchase of
the TAVOR[®] 7 SEMI-AUTOMATIC RIFLE.***

Your Packaging Includes.

1. Quick-Detachable Sling Swivels (2)—in small bag
2. Magazine (1)
3. Literature Packet
 - This Manual
 - NSSF Firearms Safety Depends on You Pamphlet
 - NSSF Firearms Responsibility in the Home Pamphlet
 - 18U.S.C. §922(r) and 27CFR §478.39 Regulatory Compliance Notice if applicable
 - IWI US, Inc. Limited Product Warranty Card
 - National Rifle Association (NRA) Application
 - IWI Sticker
4. Gun Safety Cable Lock
5. Protective VCI Bag

*If you notice that anything is missing from the above listing,
please contact IWI US, Inc. customer service at either
service@iwi.us or call*

Tel: +1 (717) 695-2081.

We appreciate your business.

IWI US, Inc.

TABLE OF CONTENTS

1	Warnings/Safety Precautions	3
2	About This Document	5
3	General Safety Rules and Procedures	7
4	Firearms Safe Home Storage Checklist	15
5	General Description	16
5.1	Features	16
5.2	Function Overview	17
5.3	Specifications	17
5.4	Ammunition.....	18
5.5	External View	19
5.6	Foregrip.....	21
5.7	Gas Regulator	22
5.8	Safety Levers Positions	24
5.9	Using the Cable Lock.....	25
6	Operating Instructions	27
6.1	Preparation for Firing	27
6.1.1	Unloading and Safety Check.....	28
6.1.2	Function Test	29
6.2	Loading.....	31
6.3	Firing.....	33
7	Disassembly & Assembly Instructions	35
7.1	Recoil Mechanism	36
7.1.1	Removal.....	36
7.1.2	Installation	37
7.2	Gas Regulator and Piston Assembly	38
7.2.1	Removal.....	38
7.2.2	Installation.....	39
7.3	Sear Mechanism.....	40
7.3.1	Removal	40

7.3.2	Installation	41
7.4	Hand Grip Assembly	42
7.4.1	Removal.....	42
7.4.2	Installation	43
7.5	Foregrip Assembly.....	44
7.5.1	Removal	44
7.5.2	Installation	45
7.6	Secondary Disassembly/Assembly	46
7.6.1	Recoil Mechanism.....	46
7.6.1.1	Disassembly	46
7.6.1.2	Assembly.....	47
7.6.2	Foregrip Assembly.....	48
7.6.2.1	Disassembly	48
7.6.2.2	Assembly	48
8	Exploded View.....	50
9	Maintenance	51
9.1	Pre-Firing Maintenance	51
9.2	Post-Firing Maintenance.....	51
10	Cleaning Gun for Storage.....	53
11	Conversion to Left Hand Operation	55
12	Troubleshooting.....	59
13	Limited Product Warranty.....	62
14	Repair Services	65

1 Warnings/Safety Precautions



CARDINAL RULES OF FIREARMS SAFETY

- Treat all guns as if they were loaded.
- Point the muzzle in a safe direction at all times. (A “safe direction” is one in which no one would be injured if the gun were to discharge.)
- Keep your finger off the trigger and outside the trigger guard straight along the frame until you are on target and intend to fire.
- Be sure of your target, what's around and beyond it.
- When you pick up a gun that, even for an instant, has been out of your direct, continuous control, while following the above rules, open the gun's action (recoil mechanism) and determine whether or not the gun is loaded.
- All guns left unattended, even briefly, must be made inoperable or inaccessible to children and other unauthorized users.



WARNING! Careless and improper handling of this rifle could result in unintended discharge, causing injury, death and/or property damage. Safety must be the first and constant consideration when handling a firearm and ammunition.

SAFETY DEPENDS ON YOU.



WARNING! Prior to removing this rifle from its packaging, and prior to handling, loading and firing, carefully and thoroughly read and understand this entire Operator Manual. Your safety and that of others (including your family) depends on your responsible compliance with that advice, good judgment and common sense. Firearms safety depends on YOU. You cannot forget, you cannot overlook, you cannot allow yourself to be distracted, and you cannot become complacent or casual with firearms.

There are no “foolproof” firearms. Once a shot is fired, it cannot be called back. A firearm in your hands can cause unintended death or serious bodily harm if you fail to follow safe gun handling rules and practices such as those contained in this manual.

Remember, firearms safety depends on YOU!

If unfamiliar with firearms, seek supervised instruction from a certified firearms instructor.



WARNING: 18 U.S.C. § 922(r) and 27 CFR § 478.39

Your TAVOR® 7 rifle is assembled by IWI US, Inc. from parts made in Israel and the US and complies with all US laws and regulations governing the assembly of semi-auto rifles in the US from foreign and US parts.

If you use a non-US made magazine or non-US made muzzle device (flash suppressor, muzzle brake, etc.) on your TAVOR 7, you may be in violation of the above Federal regulations.

If you use a non-US cocking guide rod, piston, activator, or disconnecter you may be in violation of the above Federal regulations.

When your TAVOR 7 left the IWI US, Inc. factory, it was in compliance with the above regulations. It is your responsibility to ensure continued compliance with these regulations once the TAVOR 7 is in your possession.

2 About This Document

This manual contains:

- Important **WARNINGS** and **SAFETY PRECAUTIONS** that must be read and understood before using this firearm. **SAFE GUN HANDLING IS YOUR RESPONSIBILITY AT ALL TIMES.** Disregarding the warnings and safety precautions in this manual can result in injury or death to you, others and/or damage to property.
- Directions and procedures for handling, loading, firing, unloading, disassembling and assembling this firearm.
- Instructions for care, cleaning and repair of this firearm.

This Operator Manual is designed to help you learn how to properly and safely use and care for your TAVOR[®] 7. Only when you have fully familiarized yourself with the function of your firearm should you handle your firearm.

This Operator Manual should always accompany the firearm and be transferred with the firearm on change of ownership or possession. Should you ever need to replace it, this manual is available FREE upon request from IWI US, Inc. or on the IWI US, Inc. website at www.iwi.us.

All illustrations and instructions in this manual relate to the right hand shooter configuration.

The illustrations in this manual may differ slightly from the actual product.

Throughout this manual, special references are made when seemed important. Four classifications are used to separate these references by their order of importance.



DANGER! Indicates an imminently hazardous situation which, if not avoided, will result in death or serious injury.



WARNING! Indicates a potentially hazardous situation which, if not avoided, could result in death or serious injury.



CAUTION! Indicates a potentially hazardous situation which, if not avoided, could result in minor or moderate injury or an unsafe practice that can lead to property damage.

NOTE: An indication of particularly important information.

3 General Safety Rules and Procedures



WARNING! This firearm was designed to function properly in its original condition. Do not alter any parts, as this will nullify the warranty. Do not replace any parts unless you are factory-trained to do so and then use only original factory parts from IWI US, Inc.



WARNING! Horseplay has no place around firearms. Guns can't think – you can! **SAFETY DEPENDS ON YOU!**

NOTE: This Operator Manual, and the instructions and warnings contained in it, are intended for the civilian recreational user, target shooter, or hunter, and not necessarily for the law enforcement, security, military, or other “defensive” user. Defensive use of this or any other firearm involves unusual, serious risks, and may at times require deviation from certain safety rules and firearms handling procedures contained in this manual. Such defensive procedures and deviations are beyond the scope of this manual. In order to use such defensive procedures safely requires intensive initial training and qualification from a proper professional source, followed by “in service” training and qualification at appropriate intervals. Anyone who has not been properly and professionally trained in defensive firearms handling procedures must not attempt to use this firearm in any manner other than as set out in this Operator Manual. Doing so can result in death or serious injury.



WARNING! Always handle and treat your firearm as if it were loaded. Never take anyone's word that it is unloaded. Always check it yourself with your finger off the trigger and the rifle pointed in a safe direction. Visually and physically inspect the chamber, bolt face and magazine well to ensure the rifle is free of ammunition. Even after you have confirmed that the rifle is unloaded, continue to treat it as if it were loaded.



WARNING! Never place your finger on the trigger unless you are on target and intend to fire. Instead, keep your trigger finger off the trigger, superior to the trigger guard, straight alongside the frame of the rifle until you intend to fire. Do not pull the trigger or attempt to fire until the safety selector has been moved to the "FIRE" position.



WARNING! Upon firing, a hot, empty shell casing is forcefully ejected from the ejection port. All persons present must wear suitable eye protection, and must stand clear of the case ejection area.



DANGER! DO NOT grasp the forward portion of the trigger guard/hand grip frame with your non-shooting hand or allow any fingers of your non-shooting hand to enter the trigger guard at any time. If you do so, there is a chance your non-shooting hand or fingers could touch the trigger, unintentionally discharging the rifle. This could potentially cause death or serious injury.



WARNING! Keep the gun's muzzle pointed in a safe direction at all times. A safe direction is one in which an unintentionally fired shot will not cause any physical injury or property damage. Never let the muzzle of a firearm point at any part of your body or another person, or in any direction where an injury may result if the rifle were to fire. Always be sure of your target, what's beyond and around it before firing.



WARNING! Always make sure your firearm is not loaded before cleaning, storing, transporting or handing it to another person. Firearms should be transported unloaded and in a protective rifle case.



WARNING! Remember, safety is your responsibility. Be a safe shooter. **SAFETY DEPENDS ON YOU!**



WARNING! Always wear and require others to wear wrap around ANSI or OSHA approved safety glasses while shooting to protect your eyes from injury by ejected shell cases, gun powder gas, lubricant, dirt or metallic particles, carbon residue, sparks, bullet fragmentation from targets or other debris.



WARNING! UNLOAD ALL FIREARMS WHEN NOT IN USE. NEVER STORE A LOADED FIREARM. Firearms and ammunition should be stored separately under lock and key so that they are inaccessible to children or unauthorized users. Never leave any firearm or ammunition, unattended where an unauthorized user might have access to it. At the range, any firearm you lay down on the shooting bench should be unloaded, with its action locked open. Never lean or place a firearm where it could slide or fall, such as leaning it against or placing it on a vehicle. Never let the muzzle of a firearm touch the ground, mud, sand or snow that might obstruct the bore, causing the barrel to burst when you fire. If you drop a firearm, pick it up carefully with it pointed in a safe direction (have all other people move out of the direction of the muzzle), with your finger outside the trigger area and the safety in the "Safe" position. Then unload the firearm, and check to be sure there are no obstructions in the bore. This can be done safely with a cleaning rod, or by disassembling the firearm and looking down the bore from the chamber (rear) end. If there is any possibility of damage to your **TAVOR® 7**, have it inspected by a qualified gunsmith, or return it to IWI US, Inc. for inspection, before you load or fire it again.



WARNING! Always wear and require others to wear commercially manufactured ear protection designed for shooting while shooting. Without ear protection, the noise from your gun, and other guns close to you, could leave a “ringing” in the ears for some time after firing, and could result in permanent hearing loss.



WARNING! Learn the mechanical and handling characteristics of the firearm you are using. Not all firearms are the same, and your TAVOR® 7 firearm has some unique features. Do not assume that just because you have experience with other firearms, you know how to use the TAVOR® 7 firearm properly. Read and understand this manual. If there is anything you do not understand, contact your firearms retailer or IWI US, Inc. at service@iwi.us or telephone Tel: +1 (717) 695-2081.



WARNING! Never climb or descend a tree, fence or wall, jump across a stream or ditch, or attempt to cross an obstacle, ice, or precarious terrain while carrying a loaded firearm. Whenever you are going to do anything where the weapon will not be positively controlled, unload the rifle first!



WARNING! Do not shoot at a hard surface, such as rock, masonry, metal, or at water or ice. The bullet may ricochet and travel in unpredictable directions to strike you or another unintended person or object.



WARNING! A bullet fired into the air can travel several miles and can kill or seriously injure someone when it comes down. Never fire up into the air, or at animal in a tree, or on the crest of a hill.



WARNING! Before hunting with this or any other firearm, take an approved Hunter Safety Course, taught in all states by the state game commission or by the National Rifle Association (NRA). Follow your state's game laws at all times while hunting.



WARNING! If you have not received formal firearms instruction or if you have any doubts about your ability to handle or use this firearm safely, seek supervised instruction from a certified firearms instructor. Information about sources of firearms instruction can often be obtained from your local police department, firearms retailer, gun club, shooting range, state game commission, or from the National Rifle Association ("NRA"), 11250 Waples Mill Road, Fairfax, Virginia 22030, telephone 1-703- 267-1000 or 1-800-672-3888.



WARNING! Firearms and alcohol do not mix. Never drink alcoholic beverages or take drugs before or during shooting. This constitutes criminal disregard for your safety and that of others. Some medications can impair your vision, balance, reflexes, coordination, alertness or judgment. Never use a firearm while you are taking medication unless you have checked with your doctor to ensure your fitness to handle your firearm safely. Do not handle your firearm when you are ill, tired, upset or distracted.



WARNING! If at any time you notice something about the appearance or functioning of your TAVOR® 7 firearm that does not seem proper or that causes you concern, STOP. Unload your firearm immediately, and do not load or fire your firearm until you have it inspected and, if necessary, repaired by a factory-trained armorer or by IWI US, Inc. If you fire your TAVOR® 7 firearm extensively, have it professionally inspected and serviced periodically (annually is a good average interval) by a factory-trained armorer or by IWI US, Inc.



WARNING! Discharging firearms in poorly ventilated areas, cleaning or handling firearms, or handling ammunition may result in exposure to lead and other substances that may cause birth defects, reproductive harm, and other serious physical injury. Have adequate ventilation at all times. Wash your hands and face thoroughly after exposure, especially before eating or drinking. Shooting, handling or cleaning guns may expose you to lead, which is a toxic substance.



REMEMBER, FIREARMS SAFETY DEPENDS ON YOU! THERE ARE NO “FOOLPROOF” GUNS, INCLUDING THE TAVOR® 7. A SINGLE MOMENT OF INATTENTION OR A SINGLE FAILURE TO FOLLOW THESE FIREARMS SAFETY RULES AND WARNINGS CAN RESULT IN TRAGEDY. YOU ARE RESPONSIBLE FOR THE GUN THAT IS IN YOUR HANDS, IN YOUR POSSESSION, OR UNDER YOUR CONTROL. FIRE- ARMS SAFETY DEPENDS ON YOU!



WARNING! Never fire your rifle with water, grease, excess oil, or any other obstruction in the barrel as this could cause damage to the rifle and possible injury to the user. Be sure the barrel is clear of any obstructions before shooting.



WARNING! If you experience a noticeable difference in sound or recoil, **STOP FIRING!** Keep your finger off the trigger and point the firearm in a safe area (see definition of safe area above).

This condition could be caused by an incomplete power burn, a cartridge with a primer but no powder (“SQUIB LOAD”) or too little powder. The round could possibly be lodged in the bore.

Immediately unload the rifle and check for unburned powder residue in the bore and the receiver, or the possibility of a round lodged in the bore. Remove the unburned powder before resuming firing. If a bullet is stuck in the bore, have a qualified gunsmith repair the rifle. Never try to “SHOOT OUT” a bullet stuck in the bore. Firing with unburned powder in the barrel or a bullet stuck in the bore could cause the barrel to explode causing serious injury or death.

4 Firearms Safe Home Storage Checklist

- Firearms naturally attract the attention of children, teenagers and adults alike. Accordingly, it is YOUR responsibility to ensure that your firearms, when unattended, stored or not in use, are secured under lock and key, safely out of the access of all unauthorized users. This is YOUR responsibility, and any mistake or inattention on your part can result in death or serious injury to your loved ones or others.
- Firearms must be securely stored under lock and key in a location inaccessible to children and other unauthorized persons.
- One of the safest ways to store your firearms is in a locking metal gun safe or lockbox. Many models, including ones permitting quick access to the firearm if needed for self-defense, are now available at firearms retailers or via the Internet. Using the cable lock provided with your TAVOR[®] 7 SEMI-AUTOMATIC RIFLE (see Using the Cable Lock on page 25) is a good safety precaution, but not as good as locking your firearm in a metal gun safe, where it is also out of sight and protected from fire, theft, and curious hands.
- Firearms should be unloaded before they are brought into the home.
- All firearms should be immediately cleaned and placed in secure locked storage when they are returned from hunting or target shooting.
- When firearms are removed from storage, they must always immediately be carefully checked to confirm that they are unloaded.
- Ammunition should be stored under lock and key, in a separate location from firearms.
- The operator manual that came with your firearm must be read, understood and followed.

For more information on safe storage and use, refer to the NSSF pamphlets “Firearms Safety Depends on You” and “Firearms Responsibility in the Home”, available for download from the NSSF website at <http://nssf.org>.

5 General Description

DANGER! Like other “bullpup” rifle designs, the standard TAVOR® 7 should be fired only from the right shoulder. Left-handed shooters and others wishing to fire the TAVOR® 7 from the left shoulder, must convert the rifle to left-hand use (see page 55).

Firing the standard TAVOR® 7 from the left shoulder or the TAVOR® 7 converted to left-hand operation from the right shoulder will result in ejected cases striking the shooter in the face with considerable force. This may cause serious eye injury and other injury. Fire the rifle only from the shoulder for which it is set up.

5.1 Features

The TAVOR® 7 features include:

- Rear center of gravity
- Body made of reinforced polymer
- Metal parts treated for corrosion resistance
- Cold hammer forged chrome lined barrel and chamber
- Two position 45 degree safety
- Bolt carrier stop
- MIL STD 1913 rails to mount optional equipment
- Ambidextrous configuration
- No special tools required for field stripping
- Charging handle catch
- 4 Position gas regulator

5.2 Function Overview

The TAVOR® 7 is a semi-automatic bullpup rifle.

The hammer mechanism is located to the rear of the rifle and is connected to the trigger by means of a long linkage bar inside the rifle body. The bolt mechanism is located behind the hand grip, shortening the overall length of the weapon.

5.3 Specifications

The table below details the technical specifications of the TAVOR® 7.

Specifications Table

Caliber	7.62X51mm
Operating System	Closed rotating bolt, short gas stroke on piston head
Barrel Length	<ul style="list-style-type: none">• 16 1/2"• 20"
Rifling	4 Right hand, 1:12 Twist
Barrel Material	Cold hammer forged, CrMoV, chrome lined
Magazine Type	Polymer /Steel AR-10A/SR Pattern Magazines
Magazine Capacity	20 rounds (for standard magazines)
Firing Mode	Semi-automatic only
Stock Type	Reinforced polymer bullpup configuration
Stock Color	Black Flat Dark Earth Olive Drab Green
Additional Tools & Accessories	Barrel Wrench Tool Ergonomic Vertical Foregrip Flashlight Holder with Vertical Fore- grip Articulated Flashlight Holder -5 position Vertical Foregrip, Rubber/Polymer, Short

5.4 Ammunition

Use only high quality, commercially manufactured ammunition in good condition of the appropriate caliber. The caliber of your rifle is marked on the barrel. The TAVOR[®] 7 is chambered for 7.62X51mm NATO. Use only NATO specification ammunition.

Not all ammunition produces the same result. IWI US, Inc. recommends that once you find a brand which functions best, keep using it.

IWI US, Inc. does not recommend using hand loaded reloads, remanufactured ammunition, or foreign or military surplus ammunition of unknown or questionable quality. The use of this ammunition will void the IWI US, Inc. warranty, and may be dangerous, possibly causing death or serious injury if the ammunition is not made to the proper specifications.

5.5 External View

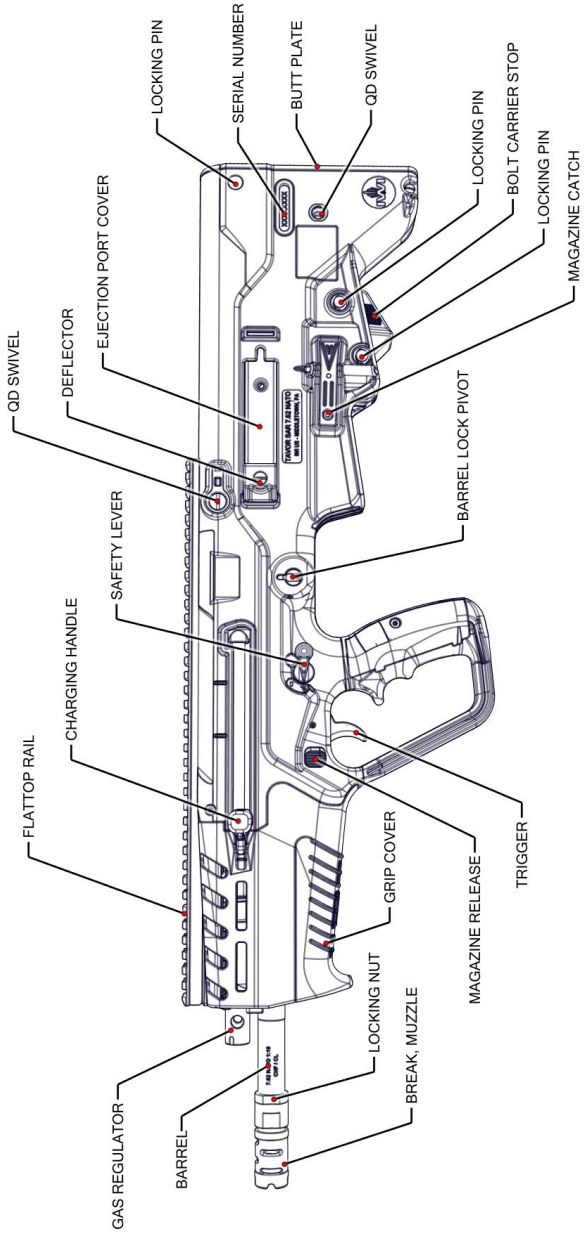


Figure - TAVOR® 7 Left External View

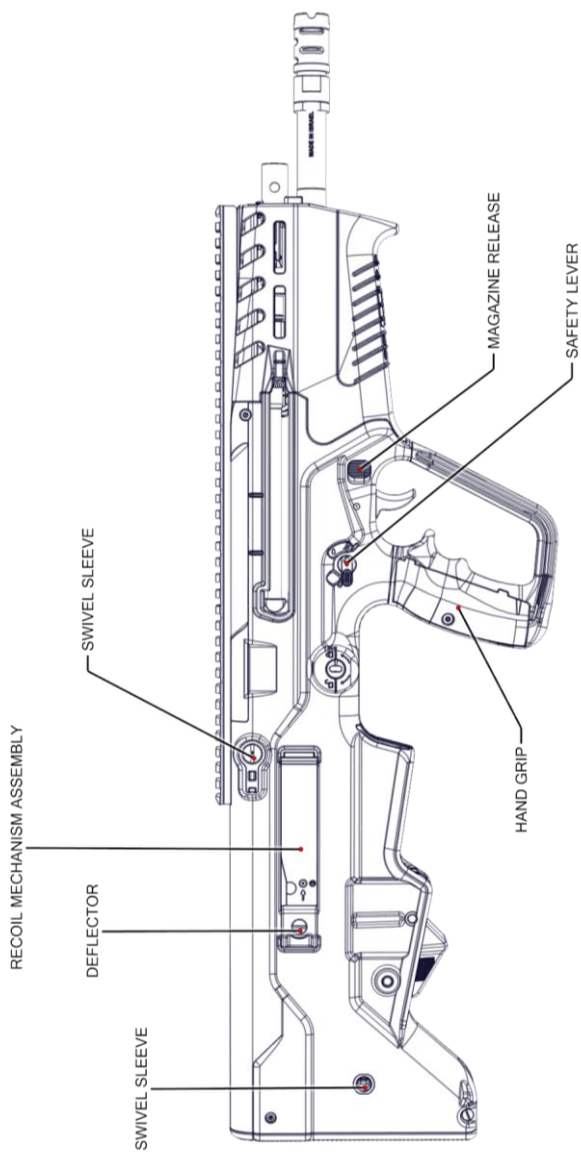


Figure - TAVOR® 7 Right External View

5.6 Foregrip

The foregrip is designed to accommodate optional accessories, including flashlight, laser pointer, vertical fore grip, bipod, etc.

The MIL STD 1913 rail is protected by a removable cover.

To remove the cover, slide it off the rail while pressing the cover button.

To install the cover, fit it to the end of the rail and slide to the rear, while simultaneously pressing the cover button.

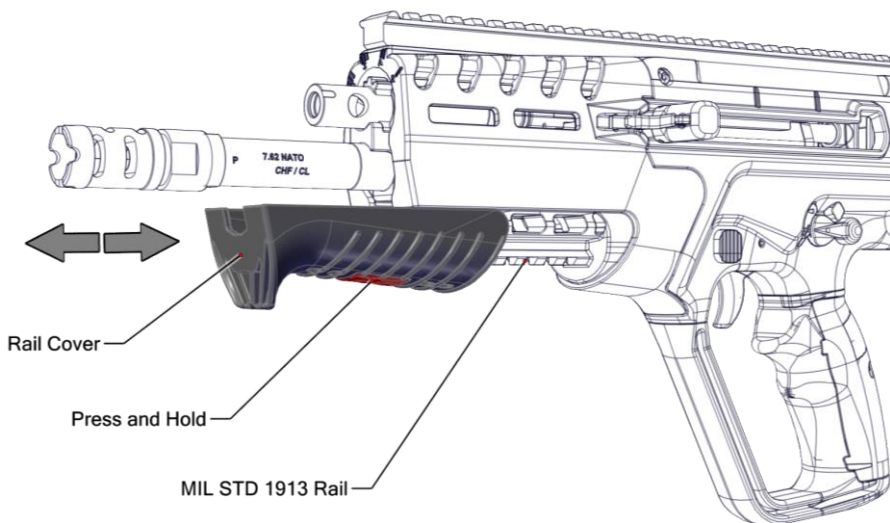


Figure - TAVOR® 7 Foregrip

The front side of the foregrip has four gas settings indicators (see page 22 and below).

5.7 Gas Regulator

The Gas Regulator is used to control the amount of pressure exerted on the piston by the fired cartridge.

The TAVOR® 7 has four gas settings that are marked on the front of the foregrip. A special notch (Position Indicator) on the Gas Regulator points at the respective gas setting.

Regular / **A** - Adverse / **S** - Suppressed / **O** - Off

R -

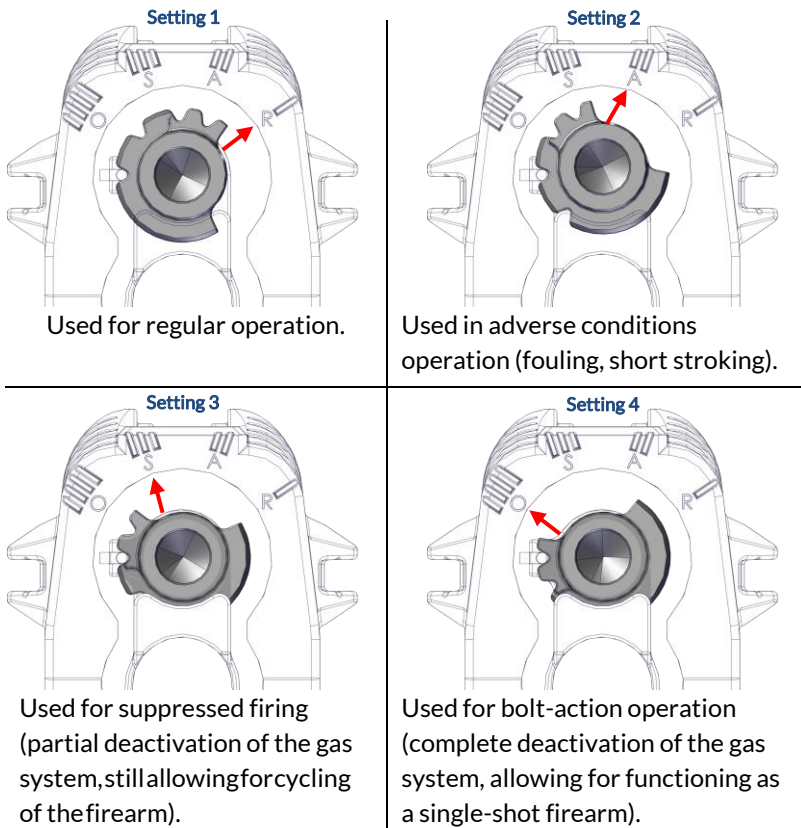


Figure - TAVOR® 7 Gas Regulator Settings



CAUTION! The rifle should not be operated in position II (adverse) for an extended period of time. Return the gas regulator to position I (regular) as soon as regular function returns. Prolonged operation position II (adverse) increases recoil and places unnecessary stress on the rifle.

NOTE: The position of the Gas Regulator can be adjusted with a standard 7.62X51mm round used as a lever.

To change the gas setting, insert a 7.62X51mm round or a 3mm punch into the opening on the Gas Regulator and rotate the Gas Regulator until it locks in the desired position.

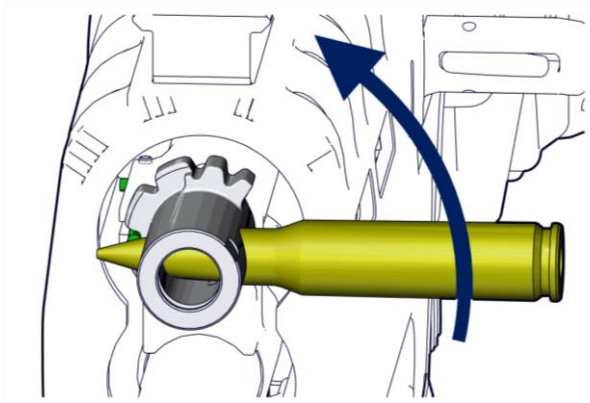






Figure - TAVOR® 7 Changing the Gas Settings

5.8 Safety Levers Positions



WARNING! Safety is the first and foremost concern when handling any firearm. Always keep the muzzle pointed in a safe direction! Keep your trigger finger outside the trigger guard and on the frame of the rifle superior of the trigger until you are aimed at a proper target and intend to fire! Keep the safety lever on “SAFE” until you are aimed at a target and only then move the safety lever to the “FIRE” position.

The Safety Lever is located on the left side of the rifle body and has two positions: “FIRE” , and “SAFE” .

A small Safety lever is located on the right side of the rifle body, with the tip pointing to the “FIRE” , or “SAFE”  markings.

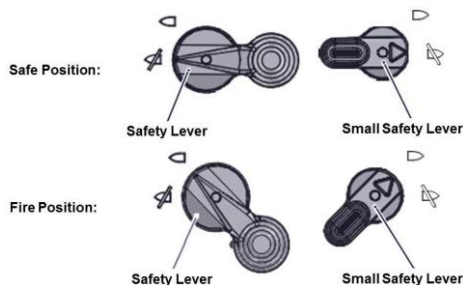


Figure - TAVOR® 7 Safety Lever Positions



WARNING! The safety lever is not intended as a replacement for safe gun handling practices. Do not rely on the safety lever alone to keep you and others safe. Always keep the muzzle pointed in a safe direction and keep your finger off the trigger until you are ready to shoot.

5.9 Using the Cable Lock

Your TAVOR® 7 rifle is supplied with a quality cable lock. Properly used, this lock will help you to secure your firearm from children and other unauthorized users to reduce the chance of an accident, either in the home or while transporting your firearm, provided you take the other reasonable safety precautions contained in this Operator Manual.



WARNING! NEVER attempt to use the cable lock on a loaded firearm - always unload the firearm before installing the cable lock. Otherwise, the firearm could discharge, causing death or serious injury.



WARNING! NEVER insert the cable lock into the trigger guard or trigger area of the TAVOR® 7 or any other firearm, as the cable could press against the trigger and fire the gun, causing death or serious injury.



WARNING! The cable lock supplied with your TAVOR® 7 rifle may not fit or work properly on other firearms. This lock is intended for use only on your TAVOR® 7 rifle.

To use the cable lock, do the following:

1. Be sure your firearm is empty (unloaded) by following the Unloading and Safety Check procedure on page 28. Your rifle should now be unloaded, with the safety lever “ON SAFE” and the bolt carrier locked open (to the rear).



WARNING! Keep the muzzle pointed in a safe direction, your fingers outside the trigger area, and the safety lever “ON SAFE” throughout the process of putting the cable lock on your rifle.

2. Using the key, open the cable lock. Leave the key in the lock.
3. Insert the end of the cable lock cable through the ejection port and out through the empty magazine well.
4. Insert the end of the cable lock cable into the lock body and hold the end of the cable fully into the lock body while you turn and remove the key to lock the lock.
5. Tug hard on the cable to ensure the lock is locked securely.
6. Used in this way, the cable lock will prevent the bolt carrier from closing, preventing the rifle from being fired.
7. Take the key with you, or store the key securely in a remote location from the firearm.
8. Store your firearm in a secure place out of sight, and out of reach of children.

***NOTE:** While the cable lock can be an important part of your firearms security program for home storage, it is not as secure as locking your gun in a metal gun safe or lock box. Use of the cable lock alone will not prevent your firearm from being stolen, and will not keep your firearm out of view of unauthorized users. The cable lock can be cut off the firearm with a hacksaw, bolt cutter or cable cutter.*

6 Operating Instructions



WARNING! Before your firearm left the factory, it was function tested, inspected and packaged.

IWI US, Inc. cannot control the product handling after it has left our factory. Therefore, at the time of purchase carefully examine the rifle to be sure it is unloaded and undamaged and all components are included. Seek your dealer's help for assistance in examining the firearm and to answer your questions.


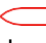

6.1 Preparation for Firing



WARNING! Always handle and treat your firearm as if it is loaded! Never take anyone's word that it is unloaded. Keep the muzzle pointed in a safe direction at all times. Keep your fingers outside the trigger area until you are aiming at a target and intend to fire.

6.1.1 Unloading and Safety Check

To unload or clear your rifle of ammunition or to make sure it is unloaded, keep the muzzle pointed in a safe direction and your finger outside the trigger area while performing the following steps:

1. Using your thumb, ensure that the safety lever is positioned to “SAFE” , (see chapter Safety Levers Positions on page 24).
2. Press the magazine release lever and pull the magazine down and out of the rifle.
3. Hold the rifle grip with your strong hand, keeping trigger finger straight on the frame of rifle.
4. Keep the weapon pointed in a safe direction while holding the stock in your shoulder.
5. Cycle the bolt by pulling back on the charging handle fully three times releasing the charging handle to let the bolt carrier move forcefully each time (do not “RIDE” the charging handle forward).
6. Lean slightly forward, turn the rifle so its butt is horizontal with its right side on top, and brace the butt of the rifle securely. Pull the charging handle to the rear and raise the handle until it is wedged in the charging handle notch at the rear of the slot.
7. Lower the muzzle 45° below a horizontal position.
8. Check visually that the chamber is empty (“CLEAR”). If there is not enough light for you to see clearly that the chamber is empty, use a flashlight or other artificial light. You must not “think” the chamber is empty, you must KNOW it is empty, because if you are wrong, death or serious injury may result.
9. Push downward on the charging handle to release the bolt.
10. Lower the muzzle 45° below a horizontal position.
11. Move the safety lever to the, “FIRE”  position. Pull the trigger (“dry fire”). This will place the hammer in the fired position for storage.
12. Move the safety lever to the “SAFE”  position. Your rifle is now ready for storage.



6.1.2 Function Test





WARNING! Perform this test after **any** firearm conversion, inspection, or part replacement.



WARNING! Make sure the rifle is cleared, unloaded, the magazine has been removed, and the chamber is clear (“EMPTY”) before performing the safety function test. The muzzle should be pointed in a safe direction at all times.

1. Visually inspect the weapon and verify that it has been assembled properly.
2. Pull the charging handle to the rear and release it. Verify proper and free movement of the bolt assembly.
3. With rifle on “Safe” , press the trigger. The hammer should not fall.
4. Set the Safety to “FIRE” , position and press the trigger until the release of the hammer can be heard.
5. Pull the charging handle to the rear and release it. Press the trigger again and hold it to the rear. Cycle the bolt again. Slowly let the trigger move forward until you hear/feel the trigger reset. Pull the trigger and verify that the hammer is released. This verifies that the trigger properly resets.
6. Insert an empty magazine into the magazine well and verify it is held by the magazine catch.

7. Charge the rifle and verify that the recoil mechanism is held in the rear position. Release the magazine and press the bolt carrier stop assembly, verify the recoil mechanism is released.
8. Charge the rifle and check the ability to set the safety to "SAFE" .
9. Verify the ability to charge the rifle when the safety is set to "SAFE" .



WARNING! If the rifle fails any of the preceding steps of the test, **do not load or use the rifle.** Contact IWI US, Inc. to return the rifle for inspection and repair.

6.2 Loading




WARNING! Always check that the ammunition is clean, undamaged, and of the correct caliber for the rifle. Forcing damaged ammunition into the chamber could result in injury, death, damage to property as well as damage to your rifle.

To load the magazine:

1. With the front of the magazine forward, place a round between the magazine lips with the tip of the round pointed forward.
2. Push the round down into the magazine until it is retained by the magazine lips. The magazine will stagger rounds on both sides as it is fed.
3. Place the next round on top of the previous round and press down again. Repeat until the desired number of rounds are loaded.


To load the rifle:



WARNING! Always position the Safety Lever in the “Safe”  position when loading and unloading the firearm.



WARNING! Upon firing, a hot, empty shell casing is forcefully ejected from the ejection port of the firearm. All persons present must wear suitable eye protection, and must stand clear of the case ejection area.



1. Point the muzzle in a safe direction.
2. Hold the rifle grip with your shooting hand, keeping trigger finger straight on the frame of the rifle.
3. Using your thumb, ensure that the safety lever is positioned to “SAFE”  (see Safety Levers Positions on page 24).
4. Insert the magazine into the magazine well. Once seated, push up, then pull down on the magazine to ensure it is locked in place.
5. Charge the rifle by releasing the bolt to move forward forcefully if the bolt is locked open, or by pulling the charging handle fully rearward and releasing if the bolt is closed. Do not “RIDE” the bolt forward.

THE RIFLE IS NOW READY TO BE FIRED WITH A ROUND IN THE CHAMBER AND THE SAFETY LEVER ON “SAFE” .

6.3 Firing





WARNING! Do not chamber a round until you are ready to fire the rifle. Always keep the muzzle pointed in a safe direction. Do not disengage the safety or put your finger into the trigger area until you are aimed at a safe target and intend to fire. Always wear eye and ear protection when firing your rifle.

1. With the rifle loaded and the safety lever on “SAFE” , firmly position the butt of the rifle to your shoulder with support hand on the fore grip and the strong hand on the hand grip with the trigger finger alongside the rifle's frame. **DO NOT HAVE YOUR TRIGGER FINGER ON THE TRIGGER AT THIS TIME.**
2. Aim by aligning front and rear sights or optic on the target.
3. Move the safety lever to the “FIRE”  position.
4. Slowly press the trigger until the hammer releases and the rifle fires. Release the trigger.




WARNING! This semi-automatic rifle will automatically eject the spent case and load the next round from the magazine into the chamber, ready to fire if you pull the trigger again.

To fire additional rounds, aim and press the trigger again. Repeat this process until you are finished firing or the magazine is empty.

5. Whenever you stop firing and you are no longer aiming at the target, even momentarily, place the safety lever in the “Safe”  position.
6. When firing is completed, remove your finger from the trigger, place it straight alongside the frame of the rifle, and move the safety lever in the “SAFE”  position.
7. After the last round is fired from the magazine (when the magazine is empty), the bolt carrier will lock in the rear position.

...WHEN THE MAGAZINE IS EMPTY:

8. Remove the empty magazine by pressing the magazine release lever.

To continue firing, insert another loaded magazine, release the bolt carrier stop lever and a new round will be chambered. Use caution because the rifle is now ready to fire again if the trigger is pulled with the safety in the “Fire”  position.

9. When you finish firing, unload the rifle and confirm that it is empty (“Clear”), following the Unloading and Safety Check procedure on page 28 and below.

7 Disassembly & Assembly Instructions



WARNING! Be sure the rifle is unloaded before starting the disassembly! Keep the muzzle pointed in a safe direction except when the rifle is disassembled and incapable of firing.

This section provides the following removal/installation procedures for the following rifle components and parts:

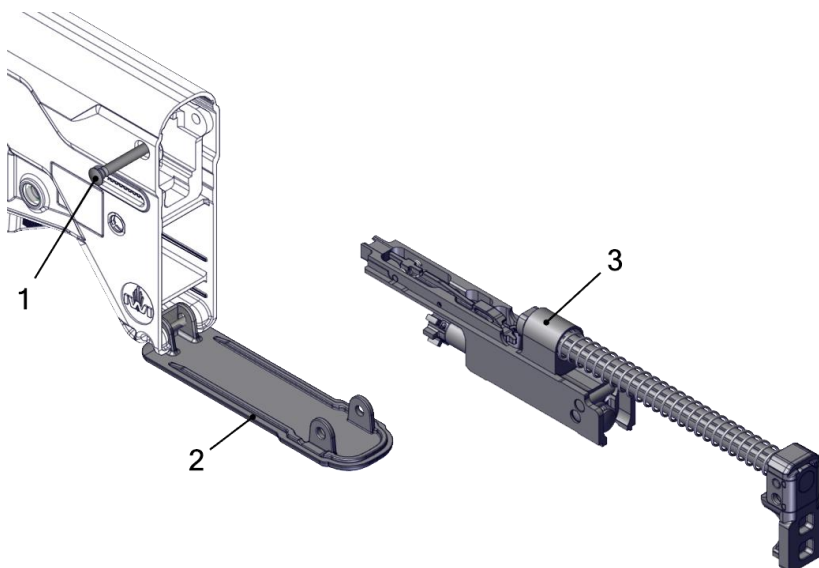
Part/Component:	Page
Recoil Mechanism	36
Gas Regulator and Piston Assembly	38
Sear Mechanism	40
Hand Grip Assembly	42
Foregrip Assembly	44

7.1 Recoil Mechanism

Tools & Materials	None
Initial Setup	Unloading and Safety Check of the rifle performed (see page 28 and below).

7.1.1 Removal

1. Push the butt plate locking pin (1) with a punch or bullet tip on the right side and pull it through the rifle to the left side until it stops. **DO NOT PULL THE PIN OUT COMPLETELY.**
2. Open the butt plate (2).
3. Pull the recoil mechanism (3) out of the rifle.



#	Description
1	Locking Pin
2	Butt Plate
3	Recoil Mechanism

Figure - TAVOR® 7 Recoil Mechanism Removal

7.1.2 Installation

1. Slide the recoil mechanism (3) forward into the body through the rear.
2. Close the butt plate (2).
3. Press the butt plate locking pin (1) to lock the butt plate (2).
4. Perform the Complete Function Test procedure (see page 29).

7.2 Gas Regulator and Piston Assembly

Tools & Materials	7.62X51mm round for the field (punch at home)
Initial Setup	Recoil mechanism removed (see page 36).

7.2.1 Removal

1. Insert a 7.62X51mm round or a punch into the opening on the gas regulator (1) and rotate through the gas settings clockwise until the gas regulator (1) reaches its initial position (a).
2. Securing spring (2) is now seated inside the regulator recess and gas regulator (1) can be removed (b).



WARNING! With gas regulator (1) and piston assembly (2) removed, the piston rod is not supported inside the rifle body and may fall out.

3. Slide gas regulator (1) together with piston assembly (4) off regulator base (3) (c).
4. Separate piston assembly (4) from gas regulator (1).

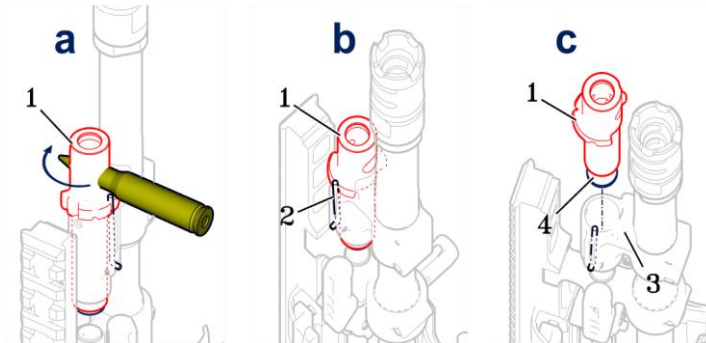


Figure - TAVOR® 7 Gas Regulator Removal

7.2.2 Installation

NOTE: Gas regulator (1) can only be installed when its smooth side is aligned with the surface of regulator base (3).

1. Insert piston assembly (4) into gas regulator (1) (a)



CAUTION! Make sure the piston rod is in place prior to installing gas regulator (1) and piston assembly (4).

2. Align the smooth side of gas regulator (1) with the surface of regulator base (3) and slide the gas regulator unit into the initial position (b).

In the initial position, securing spring (2) engages the recess of gas regulator (3).

3. Insert a 7.62X51mm round into the opening on gas regulator (1) and rotate gas regulator (1) counter-clockwise until it locks into the desired gas setting* (c).

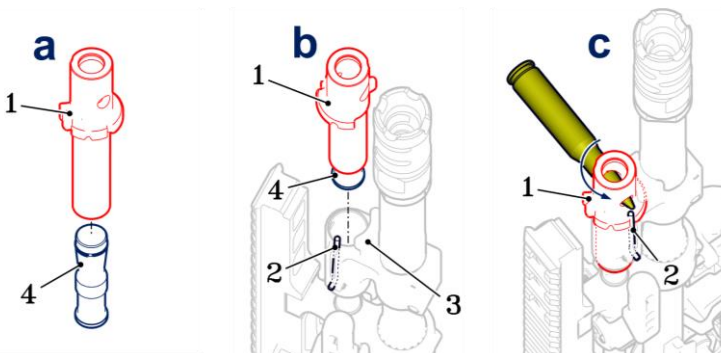


Figure - TAVOR® 7 Gas Regulator Installation

* See para. 5.7 for the TAVOR® 7 gas settings.

7.3 Sear Mechanism

Tools & Materials	None
Initial Setup	Unloading and Safety Check of the rifle performed (see page 28 and below).

7.3.1 Removal

1. Press the two locking pins (1) on the right side and pull them through the rifle to the left side until they stop.
DO NOT PULL THE LOCKING PINS OUT COMPLETELY.
2. Open bolt carrier stop lever (2).
3. Pull sear mechanism (3) out of the rifle.

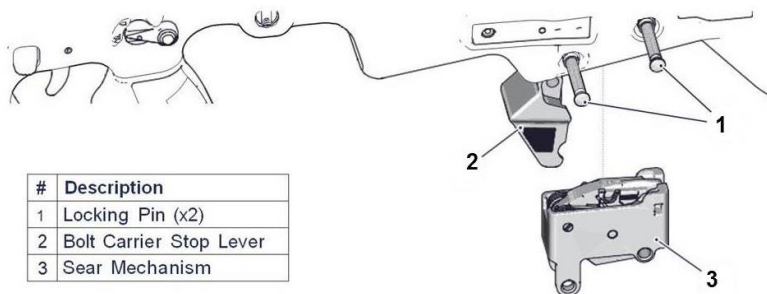


Figure - TAVOR® 7 Sear Mechanism Removal



NOTE: *If you accidentally removed the entire bolt carrier stop assembly from the rifle, proceed as follows:
Holding the bolt carrier stop lever in the open position with your middle finger, slide the head of the bolt carrier stop under the step of the insert and then push upwards to let the bolt carrier stop snap into place.*

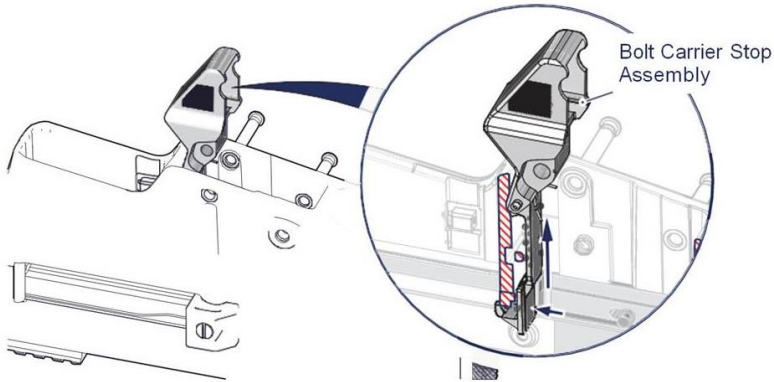


Figure - TAVOR® 7 Bolt Carrier Stop Assembly

7.3.2 Installation



CAUTION! Be sure the hammer is charged during the installation procedure.

1. Place sear mechanism (3) inside the rifle body.
2. Close bolt carrier stop lever (2).
3. Push the locking pins (1) all the way into the body to secure the sear mechanism (3) and bolt carrier stop lever (2).
4. Perform the Complete Function Test procedure (see page 29).

7.4 Hand Grip Assembly

Tools & Materials	Allen wrench 6mm
Initial Setup	Recoil mechanism removed (see page 36).

7.4.1 Removal

1. Using an Allen wrench, remove the hand grip screw.
2. Pull and remove hand grip assembly.

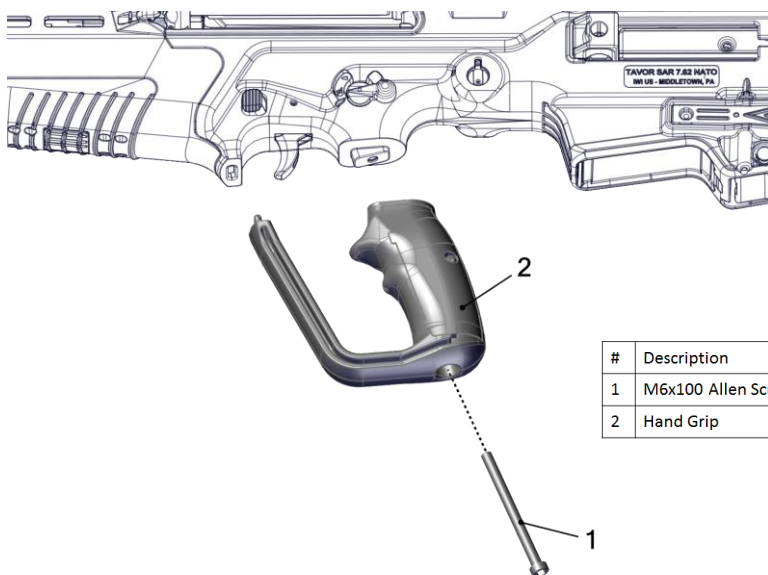


Figure - TAVOR® 7 Hand Grip Removal

7.4.2 Installation

Place the hand grip assembly (2) on the rifle body and attach it with the hand grip screw (1). Use an Allen wrench.

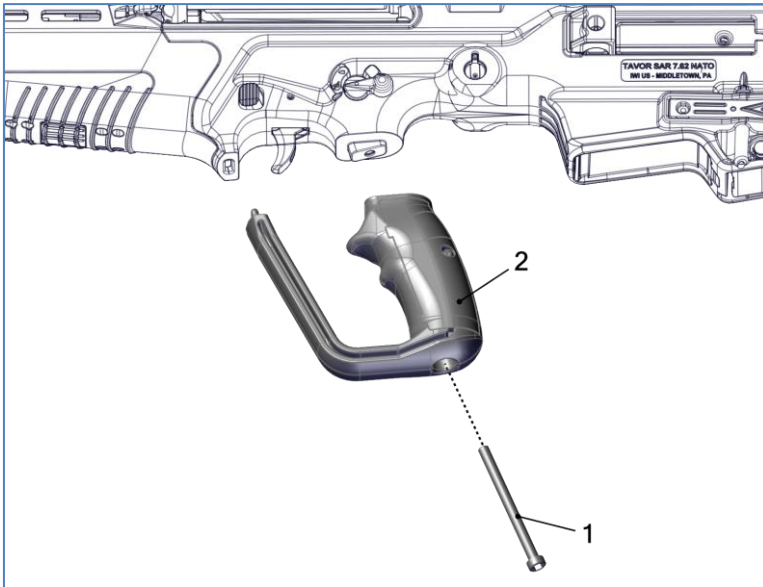


Figure - TAVOR® 7 Hand Grip Assembly

7.5 Foregrip Assembly

Tools & Materials	3 mm Allen wrench x2 Loctite 242 or equivalent
Initial Setup	Hand grip assembly removed (see page 42).

7.5.1 Removal

1. Using two 3mm Allen wrenches, remove the Foregrip Screws (1) – (2).
2. Pull the Charging handle rearward so it is unlocked.
3. Slide the foregrip assembly (3-A) forward till stops.
4. Rotate the foregrip for release (B).
5. Slide the foregrip assembly (c) forward and remove it from the rifle.

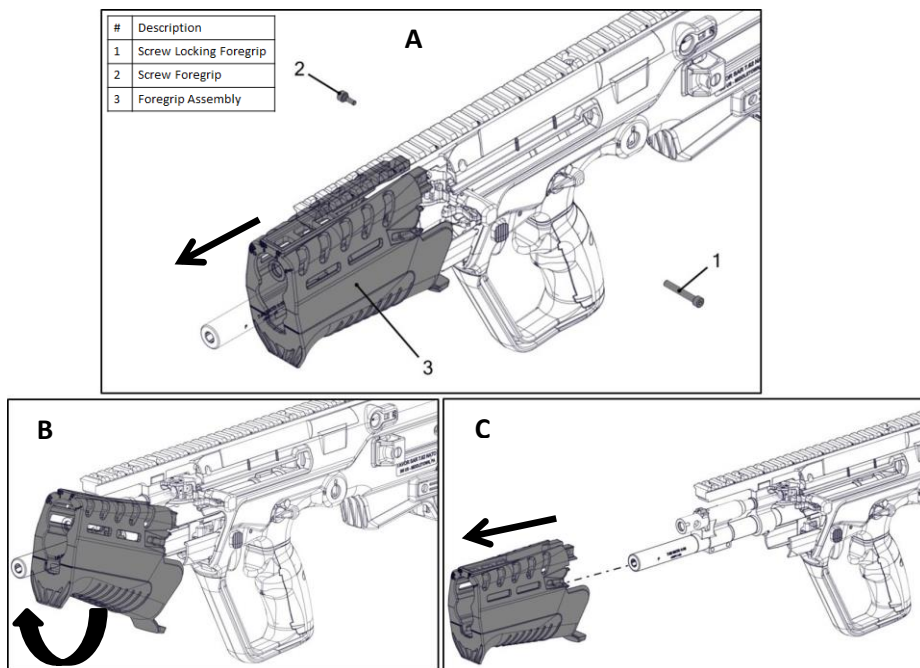


Figure - TAVOR® 7 Foregrip Assembly

7.5.2 Installation

1. Slide foregrip assembly rearwards till stops.
2. Rotate the foregrip assembly.
3. Slide foregrip assembly rearwards into final position.
4. Apply Loctite 242 or equivalent on two fastening screws (1) - (2) and attach foregrip group using two 3 mm Allen wrenches.

7.6 Secondary Disassembly/Assembly

This section provides disassembly/assembly procedures for the following:

<u>Rifle Assembly</u>	<u>Page</u>
Recoil Mechanism	46
Foregrip Assembly	48

7.6.1 Recoil Mechanism

<u>Tools & Materials</u>	<u>3 mm punch</u>
<u>Initial Setup</u>	Recoil mechanism removed (see page 36)

7.6.1.1 Disassembly

1. Using a 3 mm punch, push the firing pin securing pin (1) (connected) on the right side of the assembly to the open position (1a).
Do not pull the firing pin securing pin out completely.
2. Extract the firing pin unit (2) from the bolt carrier.
3. Extract the bolt leader pin (3) from the bolt carrier and remove the bolt assembly (4). Do NOT remove the firing pin spring (6) from the firing pin (5).

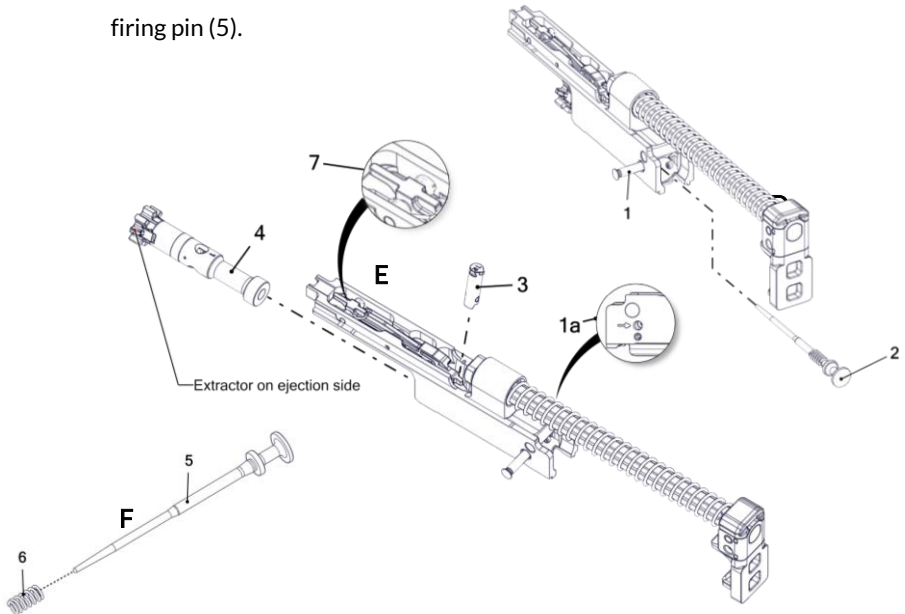
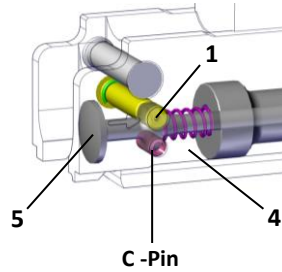


Figure - TAVOR® 7 Recoil Mechanism Disassembly

7.6.1.2 Assembly

1. Install the bolt assembly (4) inside the bolt carrier. Make sure the extractor is on the right (ejection) side.
2. Install the bolt leader pin (4) by pressing the point as shown in the picture (7), and then insert the pin.
3. Install the firing pin unit into the bolt carrier, close it with the firing pin securing pin behind the firing pin unit.

NOTE: In the installed position, the firing pin securing pin (1) and the C pin are located between the flanges of the firing pin (5).



7.6.2 Foregrip Assembly

Tools & Materials	None
Initial Setup	None

7.6.2.1 Disassembly

Slide cover assembly (2) off foregrip (3) while pressing and holding the cover button (1).

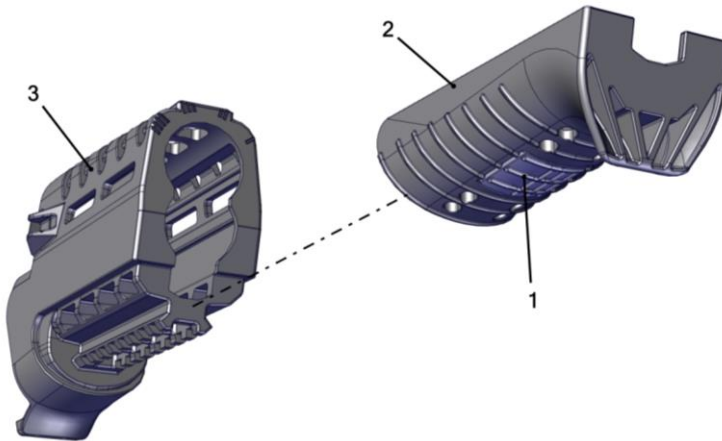


Figure - TAVOR® 7 Foregrip Disassembly

7.6.2.2 Assembly

Fit the cover assembly (2) to the end of the rail and slide it to the rear, while pressing the cover button (1).



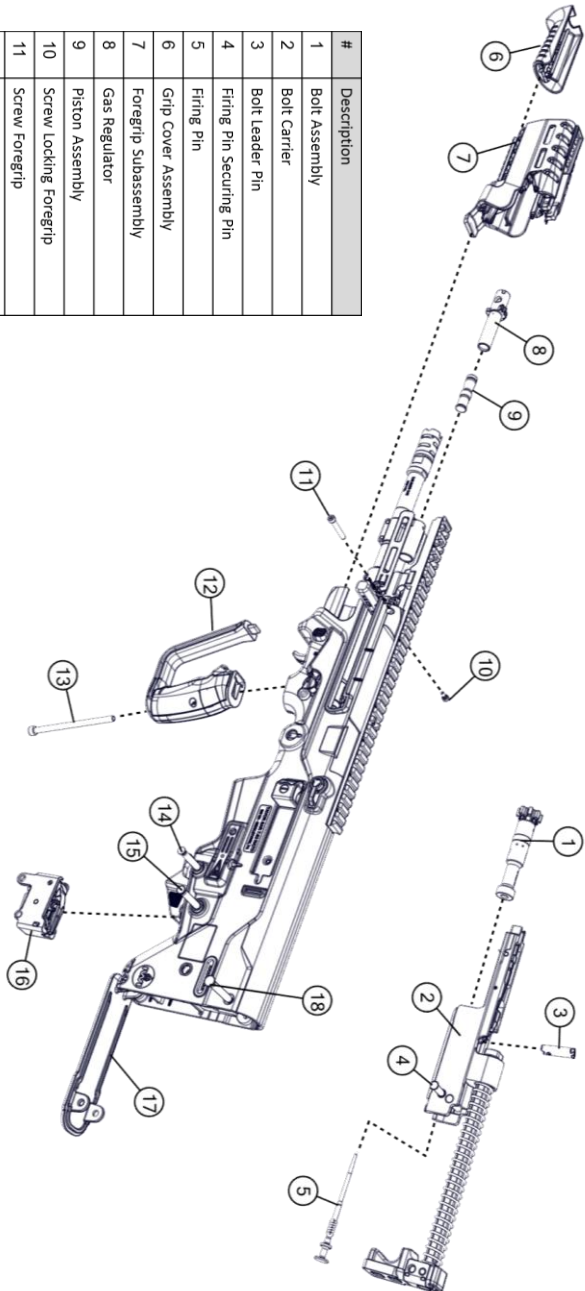
STOP! You should not disassemble your TAVOR® 7 rifle any further, unless you are a factory-trained and certified armorer.



CAUTION! Further disassembly by individuals who are not factory-trained and certified as TAVOR® 7 armorers can result in damage to or destruction of the rifle, voiding of the warranty, and possibly the creation of **UNSAFE CONDITIONS THAT COULD RESULT IN DEATH OR SERIOUS INJURY.**

8 Exploded View

#	Description
1	Bolt Assembly
2	Bolt Carrier
3	Bolt Leader Pin
4	Firing Pin Securing Pin
5	Firing Pin
6	Grip Cover Assembly
7	Foregrip Subassembly
8	Gas Regulator
9	Piston Assembly
10	Screw Locking Foregrip
11	Screw Foregrip
12	Hand Grip Assembly
13	Hand Grip Screw
14	Pin Locking
15	Bolt Carrier Stop Lever
16	Sear Mechanism
17	Butt
18	Pin Locking Butt



9 Maintenance

9.1 Pre-Firing Maintenance

1. Perform Unloading and Safety Check procedure (see page 28).
2. Remove the recoil mechanism (see page 36).
3. Wipe out sand, dirt and dust from external parts with the general cleaning brush.
4. Pass the cleaning rod with a cleaning patch through the barrel and chamber to be sure the bore is not obstructed and to remove any grease or excess oil.
5. Install the recoil mechanism (see page 37).
6. Perform Complete Function Test procedure (see page 29).

9.2 Post-Firing Maintenance

1. Perform Unloading and Safety Check procedure (see page 28).
2. Remove the recoil mechanism (see page 36).
3. Pass the cleaning rod with a cleaning patch through the barrel. Always start from the chamber end towards the muzzle.
4. Remove the gas regulator and piston (see page 38).
5. Scrub off the carbon and wipe out the fouling from the regulator, from under the securing spring, and from the piston rings area. Leave this area clean and dry.
6. Install the gas regulator and piston (see page 39).
7. Disassemble the recoil mechanism (see page 46).
8. Clean the recoil mechanism parts thoroughly, inspect for cracks and fractures.

9. Use a high quality gun oil to lubricate the bolt, bolt leader pin, and surfaces of contact between the bolt carrier and body insert:

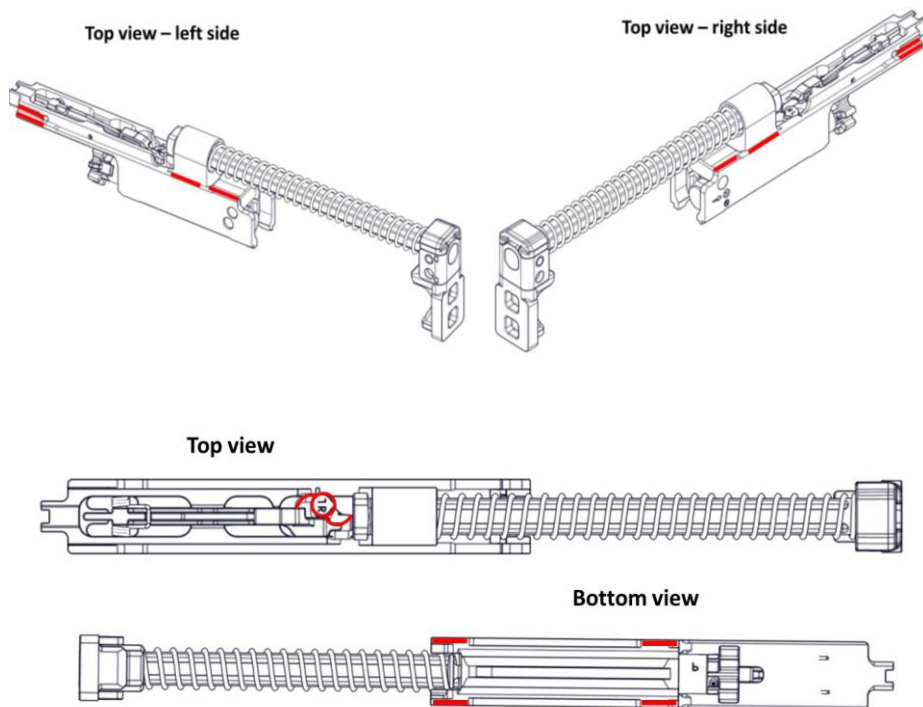


Figure - TAVOR® 7 – Post-Firing Maintenance

10. Reassemble the recoil mechanism (see page 47). Verify the extractor and ejector springiness.
11. Install the recoil mechanism (see page 36).
12. Perform the complete Function Test procedure (see page 29).

10 Cleaning Gun for Storage



CAUTION! It is important to thoroughly clean the rifle when storing for long periods, or if exposed to water, mud or sand.

1. Perform Unloading and Safety Check procedure (see page 28).
2. Remove the recoil mechanism (see page 36).
3. Remove the sear mechanism (see page 40).
4. Clean the exterior body with the general cleaning brush.
5. Use the chamber and barrel extension cleaning brush to clean the chamber and locking lugs on the barrel extension.
6. Use the brass barrel bore brush to clean the bore. Always start from the chamber end and ensure brush clears the muzzle before pulling back through barrel. Do this several times to remove debris from barrel.
7. Use the internal receiver cleaning brush to clean the interior body.
8. Remove the gas regulator and piston (see page 38).
9. Scrub off the carbon and wipe out the fouling from the regulator, from under the securing spring, and from the piston rings area. Leave this area clean and dry. Leave the piston clean and dry.
10. Install the gas regulator and piston. (see page 39).
11. Disassemble the recoil mechanism (see page 46).
12. Clean the recoil mechanism parts thoroughly, inspect for cracks and fractures.

13. Lubricate the recoil mechanism parts according to the instructions in step 9 of the Post-Firing Maintenance procedure (see page 51).
14. Clean the metal surfaces of the sear mechanism with the general cleaning brush.
15. With the hammer in the charged position, lightly lubricate the hammer spring coils.

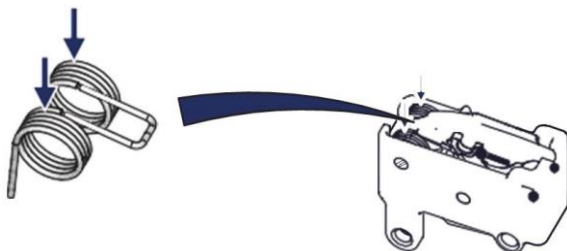


Figure TAVOR® 7 – Lubrication Points on the Hammer Spring


16. Install the sear mechanism (see page 41).
17. Install the recoil mechanism (see page 36).
18. Complete Function Test procedure (see page 29).

NOTE: *When storing for long periods, it is important to clean and re-lubricate the rifle regularly to prevent pitting and rust; you may also decide to add thicker oil that will not evaporate quickly over time.*

Be sure to remove the excess oil from the rifle parts prior to firing.

11 Conversion to Left Hand Operation

Tools & Materials	7.62X51mm round for the field (or 2mm punch at home)
Initial Setup	Unloading and Safety Check of the rifle (see page 28).

 **WARNING!** KEEP THE MUZZLE POINTED IN A SAFE DIRECTION AT ALL TIMES. REMOVE ALL AMMUNITION FROM THE WORK AREA BEFORE YOU BEGIN.

1. Remove the recoil mechanism (see page 36).
2. Position the charging handle between the indicator marks and flip to the left side making sure it stays between the marks.

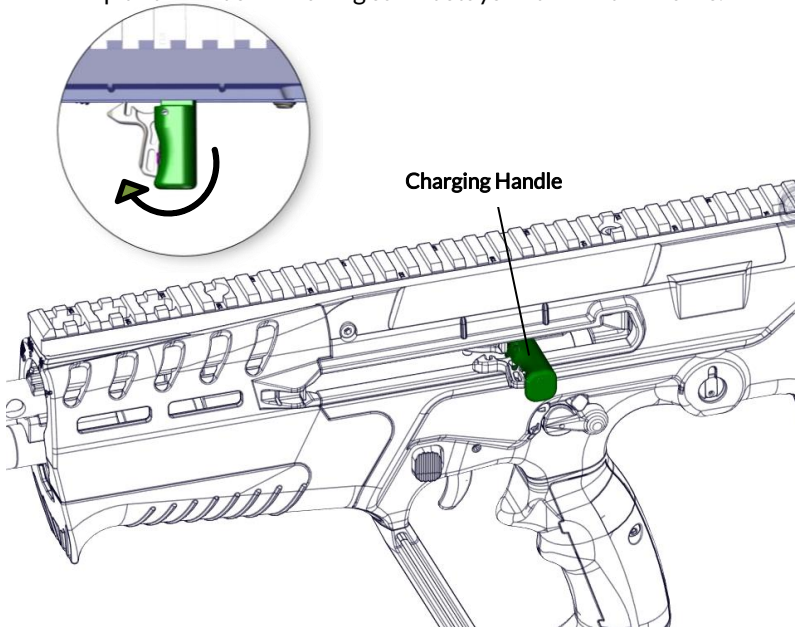


Figure - TAVOR® 7 – Conversion to Left-Hand Operation, Step 1

3. On the rifle left - hand side, push the detent to remove the charging handle cover (1) using a 2mm punch or 7.62X51mm round.
4. Remove the charging handle cover (2).

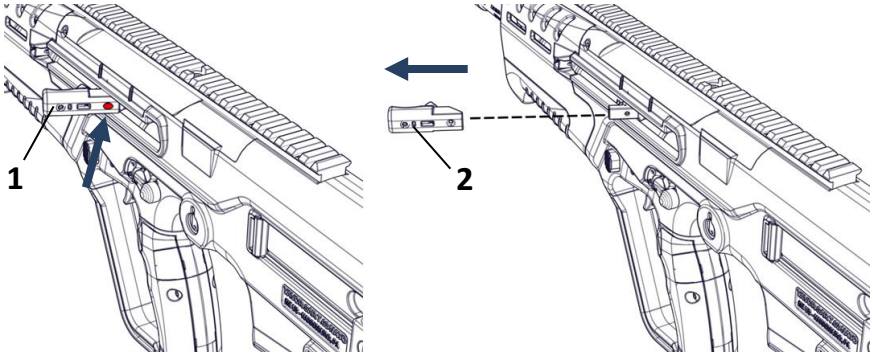


Figure - TAVOR® 7 – Conversion to Left-Hand Operation, Step 2

5. Rotate the charging handle to the right-hand side, between the indicator marks (3) using the 2mm punch or the tip of a 7.62X51mm round.
6. Insert charging handle cover over the charging handle (4). Make sure the charging handle cover is secured. Push the charging handle forward into the locked position.

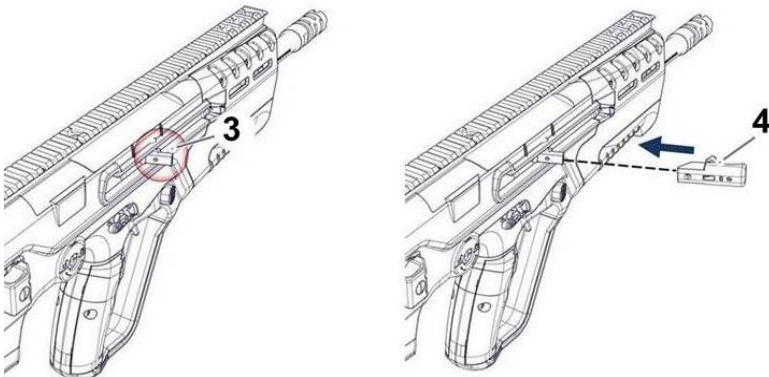


Figure - TAVOR® 7 – Conversion to Left-Hand Operation, Step 3

7. On the rifle's left-hand side, pull the deflector (a) and slide it all the way rearward (b). At the end of travel, turn the deflector 180° (c) and push inwards so that the deflector edge locks into its slot (d).

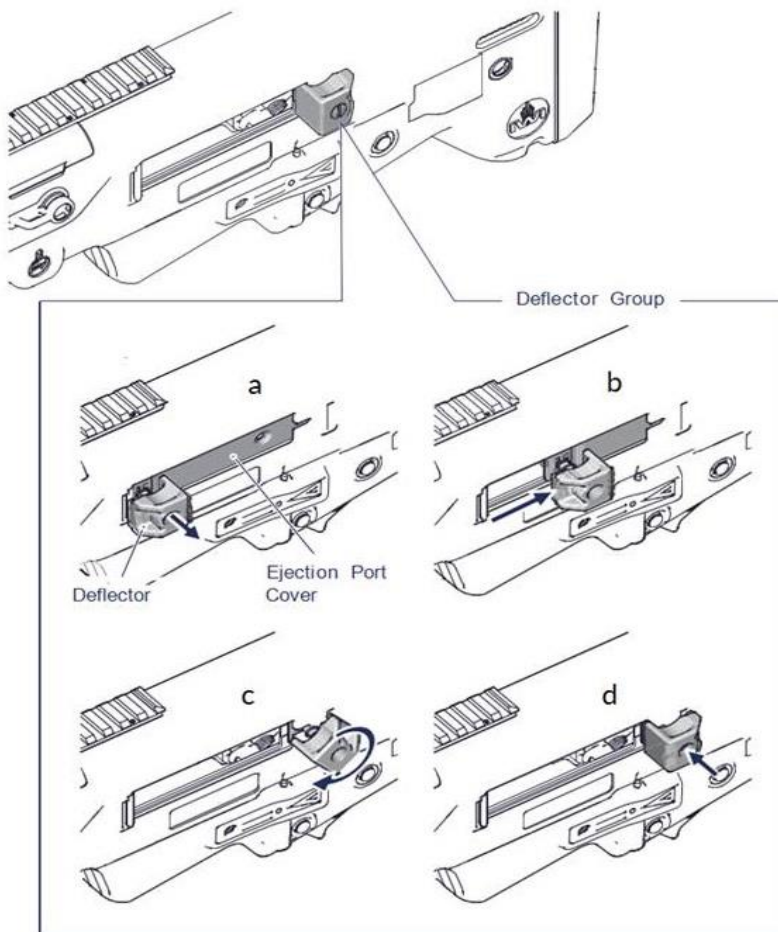


Figure - TAVOR® 7 - Conversion to Left-Hand Operation, Step 4

8. On the rifle's right-hand side, pull the deflector and slide all the way forward. At the end of travel, turn the deflector 180° and push inwards so that the deflector edge locks into its slot.

9. Push the firing pin securing pin from right to left (Do not pull the securing pin out completely) and remove the firing pin unit. The firing pin securing pin is captured. Remove the bolt leader pin.

Hold the assembly so that the bolt head is away from you and the recoil spring is closest to you. Rotate the bolt assembly inside the bolt carrier so that the extractor is located to the left side of the assembly. Re-insert the bolt leader pin all the way into the bolt (see bolt leader position pic). Make sure the left pin indicator (L) is readable and not upside down. (See Figure below).

Insert the firing pin unit into the bolt carrier, close with the firing pin securing pin the firing pin unit (see page 44).

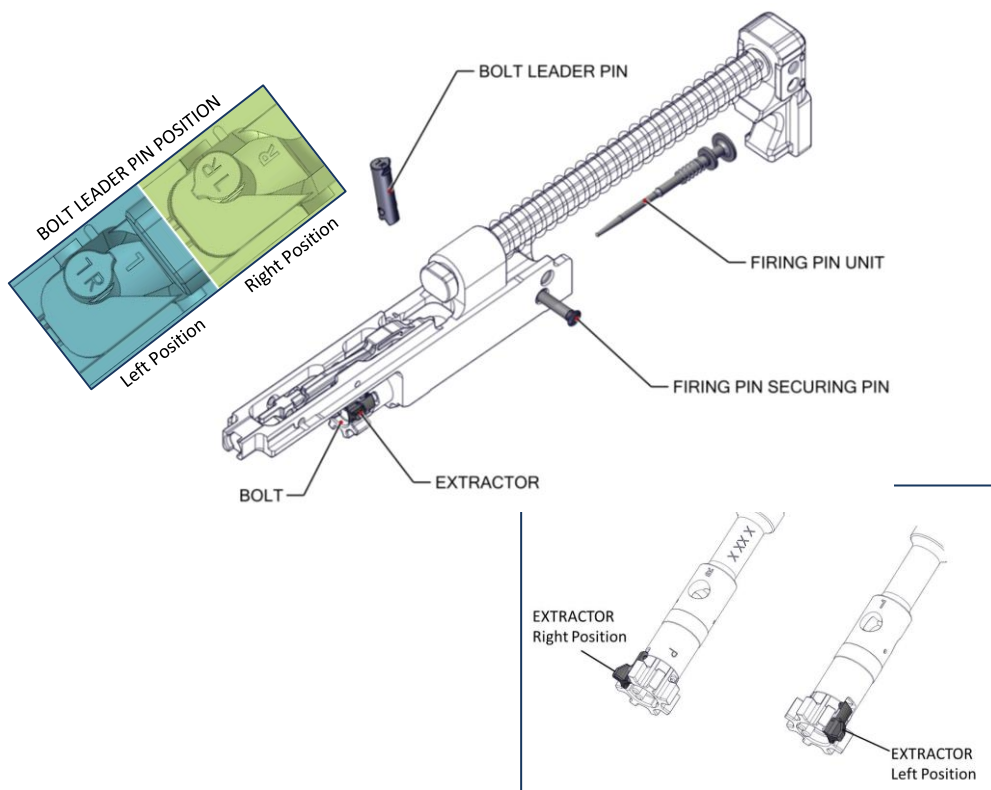


Figure - TAVOR® 7 – Conversion to Left-Hand Operation, Step 5

10. Install the recoil mechanism (see page 35).
11. Perform the Complete Function Test procedure (see page 29 and below).

12 Troubleshooting



DANGER! During all troubleshooting, keep finger off the trigger and keep muzzle pointed in a safe area.

Troubleshooting Table:

Problem	Possible Cause	Remedy
Failure to fire	Safety is on	Turn safety to off
Failure to fire (hammer fell)	<ol style="list-style-type: none"> 1. Magazine not seated 2. Faulty ammunition 3. Damaged firing pin 4. Sear mechanism defective 5. Dirty firing pin channel 6. Incorrect gas setting 	<ol style="list-style-type: none"> 1. Tap and tug magazine to ensure it's seated. Cycle bolt and attempt to fire. Replace magazine if worn or damaged. 2. Check ammunition. Replace if necessary 3. Replace firing pin 4. Replace sear mechanism 5. Clean firing pin channel/bolt assembly 6. See Gas Regulator section.
Failure of bolt to unlock during firing or unloading		Remove magazine and put the weapon on safe. Attempt to cycle. With the muzzle pointed in a safe direction , strike the corner of the butt on the ground while pulling on the charging handle. Clear the weapon. If unable to clear the weapon, contact IWI US or a competent gunsmith.
	<ol style="list-style-type: none"> 1. Defective case 2. Dirty chamber 3. Seized bolt/ bolt not lubricated 4. Incorrect gas setting 	<ol style="list-style-type: none"> 1. Remove case (with a rod if it did not dislodge) 2. Clean chamber 3. Wipe off and lubricate bolt 4. See Gas Regulator section.

Troubleshooting Table:

Problem	Possible Cause	Remedy
Failure to feed	<ol style="list-style-type: none"> 1. Magazine not seated 2. Magazine is defective 3. Broken bolt lugs 4. Incorrect gas setting 	<ol style="list-style-type: none"> 1. Tap and tug magazine to ensure it's seated. Cycle bolt and attempt to fire. Replace magazine if worn or damaged 2. Replace magazine 3. Contact IWI US 4. See Gas Regulator section
Double feed	<ol style="list-style-type: none"> 1. Dirty extractor 2. Extractor spring weak or broken 3. Bent feed lips or worn magazine 4. Ripped case rim, casing stuck in chamber 5. Underpowered ammunition 6. Broken extractor 7. Incorrect gas setting 	<p>Turn on the safety, lock the bolt to the rear by pulling the charging handle and locking it in the charging handle notch. Remove magazine. Clear trapped brass with fingers if necessary. Close the bolt. Reinsert magazine and cycle the bolt.</p> <ol style="list-style-type: none"> 1. Clean breach face under extractor 2. Replace extractor spring 3. Replace magazine 4. Unload weapon, lock the bolt to rear, use a cleaning rod from the muzzle end to clear the chamber with the rifle pointed in a safe direction 5. Replace ammunition 6. Replace extractor 7. See Gas Regulator section.
Bolt will not close	<ol style="list-style-type: none"> 1. Dirty chamber 2. Oversized round (defective) 3. Weak recoil spring mechanism 4. Shooter riding the charging handle forward (short stroking) 5. Incorrect gas setting 	<ol style="list-style-type: none"> 1. Clean chamber 2. Clear the round and inspect ammunition 3. Contact IWI US 4. Release the bolt, do not ride the charging handle forward 5. See Gas Regulator section

Troubleshooting Table:

Problem	Possible Cause	Remedy
Bolt not locking to the rear after the last round is fired	<ol style="list-style-type: none">1. Weak ammunition2. Damaged magazine3. Damaged bolt catch4. Bolt catch being held down inadvertently5. Incorrect gas setting	<ol style="list-style-type: none">1. Replace ammunition2. Replace magazine3. Contact IWI US4. Ensure the bolt catch lever is free to drop downwards5. See Gas Regulator section

13 Limited Product Warranty

1. This Warranty is given by "IWI US, Inc." solely to the original purchaser (the "Purchaser") of IWI US, Inc.'s TAVOR[®] 7 SEMI-AUTOMATIC RIFLE (the "Product") for a period of 5 years commencing from the date of Product retail purchase (the "Warranty Period"). Subject to the limitations and exclusions contained below, IWI US, Inc. warrants the Product to be free from defects in design, materials and workmanship. Consequently, should any failure to conform to this Warranty be discovered and brought to the attention of IWI US, Inc. during the Warranty Period, and be substantiated by examination at IWI US, Inc.'s facility or by duly authorized and certified field personnel on IWI US, Inc.'s behalf, IWI US, Inc., at its sole option and free of charge, shall either repair, replace or refund the purchase price of any non-conforming Product.
3. This Warranty shall only apply provided that: The Product has been transported and stored, handled, maintained, operated and used properly; all in accordance with IWI US, Inc.'s instructions found in this manual.
 - 3.2 No changes, repairs or services were made to the Product by any party other than IWI US, Inc. or an authorized representative of IWI US, Inc.
 - 3.3 The Product was not damaged as a result of improper operation, misuse (whether intentional or otherwise), abuse, negligence, accident or flood, fire, earthquake or other external causes.
 - 3.4 Only appropriate, non-defective new commercial ammunition was fired from the Product.
 - 3.5 The defective Product and/or defective parts shall have been returned by the Purchaser to IWI US, Inc. immediately upon requesting conformance with IWI US, Inc.'s return procedures.

4. This Warranty does not apply to:
 - 4.1 Maintenance, repair or replacement of parts due to normal wear and tear.
 - 4.2 Expendable items such as batteries (including battery leaks), bulbs, cleaning supplies and other consumables.
 - 4.3 Firing the Product with an obstruction in the barrel.
 - 4.4 Any cosmetic damage that does not impede form, fit, and function of the Product.
 - 4.5 Products that show evidence of tampering.
 - 4.6 IWI US, Inc. does not warrant that the operation of the product will be uninterrupted, or error-free, or free of stoppages or malfunctions.
5. In the event a Product returned to IWI US, Inc. is not defective in design, materials or workmanship or not returned within the Warranty Period, a test and evaluation charge, as determined by IWI US, Inc. will apply.
6. No implied warranty is made to any accessory items attached or appurtenant to the Product.
7. IWI US, Inc. will be the sole determining evaluator and authority for adjudicating Warranty claims hereunder.
8. THE REPAIR, REPLACEMENT, OR REFUND AS PROVIDED HEREINABOVE IS THE SOLE AND EXCLUSIVE REMEDY OF THE PURCHASER, AND IS PROVIDED IN LIEU OF ALL OTHER WARRANTIES, EXPRESS OF IMPLIED, INCLUDING, WITHOUT LIMITATION, THE IMPLIED WARRANTIES OF MERCHANTABILITY, FITNESS FOR A PARTICULAR PURPOSE, NON-INFRINGEMENT, COURSE OF DEALING AND USAGE OF TRADE. IN NO EVENT SHALL IWI US, INC. BE LIABLE TO PURCHASER, PURCHASER'S CUSTOMERS OR ANY THIRD PARTY, WHETHER IN CONTRACT OR TORT (INCLUDING NEGLIGENCE AND STRICT LIABILITY) FOR DAMAGES IN EXCESS OF THE PURCHASE PRICE OF THE PRODUCT, OR FOR ANY INDIRECT, INCIDENTAL, SPECIAL, PUNITIVE, OR CONSEQUENTIAL DAMAGES OR EXPENSES OF ANY KIND, OR PERSONAL INJURIES OR DAMAGE TO PROPERTY OF ANY KIND OR CHARACTER, OR

LOSS OF REVENUE OR PROFITS, LOSS OF USE, LOSS OF BUSINESS, LOSS OF INFORMATION OR DATA OR OTHER FINANCIAL LOSS ARISING OUT OF OR IN CONNECTION WITH THE ABILITY OR INABILITY TO USE THE PRODUCT TO THE FULL EXTENT THESE DAMAGES MAY BE DISCLAIMED BY APPLICABLE LAW.

9. Some states do not allow the exclusion of consequential or incidental damages, so the above limitations may not apply to you.

14 Repair Services

If you need assistance with your firearm, please call:

Tel: +1 (717) 695-2081, Monday through Friday, 9:00AM to 4:00PM US Eastern time and ask to speak to Customer Service. If it is determined that shipment of your firearm to IWI US, or an authorized IWI US, Inc. Service Center is warranted, please prepare and ship as follows:

1. Request a Return Authorization number (RA#) from the IWI US, Inc. Customer Service Representative. Please note that IWI US, Inc. will refuse return/repair shipments without a RA#.
2. Record the serial number of your firearm before packing and shipping.
3. Check to make sure your firearm is unloaded.
4. Remove all accessories from the firearm to prevent loss or damage. IWI US, Inc. will not be responsible for any loss or damage to non-IWI US, Inc. firearms or accessories.
5. Pack your firearm in the original box. If the original box is not available, pack your firearm in a box that will protect it from any handling and/or shipping damage. Be sure that there are no markings and/or words on the outside of the box that indicate there is a firearm inside the box. This will help to deter theft of the firearm while in-transit to IWI US, Inc.
6. Enclose a letter with the firearm detailing the model name and serial number of your firearm along with a full description of the problem. Be sure to include your full name and street address city and state, including zip code, daytime telephone number and email address.
7. Ship your firearm by UPS, FedEx or USPS (US Postal Service). IWI US, Inc. is not responsible for damage or loss during shipment, so you may elect to purchase insurance from the carrier. Ship to the following address:

IWI US, Inc.

Attn. Service Department RA# _____
1441 Stoneridge Drive
Middletown, PA 17057



WARNING! DO NOT SEND LIVE AMMUNITION OR SPENT (FIRED) SHELLS/CARTRIDGES IN YOUR FIREARM OR IN THE SAME BOX WITH YOUR FIREARM. THIS IS A VIOLATION OF FEDERAL LAW. IF YOU FEEL YOU MUST SEND SPENT (FIRED) SHELLS/CARTRIDGES, PLEASE SHIP THEM IN A SEPARATE PACK- AGE AND INCLUDE A COPY OF THE LETTER THAT YOU PACKED WITH YOUR FIREARM.

IWI US, Inc. • 1441 Stoneridge Drive • Middletown, PA
17057 • Tel: +1 (717) 695-2081 • Fax: +1 (717) 412-0873 •
service@iwi.us
WWW.IWI.US

Copyright © 2022 by IWI US, Inc.

This document is the property of IWI US, Inc. ("IWI US, Inc.") and contains proprietary and confidential information. IWI US, Inc. reserves the whole rights to this document and to the data/invention/content herein described. This document may only be used for the specific purpose and under the terms of the license granted by IWI US, Inc. to the recipient. Acceptance of this document will be construed as acceptance of the foregoing conditions. Any unauthorized use of the document may violate copyright, trademark, privacy and publicity laws and other civil and criminal statutes and contractual rights.

In the interest of product improvement, its design and performance characteristics may be changed at any time without prior notice.

IWI US, Inc. • 1441 Stoneridge Drive • Middletown, PA 17057
• Tel: +1 (717) 695-2081 • Fax: +1 (717) 412-0873 •
service@iwi.us

WWW.IWI.US

