

# INSTRUCTION MANUAL FOR

STAINLESS  
STEEL



CALIBER  
.45 Auto (.45 ACP)

## RUGER® P345®

MANUAL SAFETY MODEL PISTOL



**READ THE INSTRUCTIONS AND  
WARNINGS IN THIS MANUAL CAREFULLY  
BEFORE USING THIS FIREARM**

© 2012 Sturm, Ruger & Co., Inc.

This manual may not be reproduced in whole or in part without the express written permission of Sturm, Ruger & Co., Inc.

**For Service on This Model Please Call:  
(928) 778-6555 (See p. 29)**

THIS INSTRUCTION MANUAL SHOULD ALWAYS ACCOMPANY THIS FIREARM AND BE TRANSFERRED WITH IT UPON CHANGE OF OWNERSHIP, OR WHEN THE FIREARM IS LOANED OR PRESENTED TO ANOTHER PERSON

V & KV (P345) 1/12 C  
R7

## State-By-State Warnings

Certain states require by law that their own specified warning notices in larger-than-normal type be conspicuously included by the manufacturer, distributor, or retail dealer with firearms sold in that state. Sturm, Ruger sells its products in compliance with applicable laws and regulations. Because our products may be sold in these states, we include the following:

### California:

#### **! WARNING**

“Children are attracted to and can operate firearms that can cause severe injuries or death. Prevent child access by always keeping guns locked away and unloaded when not in use. If you keep a loaded firearm where a child obtains and improperly uses it, you may be fined or sent to prison.”

#### **! ADVERTENCIA**

“A los niños los atraen las armas de fuego y las pueden hacer funcionar. Ellos pueden causarse lesiones graves y la muerte. Evite que los niños tengan acceso a las armas de fuego guardándolas siempre con llave y descargadas cuando no las esté utilizando. Si usted tiene un arma de fuego cargada en un lugar en que un niño tiene acceso a ella y la usa indebidamente, le pueden dar una multa o enviarlo a la cárcel.”

### Connecticut:

“UNLAWFUL STORAGE OF A LOADED FIREARM MAY RESULT IN IMPRISONMENT OR FINE.”

### Florida:

“IT IS UNLAWFUL, AND PUNISHABLE BY IMPRISONMENT AND FINE, FOR ANY ADULT TO STORE OR LEAVE A FIREARM IN ANY PLACE WITHIN THE REACH OR EASY ACCESS OF A MINOR UNDER 18 YEARS OF AGE OR TO KNOWINGLY SELL OR OTHERWISE TRANSFER OWNERSHIP OR POSSESSION OF A FIREARM TO A MINOR OR A PERSON OF UNSOUND MIND.”

## **Maine:**

“ENDANGERING THE WELFARE OF A CHILD IS A CRIME. IF YOU LEAVE A FIREARM AND AMMUNITION WITHIN EASY ACCESS OF A CHILD, YOU MAY BE SUBJECT TO FINE, IMPRISONMENT OR BOTH. KEEP FIREARMS AND AMMUNITION SEPARATE. KEEP FIREARMS AND AMMUNITION LOCKED UP. USE TRIGGER LOCKS.”

## **Maryland:**

“WARNING: Children can operate firearms which may cause death or serious injury. It is a crime to store or leave a loaded firearm in any location where an individual knew or should have known that an unsupervised minor would gain access to the firearm. Store your firearm responsibly!”

## **Massachusetts:**

“WARNING FROM THE MASSACHUSETTS ATTORNEY GENERAL: This handgun is not equipped with a device that fully blocks use by unauthorized users. More than 200,000 firearms like this one are stolen from their owners every year in the United States. In addition, there are more than a thousand suicides each year by younger children and teenagers who get access to firearms. Hundreds more die from accidental discharge. It is likely that many more children sustain serious wounds, or inflict such wounds accidentally on others. In order to limit the chance of such misuse, it is imperative that you keep this weapon locked in a secure place and take other steps necessary to limit the possibility of theft or accident. Failure to take reasonable preventive steps may result in innocent lives being lost, and in some circumstances may result in your liability for these deaths.”

“IT IS UNLAWFUL TO STORE OR KEEP A FIREARM, RIFLE, SHOTGUN OR MACHINE GUN IN ANY PLACE UNLESS THAT WEAPON IS EQUIPPED WITH A TAMPER-RESISTANT SAFETY DEVICE OR IS STORED OR KEPT IN A SECURELY LOCKED CONTAINER.”

**New Jersey:**

“IT IS A CRIMINAL OFFENSE TO LEAVE A LOADED FIREARM WITHIN EASY ACCESS OF A MINOR.”

**New York City:**

“THE USE OF A LOCKING DEVICE OR SAFETY LOCK IS ONLY ONE ASPECT OF RESPONSIBLE FIREARM STORAGE. FOR INCREASED SAFETY, FIREARMS SHOULD BE STORED UNLOADED AND LOCKED IN A LOCATION THAT IS BOTH SEPARATE FROM THEIR AMMUNITION AND INACCESSIBLE TO CHILDREN AND OTHER UNAUTHORIZED PERSONS.”

**North Carolina:**

“IT IS UNLAWFUL TO STORE OR LEAVE A FIREARM THAT CAN BE DISCHARGED IN A MANNER THAT A REASONABLE PERSON SHOULD KNOW IS ACCESSIBLE TO A MINOR.”

**Texas:**

“IT IS UNLAWFUL TO STORE, TRANSPORT, OR ABANDON AN UNSECURED FIREARM IN A PLACE WHERE CHILDREN ARE LIKELY TO BE AND CAN OBTAIN ACCESS TO THE FIREARM.”

**Wisconsin:**

“IF YOU LEAVE A LOADED FIREARM WITHIN THE REACH OR EASY ACCESS OF A CHILD YOU MAY BE FINED OR IMPRISONED OR BOTH IF THE CHILD IMPROPERLY DISCHARGES, POSSESSES, OR EXHIBITS THE FIREARM.”

\* \* \* \* \*

Please check with your licensed retailer or state police for additional warnings which may be required by local law or regulation. Such regulations change constantly, and local authorities are in the best position to advise you on such legal matters.

**FIREARMS SAFETY IS YOUR RESPONSIBILITY**  
**SAFETY MUST BE THE FIRST AND CONSTANT  
CONSIDERATION OF EVERY PERSON WHO HANDLES  
FIREARMS AND AMMUNITION.**

This Instruction Manual is designed to assist you in learning how to use and care for your **RUGER® P345® PISTOL** properly. Please contact us if you have any questions.

Only when you are certain you fully understand the Manual and can properly carry out its instructions should you practice loading, unloading, etc. with live ammunition. If you have any doubts about your ability to handle or use a particular type of gun safely, you should seek supervised instruction. Such personalized instruction often is available from local gun retailers, gun clubs or police departments. If none of these sources can help, visit [www.nra.org/home](http://www.nra.org/home) or write to the following address:


National Rifle Association  
11250 Waples Mill Road  
Fairfax, VA 22030-7400

The person possessing a gun has a full-time job. You cannot guess; you cannot forget. You must know how to use your firearm safely. **Do not use any firearm without having a complete understanding of its particular characteristics and safe use.** Remember: There is no such thing as a foolproof gun.

## TABLE OF CONTENTS

State-By-State Warnings .....	2
Nomenclature .....	7
Locking Device Installation Instructions .....	8
General Information and Mechanical Characteristics .....	10
Operation of Manual Safety .....	11
Ammunition .....	13
To Load and Fire .....	14
Operation of Loaded Chamber Indicator .....	16
Operation of Magazine Disconnect .....	17
Dry Firing .....	17
To Uncock (Decock) The Pistol .....	18
To Unload .....	18
To Reload The Pistol .....	20
To Extract and Eject a Chambered Cartridge .....	20
To Clear a Malfunction (“Jam”) .....	21
To Minimize Malfunctions (“Jams”) .....	22
To Disassemble .....	22
To Reassemble .....	24
Magazine Inspection and Care .....	24
Care and Cleaning .....	25
Storage .....	27
Operation of Internal Lock .....	28
Sight Adjustment .....	29
Service and Parts Policy .....	29
Shipping Firearms for Repair .....	29
Ordering Parts .....	30
Parts List .....	31
Exploded View .....	34
<b>The Basic Rules of Safe Firearms Handling .....</b>	<b>35</b>
Warranty Information .....	40

“P345” and “Ruger” are registered U.S. trademarks.

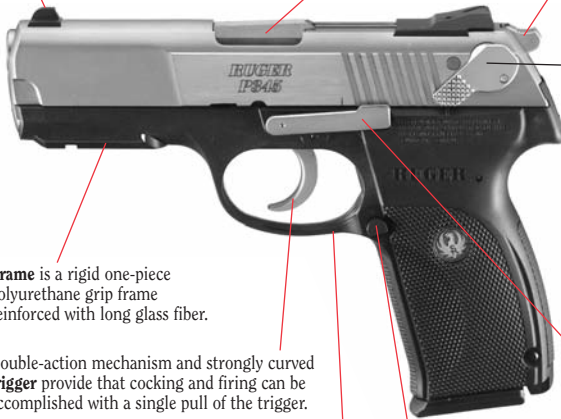
 <b>WARNINGS OF GREAT IMPORTANCE ARE FOUND ON THE FOLLOWING PAGES:</b>			
Locking Devices	8	Slide Retraction	19
Alterations	10	Malfunctions	21
Manual Safety	12	Disassembly	24
Ammunition	13	Lubrication	26
Lead Exposure	13	Storage	27
Firing	15	Shipping	29
Handling	17	Parts Purchasers	30
Unloading	18		
<b>OTHER CAUTIONS AND WARNINGS APPEAR THROUGHOUT THE MANUAL.</b>			

# NOMENCLATURE

**Sights** have high-visibility white dots both front and rear. Both sights can be adjusted for windage.

**Slide's** open-top design minimizes possibility of jamming, enables shooter to clear any malfunction easily by hand.

Grooved, exposed **hammer spur** enables the shooter to cock the hammer easily for accurate single-action firing if desired.



When ambidextrous **manual safety** is in "safe" position, the firing pin is cammed forward into the slide. This simultaneously places the firing pin out of reach of the hammer and locks the firing pin in a neutral position, preventing the firing pin from movement toward the cartridge.

**Frame** is a rigid one-piece polyurethane grip frame reinforced with long glass fiber.

Double-action mechanism and strongly curved **trigger** provide that cocking and firing can be accomplished with a single pull of the trigger.

Oversize **trigger guard** permits shooting with gloved hand.

The **magazine latch** permits positive retention and quick removal of magazine.

**Slide stop** holds the slide open and is activated automatically when last shot is fired (if magazine is in pistol), or can be manually operated.

**Internal Lock** can be used to lock the manual safety in the "ON" (S) position by use of a key-operated locking device. (See "Operation of the Manual Safety," p. 11.)

**Loaded Chamber Indicator** protrudes from the top of the slide and provides a visual indication when a round is present in the firing chamber.



The **Accessory Rail** (unavailable on some models) accepts most lights and sighting devices designed to fit the M1913 Picatinny Standard Rail.

The **Magazine Disconnect** is designed to prevent the pistol from being fired when the magazine is removed, even if a live round remains in the firing chamber.

## WHY ARE WE INCLUDING A FIRED CARTRIDGE CASE WITH EVERY RUGER PISTOL AND REVOLVER?

Certain states and jurisdictions require that all newly manufactured pistols and revolvers must be accompanied by a cartridge case, which has been test fired from that gun at the factory. The case must be placed in a sealed container bearing certain information concerning this test cartridge.

At the time of retail sale in those jurisdictions, firearms dealers must forward such test cartridge to a designated destination such as their State Police Laboratory. As independent distributors of Ruger® firearms have nationwide markets without territorial restrictions, we have decided to include a fired cartridge case with all new Ruger pistols and revolvers, to minimize the possibility of inadvertent non-compliance with these laws.

Retail customers located in other states, where laws or regulations do not require the dealer to so act, may be assured that the fired cartridge case they receive with the firearm at the time of retail purchase is proof that your new Ruger firearm has undergone our normal test firing procedures during manufacture.

## LOCKING DEVICE INSTALLATION INSTRUCTIONS



### WARNING – USE OF LOCKING DEVICES



- Always keep your firearm pointed in a safe direction, including when you are installing or removing your locking device.
- Always verify that your firearm is completely **unloaded** before installing your locking device.
- Do **not** install locking devices in the trigger guard; always keep your fingers and locking device outside the trigger guard during device installation and removal.
- Store firearms, ammunition and keys separately and securely, away from children and careless adults; do **not** store your firearm with the keys in the locking device.
- Do not attempt to work the action of your firearm with the locking device in place; this may damage your firearm.
- While locking devices are an important aid to security measures, they are not a substitute for safe firearm handling and proper storage. Remember that any mechanical device can be bypassed with enough time, knowledge, determination and equipment.

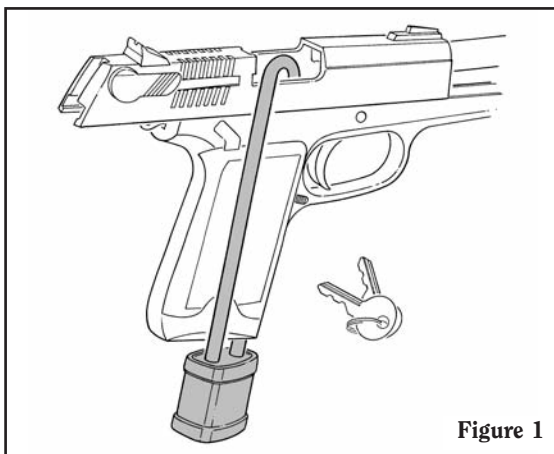
**LOCKING DEVICES MUST BE USED  
SAFELY AND RESPONSIBLY**



**Use the Correct Lock:** While the basic locking device is substantially similar for all Ruger® firearms, due to the different shapes of the many Ruger® firearms, some firearms utilize different locking devices. The lock with a 5” shackle is for use with **RUGER® P345®** Manual Safety Model Pistols. **It is very important to use the correct locking device!**

### **To Install the Factory-Supplied Locking Device:**

1. **Keep the muzzle pointed in a safe direction and your fingers outside the trigger guard at all times!**
2. **Be sure the firearm is completely unloaded and contains no cartridges or cartridge cases!**
3. Open the action completely. Use the slide stop to keep the action open during installation of the locking device.
4. Remove the magazine from your pistol and apply the locking device by placing the shackle of the lock into your pistol as shown below.
5. Close the lock by pressing the shackle into the body of the lock (the part that receives the key) as tightly together as possible. The lock has bumpers and the shackle is coated with a non-marring material that will not harm the metal finish of your firearm; be careful not to dent the frame or grip panels of the pistol.
6. Once the lock is securely closed, remove the key and pull firmly on the lock to test the connection and be sure it is locked. **Do not leave or store your firearm with the key in the lock!** Store your locked unloaded firearm and the key in secure, separate locations, away from ammunition, children, or unauthorized adults.



**Figure 1**

***Correct Installation of Lock  
For Ruger® P-Series Pistols Only***

**FIREARMS ARE DANGEROUS WEAPONS -  
READ THE INSTRUCTIONS AND WARNINGS  
IN THIS MANUAL THOROUGHLY AND  
CAREFULLY BEFORE USING.**

 <b>WARNING - ALTERATIONS</b>	
	This product was designed to function properly in its original condition. Alterations can make it unsafe. Do not alter any part or add or substitute parts or accessories not made by Sturm, Ruger & Co. Inc.
	<b>DO NOT ALTER ANY GUN</b>

## **GENERAL INFORMATION AND MECHANICAL CHARACTERISTICS**

The **RUGER® P345®** pistols are centerfire, compact, double action, magazine-fed, autoloading, recoil-operated pistols chambered for the .45 Auto (.45 ACP) cartridge. They incorporate a different “link-less” design in the barrel locking/unlocking system than earlier Ruger P-Series pistols, and feature a streamlined slide and Isoplast® polymer grip frame construction. They comply with the requirements of the National Institute of Justice Standard - 0112.00. They include the following features with which users should be thoroughly familiar:

**Action:** The action of the Ruger P345 manual safety model pistol is of the U.S. M1911 type that utilizes a tilting barrel design in which the barrel and slide are locked together at the moment of firing. After firing, the barrel and slide recoil to the rear a short distance while still locked together. After this initial movement, the barrel is cammed downward from its locked position, permitting full recoil of the slide and the extraction and ejection of the spent cartridge case. Upon return of the slide to its forward position by the recoil spring, the barrel is cammed back upward into its locked position in the slide.

The user of this or any autoloading pistol must always remember that when fired, it automatically reloads and recocks itself, so that simply pulling the trigger will fire the pistol again. Therefore, an autoloading pistol user must be particularly conscious to always keep the pistol pointed in a safe direction.

**Slide Stop:** When the last shot has been fired and the magazine is empty, the slide stop automatically holds the slide open. When there is an empty magazine in the pistol and the slide is retracted manually, the slide stop will also automatically hold the slide open. If a loaded magazine is inserted in the pistol when the slide is closed and the slide is then retracted fully, the slide stop will not automatically hold open the slide. The user can actuate the slide stop mechanism to hold the slide open at any time by retracting the slide and pushing the slide stop up.

The slide stop can be released by drawing back slightly on the slide and depressing the slide stop thumbpiece. When the slide is released, it will move forward under pressure from the recoil spring.

The slide stop is spring loaded downward. Therefore, when there is a loaded magazine in place and the pistol is jarred, the slide can fly forward and chamber a cartridge. For this reason and as an essential safety practice, **the user should always be careful to keep fingers away from the trigger, keep the safety on, and always keep the pistol pointed in a safe direction.**

**Magazines:** The Ruger .45 Auto (.45 ACP) magazines are not interchangeable with Ruger pistol magazines of any other caliber even though they may appear similar and may hold other cartridges. Use of incorrect magazines in any pistol will result in malfunctions.

## OPERATION OF MANUAL SAFETY

The model you have selected is equipped with special, manual, ambidextrous safety levers that also allow you to decock (uncock) a cocked pistol without manipulating the trigger. Conventional thumb decocking procedures are therefore not necessary and should not be employed with this pistol.

To apply the manual safety and decock the pistol, **point the pistol in a safe direction.** Move either the right- or left-hand safety lever downward and fully to the “safe” position. When the safety is moved fully downward to the “safe” position, the white dot is exposed through the hole in the side of the left safety lever. In this position: (1) the firing pin is blocked from moving forward; (2) the hammer is blocked from contacting the firing pin; (3) the trigger cannot be pulled back far enough to release the hammer (at this point, the hammer will fall to its forward (decocked) position); and (4) you can engage the internal lock. (See p. 27.)

The safety mechanism provides that the hammer cannot contact the firing pin unless the safety is disengaged. With the hammer cocked, actuating the safety mechanism automatically drops the hammer onto the slide without contacting the firing pin. Thus, the safety also serves as a decocking lever.

Additionally, the pistol has a separate internal firing pin block which will not allow the firing pin to move forward and contact the cartridge until the operator pulls the trigger with the safety off (in its “fire” position).

The pistol can and should be loaded and unloaded with the safety engaged in its “safe” position (lever fully down, white dot exposed). **The safety should be in its “safe” position at all times except when the user is deliberately positioned to fire at a selected target. When the safety is in the “fire” position (safety lever up) the red dot is exposed through the hole in the left safety lever.** See Figures 2 and 3, below, which illustrate the two positions of the safety.

## OPERATION OF MANUAL SAFETY

### “SAFE” POSITION

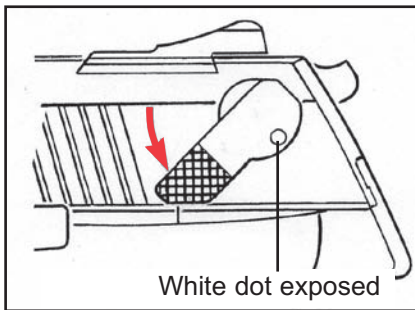


FIGURE 2

### “FIRE” POSITION

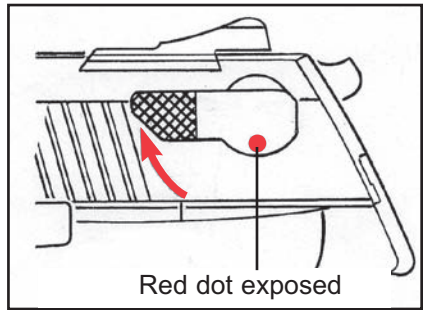


FIGURE 3



## WARNING - MANUAL SAFETY



Placing the safety in an intermediate position between “safe” and “fire” can result in the user thinking the pistol is in a safe or fire position when it is not. Pulling the trigger with the safety in an intermediate position may cause the pistol to fire. Therefore, always move the safety fully to its intended position and then check to be sure it is where you want it to be. Unless the white dot is fully visible, the safety is not “ON.” Unless the red dot is fully visible, the pistol is not absolutely ready to fire.

**NEVER PUT SAFETY 1/2 ON**

# AMMUNITION



The **RUGER® P345®** pistols are chambered for the .45 Auto (.45 ACP) cartridge. Do not attempt to load any other .45 caliber cartridges into the magazine or chamber of the pistol.

The Ruger P-Series pistols are compatible with all factory ammunition of the correct caliber loaded to U.S. Industry Standards, including high-velocity and hollow-point loads, loaded in brass, aluminum, or steel cartridge cases. No .45 Auto ammunition manufactured in accordance with NATO, U.S., SAAMI, or CIP standards is known to be beyond the design limits or known not to function in these pistols.

 <b>WARNING – AMMUNITION</b>	
	Death, serious injury, and damage can result from the use of wrong ammunition, bore obstructions, powder overloads, or incorrect cartridge components.  <u>Always</u> wear shooting glasses and hearing protection.
<b>IMPROPER AMMUNITION DESTROYS GUNS</b>	

## AMMUNITION (CARTRIDGES) NOTICE

WE SPECIFICALLY DISCLAIM RESPONSIBILITY FOR ANY DAMAGE OR INJURY WHATSOEVER OCCURRING IN CONNECTION WITH, OR AS A RESULT OF, THE USE IN RUGER FIREARMS OF FAULTY, OR NON-STANDARD, OR “RE-MANUFACTURED”, OR HAND-LOADED (RELOADED) AMMUNITION, OR OF CARTRIDGES OTHER THAN THOSE FOR WHICH THE FIREARM WAS ORIGINALLY CHAMBERED.

 <b>WARNING - LEAD EXPOSURE</b>	
	Discharging firearms in poorly ventilated areas, cleaning firearms, or handling ammunition may result in exposure to lead and other substances known to the State of California to cause birth defects, reproductive harm, and other serious physical injury. Have adequate ventilation at all times. Wash hands thoroughly after exposure.
<b>SHOOTING OR CLEANING GUNS MAY EXPOSE YOU TO LEAD</b>	

## TO LOAD AND FIRE

Practice this important aspect of safe gun handling with an unloaded pistol until you can perform each of the steps described below with skill and confidence. **But before you do anything with the pistol, first read completely through this manual.**

1. **Be certain the muzzle is pointed in a safe direction.** (See “The Basic Rules of Safe Firearms Handling,” page 35.)
2. **Move either the right- or left-hand safety lever fully downward to its “safe” position so that the white dot is fully exposed.** (See Figures 2 and 3 on page 12.)
3. Press the magazine latch inward from the left side and remove the magazine from the frame. **NOTE:** The magazine is designed to fall free of the frame of its own weight when unloaded, the slide is locked open and the pistol is held in the normal firing position, but you should always prevent possible damage to the magazine by not letting it drop to the ground unless rapid reloading is absolutely necessary.
4. Place eight (8) or fewer .45 Auto cartridges into the magazine from the top.
5. Insert the magazine into the frame, taking care that the magazine is locked in place by the magazine latch. Slamming the magazine into the frame forcibly is not necessary.
6. Hold the pistol firmly in the shooting hand but **do not touch the trigger.** **Keep the pistol pointed in a safe direction and the safety “on.”** With the thumb and forefinger of the other hand grasp the **rear** of the slide and pull the slide to the rear as far as it will go (see Figure 5, below and “Slide Retraction Warning,” p. 19). When released, the slide will fly forward to strip the top cartridge from the magazine and chamber it. The safety mechanism drops the hammer automatically as the slide moves forward while simultaneously blocking the firing pin.

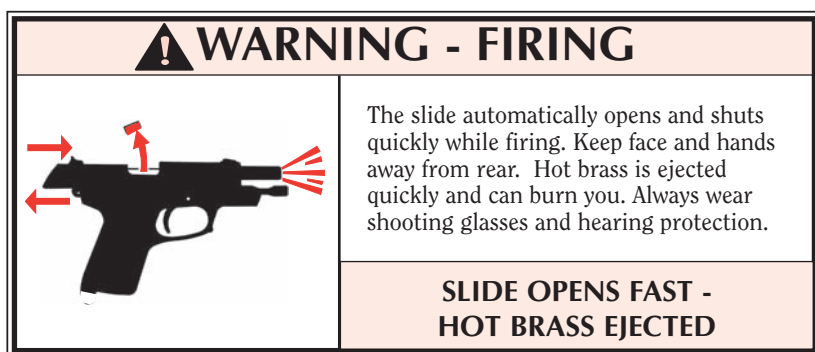
The trigger is inoperable when the safety is fully engaged in its “safe” position (lever fully down and white dot exposed; see Figure 2 on page 12). **WARNING:** **The pistol is ready for instant use in the single-action mode once the slide moves forward if the safety is in the “fire” position. Be careful!**



**FIGURE 5**

Slide in Retracted Position

7. If the pistol is not to be fired immediately, the safety should remain in its “safe” position (see Figure 2, p. 12).
8. If the pistol is to be fired immediately, the manual safety can be rotated upward to its “fire” position (see Figure 3, p. 12). The firing pin is still blocked at all times by the internal firing pin block unless the trigger is pulled all the way to the rear.
9. The pistol is ready for instant use once the safety is disengaged. When the pistol is in the “uncocked” mode (hammer forward), the first shot can be fired double-action by pulling the trigger all the way to the rear, which cocks the hammer and then fires the pistol. Subsequent shots are fired single-action until the magazine is empty, the hammer being cocked by the slide as it recoils from each shot. Note that the trigger pull is much lighter for these subsequent shots.



10. For greater accuracy and consistent trigger pull, the hammer may be manually cocked by the shooter before the first shot is fired once the safety is “off.” **Keep your finger off the trigger while cocking the hammer!** The hammer will be automatically cocked as described above for subsequent shots.
11. Immediately following the firing of a shot, and if a subsequent shot is not to be fired at once, put the safety in its “safe” position (lever fully down and white dot exposed) while the pistol is still pointing in a safe direction downrange. This will also uncock (decock) the pistol.
12. When the last cartridge loaded into the pistol has been fired, the magazine follower presses the slide stop upward to engage the slide automatically holding the action open. **If the slide is shut, the shooter should always assume that there is a cartridge in the chamber!**

Don't rely on your memory to know if a gun or magazine is loaded. With the pistol pointed in a safe direction, visually inspect the magazine and chamber.

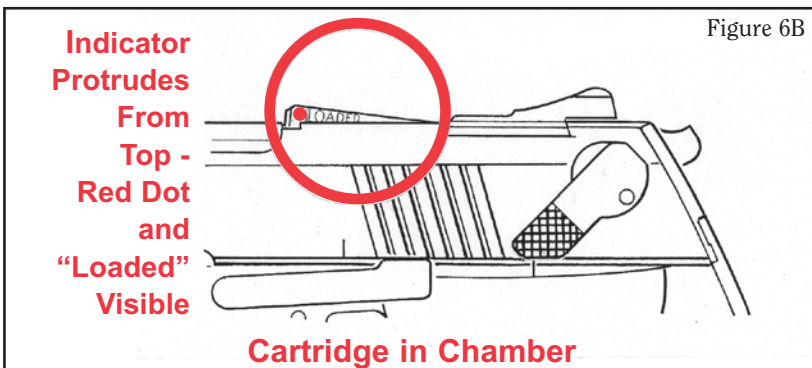
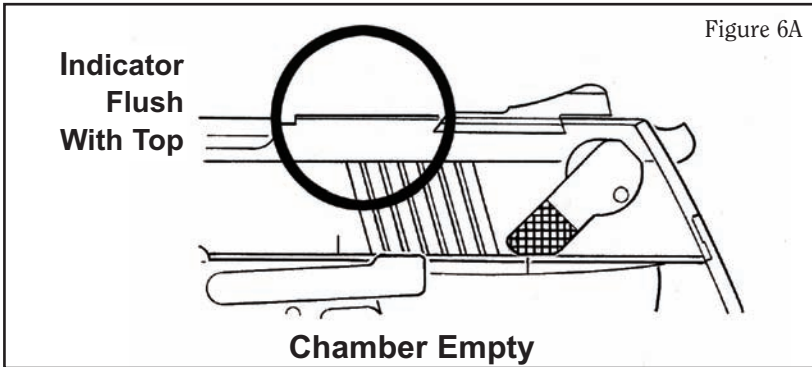
## OPERATION OF LOADED CHAMBER INDICATOR

You should always treat every gun as though it is loaded and always keep the muzzle pointed in a safe direction. Never rely upon any safety or mechanical device to justify unsafe or careless gun handling. In order to assist you in determining the presence of a cartridge in the chamber of your **RUGER® P345®** pistol, it is equipped with a loaded chamber indicator. The indicator appears on the top of the slide. (See “Nomenclature,” p. 7.)

When the chamber is empty, the loaded chamber indicator should be flush with the top of the slide. (See Figure 6A, below.)

When the chamber is loaded, the forward portion of the loaded chamber indicator should protrude from the top of the slide. When the chamber contains a cartridge, a red dot and the word “loaded” should be visible on either side of the loaded chamber indicator. (See Figure 6B, below.)

### OPERATION OF LOADED CHAMBER INDICATOR



**NEVER RELY ON YOUR MEMORY OR ANY LOADED CHAMBER INDICATOR TO KNOW IF A GUN IS LOADED. ANY MECHANICAL DEVICE CAN FAIL. ALWAYS VISUALLY CHECK THE CHAMBER BY RETRACTING THE BOLT AND EXAMINING THE CHAMBER TO BE SURE WHETHER IT IS EMPTY OR LOADED.**



## OPERATION OF MAGAZINE DISCONNECT

Your **RUGER® P345®** pistol is equipped with a magazine disconnect. This device prevents firing if the magazine is removed from the pistol. You will not be able to use your **P345®** pistol as a single loader or to fire the pistol with the magazine out of the pistol.



**REMEMBER THAT A ROUND MAY STILL BE IN THE CHAMBER AND THAT THE PISTOL MAY STILL BE LOADED EVEN IF THE MAGAZINE IS REMOVED. AS SOON AS AN EMPTY MAGAZINE IS INSERTED, A ROUND IN THE CHAMBER CAN BE FIRED BY PULLING THE TRIGGER.**

**BE CAREFUL!** AS ALWAYS, YOU SHOULD NOT RELY UPON THE MAGAZINE DISCONNECT OR ANY OTHER MECHANICAL DEVICE OR SAFETY TO JUSTIFY CARELESS OR UNSAFE HANDLING OF ANY FIREARM.

Don't rely on your memory to know if a gun or magazine is loaded. Visually inspect the magazine and the chamber.



### WARNING - HANDLING



Do not load the pistol until you are ready to use it, and unload it immediately when you have completed shooting. (See "Warning - Unloading" on page 18.)

If dropped or struck, the pistol may fire. Keep chamber empty unless actually firing! Use the safety lever to decock pistol before moving with pistol or when not actually firing.

For maximum safety when carrying the pistol with a loaded magazine in place, the chamber should be empty, the slide should be closed, and the pistol should be decocked. **Never carry it cocked!** If placed into a holster, check it to be sure that the slide is not retracted far enough to either chamber a cartridge from the magazine or cock the pistol.

The user should never depend on any mechanical device to justify careless handling or permitting the pistol to point in an unsafe direction. The shooter should always be alert to the possibility of accidental discharge. **The only absolutely safe pistol is one in which the slide is open, the chamber is empty, and there is no magazine in the gun.**

**ANY GUN MAY FIRE IF DROPPED**

## DRY FIRING

Going through the actions of cocking, aiming and pulling the trigger on an unloaded gun is known as "dry firing." It can be useful to learn the "feel" of your pistol. Be certain that the pistol is fully unloaded (both the chamber and magazine are empty) and that the pistol is pointing in a safe direction even when you are practicing dry firing. The **RUGER® P345®** pistols can be dry-fired without damage to the firing pin or other components as long as the magazine is inserted.

**CAUTION:** Dry firing your **RUGER® P345®** with the magazine removed may result in damage or unnecessary wear to the firing pin blocking mechanism.



## TO UNCOCK (DECOCK) THE PISTOL

With the muzzle pointed in a safe direction, engage the safety fully. The hammer will drop near the end of the safety's travel. Although this may appear startling, it is important to note that the firing pin is cammed forward into the slide and locked in a neutral position thus preventing forward movement toward the cartridge; therefore, the pistol will not fire when the safety is applied. Manually decocking the hammer with the thumb is neither necessary nor recommended. Always use either the right- or left-hand safety lever. Remember that when you return the manual safety to the firing position, the pistol can fire when the trigger is pulled if a cartridge is in the chamber and the magazine is in the gun.

## TO UNLOAD

**WARNING:** This sequence must be followed exactly as outlined. Failure to do so can result in the chamber being unintentionally loaded with a live cartridge!

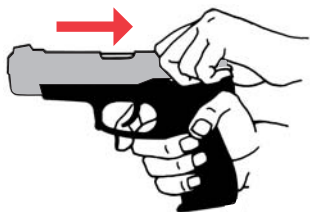
1. The muzzle of the pistol must be pointing in a safe direction at all times, and fingers should be outside of the trigger guard. Put the safety in its "safe" position (see Figure 2 on page 12) by rotating the safety fully downward until the white dot shows through the left safety lever. The safety can be engaged whether the pistol is cocked or not.
2. Remove the magazine from the pistol by pushing in on the magazine latch. **REMEMBER** that even though the magazine has been removed, a live round may remain in the chamber. (See "Warning - Unloading," below.)
3. Hold the pistol firmly and grasp the slide. Retract the slide to its rearmost position briskly to extract and eject any chambered cartridge. Always double check visually that the chamber, breech-face, and the interior of the frame are clear of any live rounds. When the slide is fully retracted, push upward on the slide stop, then allow the slide to move forward until it comes to rest with the rear projection of the slide stop resting in the notch on the lower left side of the slide.

 <b>WARNING - UNLOADING</b>	
	Removing magazine does not unload pistol! To unload, <u>first</u> remove magazine, <u>then</u> pull slide to rear, eject chambered cartridge, and <u>visually inspect chamber to be sure it is empty.</u> The safety should always be in its "Safe" position when loading or unloading the pistol. <u>Always point the pistol in a safe direction when loading or unloading.</u>
	<b>REMOVING MAGAZINE DOES NOT UNLOAD CHAMBER</b>

## CORRECT UNLOADING SEQUENCE



## WARNING - SLIDE RETRACTION



The slide should always be pulled rearward (“retracted”) by pulling the rear portion of the slide in the vicinity of the safety, the decock-only lever, or the serrations (depending upon model). **Always keep fingers away from trigger!**



Never put any part of your hands or body over the muzzle while retracting the slide for loading, unloading, inspection, or clearing a malfunction.

**KEEP HANDS  
AWAY FROM MUZZLE AND  
FINGER OFF TRIGGER**

4. To close the slide, **again check to be sure the chamber and breech-face are empty.** Pull the slide to its rearmost position and release it. The slide will snap forward. Keep fingers out of ejection port on top of slide!
5. If the magazine contains cartridges, they can be removed by sliding each cartridge forward and out of magazine, one at a time, until the magazine is empty.
6. Push empty (unloaded) magazine into frame until magazine latch locks it in place.

## TO RELOAD THE PISTOL

1. Firing all cartridges in the magazine and the chamber will cause the slide to automatically lock open. **Keep the pistol pointed in a safe direction.** Reloading can be accomplished by moving either the right- or left-hand safety lever fully downward to the “safe” position (lever fully down and white dot exposed) and then pressing in on the magazine latch with the thumb or forefinger. The magazine will fall free of the pistol of its own weight if the slide is locked open. To avoid the possibility of damage to the magazine, do not let it fall to the ground unless rapid reloading is absolutely necessary.
2. Insert a loaded magazine. **WARNING: The slide stop is held in place by the slide pressing against the rear of the slide stop. Therefore, when there is a loaded magazine in place and the pistol is jarred, the slide can fly forward and chamber a cartridge. For this reason and as an essential safety practice, the safety of the pistol should always be fully “on” except when the user is positioned to fire the gun at a selected target.**
3. Release the slide to move forward by either depressing the rear portion of the slide stop or pulling the slide fully to the rear and release it. A cartridge will be chambered when the slide shuts. If you are ready to fire immediately move the manual safety fully upward to its “Fire” position. **WARNING: The pistol is ready to fire in the “double-action” mode once manual safety is disengaged.** It can also be recocked to fire in the single-action mode.
4. If the pistol is not to be fired immediately, depress the manual safety fully until the hammer drops and **keep the safety “on” at all times except when actually firing.** When you are finished firing the pistol, unload it completely (see pages 18 - 20).



## TO EXTRACT AND EJECT A CHAMBERED CARTRIDGE

When the pistol is fired, the same gas pressure that drives the bullet forward also acts through the cartridge case to push the slide to the rear. The action causes extraction and ejection of the fired cartridge case. If a cartridge fails to fire or if the shooter wishes to eject the chambered cartridge manually, follow the procedure “To Unload,” p.18. When the slide is operated by hand, there can be a failure to extract the cartridge from the chamber, or a failure to eject the

cartridge clear of the pistol. These failures usually are the result of the slide not being pulled rearward vigorously. From the foregoing, it is clear that the gun user must:

1. Always visually check the chamber and the breech-face after opening the slide to eject a chambered cartridge. If the slide is not vigorously retracted when being operated by hand, the extracted cartridge can be “ejected” into the magazine-well of the grip frame or remain held to the breech-face by the extractor.
2. Thoroughly clean the chamber and the extractor as often as necessary.

If an empty magazine is in the pistol when the slide is being hand retracted to extract a cartridge, the cartridge may drop on top of the magazine or remain held to the breech-face by the extractor. Then when the slide goes forward, the cartridge will be chambered again! **Remember — always remove the magazine before clearing the chamber, and visually ensure that no cartridges remain in the gun.**

<b>⚠ WARNING - MALFUNCTIONS</b>	
	<p>Any autoloading pistol may occasionally malfunction. If a cartridge hangs up, jams, or binds when being chambered, do not attempt to force it into the chamber by pushing or striking the slide. Carefully remove it.</p> <p>Most failures of a cartridge to feed or to chamber properly are caused by a damaged magazine, incorrect gun handling, insufficient lubrication, or improper ammunition.</p> <p>Whatever the cause, the user of the pistol must, above all, recognize that any cartridge jam can result in a potentially very dangerous situation of a cartridge discharging before it is properly chambered. If this happens, the cartridge case may rupture and its fragments fly out of the ejection port of the pistol with sufficient force to cause serious injury. <b>Always wear shooting glasses!</b></p>
	<b>HITTING PRIMER CAN BURST CARTRIDGE</b>

## TO CLEAR A MALFUNCTION (“JAM”)

1. **Be certain the muzzle is continually pointed in a safe direction and that the safety lever is in the “safe” position (lever fully down and white dot exposed).**
2. If possible, remove the magazine. It may be necessary to manually remove a jammed cartridge that has only been partially stripped from the magazine. If so, use extreme care. Lock the slide open with the slide stop before attempting

to clear the jam. Drawing the slide fully to the rear may bring the jammed cartridge along. **Keep your face away from the ejection port during this operation.** When attempting to clear a jam, use only wood “tools” so that the cartridge will not be damaged or the primer ignited. A 3/16” wooden dowel with a point on one end is useful.

3. Visually check to make sure that all cartridges have been removed from the pistol. Safely dispose of any cartridges involved in a malfunction incident. Do not use damaged ammunition in any firearm.

## TO MINIMIZE MALFUNCTIONS (“JAMS”)

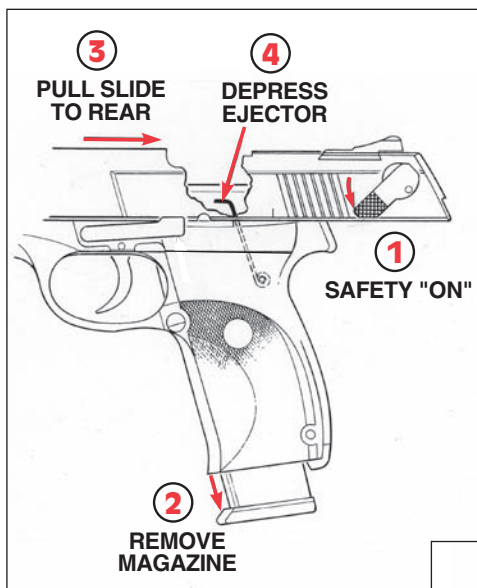
1. If it appears that the jam was caused by the type of ammunition being used, try another brand, type, or lot number. Remember — use only factory ammunition of the correct caliber.
2. If changing ammunition does not at once eliminate malfunctions, then the following steps should be taken:
  - a. Thoroughly clean the pistol, paying particular attention to the removal of accumulated grease and dirt. Use a bristle brush and solvent to remove grease and fouling from the breech-face, extractor, chamber, and feed ramp area immediately behind the chamber.
  - b. Check to be sure that the magazine spring firmly returns the magazine follower to the top of the magazine.
  - c. Check the magazine lips to be certain that they are free of nicks and burrs and that they are not deformed or cracked.
  - d. Remove excess oil and solvent from all cleaned components, load the magazine, and try the pistol again. Make sure you are following the correct loading and firing sequence as described in this manual.
  - e. If none of the above steps is effective, try a different magazine of Ruger manufacture. If a new magazine does not function correctly, return the pistol and magazines to the Ruger Customer Service Department. (See “Shipping Firearms For Repair” on page 29.)
  - f. **Alterations to the pistol or use of non-Ruger magazines and accessories may cause malfunctions. See “Warning - Alterations” on page 10.**

## TO DISASSEMBLE

**Be sure pistol is unloaded!**

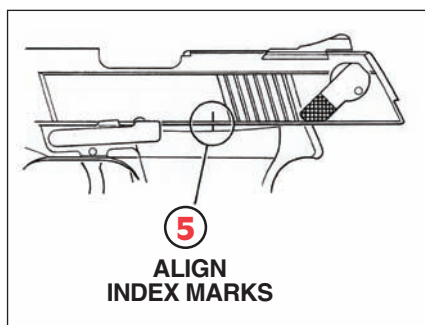
1. **Keep pistol pointed in a safe direction and place safety lever in the “safe” position** (lever fully down and white dot exposed). Press down on the magazine latch and withdraw magazine from butt of pistol.
2. Pull slide to rear and lock in open position by pressing upward on rear end of slide stop. **Again, be sure chamber is empty!**
3. Keep upward pressure on slide stop to prevent forward movement of slide. Open slide is under strong spring tension and could injure fingers if allowed to slam shut. Insert finger (or another non-metallic object such as the eraser end

of a pencil) through top of slide and push ejector downward and forward (see Figure 7, below) until it locks in its lower position. This will permit forward movement of slide. Further disassembly is impossible unless this is done.



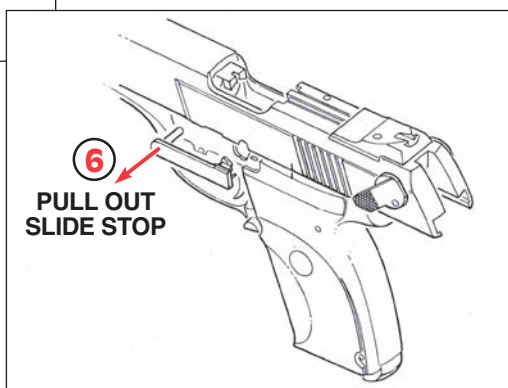
**FIGURE 7**

Press slide stop up. Depress ejector.



**FIGURE 8**

Index marks aligned.





**FIGURE 9**

Slide stop in disassembly position.

4. Remove fingers from ejection port. Grasp slide tightly. Now press down on slide stop and allow slide to move slowly forward until the vertical disassembly line on the frame is aligned with the vertical disassembly line on the slide. (See Figure 8, above.) Press in on right-hand end of slide stop and pull slide stop out of frame to the left until it is withdrawn completely out of the frame. (See Figure 9, above.)
5. Push slide forward and remove entire slide assembly to the front.
6. With slide held upside down, lift rear end of camblock/recoil spring assembly to disengage it from its seat against the barrel lug. Withdraw the camblock/recoil spring assembly to the rear of the slide.

- Pull barrel upward out of slide slightly and withdraw to the rear.
- This completes normal fieldstripping for routine cleaning and lubrication purposes. Further disassembly of slide or frame components is not recommended and should only be undertaken by the factory.

 <b>WARNING - DISASSEMBLY</b>	
	<p style="color: red; text-align: center;">Always unload a firearm before cleaning, lubrication, disassembly or assembly.</p>
<b>UNLOAD BEFORE DISASSEMBLY</b>	

## TO REASSEMBLE

- Be certain chamber and magazine are empty.
- With slide held upside down, replace barrel and push it rearward into its locked position.
- Replace camblock and recoil spring assembly into position. Rear end of camblock seats against barrel lug. Make sure that the large end of the recoil spring goes into the slide.
- Be certain that ejector is locked in its lower (forward) position and that hammer is in its fired (uncocked) position.
- Replace slide onto frame far enough to see completely through the slide stop hole. Partially insert slide stop into frame.
- Pull slide back until disassembly line on frame is aligned with disassembly line on slide stop. Now push slide stop all the way through the frame to the right.
- Allow slide to move fully forward.
- Replace empty magazine in frame through butt of pistol. This action returns the ejector to its working position. This pistol will not function normally unless the ejector is in its upward (rearward) position.

## MAGAZINE INSPECTION AND CARE

Check the magazine frequently. The magazine follower must move freely and have adequate tension so that each cartridge is quickly raised to the feeding position. The magazine lips should be clean and free of cracks, dents, or nicks, so that cartridges are held in their proper feeding position.

If the magazine becomes dirty, it should be disassembled and thoroughly cleaned. All **RUGER**® .45 Auto (.45 ACP) magazines are manufactured with a snap-on base. The following disassembly instructions apply:



Snap-On Base - Use a punch to press in on the magazine spring seat where it protrudes into the hole in the magazine floorplate. Slide the magazine floorplate toward the front of the magazine, **be careful to prevent the forcible ejection of the magazine spring seat and compressed magazine spring.** Withdraw the magazine spring seat and magazine spring from the magazine body. Turn magazine upside down and remove magazine follower. Reassemble in reverse order.

When cleaning is necessary, use a solvent that will not rust the metal components or adversely affect the magazine body. After the magazine has been soaked to loosen foreign matter, be certain to shake it vigorously (with the loading opening away from you) to remove solvent or residue from within the magazine. **Penetrating oils and solvents inside a magazine can “kill” or weaken cartridge primers or powder which can result in failures to fire or other possibly dangerous malfunctions, such as leaving a bullet in the bore!**

After cleaning, always check to be certain that the magazine follower movement and tension are correct, and that no solvent or debris remain. **Improper reassembly of the magazine can cause failure to feed, which is a potentially dangerous malfunction. If cleaning does not restore proper tension, or if you experience a problem with the magazine, don't use it. Get a new one.**

**DAMAGED, NON-STANDARD, OR IMPROPERLY ASSEMBLED MAGAZINES SHOULD NOT BE USED. THEY CAN CAUSE THE PISTOL TO MALFUNCTION.**

## CARE AND CLEANING

### **Make Sure Gun Is Unloaded!**


**BEFORE CLEANING, BE CERTAIN THE PISTOL AND ITS MAGAZINE ARE UNLOADED.** (See “Warning - Unloading,” p. 18.)

At regular intervals, or whenever the pistol has been exposed to sand, dust, extreme humidity, condensation, immersion in water, or other adverse conditions, disassemble, clean, and oil it. Proper periodic maintenance is essential to the reliable functioning of any firearm.

To clean the pistol, proceed as follows:

1. Disassemble (fieldstrip) the pistol to the extent described on pages 22 - 24.
2. Using a cleaning rod, run a properly sized, solvent-wetted patch through the bore several times. Then attach a solvent-wetted bristle brush to a cleaning rod and run it back and forth the full length of the bore as many times as necessary to remove grease and dirt from the bore and chamber. Clean bore with dry patches and examine. Bore fouling can contribute to reduced accuracy, and grease accumulation in the chamber can interfere with proper feeding of cartridges from the magazine.

3. Using powder solvent on a clean patch or bristle brush, remove powder residue from all components of the pistol. After cleaning, run a dry patch through the bore, then follow with a patch that is very lightly oiled. Wipe all surfaces clean with cloth, then wipe all surfaces with a patch or cloth that has been very lightly oiled.
4. **NOTE:** Only a light application of oil is needed to provide adequate lubrication of moving parts and to prevent rust. Excess accumulations of oil tend to attract particles of dust and dirt and may congeal in cold weather, which can interfere with the safe and reliable function of the pistol.
5. Before firing, remove all oil and grease from the bore.

<b>⚠ WARNING - LUBRICATION</b>	
	<p>Firing a pistol with oil, grease, or any other material even partially obstructing the bore may result in damage to the pistol and serious injury to the shooter and those nearby. Do not spray or apply lubricants directly on ammunition. If the powder of a cartridge is affected by the lubricant, it may not be ignited, but the primer firing may push the bullet into the bore where it may be lodged. <b>Firing a subsequent bullet into the obstructed bore may damage the pistol and cause serious injury or death to the shooter and those nearby.</b> Use lubricants properly. You are responsible for the proper care and maintenance of your firearms.</p>
<b>IMPROPER LUBRICATION DESTROYS GUNS</b>	

## STORAGE

**GUNS SHOULD NOT BE STORED LOADED!**

**USE THE LOCKING DEVICE SUPPLIED WITH THE PISTOL TO RENDER IT INOPERATIVE FOR SAFE STORAGE.**

**(SEE PAGE 8)**

*Do not* keep your pistol in a leather, fabric or canvas holster when it is stored. These materials attract moisture, even though the holster may appear to be perfectly dry.

 <b>WARNING – STORAGE</b>	
	<p>Never place or store any firearm in such a manner that it may be dislodged. Firearms should always be stored securely and unloaded, away from children and careless adults. Use the locking device originally supplied with this firearm for storage.</p> <p>The use of a locking device or safety lock is only one aspect of responsible firearms storage. For increased safety, firearms should be stored unloaded and locked in a location that is both separate from their ammunition and inaccessible to children and any other unauthorized person.</p>
<b>STORE SECURELY &amp; UNLOADED</b>	

## OPERATION OF INTERNAL LOCK

Never rely upon any safety mechanism or mechanical device to justify unsafe or careless handling of a firearm. When securing your pistol or to prevent unauthorized access, you should rely first and foremost on the key-operated locking device supplied with your pistol. (See Page 8.) However, for added security, and to comply with certain state and local laws, your **RUGER® P345®** pistol is also equipped with a manually operated internal lock. When actuated, this internal lock will secure the manual safety in the "on" or "safe" position.

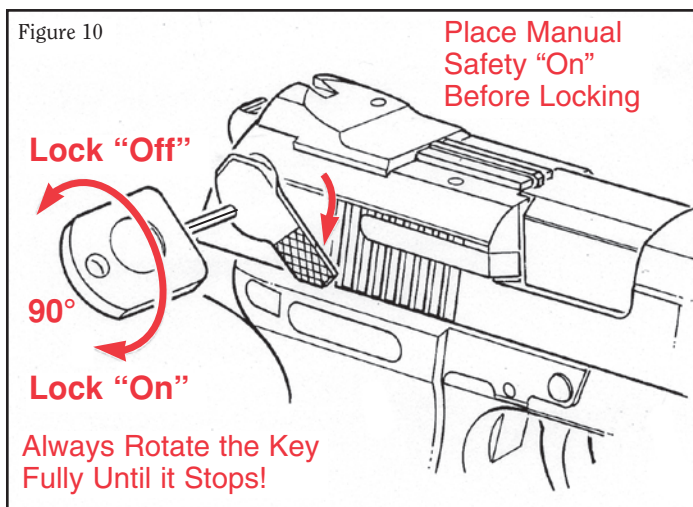
**Before activating the internal lock on your pistol, first visually inspect the chamber and magazine to verify that they are empty and do not contain any cartridges.**

To activate the internal lock, first make sure that the pistol is pointed in a safe direction and that the manual safety is in the "on" or "safe" position. With your safety in the "on" or "safe" position, the internal lock keyway is exposed through the hole in the right safety lever. (See "Nomenclature," p. 7.) Insert the key into the keyway and rotate the key fully clockwise (about 90° from the fully unlocked position) until it stops. (See Figure 10.) Only after you have fully rotated the key 90° clockwise until it stops, you should then remove the key and verify that the internal lock is engaged by attempting to move the safety to the "off" or "fire" position. If the internal lock is engaged, you will not be able to move the safety to the "off" or "fire" position.

To deactivate the internal lock, place the internal lock key into the internal lock keyway (see "Nomenclature," p. 7) and rotate the key counter-clockwise (about 90° from the fully locked position) until it stops. (See Figure 10.)

Be sure to store the internal lock key in a secure location, away from children and careless adults. Do not store your firearm with the key in the internal lock keyway. **Never lock a loaded gun – always unload the gun before locking.**

## OPERATION OF INTERNAL LOCK



**REMOVE KEY AFTER LOCKING OR UNLOCKING**

## SIGHT ADJUSTMENT

The **RUGER® P345®** Pistols are equipped with a rear sight which is adjustable for windage only. After the rear-sight lock screw has been loosened, the rear sight can be drifted laterally in its dovetail on the top of the slide by tapping it with a wooden- or plastic-headed hammer or similar implement. Move the rear sight in the direction you want the shot to move on the target. After the rear sight is adjusted, tighten the rear-sight lock screw. Both front and rear sights are provided with white-dot inserts for rapid target acquisition and easy alignment of the sights to obtain a correct sight picture.

## SERVICE AND PARTS POLICY

If you have any questions with regard to the performance of your **RUGER® P345®** pistol, please write or call (928-778-6555) our Customer Service Department in Prescott, Arizona, fully describing all circumstances and conditions involved. If you should return your pistol to the factory for repair, or order parts for it, please comply with the following suggestions for prompt service:



**WARNING—BEFORE SHIPPING ANY FIREARM, BE ABSOLUTELY CERTAIN THAT IT AND ITS MAGAZINE ARE UNLOADED. DO NOT SHIP CARTRIDGES WITH A FIREARM.**

## SHIPPING FIREARMS FOR REPAIR:

**RUGER® P345®** pistols returned to the factory for service or repair should be sent to: Sturm, Ruger & Company, Inc., Customer Service Department, 200 Ruger Road, Prescott, AZ 86301-6181. Telephone (928) 778-6555.



Guns should be sent prepaid. We will not accept collect shipments.

The Federal Gun Control Act, as well as the laws of most states and localities, do not prohibit an individual (who is not otherwise barred from purchasing or possessing a firearm) from shipping a firearm directly to the manufacturer for repair. However, before you ship your pistol to us, be certain that your state or locality does not have a law or regulation which will prohibit you from receiving the pistol from us after it has been repaired. If such receiving is prohibited, then please have a Federally Licensed Firearms Dealer ship the gun to us. If your pistol is sent to us by a dealer, it will be returned to that dealer after being repaired. If a handgun (pistol or revolver) is shipped by an individual who does not hold a Federal Firearms License, it must be shipped for overnight delivery via U.P.S., Federal Express or other, similar private overnight service. NOTE: Handguns may not be shipped via U.S. Mail. Persons who do not hold a Federal Firearms License are prohibited by Federal law from shipping a handgun by Mail. Handguns mailed in violation of the law are impounded by the Post Office.

Please do not include holster, custom grip panels, or accessories with a firearm being shipped to the factory for service. **DO NOT SEND GUN BOXES OR LITERATURE THAT YOU CONSIDER TO BE COLLECTOR'S ITEMS – THESE ARE INVARIABLY DAMAGED OR DESTROYED IN SHIPMENT.** Always insure your shipment.

Enclose a letter which includes your name, address, telephone number, and serial number and model of the firearm. Describe in detail the trouble you have experienced with your firearm, or the work you wish to have done. Merely stating that the firearm “needs repair” is inadequate information. Please enclose copies of any previous correspondence.

All work performed is subject to a minimum labor charge and charges for shipping and handling. Most models can be reblued, but custom gunsmithing service or nonstandard alterations are NOT AVAILABLE from Ruger Customer Service Departments. Please contact the Customer Service Department for pricing information.


 <b>WARNING - PARTS PURCHASERS</b>	
	It is the purchaser's responsibility to be absolutely certain that any parts ordered from the factory are correctly fitted and installed. Firearms are complicated mechanisms and <b>IMPROPER FITTING OF PARTS MAY RESULT IN A DANGEROUS MALFUNCTION, DAMAGE TO THE FIREARM, AND SERIOUS INJURY TO THE SHOOTER AND OTHER PERSONS.</b> The purchaser and installer of parts must accept full responsibility for the correct adjustment and functioning of the pistol after such installation.
	<b>PARTS MUST FIT CORRECTLY</b>

## ORDERING PARTS

Please contact our Prescott, Arizona Product Customer Department for parts availability and current prices. All parts orders for the **RUGER® P345®** pistols should be sent to: Sturm, Ruger & Company, Inc., Parts Department, 200 Ruger Road, Prescott AZ 86301-6181, (928) 778-6555. We cannot comply with open account or C.O.D. requests. Payment in full via credit card (Visa or MasterCard only), money order or certified bank check (no personal checks, please) is required before any service will be performed. Please provide your credit card number, your name as it appears on the credit card, and the expiration date. All parts orders are subject to a minimum charge and charges for shipping and handling. Order parts by Part Name and Part Number and include the entire serial number of the firearm for which the parts are being ordered. There is a minimum labor charge plus a shipping and handling charge if the parts are factory fitted. All factory fitted parts are fit on an exchange basis only. We will not return the replaced parts. Please contact the Customer Service Department for pricing information.

Because it is a serial numbered component, the **RUGER® P345®** frame is defined as a “firearm” by Federal law and is not sold as a separate component.

\*Parts designated by an asterisk must be factory fitted. These parts are fitted on an exchange basis only. We will not return the replaced parts. We will not return any part that is broken, malfunctioning, badly worn or has been modified. See “Warning - Parts Purchasers,” above.

	<b>CAUTION: A gun containing modified, broken, malfunctioning, or badly worn parts should not be fired!</b>
---	---

# RUGER® P345®

## PARTS LIST

Design, prices and specifications subject to change without notice.

SPECIFY MODEL AND CALIBER WHEN ORDERING

(See Exploded Views on Pages 34)

Key No.	Part Name	Part No.	Model
* 1	Slide	KV00135	KP345 & KP345PR
2	Front Sight	V03206	KP345 & KP345PR
3	Extractor Pivot Pin	KV06304	KP345 & KP345PR
4	Loaded Chamber Indicator Spring	MR05906	KP345 & KP345PR
5	Loaded Chamber Indicator	V11001	KP345 & KP345PR
6	Magazine Disconnect	KV05000	KP345 & KP345PR
7	Magazine Disconnect Spring	KV06475	KP345 & KP345PR
* 8	Firing Pin Block	KQ05000	KP345 & KP345PR
* 9	Firing Pin Block Spring	KQ05600	KP345 & KP345PR
* 10	Firing Pin Block Plunger	KH05100	KP345 & KP345PR
11	Rear Sight Assembly	V03311-100	KP345 & KP345PR
12	Rear Sight Lock Screw	V08001	KP345 & KP345PR
* 13	Extractor	KV01453	KP345 & KP345PR
14	Extractor Spring	V06450	KP345 & KP345PR
15	Safety Lever Spring	V06481	KP345 & KP345PR
16	Safety Lever Retainer	KV04201	KP345 & KP345PR
17	Safety Strut	KV01650	KP345 & KP345PR
18	Safety, Right	KV01559	KP345 & KP345PR
19	Safety Assembly, Left	KV01524-100	KP345 & KP345PR
20	Safety Detent Plunger Spring	KV04100	KP345 & KP345PR
21	Safety Detent Plunger	KV04600	KP345 & KP345PR

Key No.	Part Name	Part No.	Model
22	Lock Pin	KV06750	KP345 & KP345PR
23	Lock Plunger Detent Spring	KV06476	KP345 & KP345PR
24	Lock Detent Plunger	KV04612	KP345 & KP345PR
25	Firing Pin Spring	KV01850	KP345 & KP345PR
26	Firing Pin	KV01128	KP345 & KP345PR
	<b>Camblock/Recoil Spring Assembly</b>	<b>KV07011-100</b>	<b>KP345 &amp; KP345PR</b>
	<b>Includes Key Nos. 27 - 30</b>		
27	Recoil Spring	V02824	KP345 & KP345PR
28	Buffer Spring	V02851	KP345 & KP345PR
29	Camblock	KV07011	KP345 & KP345PR
30	Slide Stop Detent	V05302	KP345 & KP345PR
* 31	Barrel	KV00629	KP345 & KP345PR
32	Trigger Bar Spring	V05402	KP345 & KP345PR
* 33	Trigger Bar	KV01716	KP345 & KP345PR
34	Trigger	KV03913	KP345 & KP345PR
35	Trigger Plunger Spring	KV04100	KP345 & KP345PR
36	Trigger Plunger	KV04612	KP345 & KP345PR
* 37	Hammer Assembly	KV04024-100	KP345 & KP345PR
38	Hammer Pivot Pin	V02303	KP345 & KP345PR
39	Magazine Latch	V02615	KP345 & KP345PR
40	Trigger Pivot Pin	V06711	KP345 & KP345PR
* 41	Blocker Lever	KV02114	KP345 & KP345PR
42	Sear Spring	KV06421	KP345 & KP345PR
* 43	Sear	KV02221	KP345 & KP345PR
44	Ejector Spring	KV00902	KP345 & KP345PR
45	Ejector Pivot Assembly	KV26600	KP345 & KP345PR
46	Ejector	V00912	KP345 & KP345PR

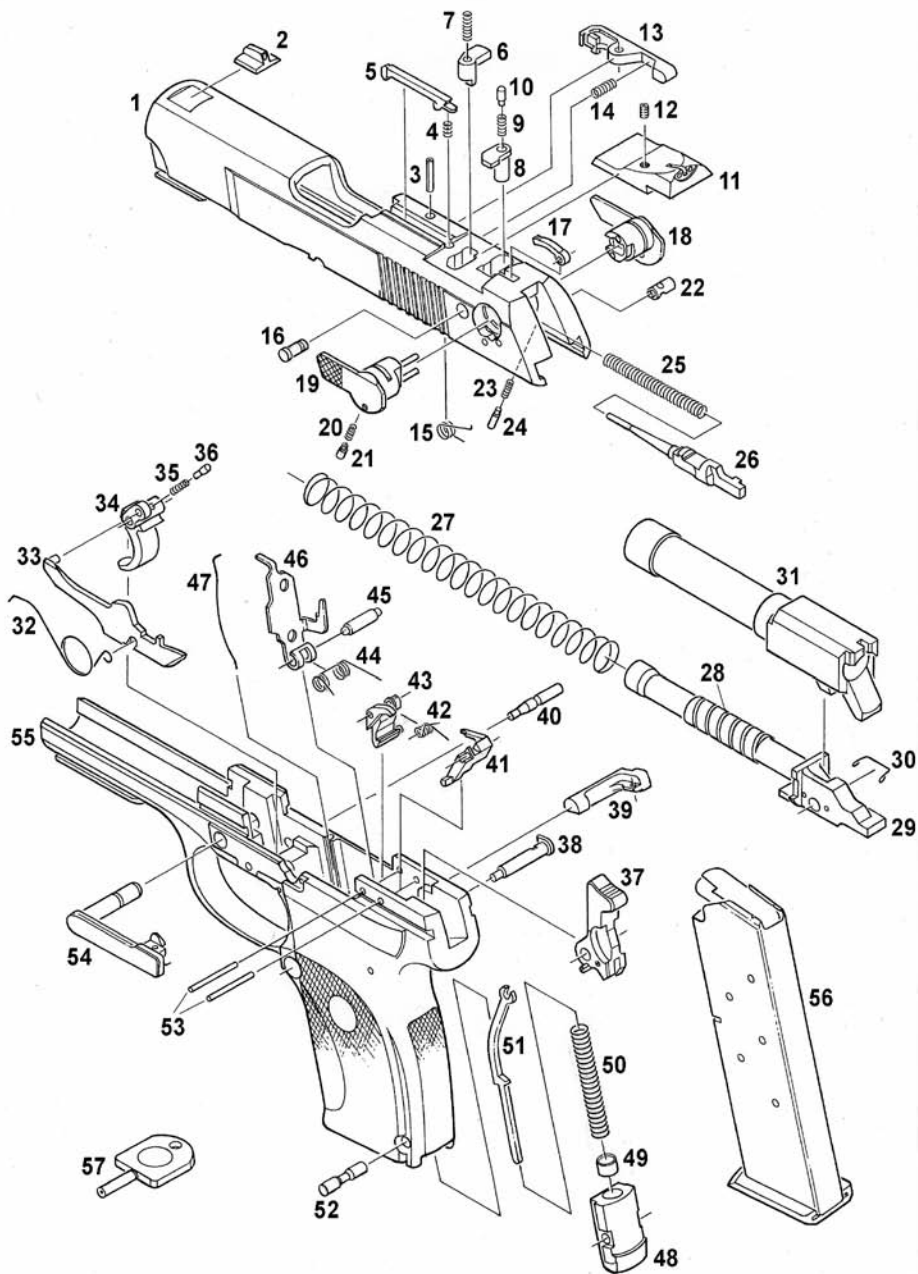


Key No.	Part Name	Part No.	Model
47	Magazine Latch Spring	V02701	KP345 & KP345PR
48	Hammer Spring Seat	V02410	KP345 & KP345PR
49	Hammer Spring Detent	KV05303	KP345 & KP345PR
50	Hammer Spring	V00400	KP345 & KP345PR
51	Hammer Strut	V01601	KP345 & KP345PR
52	Hammer Spring Seat Pin	V02510	KP345 & KP345PR
53	Sear Pivot Pin, 2 Req'd	KV04450	KP345 & KP345PR
54	Slide Stop Assembly	KV03717-100	KP345 & KP345PR
55	Frame, with Accessory Rail	V00226	KP345PR (Frame Not Offered For Sale)
56	Frame, without Accessory Rail, Not Illustrated	V00225	KP345 (Frame Not Offered For Sale)
57	Magazine, Complete, 8-shot Internal Lock Key	P-163 V15009	KP345 & KP345PR KP345 & KP345PR
	<b>Also Available, but Not Illustrated</b>		
	Magazine Loader	PML	KP345 & KP345PR
	Case Only	PGC-CF	KP345 & KP345PR

\* PARTS SO MARKED MUST BE FACTORY FITTED

# RUGER® P345®

## EXPLODED VIEW



## THE BASIC RULES OF SAFE FIREARMS HANDLING

We believe that Americans have a right to purchase and use firearms for lawful purposes. The private ownership of firearms in America is traditional, but that ownership imposes the responsibility on the gun owner to use his firearms in a way which will ensure his own safety and that of others. When firearms are used in a safe and responsible manner, they are a great source of pleasure and satisfaction, and represent a fundamental part of our personal liberty.

Firearms do not cause accidents! Firearms accidents are almost always found to have been the result of carelessness or ignorance on the part of the shooter of the basic rules of safe gun handling.

The following rules must be observed by gun users at all times. Safe gun handling is not just desirable, it is absolutely essential to your safety, the safety of others, and the continuation of gun ownership and sport shooting as we know it today.

### 1. LEARN THE MECHANICAL AND HANDLING CHARACTERISTICS OF THE FIREARM YOU ARE USING.



Not all firearms are the same. The method of carrying and handling firearms varies in accordance with the mechanical provisions for avoiding accidental discharge and the various proper procedures for loading and unloading. No person should handle any firearm without first having thoroughly familiarized himself with the particular type of firearms he is using, and with safe gun handling in general.

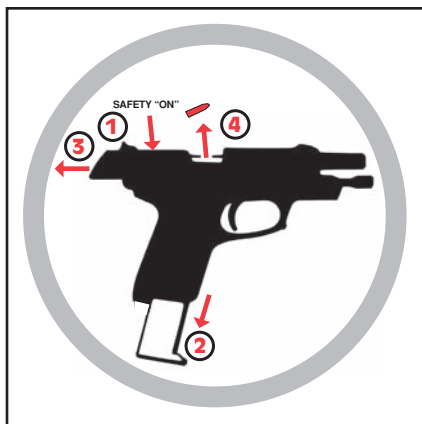
### 2. ALWAYS KEEP THE MUZZLE POINTED IN A SAFE DIRECTION.



Be sure of the bullet stop behind your target, even when dry-firing. Never let the muzzle of a firearm point at any part of your body or at another person. This is particularly important when loading or unloading a firearm. In the event of an accidental discharge, no injury can occur as long as the muzzle is pointing in safe direction. A safe direction means a direction that will not permit a discharged bullet to strike a person, or to strike an object from which the bullet may ricochet.

A safe direction must take into account the fact that a bullet may penetrate a wall, ceiling, floor, window, etc., and strike a person or damage property. Make it a habit to know exactly where the muzzle of your gun is pointing whenever you handle it, and be sure that you are always in control of the direction in which the muzzle is pointing, even if you fall or stumble. Keep your finger off the trigger until you are ready to shoot.

### 3. FIREARMS SHOULD BE UNLOADED WHEN NOT IN USE.



Firearms should be loaded only when you are in the field or on the target range or shooting area, ready to shoot. Firearms and ammunition should be securely locked in safes, racks or cabinets, or by using the locking device supplied with the firearm when not in use. Ammunition should be safely stored separate from firearms. Store your firearms out of sight of visitors and children. It is the gun owner's responsibility to be certain that children and persons unfamiliar with firearms cannot gain access to firearms, ammunition, or components.

### 4. BE SURE THE BARREL IS CLEAR OF OBSTRUCTIONS BEFORE SHOOTING.

Even a bit of mud, snow or excess lubricating oil or grease in the bore may cause the barrel to bulge, or even burst on firing, and can cause injury to the shooter and bystanders. Be sure that you are using ammunition of the proper caliber and loading for the gun you are using. If the report or recoil on firing seems weak, or doesn't seem quite right, **CEASE FIRING IMMEDIATELY**, unload your firearm, and check to be sure that no obstruction has become lodged in the barrel. Never try to shoot an obstruction out!





## 5. BE SURE OF YOUR TARGET BEFORE YOU SHOOT.

Don't shoot unless you know exactly where your bullet is going to strike. Be sure of the bullet stop behind your target, even when dry-firing with an unloaded gun. If you are in the field hunting, do not fire at a movement or noise. Take the time to be absolutely certain of your target before you pull the trigger.

## 6. WEAR SHOOTING GLASSES AND HEARING PROTECTORS WHEN YOU SHOOT.

All shooters should wear protective shooting glasses and adequate hearing protection when shooting. Exposure to shooting noise can damage hearing, and adequate eye protection when shooting is essential.



## 7. NEVER CLIMB A TREE OR FENCE WITH A LOADED FIREARM.

Put the firearm down carefully before climbing a fence, and unload it before climbing or descending a tree or jumping over a ditch or other obstruction. Never pull or push a loaded firearm toward yourself or another person. When in doubt, or whenever you are about to do anything awkward, unload your gun!

### 8. DON'T SHOOT AT A HARD SURFACE OR AT WATER.

Bullets can glance off many surfaces like rocks or the surface of water and travel in unpredictable directions with considerable velocity.



### 9. NEVER TRANSPORT A LOADED FIREARM.

Firearms should always be unloaded before being moved or placed in a vehicle. A suitable carrying case or scabbard should be used to carry an unloaded firearm to and from the shooting area.

### 10. AVOID ALCOHOLIC BEVERAGES WHEN SHOOTING.

Don't drink until the day's shooting is over. Handling firearms while under the influence of alcohol in any form, or medications that could affect your judgement or coordination, constitutes a criminal disregard for the safety of others.



## A BRIEF ACCOUNT OF AN EXTRAORDINARY ACHIEVEMENT: RUGER FIREARMS

Sturm, Ruger & Company, Inc., had its beginning in a small machine shop occupying a rented frame building in Southport, Connecticut. In January, 1949, with an initial investment of only \$50,000 and an idea, William B. Ruger and Alexander M. Sturm started production of a .22 caliber autoloading pistol—a design which was so successful that it became the cornerstone upon which one of the most comprehensive lines of sporting firearms ever made in America was established. After Alex Sturm's death in 1951, William B. Ruger continued to direct the Company until his death in 2002. William B. Ruger, Jr. continued to provide guidance, which helped make this Company a sound and successful enterprise, until his retirement in 2006. The Company has continued to prosper, under new management and guidance from our Board, with new products and fresh perspectives.

Ruger, in this relatively short time, has established itself as a leading small arms design organization, developing a unique and broad line of fine quality sporting, military and police firearms to become one of the world's most famous producers of revolvers, pistols, rifles and shotguns. Since 1949, Ruger craftsmen have built many millions of firearms.

During its five decades of growth and progress under the leadership of William B. Ruger, the Company developed a business philosophy and implemented policies which represent a constructive influence in the life of modern America. From the beginning, Ruger played a positive role in conservation efforts and has supported the interests of shooters through such groups as the National Rifle Association, National Shooting Sports Foundation, and many regional sportsmen's organizations.

The Company has always endeavored to market its firearms for constructive and recreational purposes, to emphasize the traditional and responsible aspects of shooting, to render meaningful public services, and to encourage shooters in constructive, responsible, and safe participation in the shooting sports. Its motto, "Arms Makers For Responsible Citizens," exemplifies this Company philosophy.

Today, Ruger is particularly mindful of those elements which have contributed to the creation of its success, and extends heartfelt thanks to its many loyal employees and customers.

The firearms catalog, and instruction manuals for all Ruger firearms, can be downloaded from our website at:

**[www.ruger.com](http://www.ruger.com)**.

## WHY NO WARRANTY CARD HAS BEEN PACKED WITH THIS NEW RUGER FIREARM

The Magnuson-Moss Act (Public Law 93-637) does not require any seller or manufacturer of a consumer product to give a written warranty. It does provide that if a written warranty is given, it must be designated as "limited" or as "full" and sets minimum standards for a "full" warranty. Sturm, Ruger & Company, Inc. has elected not to provide any written warranty, either "limited" or "full", rather than to attempt to comply with the provisions of the Magnuson-Moss Act and the regulations issued thereunder. There are certain implied warranties under state law with respect to sales of consumer goods. As the extent and interpretation of these implied warranties varies from state to state, you should refer to your state statutes. Sturm, Ruger & Company wishes to assure its customers of its continued interest in providing service to owners of Ruger firearms.



**STURM, RUGER & Company, Inc.**  
**200 Ruger Road**  
**Prescott, Arizona 86301 U.S.A.**  
**www.ruger.com**

**Arms Makers For Responsible Citizens®**

**A COPY OF THE INSTRUCTION MANUAL FOR ANY RUGER  
FIREARM IS AVAILABLE FROM THE FACTORY FREE ON REQUEST, OR IT MAY  
BE DOWNLOADED FROM OUR WEBSITE AT WWW.RUGER.COM.  
THESE INSTRUCTION MANUALS CONTAIN IMPORTANT  
WARNINGS WHICH MUST BE UNDERSTOOD  
BEFORE USING THESE FIREARMS.**

The Following are Sturm, Ruger & Co., Inc. Trademarks: "10/22-FS," "22/45," "22/45 RP," "22 Charger," "77/357," "Bisley," "Gold Label," "LC6," "LC9," "LCR-357," "Mark II," "Mark III," "Model 96," "P85," "P90," "P91," "P93," "P94," "P95," "P97," "P345D," "P345PR," "Ruger 10/17," "Ruger 77/50," "Security-Six," "Service-Six," "Speed-Six," "SR1911," "SR40c," "SR9c," "SR-556C," "SR-556E," "SR22," "Ruger American Rifle," "Ruger Inside & Out," "Power Bedding," and "Ruger Marksman Adjustable Trigger."

The Following are Registered U.S. Trademarks Belonging to Sturm, Ruger & Co., Inc.: "**RUGER**," "THE STURM, RUGER LOGO," "AC-556," "Arms Makers For Responsible Citizens," "10/22," "All-Weather," "Bearcat," "Blackhawk," "BX-25," Eagle R, Eagle SR, "GP100," the Hard-R Logo, "Hawkeye," "LCP," "LCR," "M77," "Mini Thirty," "Mini-14," "Old Army," "P345," "Redhawk," "Ruger Titanium," "Ruger 77/17," "Ruger 77/22," "Ruger 77/44," "Ruger SP101," "Ruger Vaquero," "Single-Six," "Single-Ten," "SR9," "SR40," the "SR" Design, "SR-22," "SR-556," "Super Redhawk Alaskan" and "Target Grey."

"DEERFIELD" is a registered trademark of Blount, Inc.