



# **Savage<sup>®</sup> Arms**

*The Definition of Accuracy*

Safe ownership is your responsibility. Please thoroughly read and understand this manual before loading your firearm.

Keep firearms and ammunition away from children. Lock unloaded firearms and ammunition securely in separate locations.

This manual should always accompany your firearm and be transferred with it upon change of ownership. This is your responsibility and may protect you from future liability.

100 Springdale Road  
Westfield, MA 01085

## **INSTRUCTION MANUAL**

### **BOLT ACTION CENTERFIRE ACCUTRIGGER™ MODEL RIFLES**

**IMPORTANT! DO NOT ATTEMPT TO LOAD AND SHOOT YOUR RIFLE UNTIL YOU HAVE THOROUGHLY READ THIS INSTRUCTION MANUAL AND ARE FULLY FAMILIAR WITH ITS CONTENTS**

For more information, please visit our web site at [www.savagearms.com](http://www.savagearms.com)

Congratulations on owning a Savage Arms sporting firearm. You are now part of the Savage Sports Corporation family of quality firearms, which includes Savage Arms, Inc., Savage Arms (Canada), Stevens, and Fox. With reasonable care, your firearm should deliver years of reliable service and perform to our “definition of accuracy”.

## **THIS MANUAL IS EXTREMELY IMPORTANT.**

The safety warnings and instructions in this manual are very important. By understanding the dangers involved in the use of any firearm and by taking the necessary precautions, you can use your Savage firearm in complete safety. However, failure to read, understand, and obey any of the warnings may result in serious injury or death to you or others, as well as severe damage to the firearm or other property.

This manual should always accompany your firearm and be transferred with it upon change of ownership. This is your responsibility and may protect you from future liability.

For your convenience, this INSTRUCTION MANUAL has been divided into 8 sections:

**SECTION 1:** Safety First – It’s Your Responsibility!

**SECTION 2:** Basic Functions

**SECTION 3:** Parts List and Diagram - AccuTrigger™ - Top Load And Detachable Box Magazine

**SECTION 4:** Parts List and Diagram - AccuTrigger™ - Hinged Floor Plate

**SECTION 5:** Parts List and Diagram – Standard Trigger - Top Load And Detachable Box Magazine

**SECTION 6:** Ammunition Bullet Weights / Magazine Capacities

**SECTION 7:** Rings And Bases For Mounting A Scope

**SECTION 8:** Statement Of Limited Warranty

Although considerable time and effort were put into assuring the accuracy of the information contained herein, human errors do occur. If an error is found, please let us know. As a ‘customer driven’ company, we appreciate and encourage feedback.

The following patents apply to the firearms contained in this manual: AccuTrigger™ - patent number US 6,553,706B1 and Muzzle Brake – patent number 5425298.

## **SECTION 1**

### **SAFETY FIRST – IT’S YOUR RESPONSIBILITY!**

Above all – remember that a firearm is a mechanical device. It can not think, it can not act on its own – it only does what YOU MAKE IT DO. A mechanical device has no way to know if your actions are safe or if they will result in injury or death – THAT’S YOUR PART! It only takes one careless second to result in a tragedy that you will have to live with the rest of your life. MAKE NO DOUBT ABOUT IT, owning and/or using a firearm puts YOU in full control of its actions and THEIR CONSEQUENCES!

## **10 COMMANDMENTS OF SHOOTING SAFETY**

*FOR MORE INFORMATION, PLEASE VISIT OUR WEB SITE AT: [WWW.SAVAGEARMS.COM](http://WWW.SAVAGEARMS.COM)*

(The following excerpts are from SAAMI bulletin #081 1MM 7/97 BP: The entire booklet can be obtained by calling: NATIONAL SHOOTING SPORTS FOUNDATION, 11 MILE HILL ROAD, NEWINGTON, CT 06470; 203-426-4358)

### **FIREARMS SAFETY DEPENDS ON YOU!**

**FROM THE TIME YOU PICK UP A FIREARM, YOU BECOME PART OF A SYSTEM OVER WHICH YOU HAVE COMPLETE CONTROL. YOU ARE THE ONLY PART OF THE SYSTEM THAT CAN MAKE A GUN SAFE – OR UNSAFE.**

You can help meet this responsibility by enrolling in hunter safety or shooter safety courses, if you

have not already done so. You must constantly stress safety when handling firearms, especially to children and non-shooters. Develop safe shooting habits and remember, firearms safety is up to you. Make no mistake about it.

## **ALCOHOL, DRUGS AND GUNS DON'T MIX**

### **1. ALWAYS KEEP THE MUZZLE POINTED IN A SAFE DIRECTION**

This is the most basic safety rule. If everyone handled a firearm so carefully that the muzzle never pointed at something they didn't intend to shoot, there would be virtually no firearm accidents. It's as simple as that, and it's up to you.

Never point your gun at anything you do not intend to shoot. A safe direction means a direction in which a bullet cannot possibly strike anyone, taking into account possible ricochets and the fact that bullets can penetrate walls and ceilings. Even when "dry firing" with an unloaded gun, you should never point the gun at an unintended target.

This is your responsibility, and only you can control it.

### **2. FIREARMS SHOULD BE UNLOADED WHEN NOT ACTUALLY IN USE**

Firearms should be loaded only when you are in the field or on the target range or shooting area, ready to shoot. When not in use, firearms and ammunition should be secured in a safe place, separate from each other. It is your responsibility to prevent children and inexperienced adults from gaining access to firearms or ammunition. A loaded gun has no place in or near a vehicle or building.

Whenever you handle a firearm or hand it to someone, always open the action immediately, and visually check the chamber, receiver and magazine to be certain they do not contain any ammunition. Never assume a gun is unloaded – check for yourself! While in the field, there will be times when common sense and the basic rules of firearms safety will require you to unload your gun for maximum safety. When in doubt, unload your gun!

### **3. DON'T RELY ON YOUR GUN'S "SAFETY"**

Treat every gun as though it can fire at any time, regardless of pressure on the trigger. The "safety" on any gun is a mechanical device, which, like any such device, can become inoperable at the worst possible time. The safety serves as a supplement to proper gun handling but cannot possibly serve as a substitute for common sense.

Never touch the trigger on a firearm until you actually intend to shoot.

Your firearm is a precision instrument. Regardless of the position of the safety, any bump strong enough to actuate the firing mechanism of a gun can cause it to fire. The only time you can be absolutely certain that a gun cannot fire is when the action is open and it is completely empty. You and the safe gun handling procedures you have learned are your gun's primary safeties.

### **4. BE SURE OF YOUR TARGET AND WHAT'S BEYOND IT**

No one can call a bullet back. Don't shoot unless you know exactly what your bullet is going to strike. Be sure that your bullet will not injure anyone or anything beyond your target. You should keep in mind how far a bullet will travel if it misses your intended target or ricochets in another direction.

Be aware that even a .22 short bullet can travel over 1¼ miles and a high velocity cartridge, such as a 30-06, can project a bullet more than 3 miles. Shotgun pellets can travel 500 yards, and shotgun slugs have a range of over a half-mile.

### **5. USE CORRECT AMMUNITION**

You must assume the serious responsibility of using only the correct ammunition for your firearm. Read and heed all warnings, including those that appear in the gun's instruction manual and on the ammunition boxes. Using improper or incorrect ammunition can destroy a gun and cause serious

personal injury. It only takes one cartridge of improper caliber or gauge to wreck your gun, and only a second to check each one as you load it. Be absolutely certain that the ammunition you are using matches the specifications that are contained within the gun's instruction manual and the manufacturer's markings on the firearm barrel.

Hand loaded or reloaded ammunition deviating from pressures generated by factory loads or from competent recommendations specified in reputable hand loading manuals can be dangerous, and can cause severe damage to guns and serious injury to the shooter.

Ammunition that has become very wet or has been submerged in water should be discarded in a safe manner. Do not spray oil or solvents on ammunition or place ammunition in excessively lubricated firearms.

Form the habit of examining every cartridge you put in your gun. Never use damaged, old or questionable ammunition – the money you save is not worth the risk of possible injury or a ruined gun.

***DISCHARGING FIREARMS IN POORLY VENTILATED AREAS, CLEANING FIREARMS OR HANDLING AMMUNITION MAY RESULT IN EXPOSURE TO LEAD AND OTHER SUBSTANCES KNOWN TO CAUSE BIRTH DEFECTS, REPRODUCTIVE HARM AND OTHER SERIOUS PHYSICAL INJURY. HAVE ADEQUATE VENTILATION AT ALL TIMES. WASH HANDS THOROUGHLY AFTER EXPOSURE.***

#### **6. IF YOUR GUN FAILS TO FIRE WHEN THE TRIGGER IS PULLED, HANDLE WITH CARE!**

Occasionally, a loaded gun may not fire when the trigger is pulled. If this occurs, keep the muzzle pointed in a safe direction. Keep your face away from the breech. Then, carefully open the action, unload the firearm and dispose of the cartridge in a safe way.

Any time there is a cartridge in the chamber, your gun is loaded and ready to fire - even if you've tried to shoot and it did not go off. It could go off at any time, so you must always remember *RULE #1* and *WATCH THAT MUZZLE!*

#### **7. ALWAYS WEAR EYE AND EAR PROTECTION WHEN SHOOTING**

All shooters should wear protective shooting glasses and some form of hearing protectors while shooting. Exposure to shooting noise can damage hearing, and adequate vision protection is essential. Wearing eye protection when disassembling and cleaning any gun will also help prevent the possibility of springs, spring tensioned parts, solvents or other agents from contacting your eyes. No target shooter, plinker or hunter should ever be without them.

#### **8. BE SURE THE BARREL IS CLEAR OF OBSTRUCTIONS BEFORE SHOOTING**

Before you load your firearm, open the action and be certain that there is no cartridge in the chamber. Then glance through the barrel to be sure it is clear of any obstruction. Even a small bit of mud, snow, excess lubricating oil or grease in the bore can cause dangerously increased pressure, causing the barrel to bulge or even burst when firing, which can cause injury to the shooter and bystanders. Make it a habit to clean the bore with a cleaning rod and patch to wipe away anti-rust compounds in the gun each time immediately before you shoot it. If the noise or recoil on firing seems weak or doesn't seem quite "right", cease firing immediately and be sure to check that no obstruction or projectile has become lodged in the barrel.

#### **9. DON'T ALTER OR MODIFY YOUR GUN, AND HAVE GUNS SERVICED REGULARLY**

Firearms are complicated mechanisms, which are designed by experts to function properly in their original condition. Any alteration or change (other than adjusting the AccuTrigger™) made to a firearm after manufacture can make the gun dangerous and will usually void any factory warranties. Do not jeopardize your safety or the safety of others by altering the trigger, safety or other mechanism of any firearm or allowing unqualified person's to repair or modify a gun.



Your gun is a mechanical device, which will not last forever and is subject to wear. As such, it requires periodic inspection, adjustment and service.

## **10. LEARN THE MECHANISM AND HANDLING CHARACTERISTICS OF THE FIREARM YOU ARE USING**

Not all firearms are the same. Consequently, never handle any firearm without first having thoroughly familiarized yourself with the particular type of firearm you are using, the safe gun handling rules for loading, unloading, carrying and handling that firearm, and the rules of safe gun handling in general. Locate the firearm's mechanical safety device and get familiar with the feel and "on/off" positions.

You should always read and refer to the instruction manual you received with your gun, or if you have misplaced the manual, simply contact the manufacturer for a free copy.

Having a gun in your possession is a full-time job. You cannot guess; you cannot forget. You must know how to use, handle, and store your firearm safely. Do not use any firearm without having a complete understanding of its particular characteristics and safe use. There is no such thing as a foolproof gun.

## **SECTION 2**

### **BASIC FUNCTIONS**

*FOR MORE INFORMATION, PLEASE VISIT OUR WEB SITE AT: [WWW.SAVAGEARMS.COM](http://WWW.SAVAGEARMS.COM)*

***PRIOR TO LOADING OR OPERATING, FAMILIARIZE YOURSELF THOROUGHLY WITH THESE OPERATING INSTRUCTIONS AND THE MAIN PARTS OF YOUR FIREARM.***

***YOUR GUN IS A MECHANICAL DEVICE WHICH WILL NOT LAST FOREVER AND IS SUBJECT TO WEAR. WHEN SOMETHING DOES NOT SOUND, FEEL, OR LOOK RIGHT, SEEK THE ADVICE OF A PROFESSIONAL GUNSMITH IMMEDIATELY. NEVER TAKE A CHANCE.***

***FAILURE TO OBEY A SAFETY WARNING MAY RESULT IN INJURY TO YOU OR OTHERS.***

***KNOW HOW TO LOCATE AND OPERATE THE SAFETY MECHANISM.***

***THE USE OF RELOADS, HANDLOADS, MILITARY SURPLUS, OR ANY OTHER COMMERCIAL/ NONCOMMERCIAL AMMUNITION NOT MANUFACTURED TO SAAMI (SPORTING ARMS AND AMMUNITION MANUFACTURERS' INSTITUTE, INC.)/ ANSI (AMERICAN NATIONAL STANDARDS INSTITUTE) SPECIFICATIONS WILL VOID THE WARRANTY.***

***ALWAYS BE SURE THE FIREARM (ESPECIALLY THE END OF THE BARREL) IS FREE AND CLEAR OF ANY OBSTRUCTIONS THAT MAY RESTRICT (OR SLOW DOWN) THE BULLET FROM LEAVING THE MUZZLE AT ITS NORMAL RATE OF SPEED. THIS INCLUDES SNOW, WATER, BRUSH, SHRUBS, STICKS, LEAVES AND DEBRIS TO NAME A FEW. NEVER PLACE THE END OF A BARREL OR SUBMERGE A FIREARM UNDER WATER, AS THAT WILL CAUSE A SEVERE OBSTRUCTION. RESTRICTING, SLOWING, OR STOPPING THE BULLET FROM LEAVING THE MUZZLE WILL CREATE AN EXCESSIVE AMOUNT OF PRESSURE TO BUILD UP BEHIND IT AND MAY LEAD TO EXTENSIVE DAMAGE TO THE FIREARM AND PERSONAL INJURY TO THE SHOOTER AND/OR BYSTANDERS. SAFE OPERATION IS YOUR RESPONSIBILITY AND CAN ONLY BE CONTROLLED BY YOU!***

***KNOW EXACTLY WHERE YOU ARE POINTING THE BARREL OF A FIREARM AND WHY!***

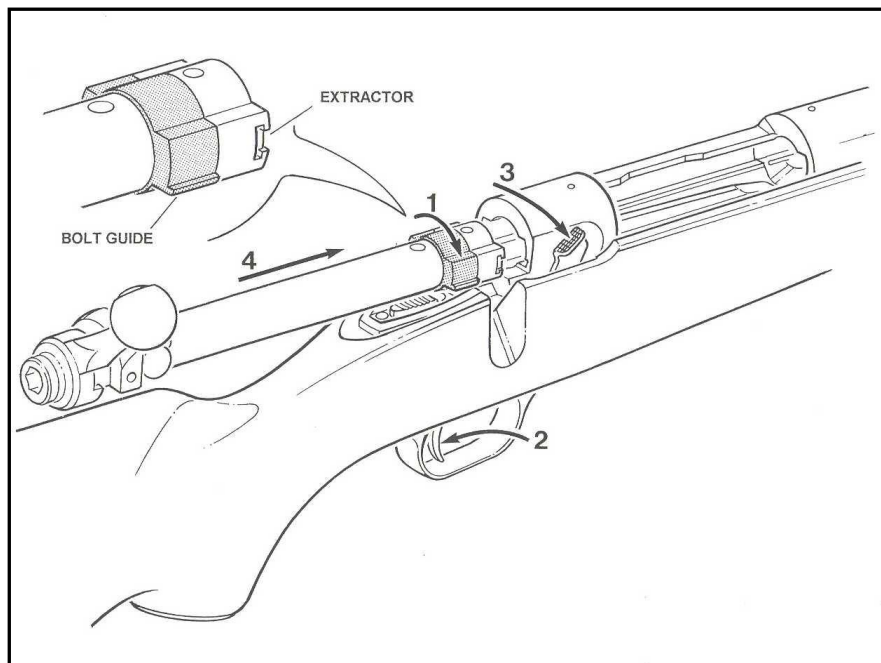
**BOLT INSTALLATION** (SEE FIGURE 1)

RIGHT HAND ACTION ILLUSTRATED (LEFT HAND IS THE MIRROR IMAGE)

**BOLT ASSEMBLIES ARE SPECIFICALLY MATCHED TO A FIREARM. USING ANY OTHER BOLT ASSEMBLY MAY CAUSE EXTENSIVE DAMAGE TO THE FIREARM AND/OR SERIOUS INJURY TO THE SHOOTER OR BYSTANDER.**

**CERTAIN FIREARMS ARE SHIPPED WITH THE BOLT REMOVED AND PACKED IN A SEPARATE COMPARTMENT WITHIN THE BOX. BEFORE INSTALLING THE BOLT, VERIFY THAT THE 4 DIGITS ENGRAVED BY THE EXTRACTOR MATCH THE LAST 4 DIGITS OF THE SERIAL NUMBER.**

1. Rotate the FRONT BAFFLE (1) to line-up the BOLT GUIDE with the EXTRACTOR.
2. Pull the TRIGGER (2) fully rearward and hold it in that position.
3. Press down on the COCKING INDICATOR (3).
4. **WITH NO AMMUNITION IN THE FIREARM**, insert the BOLT (4) into the firearm, pushing it forward.
5. Close the BOLT HANDLE (pushing downward) and verify that the “THREE POSITION SAFETY” is operational as explained in this section.



**FIGURE 1**

## **SAFETY**

The safety on your Savage Arms bolt action firearm has 3 positions:

- **FULL SAFE** - Pull safety button towards shooter (trigger blocked – bolt can not be opened).
- **MID POSITION** (trigger blocked – bolt can be opened).
- **SAFETY OFF - READY TO FIRE.** Push safety button away from shooter.

## **FULL SAFE**

1. The safety is in the *FULL SAFE* position when it has been moved fully rearward, covering the red “F” (See *FIGURE 2*).
2. The safety should be moved into the *FULL SAFE* position when the bolt has been closed and the firearm is ready to fire.
3. In the *FULL SAFE* position, the trigger is blocked from moving and the bolt on rifles can not be opened.



**FIGURE 2 (AccuTrigger™ Model shown)**

**WHEN CARRYING A LOADED FIREARM, THE SAFETY MUST ALWAYS BE IN THE FULL SAFE POSITION.**

**THE ONLY TIME YOU CAN BE ABSOLUTELY CERTAIN THAT A GUN CANNOT FIRE IS WHEN THE ACTION IS OPEN AND IT IS COMPLETELY EMPTY OF AMMUNITION.**

#### **MID POSITION**

1. *MID POSITION* allows the bolt to be opened and cycled while still blocking the trigger.
2. The safety will move to the *MID POSITION* when the following sequence is performed:
  - lift the bolt handle
  - move the safety to the *FULL SAFE* position
  - push the bolt handle downward

**WHEN IN DOUBT – NEVER ASSUME! WITH THE BOLT HANDLE FULLY UPWARD – THE BOLT PULLED TO THE REAR - THE MUZZLE POINTED IN A SAFE DIRECTION - THE SAFETY IN THE MID SAFE POSITION, THE TRIGGER SHOULD NOT HAVE ANY REARWARD MOVEMENT.**

#### **SAFETY OFF – READY TO FIRE**

1. The safety is in the *OFF* position when moved fully forward, exposing the red “F”.

**NEVER TRANSPORT/CARRY A LOADED FIREARM WITH THE SAFETY OFF.**

#### **LOADING**

**FIREARMS SHOULD BE LOADED ONLY WHEN YOU ARE IN THE FIELD, ON THE TARGET RANGE, OR AT A SHOOTING AREA READY TO SHOOT.**

**ALWAYS KEEP THE MUZZLE POINTED IN A SAFE DIRECTION.**

**USE ONLY THE CORRECT AMMUNITION THAT IS INDICATED (STAMPED) ON THE SIDE OF THE BARREL.**

**THOROUGHLY CLEAN THE INSIDE OF THE BARREL AND CHAMBER TO ASSURE THERE ARE NO POSSIBLE OBSTRUCTIONS PRIOR TO LOADING.**

**THE USE OF RELOADS, HANDLOADS, MILITARY SURPLUS, OR ANY OTHER COMMERCIAL/ NONCOMMERCIAL AMMUNITION NOT MANUFACTURED TO SAAMI (SPORTING ARMS AND AMMUNITION MANUFACTURERS' INSTITUTE, INC.)/ANSI (AMERICAN NATIONAL STANDARDS INSTITUTE) SPECIFICATIONS WILL VOID THE WARRANTY.**

**KNOW YOUR GUN! IF ANYTHING 'FEELS' OR SOUNDS DIFFERENT WHEN LOADING OR SHOOTING - STOP - AND HAVE A QUALIFIED GUNSMITH TAKE A LOOK! NEVER TAKE A CHANCE WITH SOMETHING THAT YOU ARE UNSURE OF ... ALWAYS ASK A PROFESSIONAL.**

### **DETACHABLE BOX MAGAZINE (CLIP)**



**FIGURE 3**

1. With the muzzle pointed in a safe direction, move the safety forward to the SAFETY OFF – READY TO FIRE position.
2. Lift the bolt handle but do not pull to the rear.
3. Move the safety fully rearward to the FULL SAFE position.
4. Pull bolt handle rearward.
- The safety will move to the MID SAFE position automatically when the bolt is closed.
5. With one hand prepared to catch the detachable box magazine, push the magazine release button on the bottom of the stock rearward (see FIGURE 6).
6. As shown in FIGURE 3, load the correct caliber cartridges into the detachable box magazine by pressing downward, filling the magazine to capacity (see SECTION 6).
7. Insert the detachable box magazine back into the stock opening, pressing upward until the latch is fully engaged.
8. Moving the bolt handle forward will push the first cartridge from the detachable box magazine into the chamber.

**WHEN THE BOLT IS FULLY CLOSED, A LIVE CARTRIDGE WILL BE IN THE CHAMBER.**

**ALWAYS KEEP THE MUZZLE POINTED IN A SAFE DIRECTION.**

9. Move the safety fully rearward to the FULL SAFE position, locking the bolt handle.

### **TOP LOADING OR HINGED FLOOR PLATE (THROUGH THE EJECTION PORT)**





**FIGURE 4**

1. With the muzzle pointed in a safe direction, move the safety forward to the SAFETY OFF – READY TO FIRE position.
2. Lift the bolt handle but do not pull to the rear.
3. Move the safety fully rearward to the FULL SAFE position.
4. Pull bolt handle rearward.
  - The safety will move to the MID SAFE position automatically when the bolt is closed.
5. As shown in FIGURE 4, load the correct caliber cartridges into the magazine by pressing downward, filling the magazine to capacity (see SECTION 6).
6. Moving the bolt handle forward will push the first cartridge from the magazine into the chamber.

***WHEN THE BOLT IS FULLY CLOSED, A LIVE CARTRIDGE WILL BE IN THE CHAMBER.***

***ALWAYS KEEP THE MUZZLE POINTED IN A SAFE DIRECTION.***

7. Move the safety fully rearward to the FULL SAFE position, locking the bolt handle.

**TO LOAD A SINGLE CARTRIDGE INTO THE CHAMBER**

1. With the muzzle pointed in a safe direction, insert a cartridge into the chamber as shown in FIGURE 5.
2. Depressing the cartridges in the magazine with one hand, slowly push the bolt forward allowing it to slide over the top of the cartridges in the magazine.
3. Push the bolt handle down then immediately move the safety fully rearward to the FULL SAFE position.



FIGURE 5

## **TO FIRE**

***SAVAGE ARMS OFFERS CERTAIN MODEL FIREARMS WITH AN ACCUTRIGGER™ - A SPECIALLY DESIGNED USER ADJUSTABLE TRIGGER. AT THE LOWER SETTINGS, SUCH FIREARMS ARE CONSIDERED TARGET FIREARMS. IT IS THE SOLE RESPONSIBILITY OF THE SHOOTER TO EXERCISE EXTREME CARE WHILE ADJUSTING/HANDLING THESE FIREARMS. SAVAGE ARMS ACCEPTS NO RESPONSIBILITY/ LIABILITY FOR ANY DIRECT AND/OR CONSEQUENTIAL DAMAGE AND/OR INJURY RESULTING FROM THE MISUSE AND/OR MISHANDLING OF A FIREARM. AS WITH ANY PRECISION TUNED MECHANICAL DEVICE, PERIODIC INSPECTION/MAINTENANCE IS REQUIRED – AND YOUR RESPONSIBILITY!***

***WITH SAFETY AS OUR PRIMARY CONCERN, THE ACCUTRIGGER™ DESIGN REQUIRES THE SHOOTER TO PLACE THEIR FINGER SQUARELY OVER THE ACCURELEASE™. PULLING THE TRIGGER FROM THE SIDE OR NOT DIRECTLY REARWARD WILL CAUSE THE SEAR TO DISENGAGE AND BE BLOCKED BY THE ACCURELEASE™. ALTHOUGH A 'CLICK' MAY BE HEARD, THE SEAR IS BLOCKED, PREVENTING THE FIRING PIN FROM HITTING THE PRIMER. WHEN THIS HAPPENS, THE BOLT MUST BE RAISED AND LOWERED TO 'RECOCK' THE FIREARM.***

***DO NOT MOVE THE SAFETY FORWARD TO THE SAFETY OFF – READY TO FIRE POSITION UNTIL YOU ARE READY TO SHOOT.***

***THE ONLY TIME YOU CAN BE ABSOLUTELY CERTAIN THAT A GUN CANNOT FIRE IS WHEN THE ACTION IS OPEN AND IT IS COMPLETELY EMPTY OF AMMUNITION.***

***NEVER TOUCH THE TRIGGER ON A FIREARM UNTIL YOU ACTUALLY INTEND TO SHOOT.***

***NEVER POINT YOUR GUN AT ANYTHING YOU DO NOT INTEND TO SHOOT.***

***ALWAYS KEEP THE MUZZLE POINTED IN SAFE A DIRECTION.***

1. Keep your finger off the trigger and out of the trigger guard until you are ready to shoot.
2. Always look carefully around to be sure that no one will cross in front of you when you are ready to shoot.
3. Place the firearm to your shoulder and move the safety forward to the *SAFETY OFF – READY TO FIRE* position and take aim.
4. Place your finger in the trigger guard and when you are on target, squeeze the trigger slowly.

***NO ONE CAN CALL A BULLET BACK.***

5. Pull up and fully rearward on the bolt handle to open the bolt to extract the fired case.
6. Moving the bolt handle forward will push the next cartridge from the magazine into the chamber.
7. Move the safety fully rearward to the FULL SAFE position, locking the bolt handle.

**UNLOADING YOUR RIFLE**

**TOP LOADING OR DETACHABLE BOX MAGAZINE**

***KEEP YOUR FINGERS AWAY FROM THE TRIGGER.***

***KEEP THE MUZZLE POINTED IN A SAFE DIRECTION.***

1. If the firearm is designed with a DETACHABLE BOX MAGAZINE, push the magazine release button rearward (see FIGURE 6) to remove the magazine.



FIGURE 6

2. **With the muzzle pointed in a safe direction**, your finger completely away from the trigger and out of the trigger guard, move the safety forward to the *SAFETY OFF – READY TO FIRE* position.

***KEEP YOUR FINGERS AWAY FROM THE TRIGGER.***

3. Lift the bolt handle but do not pull to the rear.
4. Move the safety fully rearward to the FULL SAFE position, then push the bolt handle downward.

5. The safety will move to the MID SAFE position automatically, allowing the action to be cycled while the trigger is still being blocked.
6. Placing one hand over the ejection port, your finger completely away from the trigger and out of the trigger guard, slowly pull the bolt handle to the rear to extract the cartridge from the chamber.
7. Remove the cartridge with your fingers.
8. If the firearm is designed with a TOP LOADING magazine, push the bolt fully forward until it engages the next cartridge behind the extractor (the bolt handle need not be pushed down).
9. Slowly pull the bolt handle to the rear to extract the next cartridge.
10. Repeat steps 6 through 7 until the magazine is empty.

**LOOK AND FEEL! BE SURE THE CHAMBER AND MAGAZINE ARE COMPLETELY EMPTY -- DO NOT ASSUME!**

**A LOADED GUN HAS NO PLACE IN OR NEAR A CAR, TRUCK OR BUILDING.**

### **HINGED FLOOR PLATE**

1. Supporting the firearm with one hand, position your other hand under the hinged floor plate.
2. Push the release button as shown in FIGURE 7 to unlatch the Hinged Floor Plate.



**FIGURE 7**

3. Slowly allow the Hinged Floor Plate to rotate downward, releasing the cartridges into your awaiting hand (see FIGURE 8).



**FIGURE 8**

4. Place the cartridges in a secure area and close the Hinged Floor Plate by rotating upward until it latches securely into the frame.

**LOOK AND FEEL! BE SURE THE CHAMBER AND MAGAZINE ARE COMPLETELY EMPTY -- DO NOT ASSUME!**

### **ACCUTRIGGER™ Pull Adjustment**

**SAFE OWNERSHIP IS YOUR RESPONSIBILITY. PRIOR TO ADJUSTING THE ACCUTRIGGER™ PLEASE THOROUGHLY READ AND UNDERSTAND THE INSTRUCTION MANUAL IN ITS ENTIRETY.**

**MAKE SURE THE FIREARM IS UNLOADED AND THE BOLT IS OPEN BEFORE REMOVING THE STOCK AND ADJUSTING THE ACCUTRIGGER™.**

### **REMOVING THE STOCK**

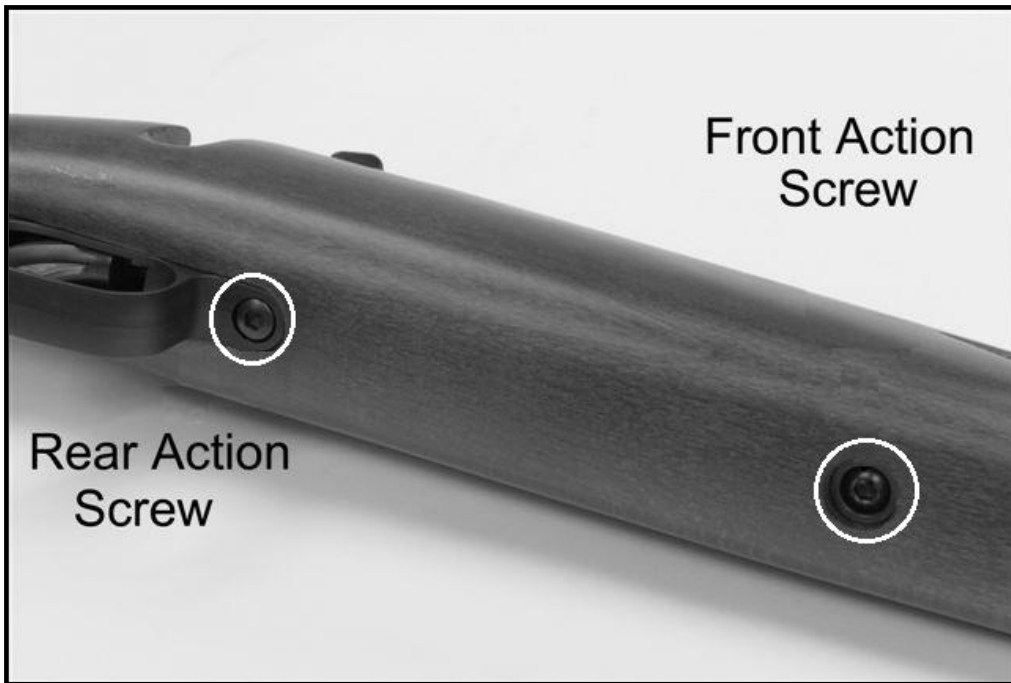
**BE SURE THE BOLT IS OPEN AND THERE IS NO LIVE AMMUNITION IN EITHER THE CHAMBER OR MAGAZINE.**

**THE ONLY TIME YOU CAN BE ABSOLUTELY CERTAIN THAT A GUN CANNOT FIRE IS WHEN THE ACTION IS OPEN AND IT IS COMPLETELY EMPTY OF AMMUNITION.**

**THERE IS NO REASON TO REMOVE THE MAGAZINE ASSEMBLY FROM THE STOCK. PULLING ON THE 'FEEDING LIPS' OR SIDES OF THE MAGAZINE MAY DISTORT ITS OVERALL SHAPE AND RESULT IN AMMUNITION NOT LOADING OR FEEDING RELIABLY.**

1. Turn the firearm upside down, with the muzzle pointed away from you.
2. Using a 5/32" Allen wrench, loosen and remove the two screws securing the stock. FIGURE 9 is for a TOP LOAD or DETACHABLE BOX MAGAZINE and FIGURE 10 shows the HINGED FLOOR PLATE.





**FIGURE 9**



**FIGURE 10**

3. Remove the stock.
4. Insert the ACCUTRIGGER™ supplied tool into the bottom of the trigger return spring as shown, to engage the spring-tail with the slot on the tool. Turn the trigger return spring (A) with the trigger adjustment tool (B) as shown in FIGURE 11 and FIGURE 12.
5. To adjust towards the higher range of pull, turn the tool clockwise. The maximum trigger pull is at the point where the spring “clicks” when rotated (see FIGURE 11).
6. To adjust towards the lower range of pull, turn the tool counter-clockwise. The minimum trigger pull is at the point where the large coil contacts the top surface of the trigger and you detect resistance (see FIGURE 12).

THE SPRING SHOULD NOT BE FORCED BEYOND THESE LIMITS.

MAXIMUM TRIGGER PULL

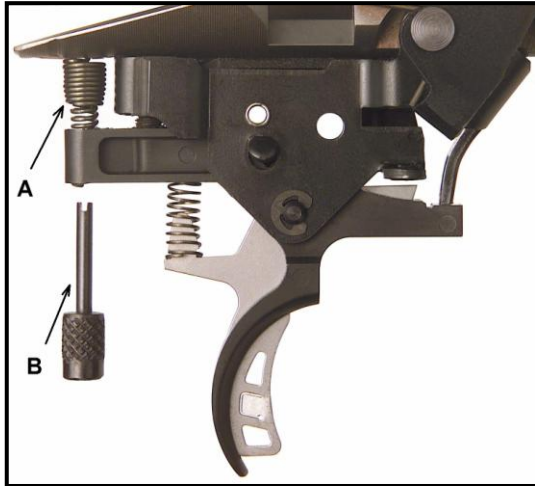


FIGURE 11

MINIMUM TRIGGER PULL

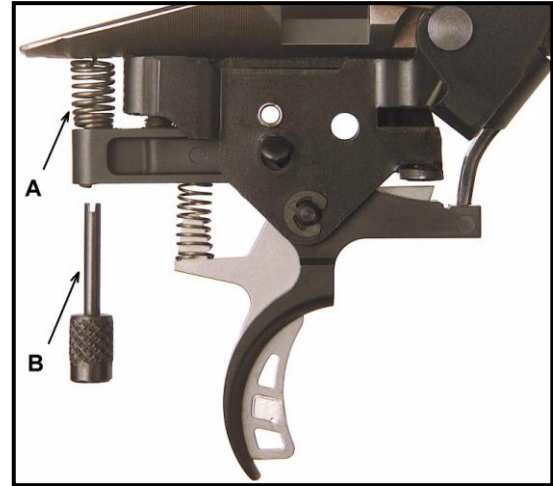


FIGURE 12

7. The **ACCURELEASE™** (see FIGURE 13 and FIGURE 14) adds an additional level by stopping the sear if the rifle is accidentally jarred or dropped with the safety in the “FIRE” position.

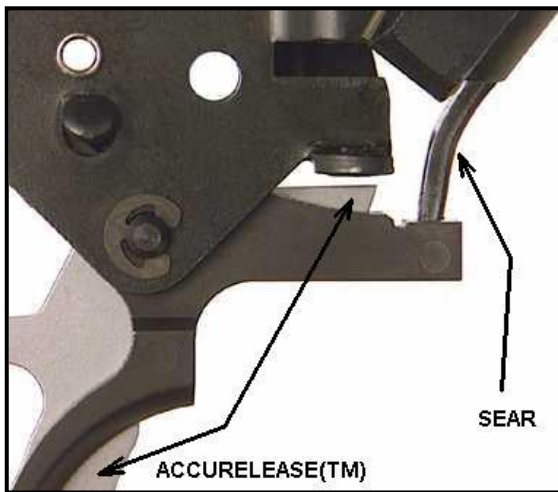


FIGURE 13

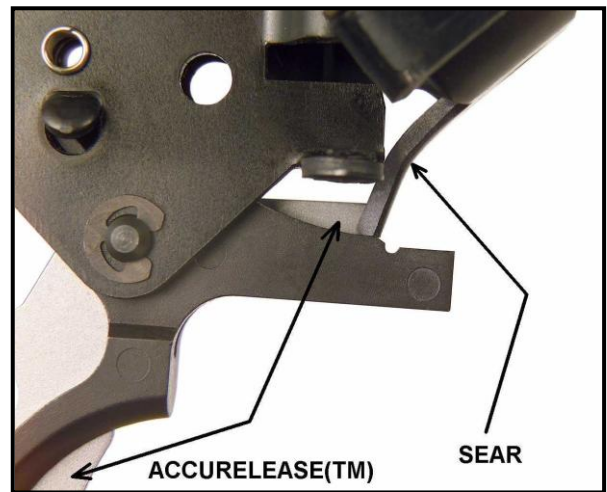


FIGURE 14

FOR HEAVY BARRELED FIREARMS, SAVAGE ARMS RECOMMENDS THE LOWER SETTINGS BE USED ONLY FOR CONTROLLED PRECISION SHOOTING DUE TO THE SENSITIVITY OF THE TRIGGER AND THE SEAR. WHEN SHIPPED FROM THE FACTORY AT THIS LOWER SETTING, EXCESSIVE JARRING OR PULLING THE TRIGGER WITHOUT DEPRESSING THE ACCURELEASE™ MAY CAUSE THE SEAR TO MOVE (SEE FIGURE 14). AS DESIGNED, THE ACCURELEASE™ WILL PREVENT ACCIDENTAL DISCHARGE BY ‘LOCKING’ THE TRIGGER WHEN USED PROPERLY, MAINTAINED AND SERVICED REGULARLY. IN THIS EVENT, THE BOLT MUST BE RE-COCKED IN ORDER TO RESET THE SEAR.

WHEN THE SEAR IS BLOCKED BY THE ACCURELEASE™ (SEE FIGURE 14), THE FIRING PIN IS RESTRAINED WITHIN THE BOLT ASSEMBLY, PREVENTING IT FROM HITTING THE PRIMER. THE ‘CLICK’ THAT IS HEARD IS THE ACTUAL SEAR BEING BLOCKED BY THE ACCURELEASE™, NOT THE FIRING PIN!

**DO NOT MOVE THE SAFETY FORWARD TO THE SAFETY OFF – READY TO FIRE POSITION UNTIL YOU ARE READY TO SHOOT.**

**KEEP YOUR FINGER OFF THE TRIGGER AND OUT OF THE TRIGGER GUARD UNTIL YOU ARE READY TO SHOOT.**

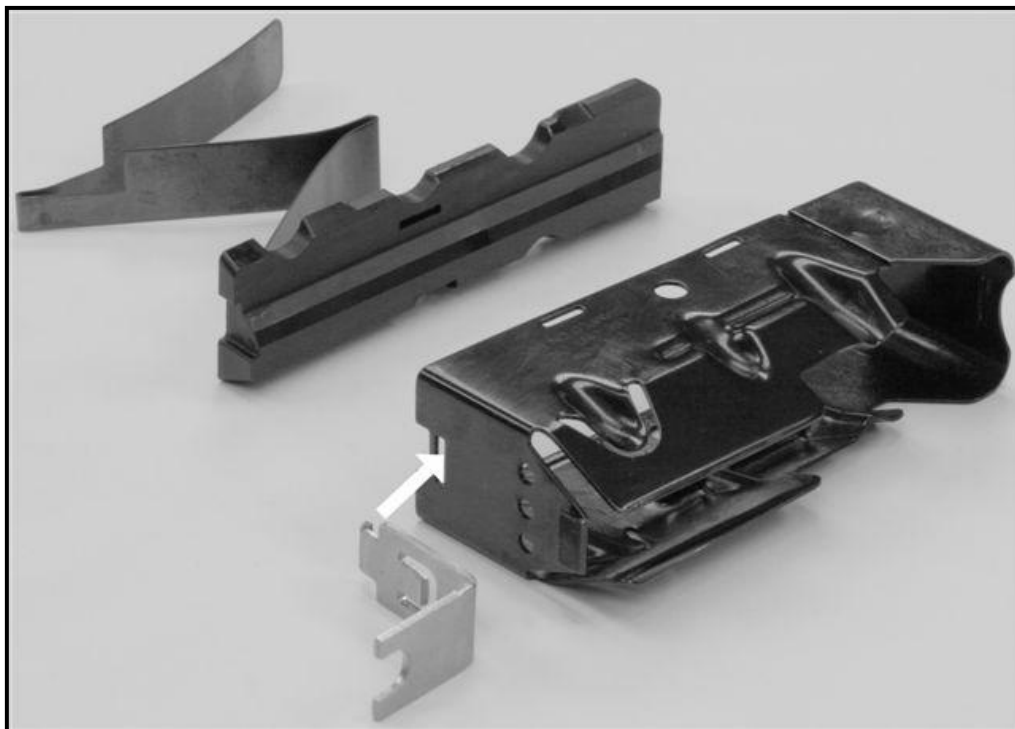
**THE ONLY TIME YOU CAN BE ABSOLUTELY CERTAIN THAT A GUN CANNOT FIRE IS WHEN THE ACTION IS OPEN AND IT IS COMPLETELY EMPTY OF AMMUNITION.**

### **REASSEMBLING THE STOCK**

1. For TOP LOAD models, notice the position in the stock of the magazine, plastic follower assembly, and magazine retaining clip in FIGURE 15. Should they become loose and fall out of the stock, place the retaining clip into the side slot of the magazine (see FIGURE 16), insert the plastic magazine follower assembly into the magazine, and push the entire magazine assembly back in to the stock as shown in FIGURE 15.



**FIGURE 15**



## FIGURE 16

2. For DETACHABLE BOX MAGAZINE models, remove the magazine prior to reassembling the stock.
3. For HINGED FLOOR PLATE models, open the floor plate and push the retaining latch to gain clear access to the action screw hole (see FIGURE 10).
4. Place the action onto the stock, being careful to align the trigger with the trigger slot in the stock.
5. Install the action screws (longer screw is to the rear and the shorter screw is to the front) into the stock and turn the wrench clockwise until the threads of the screws just engage into the receiver. DO NOT OVER TIGHTEN – the stock must be loose at this step!
6. Carefully lift the firearm up so that the recoil pad is sitting on a solid surface and the barrel is pointing upward.
7. Putting downward pressure on the barrel to seat the recoil lug firmly in the stock, tighten the front action screw first and then the rear action screw securely.
8. Reach down into the receiver with your forefinger and press down on the plastic magazine follower to be sure that it moves freely. If it binds, remove the stock, check the position of the magazine assembly in the stock (see FIGURE 15), and repeat the steps for INSTALLING THE STOCK.

**KNOW YOUR GUN! IF ANYTHING 'FEELS' OR SOUNDS DIFFERENT - STOP - AND HAVE A QUALIFIED GUNSMITH TAKE A LOOK! NEVER TAKE A CHANCE WITH SOMETHING THAT YOU ARE UNSURE OF ... ALWAYS ASK A PROFESSIONAL.**

9. Cycle the bolt several times to be sure that it functions properly. If you are unable to close the bolt handle completely, the action screws are reversed.

**AFTER REASSEMBLING THE STOCK, VERIFY THAT THE SAFETY OPERATES CORRECTLY IN ALL 3 POSITIONS AS DEFINED IN THE 'BASIC FUNCTIONS' SECTION OF THIS MANUAL. SAFE OWNERSHIP IS YOUR RESPONSIBILITY!**

## **MUZZLE BRAKES**

**THIS SECTION ONLY APPLIES TO FIREARMS EQUIPPED WITH THE SAVAGE ARMS ADJUSTABLE MUZZLE BRAKE.**

**NEVER ADJUST THE MUZZLE BRAKE IF THE FIREARM IS LOADED.**

**ALWAYS WEAR EAR AND EYE PROTECTION.**

**WHEN SHOOTING WITH THE MUZZLE BRAKE OPEN, BE SURE THE MUZZLE IS IN A CLEAR AREA; FREE OF DEBRIS AND OTHER SHOOTERS.**

**IN ORDER TO REDUCE THE RECOIL, MUZZLE BRAKES ARE DESIGNED TO ALLOW PRESSURE TO ESCAPE IN A 360 DEGREE PATTERN PRIOR TO LEAVING THE BARREL. RELEASED THROUGH THE HOLES IN THE MUZZLE BRAKE, THIS PRESSURE IS EXTREMELY POWERFUL AND HOT. BEFORE FIRING, BE SURE YOUR HAND IS ON THE FOREND ONLY! PLACING YOUR HAND ON THE BARREL OR MUZZLE BRAKE WHEN SHOOTING WILL CAUSE SEVERE BODILY INJURY. THINK BEFORE YOU SHOOT – IT IS YOUR RESPONSIBILITY TO KNOW WHERE YOUR HANDS ARE AND THE PROXIMITY OF OTHERS TO THE OPEN MUZZLE BRAKE!**

**TO OPEN (reduce recoil)**

**BE SURE THE BOLT IS OPEN AND THERE IS NO LIVE AMMUNITION IN EITHER THE CHAMBER OR MAGAZINE.**

1. Hold the firearm in your strong (dominant) hand with the muzzle pointed forward.

2. Grasp the MUZZLE BRAKE with your other hand and twist it ¼ turn counterclockwise (you will hear a distinct “click”).
3. To be sure the MUZZLE BRAKE is open, the holes should be perfectly lined up; allowing you to see through them.

### **TO CLOSE (full recoil)**

***BE SURE THE BOLT IS OPEN AND THERE IS NO LIVE AMMUNITION IN EITHER THE CHAMBER OR MAGAZINE.***

1. Hold the firearm in your strong (dominant) hand with the muzzle pointed forward.
2. Grasp the MUZZLE BRAKE with your other hand and twist it ¼ turn clockwise (you will hear a distinct “click”).
3. To be sure the MUZZLE BRAKE is closed, the holes will not be lined up; you will not be able to see through them.

### **TO CLEAN THE MUZZLE BRAKE**

***BE SURE THE BOLT IS OPEN AND THERE IS NO LIVE AMMUNITION IN EITHER THE CHAMBER OR MAGAZINE.***

1. After each use, position the MUZZLE BRAKE in the closed position.
2. Liberally apply a cleaning solvent that DOES NOT contain oil (such as a brake cleaner found in auto parts store).
3. Open and close the MUZZLE BRAKE, working the solvent into the mechanism to flush out any residue and prevent carbon build-up.

***APPLYING OIL TO THE ADJUSTABLE MUZZLE BRAKE WILL INCREASE CARBON BUILD-UP AND MAY CAUSE THE BRAKE TO MALFUNCTION.***

## **CLEANING AND CARE OF YOUR FIREARM**

***YOUR GUN IS A MECHANICAL DEVICE WHICH WILL NOT LAST FOREVER AND IS SUBJECT TO WEAR. AS WITH ANY PRECISION TUNED MECHANICAL DEVICE, PERIODIC INSPECTION/ MAINTENANCE IS REQUIRED – AND YOUR RESPONSIBILITY!***

### **TO REMOVE THE BOLT**

***ALWAYS KEEP THE MUZZLE POINTED IN A SAFE DIRECTION.***

1. Lift the bolt handle and pull fully rearward.
2. When the bolt is opened, look and feel to be sure there are no cartridges in either the chamber or magazine.
3. Pull back on the trigger while pressing down on the COCKING INDICATOR (see FIGURE 1).
4. Slide the bolt out of the rear of the receiver.
5. Care should be taken not to hit the stock with the bolt.

***BOLT ASSEMBLIES ARE SPECIFICALLY MATCHED TO A FIREARM. USING ANY OTHER BOLT ASSEMBLY MAY CAUSE EXTENSIVE DAMAGE TO THE FIREARM AND/OR SERIOUS INJURY TO THE SHOOTER OR BYSTANDER.***

***DISASSEMBLE ONLY ONE FIREARM AT A TIME TO AVOID INTERCHANGING COMPONENTS.***

### **CLEANING THE BORE**

***LOOK AND FEEL! BE SURE THE CHAMBER AND MAGAZINE ARE COMPLETELY EMPTY -- DO NOT ASSUME!!!***

***NEVER ATTEMPT TO DISASSEMBLE, CLEAN, OR OIL A LOADED FIREARM!***



**BE SURE TO READ AND UNDERSTAND ALL OF THE CAUTIONS AND WARNINGS ON ALL SOLVENTS AND CHEMICALS PRIOR TO USE. FOLLOW THE MANUFACTURER'S INSTRUCTIONS FOR BEST CLEANING RESULTS.**

1. Prepare an area for cleaning the firearm with a suitable surface, adequate ventilation, correct caliber cleaning rod, brush, patches, powder solvent, and oil.
2. Remove the bolt.
3. Lay the firearm horizontally with the ejection port facing down.

**ALWAYS STARTING FROM THE CHAMBER END, PUSH THE CLEANING ROD THROUGH THE BORE AND OUT THE MUZZLE END.**

4. Using a small amount of powder solvent on the brush, push the cleaning rod through the barrel several times.
5. Unscrew the brush from the cleaning rod and replace it with a patch tip.
6. Push a new patch through the bore starting from the chamber end and out the muzzle.
7. Repeat the prior step (# 6) several times.
8. Push a new patch saturated with gun oil through the bore.
9. Push a new dry patch through the bore to remove the excess oil.
10. When done, always verify that the "THREE POSITION SAFETY" is operational as explained in the beginning of SECTION 2.

**CHECK THE BORE CAREFULLY WHEN DONE TO BE SURE THERE ARE NO OBSTRUCTIONS (I.E. PIECES OF CLEANING PATCH, ETC.).**

**A VERY THIN FILM OF OIL IS SUFFICIENT PROTECTION – DO NOT OVER OIL!!!**

**YOUR GUN IS A MECHANICAL DEVICE WHICH WILL NOT LAST FOREVER AND IS SUBJECT TO WEAR. CONTACT SAVAGE ARMS SERVICE DEPARTMENT FOR PERIODIC INSPECTION, ADJUSTMENT AND SERVICE.**

**FAILURE TO PROPERLY MAINTAIN YOUR FIREARM MAY LEAD TO DAMAGE AND/OR SERIOUS INJURY TO THE SHOOTER OR BYSTANDER.**

### **PROTECTING METAL SURFACES**

1. In order to be able to reach all surfaces, remove the bolt prior to cleaning and oiling.
2. With a soft cloth, remove any foreign matter (i.e. mud, twigs, grass).
3. Apply a thin coat of gun oil on all cleaned metal surfaces. Rubbing may be necessary to remove any signs of rust.
4. Where accessible, clean and lightly oil interior metal surfaces.
5. When done, always verify that the "THREE POSITION SAFETY" is operational as explained in the beginning of SECTION 2.

**DO NOT DISASSEMBLE THE BOLT ASSEMBLY.**

**CHECK THE BORE CAREFULLY WHEN DONE TO BE SURE THERE ARE NO OBSTRUCTIONS (I.E. PIECES OF CLEANING PATCH, ETC.).**

## **SECTION 3**

### **PARTS LIST AND DIAGRAM**

### **ACCUTRIGGER™**

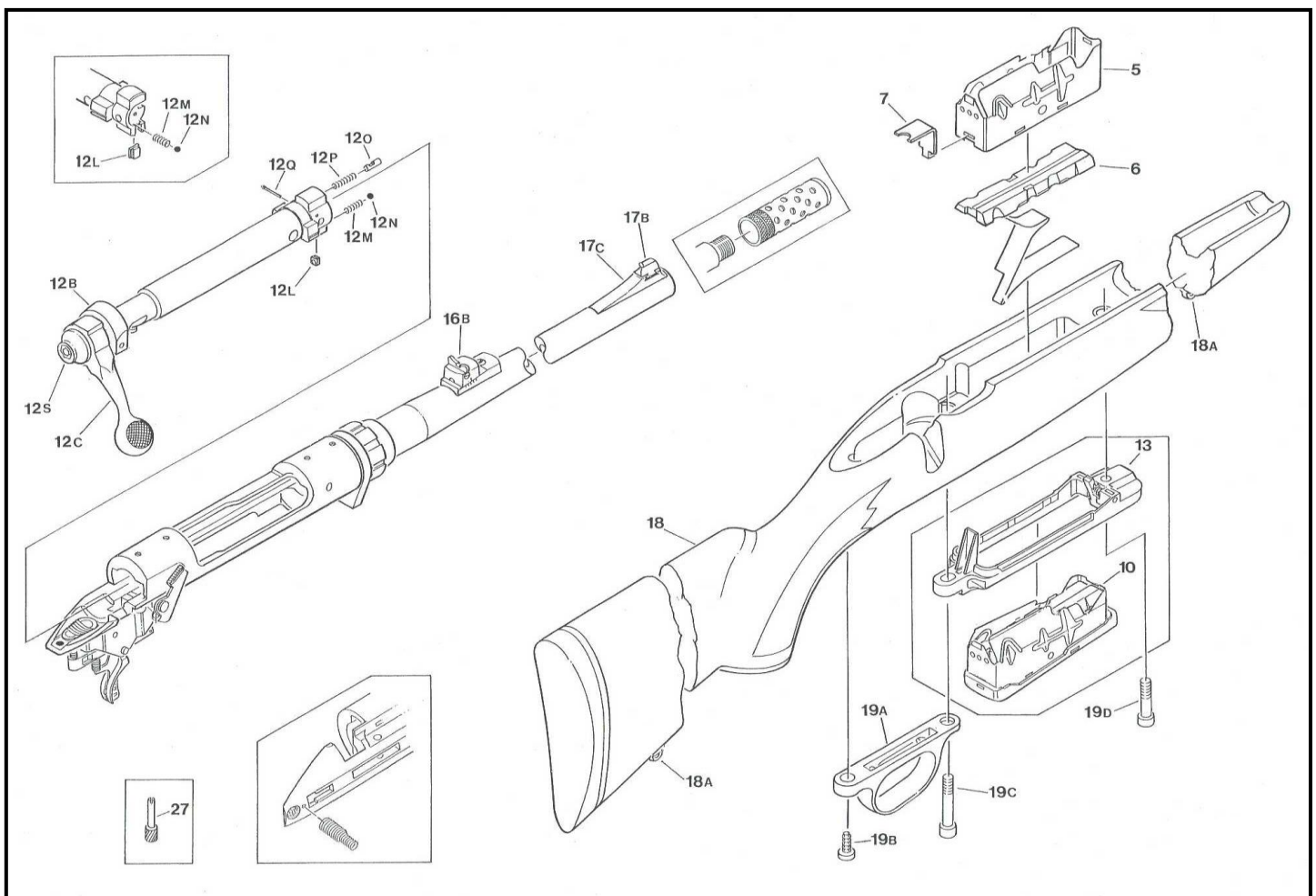
### **TOP LOAD OR DETACHABLE BOX MAGAZINE**

FOR MORE INFORMATION, PLEASE VISIT OUR WEB SITE AT: [WWW.SAVAGEARMS.COM](http://WWW.SAVAGEARMS.COM)

As a 'customer driven' company, parts may be ordered directly from Savage Arms [413-568-7001] between the hours of 9:00 and 4:00 (Eastern Standard Time). There is a minimum order and please allow 2 weeks for delivery. Only the parts indicated may be purchased by an individual. All other parts/subassemblies are either 'factory fit' or available to qualified gunsmiths only.

Please be advised that some parts may require fitting. Savage Arms bears no responsibility for the function or performance of any firearm that has been repaired or modified by other than Savage Arms Service Department. As such, Savage Arms accepts no responsibility/liability for any direct and/or consequential damage and/or injury resulting from the use of a firearm repaired or modified by other than the Savage Arms Service Department.

***SAVAGE ARMS OFFERS CERTAIN MODEL FIREARMS WITH AN ACCUTRIGGER™ - SPECIALLY DESIGNED USER ADJUSTABLE TRIGGER. AT THE LOWER SETTINGS, HEAVY BARRELED FIREARMS ARE CONSIDERED TARGET FIREARMS. IT IS THE SOLE RESPONSIBILITY OF THE SHOOTER TO EXERCISE EXTREME CARE WHILE ADJUSTING/HANDLING THESE FIREARMS. SAVAGE ARMS ACCEPTS NO RESPONSIBILITY/LIABILITY FOR ANY DIRECT AND/OR CONSEQUENTIAL DAMAGE AND/OR INJURY RESULTING FROM THE MISUSE AND/OR MISHANDLING OF A FIREARM. AS WITH ANY PRECISION TUNED MECHANICAL DEVICE, PERIODIC INSPECTION/MAINTENANCE IS REQUIRED – AND YOUR RESPONSIBILITY!***



**BOLT ACTION – ACCUTRIGGER™  
TOP LOAD OR DETACHABLE BOX MAGAZINE**

BOLT ACTION - ACCUTRIGGER™  
TOP LOAD OR DETACHABLE BOX MAGAZINE

<u>Item #</u>	<u>Description</u>	<u>Item #</u>	<u>Description</u>
5	Magazine box	12S	Bolt assembly screw
6	Magazine follower assy	13	Frame assembly
7	Magazine retaining clip	16B	Rear sight assembly
10	Detachable box magazine assembly	17B	Front sight blade
12B	Rear baffle assembly	17C	Front sight base
12C	Bolt handle	18	Stock assembly
12L	Extractor	18A	Swivel stud
12M	Extractor spring	19A	Trigger guard
12N	1/8" steel ball	19B	Rear trigger guard screw
12O	Ejector	19C	Rear action screw
12P	Ejector spring	19D	Front action screw
12Q	Ejector retaining pin	27	Tension adj tool

## SECTION 4

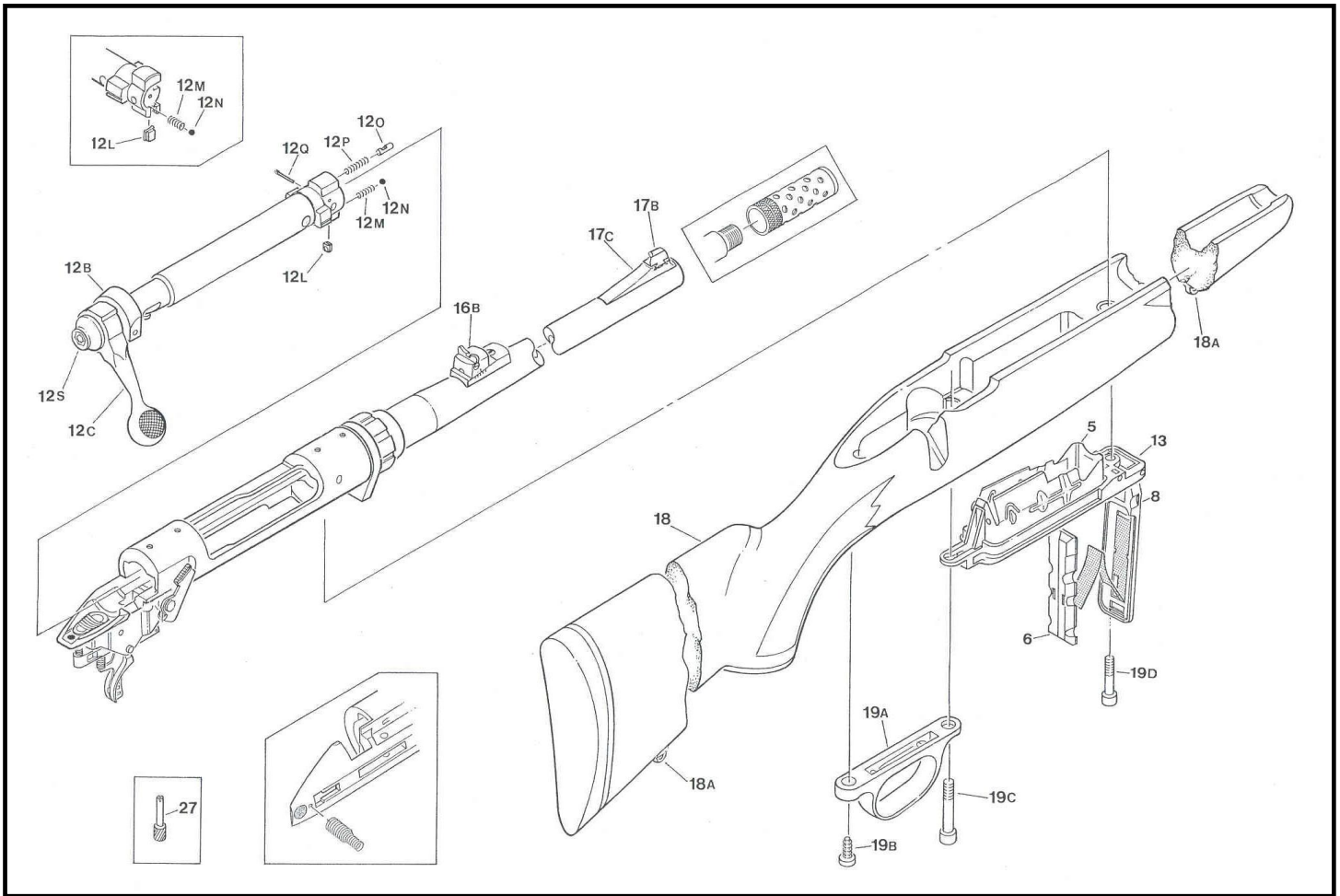
### **PARTS LIST AND DIAGRAM** **ACCUTRIGGER™** **HINGED FLOOR PLATE**

FOR MORE INFORMATION, PLEASE VISIT OUR WEB SITE AT: [WWW.SAVAGEARMS.COM](http://WWW.SAVAGEARMS.COM)

As a 'customer driven' company, parts may be ordered directly from Savage Arms [413-568-7001] between the hours of 9:00 and 4:00 (Eastern Standard Time). There is a minimum order and please allow 2 weeks for delivery. Only the parts indicated may be purchased by an individual. All other parts/subassemblies are either 'factory fit' or available to qualified gunsmiths only.

Please be advised that some parts may require fitting. Savage Arms bears no responsibility for the function or performance of any firearm that has been repaired or modified by other than Savage Arms Service Department. As such, Savage Arms accepts no responsibility/liability for any direct and/or consequential damage and/or injury resulting from the use of a firearm repaired or modified by other than the Savage Arms Service Department.

**SAVAGE ARMS OFFERS CERTAIN MODEL FIREARMS WITH AN ACCUTRIGGER™ - SPECIALLY DESIGNED USER ADJUSTABLE TRIGGER. AT THE LOWER SETTINGS, HEAVY BARRELED FIREARMS ARE CONSIDERED TARGET FIREARMS. IT IS THE SOLE RESPONSIBILITY OF THE SHOOTER TO EXERCISE EXTREME CARE WHILE ADJUSTING/HANDLING THESE FIREARMS. SAVAGE ARMS ACCEPTS NO RESPONSIBILITY/LIABILITY FOR ANY DIRECT AND/OR CONSEQUENTIAL DAMAGE AND/OR INJURY RESULTING FROM THE MISUSE AND/OR MISHANDLING OF A FIREARM. AS WITH ANY PRECISION TUNED MECHANICAL DEVICE, PERIODIC INSPECTION/MAINTENANCE IS REQUIRED – AND YOUR RESPONSIBILITY!**



**BOLT ACTION – ACCUTRIGGER™  
HINGED FLOOR PLATE**

**BOLT ACTION – ACCUTRIGGER™  
HINGED FLOOR PLATE**

<u>Item #</u>	<u>Description</u>	<u>Item #</u>	<u>Description</u>
5	Magazine box	13	Frame assembly
6	Magazine follower assy	16B	Rear sight assembly
8	Magazine bottom	17B	Front sight blade
12B	Rear baffle assembly	17C	Front sight base
12C	Bolt handle	18	Stock assembly
12L	Extractor	18A	Swivel stud
12M	Extractor spring	19A	Trigger guard
12N	1/8" steel ball	19B	Rear trigger guard screw
12O	Ejector	19C	Rear action screw
12P	Ejector spring	19D	Front action screw
12Q	Ejector retaining pin	27	Tension adj tool
12S	Bolt assembly screw		

**SECTION 5**

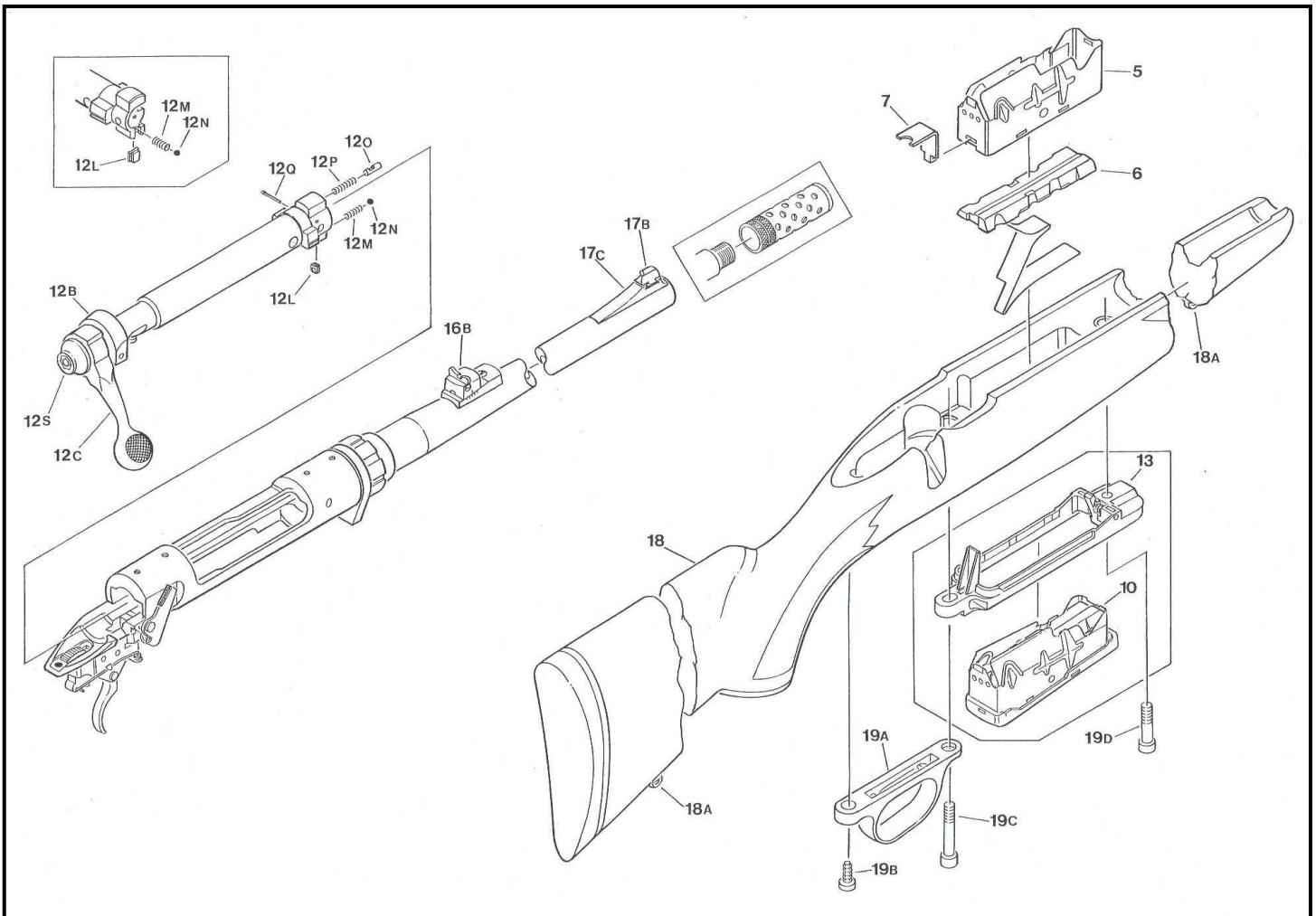
**PARTS LIST AND DIAGRAM  
STANDARD TRIGGER**

# **TOP LOAD OR DETACHABLE BOX MAGAZINE**

FOR MORE INFORMATION, PLEASE VISIT OUR WEB SITE AT: [WWW.SAVAGEARMS.COM](http://WWW.SAVAGEARMS.COM)

As a 'customer driven' company, parts may be ordered directly from Savage Arms [413-568-7001] between the hours of 9:00 and 4:00 (Eastern Standard Time). There is a minimum order and please allow 2 weeks for delivery. Only the parts indicated may be purchased by an individual. All other parts/subassemblies are either 'factory fit' or available to qualified gunsmiths only.

Please be advised that some parts may require fitting. Savage Arms bears no responsibility for the function or performance of any firearm that has been repaired or modified by other than Savage Arms Service Department. As such, Savage Arms accepts no responsibility/liability for any direct and/or consequential damage and/or injury resulting from the use of a firearm repaired or modified by other than the Savage Arms' Service Department.



## **BOLT ACTION – STANDARD TRIGGER TOP LOAD OR DETACHABLE BOX MAGAZINE**

BOLT ACTION - STANDARD TRIGGER  
TOP LOAD OR DETACHABLE BOX MAGAZINE

<u>Item #</u>	<u>Description</u>	<u>Item #</u>	<u>Description</u>
5	Magazine box	12S	Bolt assembly screw
6	Magazine follower assembly	13	Frame assembly
7	Magazine retaining clip	16B	Rear sight assembly
10	Detachable box magazine assembly	17B	Front sight blade



12B	Rear baffle assembly	17C	Front sight base
12C	Bolt handle	18	Stock assembly
12L	Extractor	18A	Swivel stud
12M	Extractor spring	19A	Trigger guard
12N	1/8" steel ball	19B	Rear trigger guard screw
12O	Ejector	19C	Rear action screw
12P	Ejector spring	19D	Front action screw
12Q	Ejector retaining pin		

## SECTION 6

### AMMUNITION BULLET WEIGHTS

FOR MORE INFORMATION, PLEASE VISIT OUR WEB SITE AT: [WWW.SAVAGEARMS.COM](http://WWW.SAVAGEARMS.COM)

Bullet specifications and trajectories are available directly from the ammunition manufacturer.

The following table lists the bullet weights used for 100 yard targeting evaluation at Savage Arms. Performance may vary based on brand/type of ammunition, individual characteristics of the firearm, and/or shooting conditions.

**USE ONLY THE CORRECT AMMUNITION THAT IS STAMPED ON THE SIDE OF THE BARREL.**

**THE USE OF RELOADS, HANDLOADS, MILITARY SURPLUS, OR ANY OTHER COMMERCIAL / NONCOMMERCIAL AMMUNITION NOT MANUFACTURED TO SAAMI (SPORTING ARMS AND AMMUNITION MANUFACTURERS' INSTITUTE, INC.)/ ANSI (AMERICAN NATIONAL STANDARDS INSTITUTE) SPECIFICATIONS WILL VOID THE WARRANTY.**

Caliber	Bullet Weight (Grains)
220 Swift	Federal Premium 52 grain Sierra Match King BTHP
223 Remington	Federal 69 grain Sierra Match King BTHP
204 Ruger	Hornady 32 grain V Max
22-250 Remington	Federal V Shock 40 grain Nosler Ballistic Tip
243 Winchester	Federal 70 grain Nosler Ballistic Tip
25-06 Remington	Federal 90 grain Varmint HP
270 Winchester	Federal 130 grain Nosler Ballistic Tip
270 Winchester Short Magnum	Winchester 130 grain Ballistic Silver Tip
7mm-08 Remington	Federal 140 grain Nosler Ballistic Tip
7mm Remington Magnum	Federal 150 grain Nosler Ballistic Tip
7mm Remington Winchester Short Magnum	Winchester 160 grain Fail Safe
300 Winchester Magnum	Federal 165 grain Partition Gold
300 Winchester Short Magnum	Winchester 150 grain Ballistic Silver Tip
308 Winchester	Federal 168 grain Sierra Match King BTHP
30-06 Springfield	Federal 168 grain Sierra Match King BTHP
325 Winchester Short Magnum	
338 Winchester Magnum	Nosler 210 grain Partition

Caliber	Magazine Capacity
220 Swift	Single Shot only
223 Remington	4 – 1 in the chamber
204 Ruger	4 – 1 in the chamber

22-250 Remington	4 – 1 in the chamber
243 Winchester	4 – 1 in the chamber
25-06 Remington	4 – 1 in the chamber
270 Winchester	4 – 1 in the chamber
270 Winchester Short Magnum	2 – 1 in the chamber
7mm-08 Remington	4 – 1 in the chamber
7mm Remington Magnum	3 – 1 in the chamber
7mm Remington Winchester Short Magnum	2 – 1 in the chamber
300 Winchester Magnum	3 – 1 in the chamber
300 Winchester Short Magnum	2 – 1 in the chamber
308 Winchester	4 – 1 in the chamber
30-06 Springfield	4 – 1 in the chamber
325 Winchester Short Magnum	2 – 1 chamber
338 Winchester Magnum	3 – 1 in the chamber

## SECTION 7

### RINGS FOR MOUNTING A SCOPE

FOR MORE INFORMATION, PLEASE VISIT OUR WEB SITE AT: [WWW.SAVAGEARMS.COM](http://WWW.SAVAGEARMS.COM)

#### RINGS FOR MOUNTING A SCOPE

Bases supplied on some firearms at time of shipment are 'Weaver' style. The following companies manufacturer *RINGS* that may be used with this style base or their own design.

The manufacturers listed below should be contacted for specific part numbers and information.

WEAVER MOUNTS  
P.O. Box 39  
Onalaska, WI 54650  
1-800-635-7656  
[www.weaver-mounts.com](http://www.weaver-mounts.com)

KWIK-SITE  
5555 Treadwell  
Wayne, MI 48184  
734-326-1500  
[www.kwiksitecorp.com](http://www.kwiksitecorp.com)

B-SQUARE  
P.O. Box 11281  
Fort Worth, TX 76110  
800-433-2909  
[www.b-square.com](http://www.b-square.com)

BURRIS  
331 East 8<sup>th</sup> Street  
Greeley, CO 80631  
970-356-1670  
[www.burrisoptics.com](http://www.burrisoptics.com)

MILLETT  
16131 Gothard Street  
Huntington Beach, CA  
800-645-5388  
[www.millettsights.com](http://www.millettsights.com)

LEUPOLD  
14400 NW Greenbrier Fort Parkway  
Beaverton, OR 97006  
503-526-1400  
[www.leupold.com](http://www.leupold.com)

## SECTION 8

### STATEMENT OF LIMITED WARRANTY

FOR MORE INFORMATION, PLEASE VISIT OUR WEB SITE AT: [WWW.SAVAGEARMS.COM](http://WWW.SAVAGEARMS.COM)

## **STATEMENT OF LIMITED WARRANTY**

Please complete the *WARRANTY REGISTRATION CARD* and return it to Savage Arms, Inc. within ten (10) days from the date of purchase.

Savage Arms, Inc. must be notified within one (1) year from the date of purchase of any defect in materials or workmanship encountered during normal use.

### **WHO IS COVERED?**

- The original owner (with proof of purchase).

### **WHAT IS COVERED?**

- Any defect in materials or workmanship performed at Savage Arms.

### **HOW LONG IS THE WARRANTY PERIOD?**

- One (1) year from the date of purchase.

### **WHAT IS NOT COVERED?**

*PERSONAL INJURY, PROPERTY DAMAGE, AND/OR DAMAGE TO THE FIREARM CAUSED BY:*

- Improper maintenance or negligence to provide proper care and maintenance.
- Alterations/modifications performed without the written authorization of Savage Arms, Inc. Service Department.
- Normal wear; tear; and/or corrosion.
- Accidental discharge, careless handling, and/or misuse.
- Barrel obstructions.

### **EXCLUSIONS AND LIMITATIONS:**

This *WARRANTY* and the remedies set forth herein are exclusive and take the place of all other expressed or implied *WARRANTIES* (including any implied *WARRANTY* of merchantability or fitness for any particular purpose which are disclaimed). No other representations or claims of any nature shall be binding on or obligate Savage Arms, Inc.

Savage Arms, Inc. excludes any incidental and consequential damages under this warranty. Some states do not allow exclusions or limitations on how long an implied warranty lasts, so the above limitations may not apply to you.

This *WARRANTY* gives you specific legal rights. You may have other rights, which will vary from state to state.

### **RETURNING A FIREARM:**

For *WARRANTY* claims, proof of purchase must accompany the firearm.

It is a violation of Federal Law to ship a firearm with live ammunition either in the box or in the firearm itself. If received, The Bureau of Alcohol, Tobacco, and Firearms must be notified!

Savage Arms, Inc, is not responsible for the loss or damage to any accessories shipped with the firearm.

If there is a question whether the firearm should be returned or parts could be purchased, please call 1-413-568-7001 between 9:00 am and 4:00 p.m. EST and ask for the Service/Warranty Department.

All firearms are to be sent to Savage Arms, Inc. at the owner's expense. Warranty repairs will be returned to the owner at Savage Arms expense.

1. Pack the firearm in its original box if possible. If a similar suitable box is used, care should be taken to protect the barrel/muzzle from breaking through. Always pack with the assumption that the firearm will undergo rough handling during transit to Savage Arms.
2. Enclose a brief note including:
  - name, address and phone number of the sender

- serial number of the firearm
  - description of the problem you are having
  - bullet weight, bullet type, and manufacturer of the ammunition you are using
  - any other information which you feel may be helpful.
3. Return to:
- Savage Arms, Inc.  
100 Springdale Road  
Westfield, MA 01085  
Attn: Service Department
4. If there will be a charge involved for the repair, a quote will be sent within fourteen (14) working days.
- If there is no response from the quote within thirty (30) days, the firearm will be returned COD (\$20.00 Shipping/Handling).

Firearms will be repaired typically 3 weeks after receipt of payment in the order they were received.