



NORTH AMERICAN ARMS® , INC.
"Owner's Instructional Manual"



North American Arms® , Inc. Mini-Revolvers
.22 Magnum • .22 Long Rifle • .22 Short

Congratulations on your purchase of a North American Arms® (NAA®) mini-revolver! This handgun has been manufactured in the United States from the finest available materials by a team of highly-trained and long-experienced craftsmen. Before leaving the factory, your handgun was thoroughly inspected and test fired to assure you years of reliable, trouble-free service.

This manual was written to provide you with information regarding the safe operation specific to this handgun. It is critically important that you become familiar with this handgun and its features, and that you gain this familiarity before loading it. As the owner, you are responsible for the safe use and storage of this handgun.

If you have any questions regarding the operation &/or safe handling of this handgun, you are invited to contact the factory, either by email to: ***CustomerService@NorthAmericanArms.com*** or by calling the factory at 800-821-5783.

WARRANTY

All NAA® products carry a lifetime warranty to the original registered owner which covers defects in materials, workmanship and mechanical function. The warranty does not cover normal wear or damage resulting from neglect, abuse, customizing or repairs not made by NAA®.

You can register this gun with the factory either by returning the enclosed card or by visiting our website: www.NorthAmericanArms.com

Under the terms of this warranty, NAA® will repair or replace, at its option, the handgun or any part thereof, without charge, provided that the handgun is returned pre-paid to the factory.

NAA® does not cover return shipping on firearms manufactured more than two years prior to the factory's date of receipt.

Disassembly of this handgun beyond that required for loading and unloading will render this warranty null and void.

NAA® strongly recommends that you record and store the serial number for this firearm.

STATEMENT OF LIABILITY

WARNING! All NAA® mini-revolvers are classified as dangerous weapons; therefore NAA® surrenders this handgun with the understanding that no liability whatsoever is assumed by NAA® for its resale, safe handling nor compliance with existing State or Federal laws and regulations by future recipients.

Further, NAA® accepts no liability for personal injury, or loss of property or life resulting from the use of this handgun under any circumstances, including intentional discharge, reckless conduct, negligence or accidental discharge of this handgun nor the function of this handgun when subjected to influences beyond the control of NAA®.

SAFE OPERATIONS

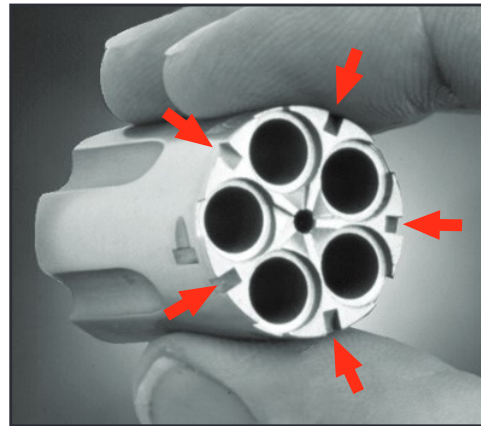
All NAA® mini-revolvers are designed with safe operation in mind. However, because of their small size, particular care must be taken while handling this handgun. Strict attention must be paid to all the basic rules of firearms safety. All fingers must be kept behind the muzzle and away from the cylinder-barrel gap. Before loading or firing this handgun, read this manual thoroughly, making sure that you understand the operations of the handgun and assuring that you have rehearsed and are entirely familiar with the functioning of the safety slot. *The traditional half-cock (first hammer stop) position is not intended to serve as a safety; its purpose is solely as an aid to loading and unloading.*

THE SAFETY SLOT

For years, the conventional way to safely carry a single-action revolver, like an NAA® mini-revolver, was to rest the hammer over the top of an empty chamber in the cylinder.

The reason was to eliminate the risk that, in the event that the gun was dropped or the hammer was otherwise struck, energy would be transferred to a cartridge and a round would accidentally discharge. While an effective solution, the cost of that strategy was to reduce the gun's capacity by one round.

About 25 years ago, NAA®'s engineers designed an elegant solution, which was to mill a small notch (safety slot) on the rim of the cylinder. The blade of the hammer is fit into that notch and any energy or impact on the hammer is harmlessly transferred to the wall of the cylinder instead of the rim of the cartridge. When the hammer is cocked, the cartridge simply and automatically aligns itself into proper battery.



Hammer safety slots in between cartridge chambers

By engaging the hammer in the safety slot, there is no threat of accidental discharge and the revolver can be loaded to full capacity.

WE RECOMMEND THAT YOU PRACTICE THE FOLLOWING PROCEDURE SEVERAL TIMES WITH AN UNLOADED MINI-REVOLVER.

- To engage the hammer blade into a safety slot, the hammer is retracted slowly and slightly beyond the half-cock position until the cylinder turns freely. Make absolutely certain that you have full control of the hammer and that it does not slip from your grasp, falling forward.
- Rotate the cylinder to a position where the hammer is aligned with a safety slot.
- While holding the hammer securely, ***depress the trigger*** and ease the hammer slowly forward into a safety slot. Do not depress the trigger unless and until the hammer is aligned with the safety slot. You must continue to depress the trigger until the hammer is firmly and fully seated in a safety slot.



Yes-Hammer in safety slot



No-Hammer on live cartridge

- Make certain that the hammer blade is resting securely in a safety slot and that the cylinder does not rotate.
- Closely study the photographs to identify the proper engagement of the safety slot. Take particular notice of the orientation of the chambers in the cylinder.

DANGER

This handgun may discharge if it is dropped or struck on the hammer with a live round under the hammer, or if the thumb slips while cocking or uncocking the handgun with the trigger depressed.

Do not carry this handgun with the hammer resting above a live cartridge or in the half-cock position.

To make an accidental discharge impossible, place the hammer in the safety slot immediately after loading and after finishing firing.

LOADING

(Before loading, practice the following steps by hand motions only)

- To remove the cylinder, first place hammer in the half-cock position.
- Grasp the knurled portion of the cylinder pin between the thumb and middle finger, depress the release button with the forefinger to the inward position and withdraw the pin completely. The cylinder can now be easily removed from either side of the gun.
- After loading the cylinder with five shells, reverse the above procedure to insert the cylinder, making sure the cylinder pin seats firmly against the frame for proper functioning.

AIMING

To aim your revolver, simply align the front post in the center of the notch on the rear of the frame ensuring the front post is even in height with the sides of the notch.

FIRING

To fire the revolver, draw the hammer back as far as possible, making sure that it locks in the fully cocked position before removing your thumb from the hammer.

Actual firing is done by pulling the trigger. Note that, due to the small physical size of the mini-revolver, you must ensure that neither the thumb nor any fingers impede the rotating action of the cylinder or the cocking of the hammer. Make sure the cylinder is properly rotated to the locked position each time you cock the gun.

Practice the cocking action with an empty cylinder before firing live ammunition. ***Excessive Dry Firing is to be avoided!***

UNLOADING

Follow the same procedure described for loading, and use the cylinder pin for extracting the empty cases.

MAINTENANCE

As with other fine revolvers, it is recommended that the bore and chamber be cleaned after firing and coated with a very light film of oil.

AMMUNITION

Verify and use only .22 Long Rifle ammunition in those revolver cylinders chambered for .22 Long Rifle. Your Magnum Frame gun can be fitted with a Long Rifle Conversion Cylinder chambered specifically for either LR/S rounds, which is stamped on the muzzle end “L”. For best results using Long Rifle ammunition, NAA® recommends: *Winchester, Federal or Remington brands .22 Long Rifle ammunition.*

Any .22 caliber Winchester Magnum RimFire (WMR) ammunition can be used in this Magnum mini-revolver – ***EXCEPT “PMC” & “ARMSCOR PRECISION” BRANDED .22 CALIBER AMMUNITION (Magnum and/or LR), WHICH HAS RESULTED IN OUT-OF-BATTERY DISCHARGES. WARNING! DO NOT USE ANY “PMC” or “ARMSCOR PRECISION” BRANDED AMMUNITION IN ANY NAA® Mini-Revolver!***

You are additionally cautioned NOT to use any .22 caliber Long Rifle (LR) or Short (S) ammunition in a Magnum (WMR) cylinder.

NAA® does not recommend using VARMINT ammunition (high pressure rounds) made for long-range-rifles use, may cause the casings to swell inside mini-revolver cylinders to jam or cause rotation interference.

WARNING STATEMENT! Discharging firearms in poorly ventilated areas, cleaning firearms, or handling ammunition may result in exposure to lead and other substances known to the State of California to cause birth defects, reproductive harm and other serious physical injury. Have adequate ventilation at all times. Wash hands thoroughly after exposure.

NAA® STRONGLY RECOMMENDS that all NAA® firearms be carried in an appropriate holster-even/especially when carried in a purse or pants pocket.

If you ever have any questions about the information contained in this manual or the safe operations of your NAA® firearm, please feel welcome to contact the factory for immediate and personal customer service.

NORTH AMERICAN ARMS®, INC.
2150 South 950 East • Provo, UT 84606-6285
800-821-5783 or 801-374-9990
www.NorthAmericanArms.com



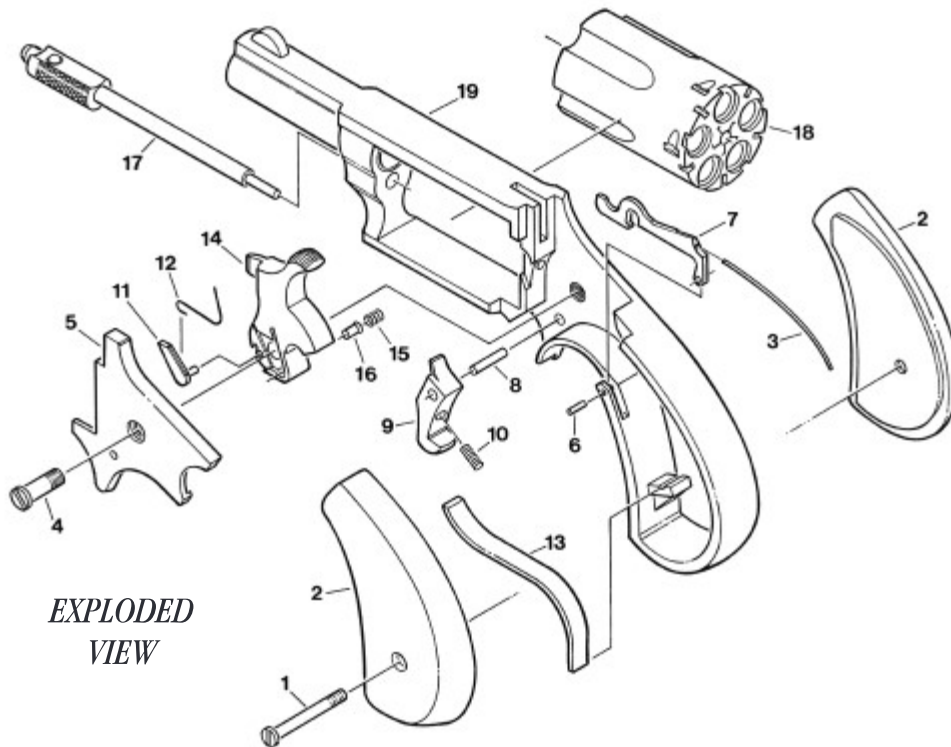
NAA. Catalog Digital

.22 Mini-Revolver's Replacement Part List

**(Requires Factory Installation)*

<table border="0" style="width: 100%;"> <tr><td style="width: 20px;">1</td><td style="width: 50px;">1510</td><td>Grip Screw</td></tr> <tr><td>2</td><td>GST-L</td><td>Wood Grip Set (LR & SH)</td></tr> <tr><td></td><td>GST-M</td><td>Wood Grip Set (Mag)</td></tr> <tr><td>3</td><td>1402</td><td>Bolt Spring (LR & SH)</td></tr> <tr><td></td><td>2402</td><td>Bolt Spring (Mag)</td></tr> <tr><td>4</td><td>1140</td><td>Main Screw</td></tr> <tr><td>5</td><td>1120</td><td>*Side Cover</td></tr> <tr><td>6</td><td>1407</td><td>Bolt Pin</td></tr> <tr><td>7</td><td>1401</td><td>Cylinder Bolt</td></tr> <tr><td>8</td><td>1404</td><td>Trigger Pin</td></tr> <tr><td>9</td><td>1403</td><td>*Trigger</td></tr> <tr><td>10</td><td>1405</td><td>Trigger Spring</td></tr> <tr><td>11</td><td>1220</td><td>*Cylinder Hand (LR & SH)</td></tr> <tr><td></td><td>2220</td><td>*Cylinder Hand (Mag)</td></tr> </table>	1	1510	Grip Screw	2	GST-L	Wood Grip Set (LR & SH)		GST-M	Wood Grip Set (Mag)	3	1402	Bolt Spring (LR & SH)		2402	Bolt Spring (Mag)	4	1140	Main Screw	5	1120	*Side Cover	6	1407	Bolt Pin	7	1401	Cylinder Bolt	8	1404	Trigger Pin	9	1403	*Trigger	10	1405	Trigger Spring	11	1220	*Cylinder Hand (LR & SH)		2220	*Cylinder Hand (Mag)	<table border="0" style="width: 100%;"> <tr><td style="width: 20px;">12</td><td style="width: 50px;">1230</td><td>Hand Spring</td></tr> <tr><td>13</td><td>1406</td><td>Mainspring</td></tr> <tr><td>14</td><td>1210</td><td>Hammer</td></tr> <tr><td>15</td><td>1250</td><td>Index Spring</td></tr> <tr><td>16</td><td>1240</td><td>*Index Pin</td></tr> <tr><td>17</td><td>0300</td><td>Cylinder Pin Asmbly (SH)</td></tr> <tr><td></td><td>1300</td><td>Cylinder Pin Asmbly (LR)</td></tr> <tr><td></td><td>2300</td><td>Cylinder Pin Asmbly (Mag)</td></tr> <tr><td>18</td><td>0400</td><td>*Cylinder (SH)</td></tr> <tr><td></td><td>1400</td><td>*Cylinder (LR)</td></tr> <tr><td></td><td>2400</td><td>*Cylinder (Mag)</td></tr> <tr><td>19</td><td>0100</td><td>Frame (Short)</td></tr> <tr><td></td><td>1100</td><td>Frame (Long Rifle)</td></tr> <tr><td></td><td>2100</td><td>Frame (Magnum)</td></tr> </table>	12	1230	Hand Spring	13	1406	Mainspring	14	1210	Hammer	15	1250	Index Spring	16	1240	*Index Pin	17	0300	Cylinder Pin Asmbly (SH)		1300	Cylinder Pin Asmbly (LR)		2300	Cylinder Pin Asmbly (Mag)	18	0400	*Cylinder (SH)		1400	*Cylinder (LR)		2400	*Cylinder (Mag)	19	0100	Frame (Short)		1100	Frame (Long Rifle)		2100	Frame (Magnum)
1	1510	Grip Screw																																																																																			
2	GST-L	Wood Grip Set (LR & SH)																																																																																			
	GST-M	Wood Grip Set (Mag)																																																																																			
3	1402	Bolt Spring (LR & SH)																																																																																			
	2402	Bolt Spring (Mag)																																																																																			
4	1140	Main Screw																																																																																			
5	1120	*Side Cover																																																																																			
6	1407	Bolt Pin																																																																																			
7	1401	Cylinder Bolt																																																																																			
8	1404	Trigger Pin																																																																																			
9	1403	*Trigger																																																																																			
10	1405	Trigger Spring																																																																																			
11	1220	*Cylinder Hand (LR & SH)																																																																																			
	2220	*Cylinder Hand (Mag)																																																																																			
12	1230	Hand Spring																																																																																			
13	1406	Mainspring																																																																																			
14	1210	Hammer																																																																																			
15	1250	Index Spring																																																																																			
16	1240	*Index Pin																																																																																			
17	0300	Cylinder Pin Asmbly (SH)																																																																																			
	1300	Cylinder Pin Asmbly (LR)																																																																																			
	2300	Cylinder Pin Asmbly (Mag)																																																																																			
18	0400	*Cylinder (SH)																																																																																			
	1400	*Cylinder (LR)																																																																																			
	2400	*Cylinder (Mag)																																																																																			
19	0100	Frame (Short)																																																																																			
	1100	Frame (Long Rifle)																																																																																			
	2100	Frame (Magnum)																																																																																			

For replacement parts pricing, check our web site at: www.NorthAmericanArms.com



⚠ WARNING: This product contains *(one or more)* chemicals including lead, known to the State of California to cause *(Cancer and)* birth defects or other reproductive harm. For more information go to www.P65Warnings.ca.gov *(Wash hands after handling).*