

P30 SERIES

OPERATOR'S MANUAL



HK[®]
HECKLER & KOCH

Covers P30, P30S, P30L, P30LS, P30SK,
P30SKS pistols (all calibers and variants)

SAFETY RULES

Please read this operator's manual before handling your firearm. The following safety rules are placed in this manual by HK as an important reminder that firearm safety is your responsibility. Firearms can be dangerous and can potentially cause serious injury, damage to property or death, if handled improperly.

1. Never point a firearm at anyone or in any direction other than a SAFE direction, i.e. down range.
2. Treat all firearms as if they are always loaded.
3. Keep your finger off the trigger and outside of the trigger guard until your sights are aligned on the target and you are ready to fire.
4. Keep your finger off the trigger and outside of the trigger guard while loading or unloading the firearm.
5. Keep your finger off the trigger and outside of the trigger guard while pulling the firearm out of the holster or while returning it to the holster.
6. Be sure of your target and the backstop beyond.
7. Never give a firearm to or take a firearm from anyone unless the action is open and the magazine and/or chamber are free of any ammunition or brass.
8. Be sure that the ammunition you are using is factory loaded, is of the correct caliber for the firearm in which it is to be used, and that it is not damaged in any way.
9. Before firing, remove the magazine from the firearm, lock the action open, make sure the chamber is clear of any ammunition or brass, and check the barrel of the **unloaded** firearm for any possible obstructions.
10. Before firing any firearm that is unfamiliar to you, make sure that you understand exactly how it functions. A lack of familiarity with the firearm can result in serious accidents. Attend a certified training course on any firearm which you intend to use or with which you are not sufficiently familiar.
11. Always wear hearing and eye protection when using your firearm.
12. Keep all body parts, especially the hands and fingers, away from the muzzle to avoid injury or burns.
13. Be sure that no part of either hand touches or interferes with the slide. The slide is moved backward by the recoil force of the pistol during firing and may cause serious injury.
14. Firearms should be locked and stored separately from ammunition and beyond the reach of children and/or any untrained individuals.
15. Avoid the use of any alcoholic beverages or drugs before or during your use of a firearm.
16. Discharging firearms in poorly ventilated areas, cleaning firearms, or handling ammunition may result in exposure to lead; a substance known to be associated with birth defects, reproductive harm and other serious injury. Have adequate ventilation at all times. Wash hands thoroughly after exposure.

STOP! Know how to clear this pistol before attempting to operate.

Clearing the Pistol - P30 Series Pistols are not considered "clear" or safe unless:

1. The magazine is removed from the pistol;
2. The slide is locked to the rear and;
3. The chamber is free of brass or ammunition.

To Clear the P30 Pistol:

1. **Make sure fingers are outside of the trigger guard and the pistol is pointed in a safe direction at all times!**
2. **Remove magazine.** Depress the magazine release lever and remove the magazine from the pistol.
3. **Open and lock slide.** While pointing the pistol in a safe direction, lock the slide open by pulling the slide rearward as you press the slide release upward. Watch for a cartridge or empty case to be ejected from the pistol.
4. **Inspect chamber.** Inspect chamber for the presence of a cartridge or empty case by:
 - Visually viewing chamber through open ejection port.
 - Physically inserting finger into chamber through ejection port to check for the presence of a cartridge or empty case.
 - Remove any cartridges or empty cases from the chamber or from within the pistol.

The P30 Pistol is now considered "Clear."

WARNING: A firearm has the capability of taking your life or the life of someone else! Be extremely careful with your firearm. An accident can occur at anytime and is almost always the result of not following basic safety rules.

P30 Series Operator's Manual

Covers P30, P30S, P30L, P30LS, P30SK, P30SKS
pistols (all calibers and variants)



HECKLER & KOCH

5675 Transport Boulevard
Columbus, Georgia 31907 USA
Tel: (706) 568-1906

USA Website: www.hk-usa.com • Email: cs@heckler-koch-us.com

© Heckler & Koch USA (Heckler & Koch Inc. and Heckler & Koch Defense Inc.) March 2021
All rights reserved, specifications and models subject to change without notice.

TABLE OF CONTENTS

Safety Precautions & Clearing	Inside Cover
Section 1 Introduction	5
Section 2 Nomenclature	7
Section 3 Specifications	10
Section 4 Function & Operation	12
Cycle of Operation	12
Safety Features	13
Section 5 Instructions for Use	15
Clearing Procedure	16
Function Check	16
Installation of Backstraps and Grip Panels	17
Ammunition	18
Filling & Emptying the Magazine	19
Loading	19
Sights and Aiming	20
Operation	21
Firing	22
Unloading	22
Selection & Use of a Holster	22
Storage & Transport	24
Section 6 Disassembly & Assembly	25
Disassembly	25
Magazine Disassembly	26
Assembly	28
Magazine Assembly	29
Section 7 Cleaning & Maintenance	30
Cleaning	30
Inspection	31
Lubrication	32
Troubleshooting Problems & Repair	33
Warranty Registration Information	34
Section 8 Lock-Out Device	34
Section 9 P30 Accessories	35
Section 10 Parts Lists and Exploded Diagrams	38
Firearms Service Record	44

SECTION 1 INTRODUCTION

The Heckler & Koch P30 Series is a modern police and security pistol design that combines function and safety. Well known ergonomic features include a special frame with interchangeable backstraps and lateral grip panels, allowing all P30 pistols to be individually adapted to any user. The P30 Series also incorporates many unique features as well as elements of many of Heckler & Koch's most successful recent pistol models including the USP and P2000 Series.

The service-sized P30 (introduced in 2008) and full-size P30L (long slide, introduced in 2009) are joined by the subcompact P30SK (introduced in 2015) for a complete line of handguns manufactured to the most exacting standards.

During their multi-year development, P30 models underwent extensive testing and were subject to a battery of trials — the most thorough testing regimen for products in the firearms industry. Heckler & Koch follows a highly structured testing program that strictly follows well-established company protocols and procedures.

Tests included NATO AC/225 and U.S. NIJ drop tests, water, dust, mud, and sand tests that duplicate the most extreme environments and harshest operational conditions in the world. Function and abuse tests included firing tens of thousands of rounds of a wide variety of international ammunition types through sample pistols. During these tests — accuracy, wear, and tolerance readings are taken to establish the capabilities, performance, and realistic service life of the P30 pistols in all environments.

Unlike some manufacturers, Heckler & Koch test fires all P30 pistols for accuracy, function, and proofing (for international and German industrial certification) before they leave the factory. This dedication to extensive testing is just one more reason Heckler & Koch firearms have earned the respect and admiration of the world's most elite military and law enforcement operators. Heckler & Koch is renowned for its "no compromise" commitment to firearms innovation and performance.

P30 Series pistols are available with multiple trigger firing modes including Heckler & Koch's enhanced double action only "Law Enforcement Modification (LEM)" as well as a conventional double action/single action mode. The double action/single action mode has a serrated decocking lever conveniently located on the rear of the frame for ambidextrous access.

Other ambidextrous controls include dual slide and magazine release levers. All P30 pistols feature an automatic hammer safety and firing pin safety. A Picatinny rail molded into the front of the frame makes mounting lights, laser aimers, or other accessories easy and convenient. An abbreviated rail is even available on P30SK subcompact models.

The P30 Series have already been adopted by several police agencies in Europe and North America. Excellent weight and balance make all the P30 series pistols naturally pointable, easy to control, and accurate to shoot. P30 and P30L are both available in 9 mm and .40 S&W, P30SK are currently in 9 mm. "S models" (P30S, P30LS, and P30SKS) have ambidextrous safeties.

Incorporating a variation of the well-proven, modified Browning link-less short recoil system of operation, P30 Series pistols are hammer-fired handguns.

Safety features abound on the P30 and include a unique side mounted drop safety for the firing pin. The frame incorporates a trigger mounted safety that prevents accidental discharge from impact if the P30 is struck or dropped, and a disconnecter ensures that

the slide must be in battery for the P30 to fire. The design of the P30 allows the operator to visually assess the status of the pistol by featuring an extractor that also functions as a loaded chamber indicator.

P30 controls are completely ambidextrous. Slide releases are present on both sides of the frame, as well as an easy-to-access ambidextrous magazine release on the rear, bottom portion of the trigger guard. Ambidextrous finger recesses, located on the bottom sides of the magazine well, allow the operator to achieve purchase on the magazine's floor plate in the unlikely event that the magazine does not drop free when the extended flanges on the magazine release are activated.

Heckler & Koch pioneered the first modern polymer framed handguns, producing both the VP70 and P9S series in the 1970s, following those designs with the USP, Mark 23 in the 1990s and P2000 Series in the early 2000s. The highest quality of advanced polymers are used on the frames of P30 pistols.

The P30's high strength polymer frame includes a unique ergonomic handgun grip design consisting of interchangeable grip panels and backstraps, as well as a dustcover with a standard Picatinny rail interface. The handgun grip design includes three changeable backstraps and six side panels—accommodating all hand sizes. Molded finger grooves in the front of the pistol's grip also instinctively position an operator's hand for optimal shooting. Only Heckler & Koch handguns have such a customized grip.

Milled from a solid block of high carbon steel and then enhanced with a corrosion resistant nitro-carburized finish, the slide on the P30 features non-radioactive luminous sights as standard that are adjustable for both windage and elevation, as well as front and rear slide serrations.

Heckler & Koch, famous for small arms construction and technology, has outfitted the P30 with a cold hammer forged barrel and a polished feed ramp. The barrel — made from canon grade steel — ensures long service life. During an independent torture test in 2010, one randomly selected P30 fired more than 90,000 rounds. The polygonal bore profile, with no traditional lands-and-grooves rifling, contributes to longer service life as well as a slight increase in muzzle velocity.

P30 pistols use a proven Heckler & Koch steel magazine design with various capacities being available.

The P30 Series pistols use a variety of Heckler & Koch proprietary recoil spring assembly designs, including captive flat recoil springs that reduce the recoil forces effecting the operator and the handgun, improving shooter control during rapid firing and prolonging component service life.

All P30 pistols are made in Heckler & Koch's Oberndorf factory in southwest Germany and are well suited for civilian sport shooting, security, military, and law enforcement use. Covered by Heckler & Koch's limited lifetime warranty, the HK P30 is a solid design engineered with the famous long-term durability that make HK products especially cost-effective when subjected to total life cycle cost analysis.

SECTION 2 NOMENCLATURE



Figure 1 — P30 (right side view)

- | | |
|------------------------|-----------------------------------|
| 1 Rear sight | 6 Trigger guard |
| 2 Slide release, right | 7 Frame |
| 3 Extractor | 8 Grip panel, right |
| 4 Barrel | 9 Serial number |
| 5 Front sight | 10 Lanyard loop (except on P30SK) |

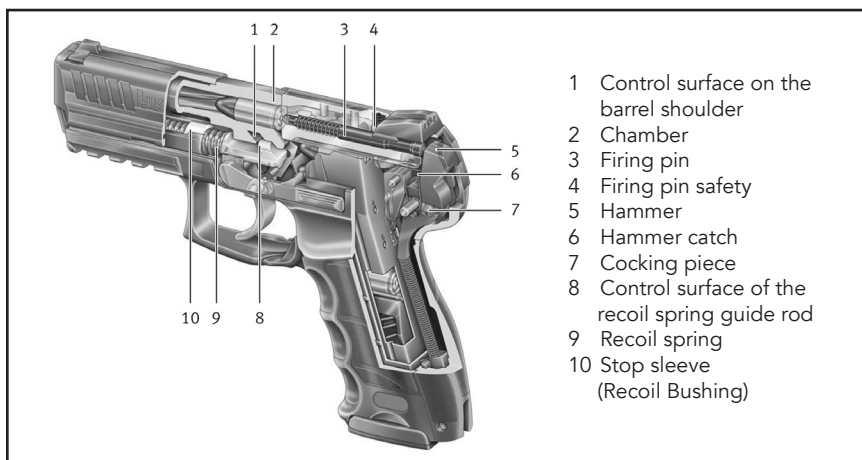


Figure 2 — P30 Cutway (left side view, P30 LEM variant shown)

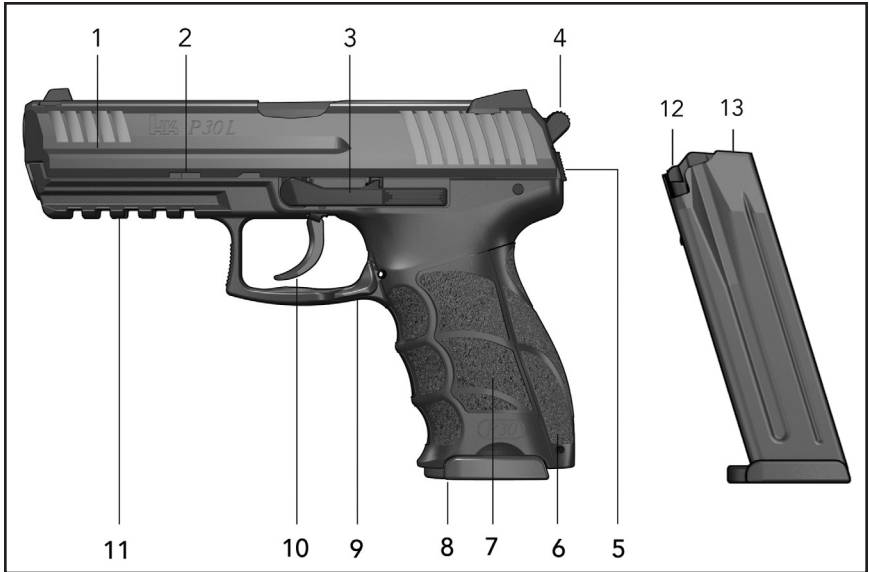


Figure 3 — P30L (left side view)

- | | |
|------------------------|--------------------|
| 1 Slide | 8 Magazine |
| 2 Disassembly notch | 9 Magazine release |
| 3 Slide release, left | 10 Trigger |
| 4 Hammer | 11 Picatinny-rail |
| 5 Decocker (Variant 3) | 12 Follower |
| 6 Backstrap | 13 Magazine lips |
| 7 Grip panel, left | |



Figure 4 — P30SK LEM, P30 LEM, P30L LEM (left side view)



Figure 5 — P30SK, P30, P30L (left side view)
V3 DA/SA with decocker on rear of frame



Figure 6 — P30SKS, P30S, L30LS (left side view)
V3 with Safety Levers shown in the “SAFE” positions

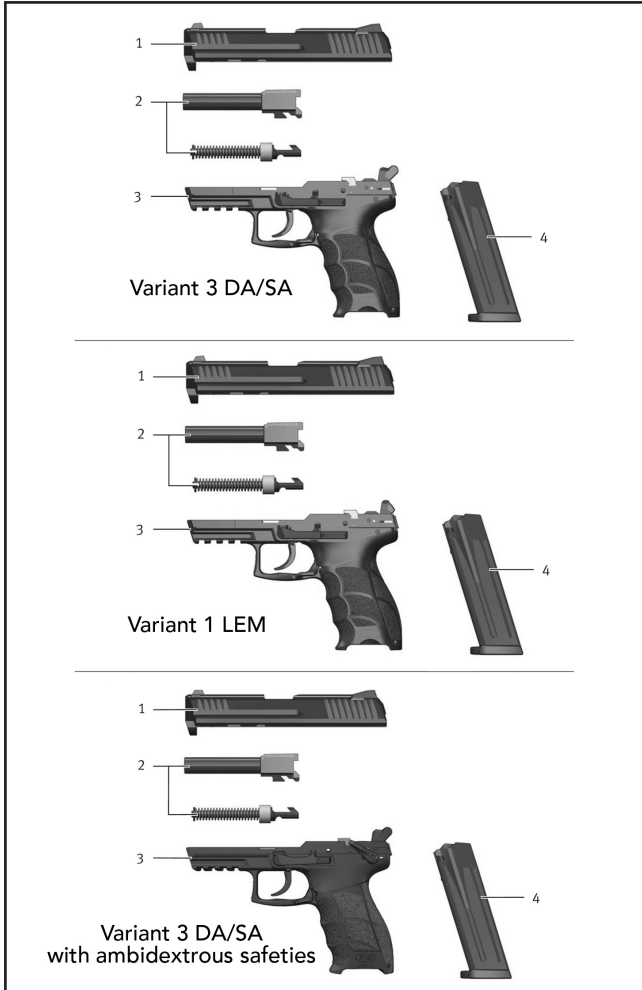


Figure 7 — P30 Assembly Groups (current variant configurations)

1 Slide
2 Barrel with recoil assembly

3 Frame
4 Magazine

SECTION 3 SPECIFICATIONS

P30

Caliber	9 mm x 19	.40 S&W
Operating Principle	Short recoil, modified	Short recoil, modified
Action Type	Browning type, linkless	Browning type, linkless
Sights	Open rectangular notch rear sight with contrast dots (not radioactive)	same as 9mm model
Total Length	181 mm (67.12 in.)	
Barrel Length	98 mm (3.86 in.)	
Barrel Profile	Six-sided polygonal	
Sight Radius	148.5 mm (5.85 in.)	
Twist Length	250 mm (9.84 in.)	
Overall Height (with magazine inserted)	138 mm (5.43 in.)	same as 9 mm model
Overall Width	34.8 mm (1.37 in.)	
Weight (with empty magazine)	739 grams (26.08 oz.)	
Weight of empty magazine	93 grams (3.28 oz.)	
Magazine Capacity	10 / 15 cartridges (9mm)	10 / 13 cartridges (.40 S&W)
Safety Features	Ambidextrous Safety Levers (P30S Variants), Decocking Lever (DA/SA V3 Variants), Disconnecter (All Variants), Firing Pin Block (All Variants), Firing Pin Spring (All Variants), Drop Safety (All Variants), Lock Out Device (All Variants)	
Variant 1 (V1)	Light trigger pull, Law Enforcement Modification (LEM) enhanced DAO	
Variant 2 (V2)	Standard trigger pull, Law Enforcement Modification (LEM) enhanced DAO	
Variant 3 (V3)	Double Action/Single Action (DA/SA) with Decocker	

P30S specifications approximately the same except for additional width (38.46 mm /1.51 in.) and weight (790 grams /27.87 oz.)

P30L

Caliber	9 mm x 19	.40 S&W
Operating Principle	Short recoil, modified	Short recoil, modified
Action Type	Browning type, linkless	Browning type, linkless
Sights	Open rectangular notch rear sight with contrast dots (not radioactive)	same as 9mm model
Total Length	196 mm (7.71 in.)	
Barrel Length	113 mm (4.45 in.)	
Barrel Profile	Six-sided polygonal	
Sight Radius	163 mm (6.42 in.)	
Twist Length	250 mm (9.84 in.)	
Overall Height (with magazine inserted)	138 mm (5.43 in.)	same as 9mm model
Overall Width	34.8 mm (1.37 in.)	
Weight (with empty magazine)	780 grams (27.52 oz.)	
Weight of empty magazine	93 grams (3.28 oz.)	
Magazine Capacity	10 / 15 cartridges (9 mm)	10 / 13 cartridges (.40 S&W)
Safety Features	Ambidextrous Safety Levers (P30LS Variants), Decocking Lever (DA/SA V3 Variants), Disconnecter (All Variants), Firing Pin Block (All Variants), Firing Pin Spring (All Variants), Drop Safety (All Variants), Lock Out Device (All Variants)	
Variant 1 (V1)	Light trigger pull, Law Enforcement Modification (LEM) enhanced DAO	
Variant 2 (V2)	Standard trigger pull, Law Enforcement Modification (LEM) enhanced DAO	
Variant 3 (V3)	Double Action/Single Action (DA/SA) with Decocker	

P30LS specifications approximately the same except for additional width (38.46 mm / 1.51 in.) and weight (830 grams /29.28 oz.)

P30SK

Caliber	9 mm x 19
Operating Principle	Short recoil, modified
Action Type	Browning type, linkless

Sights	Open rectangular notch rear sight with contrast dots (not radioactive)
Total Length	163 mm (6.42 in.)
Barrel Length	83 mm (3.27 in.)
Barrel Profile	Six-sided polygonal
Sight Radius	136 mm (5.35 in.)
Twist Length	250 mm (9.84 in.)

Overall Height (with magazine inserted)	116 mm (4.57 in.)
Overall Width	34.8 mm (1.37 in.)
Weight (with empty magazine)	680 grams (23.99 oz.)
Weight of empty magazine	82 grams (2.88 oz.)

Magazine Capacity	10 cartridges (9 mm)
Safety Features	Ambidextrous Safety Levers (P30SKS Variants), Decocking Lever (DA/SA V3 Variants), Disconnecter (All Variants), Firing Pin Block (All Variants), Firing Pin Spring (All Variants), Drop Safety (All Variants), Lock Out Device (All Variants)

Variant 1 (V1)	Light trigger pull, Law Enforcement Modification (LEM) enhanced DAO
Variant 2 (V2)	Standard trigger pull, Law Enforcement Modification (LEM) enhanced DAO
Variant 3 (V3)	Double Action/Single Action (DA/SA) with Decocker

P30SKS specifications approximately the same except for additional width (38.46 mm / 1.51 in.) and weight (708 grams 24.00 oz.)

CYCLE OF OPERATION

The cycle of operation is a reoccurring sequence of mechanical events which takes place in the operation of a self-loading firearm. The sequence for the P30 begins with a loaded magazine inserted into the magazine well with the slide locked back to the rear.

1. Feeding: Removal of a round from the magazine

Depressing either side of the ambidextrous slide release levers or pulling slightly back on the slide allows the recoil spring to expand, driving the slide forward. The feed pawl, an extrusion that is located on the bottom of the slide's firing pin tunnel, passes between the feed lips of the magazine tube, striking the top round and pushing towards the chamber. The projectile then contacts the barrel's feed ramp, allowing the base of the cartridge to pivot upwards on the slide's breech face.

2. Chambering: Placing and seating the round into the chamber of the barrel

The recoil spring continues to expand, driving the slide forward and slide positions the cartridge in the chamber. The base of the cartridge continues to pivot upwards as the slide mounted extractor engages the cartridge's extractor rim. Chambering is complete by the time the barrel starts to move when the slide comes into contact with the barrel hood and starts to push the barrel forward into battery.

3. Locking: Closing and locking of the breech mechanism prior to the shot

As the slide is moving forward, the slide's breech face contacts the extension on the back of the barrel's locking block and thus pivots the barrel upward until the stepped forward edge of the barrel locking block engages the forward edge of the ejection port. As the slide locks into position, the frame mounted disconnecter is allowed to pivot upwards into a corresponding relief cut milled on the inside of the slide thus allowing the trigger bar to access the control lever. The locking phase is complete when the barrel locking block engages the ejection port on the slide has reached it's limit of forward travel.

4. Firing: Ignition of the cartridge's primer and propellant

As the operator pulls the trigger, the trigger bar moves forward and contacts the control lever. The front of the control lever pivots upwards on the sear axle, allowing the tip of the control lever to depress the firing block on the slide. The hammer catch, mounted on side of the control lever, pivots upwards as well. The hook on the bottom of the hammer catch engages the roll pin on the bottom of the sear, thus disengaging the hammer (DA/SA variant) or cocking piece (LEM variant) from the sear and allowing the hammer strut spring to pivot the hammer (DA/SA variant) or hammer shell (LEM variant) forward with enough energy to strike the firing pin and overcome the inertia of the firing pin spring. The tip of the firing pin then contacts and pierces the primer. The primer detonates which, in turn, ignites the propellant. The projectile, separated from the cartridge case, is forced down the barrel by the expanding gases and is stabilized by the polygon rifling located inside the bore.

5. Unlocking: Removal of any blocking mechanism to allow the opening of the breech

The resultant force of the cartridge firing produces an impact on the slide and barrel, initially pushing both the slide and barrel in unison. The forward portion of the slide's ejection port that engages the barrel locking block is laser hardened to prevent damage to the slide. The slide's ejection port pushes back on the barrel locking block and after approximately 2.5 millimeters of travel, pivots the barrel downward until the barrel's angular locking surface engages the contact surface on the back of the recoil spring guide rod. As the slide moves back, the disconnecter is pushed downward, disengaging the trigger bar from the control lever and hammer and tang on the back hammer catch pivots upwards thus blocking the movement of the hammer until the trigger is pulled.

6. Extracting: Removal of the fired cartridge case or live round from the chamber

With the barrel now retained by the recoil spring guide rod, the slide continues to move towards the rear. The slide mounted extractor pulls the fired cartridge case or the live round from the chamber.

7. Ejecting: Expulsion of the fired cartridge case or live round from the firearm

The extractor engages the cartridge case's extractor rim as the barrel travels towards the rear. The extractor creates a pivot and the frame mounted ejector creates a contact point, as the slide rakes the cartridge case against the ejector, allowing the ejector to expel the cartridge case out through the ejection port.

8. Cocking: Resetting of the trigger mechanism to allow subsequent shots to be fired

The slide continues to move back towards the rear and striking the hammer. The hammer rotates on the hammer axle and pivots down on the hammer strut, thus compressing the hammer strut spring. The hammer (DA/SA variant) or the cocking piece (LEM variant) pivot until engaged by the sear. The sear then engages and cocks the hammer until the trigger is pulled.

SAFETY FEATURES — The P30 Series incorporates the following safety features:

1. Ambidextrous Safety Levers (P30S, P30LS, & P30SKS Variants)

When activated, the ambidextrous safety levers block the forward movement of the working parts and prevent the weapon from firing. When set on "safe" (Figure 8), the hammer axle, attached to the right hand safety lever, blocks the upward movement of the control lever. With the movement of the control lever blocked, the hammer catch is unable to pivot upwards and push off the roll pin mounted on the bottom of the sear. The sear is then unable to disengage from the hammer and the hammer is therefore unable to strike the firing pin. When set on "fire" (Figure 9), an angled portion of the hammer axle pivots and allows the hook on the back of the control lever to pivot upwards while simultaneously moving the hammer catch. The hammer catch disengages the roll pin at the bottom of the sear and sear separates from the hammer, allowing the hammer strut to propel the hammer upwards to strike the firing pin.

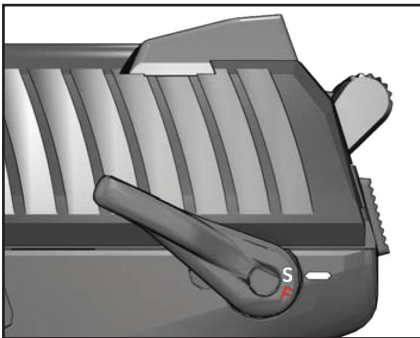


Figure 8
Safety lever on (engaged)

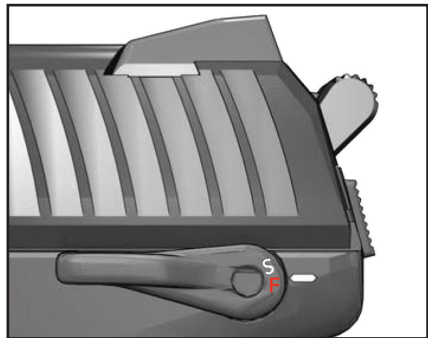


Figure 9
Safety lever in FIRE position

2. Decocking Lever (DA/SA V3 Variants)

The decocking lever allows the operator to safely reposition the hammer from the single action mode to the double action mode. The decocking lever, which extends out the back of the frame, is affixed directly to the sear. Pushing the decocking lever disengages the sear from the hammer. The hammer, upon being released from the sear, swings upward until it is blocked by the back of hammer catch.

3. Disconnecter (All Variants)

The disconnecter ensures the weapon will fire only when the slide is completely in battery. When the slide is out of battery, the solid portion of the bottom of the slide presses down on the disconnecter, overcoming the tension of the trigger bar detent and spring. The lug on the back of the trigger bar is then taken out of engagement with the control lever and hammer and precluding the weapon from firing. When the slide is completely in battery, the trigger bar detent and spring press upward on the trigger bar allowing the lug on the back of the trigger bar to engage the control lever and hammer. A relief cut, located on the bottom of the slide, allows the top of the disconnecter to pivot upwards. This action allows the trigger bar to engage and move the control lever upwards when the trigger is pulled and initiate the firing sequence.

4. Firing Pin Block (All Variants)

The firing pin block ensures that the firing pin is held stationary unless the trigger is pulled and helps prevent accidental discharge if the firearm is dropped or mishandled. When the trigger is pulled, the trigger bar moves forward. A lug on the back of the trigger bar pivots the control lever and hammer catch upwards. The tip of the catch engages the bottom of the firing pin block, located on the underneath of the slide, and overcomes the tension of the firing pin block spring. The firing pin block is pushed upwards into the slide, allowing the firing pin to be pushed forward when struck by the hammer. If the trigger is not pulled, the firing pin block spring pushes down on the firing pin block, which in turn, prevents the forward movement of the firing pin.

5. Firing Pin Spring (All Variants)

The firing pin spring is designed to ensure that the firing pin will not be able to engage the cartridge unless the trigger is pulled. The spring constantly presses upon the firing pin to help eliminate the possibility of the firing pin striking the primer when the slide goes into battery, either by chambering the first round or by subsequently shooting the firearm. Pulling the trigger releases the hammer, which swings forward with enough energy to overcome the inertia of the firing pin spring when striking the back of the firing pin.

6. Drop Safety (All Variants)

The drop safety tang on the back of the hammer catch blocks the forward movement of the hammer unless the trigger is pulled. When the trigger is pulled, the trigger bar moves forward and pivots the control lever and the hammer catch upwards. As the hammer catch pivots, the sear releases the hammer (DA/SA variants) or the cocking piece (LEM variants), allowing the hammer to swing forward and strike the back of the firing pin. As the hammer catch pivots, the tang pivots downward into a relief cut installed on the right hand side of the hammer. When the trigger is not pulled or the decocking lever is pushed forward, the tang on the hammer catch rides above the relief cut on the hammer, thus blocking the hammer from striking the firing pin.

7. Lock Out Device (All Variants)

When activated, the lock out device blocks the downward movement of the hammer strut which then precludes the forward movement of the hammer. The lock out device is mounted in the grip insert. The lock out device feature is engaged by inserting the two pronged key into the insert and rotating the gun lock clockwise. This action pivots the gun lock and blocks the downward movement of the hammer strut. With hammer strut frozen by the lock out device, the hammer is unable to cock and the trigger bar is unable to move forward. When the lock out device feature is disengaged, a channel in the gun lock allows the hammer strut to pivot downward when the slide passes over the hammer or when the trigger is pulled.

CLEARING PROCEDURE AND SAFETY CHECK**1. Point the muzzle of the pistol in a safe direction.**

Ensure the muzzle of the pistol is pointed in a safe direction and that the operator's fingers are off the trigger and outside the trigger guard.

2. Remove the magazine.

Depress either side of the ambidextrous magazine release and remove the magazine from the magazine well.

3. Open and lock the slide to the rear.

Grasping the rear of the slide, rack the slide to the rear while keeping the muzzle pointed in a safe direction. Pivot upwards on either of the ambidextrous slide release levers and lock the slide to the rear. Watch for a cartridge or empty case to be ejected out through the ejection port.

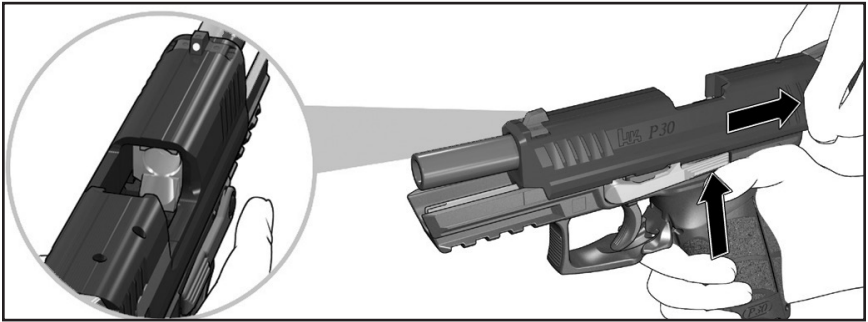


Figure 10 — Clearing the P30 Pistol

4. Inspect the chamber.

Inspect the chamber for the presence of a cartridge or empty case by:

1. Visually inspecting the chamber through the open ejection port.
2. Physically inserting a finger through the ejection port and sweeping the chamber and feed ramp area.
3. Removing any cartridges or empty cases from the chamber or from within the pistol.

5. Press the slide release downwards.

The slide snaps forwards.

6. Press decocking lever.

Only for P30 models with a decocking lever (Figure 11).

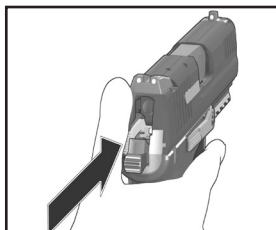


Figure 11

FUNCTION CHECK (ENSURE THE PISTOL IS CLEAR)

1. Insert empty magazine into the pistol until the magazine release engages.
2. Verify that the magazine is firmly seated.
3. Pull slide back completely. The slide release holds the slide in the open position.
4. Press the slide release downwards. The slide snaps forwards.
5. Remove magazine.
6. Press and hold trigger. The hammer is released.
7. Push hammer forward. The hammer can be pushed forward.
8. Release trigger.

For P30 models without a decocking lever

9. Move slide backwards and forwards completely several times. Only for pistols without a decocking lever (step 10.)
10. Push hammer forward. The hammer cannot be pushed forward.

For P30 models with a decocking lever

11. Press decocking lever (Figure 11).
12. Push hammer forward. The hammer cannot be pushed forward.

For P30 with ambidextrous safety levers

1. Insert empty magazine into the weapon until the magazine release engages.
2. Verify that the magazine is firmly seated.
3. Pull slide all the way back . The slide release holds the slide in the open position.
4. Press the slide release downwards. The slide snaps forwards.
5. Remove magazine.
6. Click safety lever to the "S" position.
7. Press trigger. The hammer is not released.
8. Click safety lever to the "F" position.
9. Press and hold trigger. The hammer is released.
10. Push hammer forward. The hammer can be pushed forward.
11. Release trigger.
12. Click safety lever to the "S" position.
13. Move slide backwards and forwards all the way several times.

Contact the Heckler & Koch Customer Service Department at TEL: 706-701-5554 or EMAIL:cs@heckler-koch-us.com if you encounter any problems in attempting to disassemble, assemble, and/or conduct a function check on any P30 pistol model.

INSTALLATION OF THE BACKSTRAP AND GRIP SIDE PANELS

1. Using a 2.8 mm pin punch, remove the pin (clamping sleeve) holding the backstrap in position. Choose the combination of backstrap and grip panels that provide the most comfortable fit for the operator (See Figure 12).

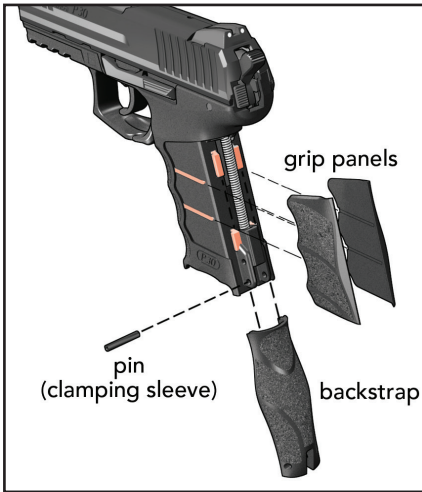


Figure 12
Installing backstrap
and grip panels

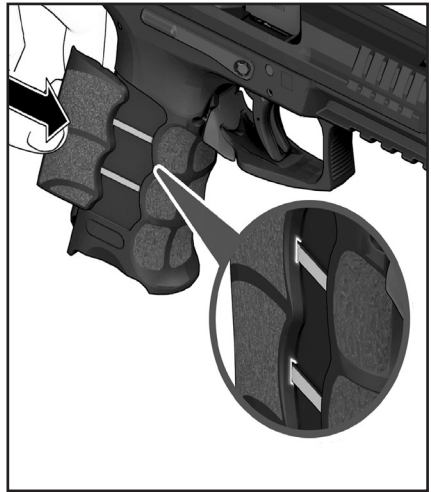


Figure 13
Push the grip panels forward
into the guide rails on the frame

2. Install the two grooves on the inside of each grip panel onto the corresponding tongues located on the outside of the frame (Figure 12 and Figure 13) and push the panels forward until they seat flush into the frame.

3. Seat the backstrap on to the back of the frame and push upwards until the mounting surface for the pin/clamping sleeve on the backstrap aligns with the mounting surface for the pin/clamping sleeve on the frame.

4. Drift the pin/clamping sleeve into position and capture the backstrap to the frame using the pin punch.



Figure 14 — Backstraps and grip panels (P30SKS model shown)

AMMUNITION

WARNING: HK specifically disclaims any responsibilities for any damage or injury that should occur because of, or as a result of, the use of faulty, remanufactured, or reloaded (hand loaded) ammunition, or of cartridges other than those for which the pistol was originally chambered for.

The HK P30 pistol is designed to fire quality, factory-loaded ammunition, loaded to NATO or SAAMI (Sporting Arms and Ammunition Manufacturers' Institute) specifications for use specifically in handguns.

The following guidelines should be considered when selecting the correct ammunition for your pistol:

1. Be sure the ammunition you have chosen is compatible with your pistol-proper caliber, cartridge, bullet weight, etc. Caliber markings on the P30 pistol appear on the left side of the slide and on the barrel locking block, visible through the ejection port on the right side of the slide.
2. Prior to loading the magazine and chamber, carefully inspect all cartridges for the following abnormalities:
 - Cracked, split, dirty or corroded cases
 - Improperly seated projectiles and/or primers
 - Damaged projectiles.
3. Do not attempt to fire a cartridge in which the projectile has been forced back into the case. Upon firing, this condition may result in increased chamber pressure above safe limits.
4. Do not fire ammunition through a pistol that:
 - Is foreign and/or outdated military surplus
 - Is assembled with corrosive primer and/or propellant
 - Is exposed to oil, grease, water or direct sunlight. If possible, remove contaminants before use and cool down ammunition exposed to direct sunlight or heat. (Exposure to sources of heat could raise the chamber pressure of the cartridge above safe limits.)
 - Is loaded specifically for use in submachine guns.

CAUTION: HK firearms are designed to function with quality, manufactured brass-cased ammunition. Use of steel or aluminum-cased cartridges is not recommended and could adversely affect safe and reliable functioning. Use of cast-lead bullets is also not recommended.

NOTE: HK handguns are safe for use with new, high-quality U.S. factory ammunition manufactured to SAAMI specifications. For further information go to www.saami.org or contact the manufacture of your ammunition directly.

FILLING AND EMPTYING THE MAGAZINE

NOTE: Do not attempt to load more than the prescribed number of cartridges into the magazine. Do not alter the shape of the magazine housing, follower or spring. To do so may cause stoppages or the magazine may not seat properly in the pistol.

Filling the Magazine

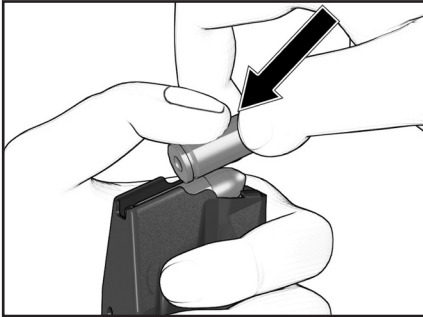


Figure 15 — Loading the magazine

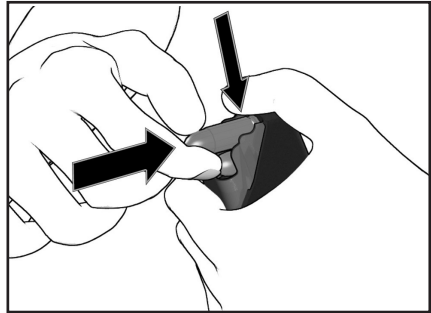


Figure 16 — Loading the magazine
(with magazine loader)

1. Hold the magazine in the non-firing hand with the back side of the magazine resting against the palm.
2. Using the firing hand, hold a cartridge between the index finger and thumb with the projectile facing the palm.
3. Press the rim of the cartridge down against the forward edge of the magazine follower or on the top cartridge already in the magazine.
4. Slide the cartridge back into the magazine under the feed lips.
5. Repeat steps 1-4 until the magazine is full. The viewing holes in the back of the magazine allow the operator to confirm the number of cartridges present within the magazine.

Emptying the Magazine - Exert pressure with a finger on the base of the cartridge and push each cartridge forward out of the magazine one at a time until the magazine is empty.

LOADING

WARNING: Forcefully inserting a loaded magazine into many pistols may cause the pistol's slide to close, chambering a cartridge and making the pistol ready to fire. When inserting a magazine, always be sure the P30 pistol is pointed in a safe direction with your fingers off the trigger and outside the trigger guard. Failure to do so could cause you to unintentionally fire the pistol, resulting in serious injury or death.

Administrative Loading - Used to initially load the pistol before it is to be fired.

Slide rearward or forward, chamber empty.

1. Make sure fingers are outside of the trigger guard and the pistol is pointed in a safe direction at all times!
2. Insert magazine - Insert the magazine firmly into the frame. Tug on the magazine to insure that it is fully seated and engaged.

3. Chamber a cartridge - Chamber a cartridge by depressing the slide release or by pulling the slide fully to the rear and releasing it. Do not ride the slide forward!

SIGHTS AND AIMING

P30 Series pistols are equipped with a three dot sighting system, similar to those pioneered by Heckler & Koch on the P7 Series pistol in the 1970s. The sights are adjustable for both windage (by drifting) and elevation (by replacement of the front sight). Sights are installed and aligned by HK technicians at the factory. It is recommended that only an HK certified armorer should adjust or replace the P30 sights (Figure 17 & 18). Figure 19 shows common sight errors. Figure 20 shows correct sight alignment.

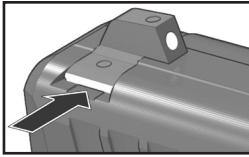


Figure 17 — Adjusting front sight by lateral shifting

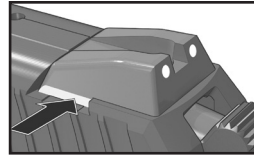


Figure 18 — Adjusting rear sight by lateral shifting

NOTE: The P30 is test fired for accuracy by ensuring the point of aim equals point of impact at 25 meters. Individual results concerning accuracy and/or shot placement are affected by such factors as stance, grip, ammunition, and engagement range.

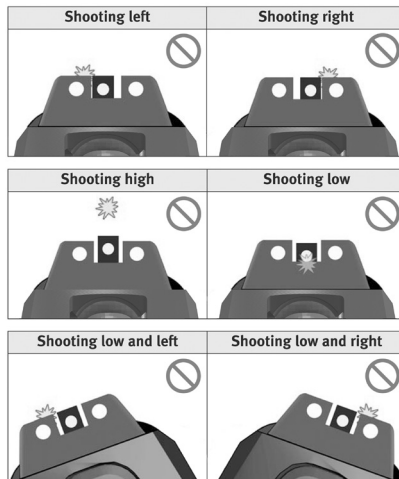


Figure 19 — Common sight alignment errors



Figure 20 — Correct sight alignment

OPERATION

WARNING Chamber a round only immediately before firing. A weapon with a round in the chamber is always a potential source of danger and poses a risk of injury or death from accidental discharge! Unload the weapon immediately after firing.

1. Insert filled magazine into the weapon until the magazine release engages.
2. Pull slide back completely and let it snap forwards. A round is chambered and the weapon is ready to fire.

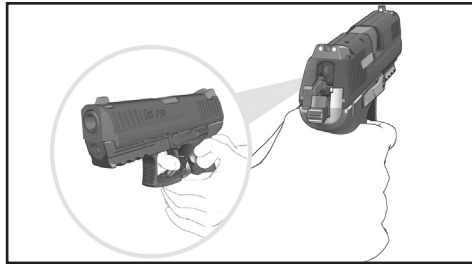


Figure 21 — Two-handed grip

After a round is chambered the pistol is:

- partially cocked: LEM variants
- cocked: DA/SA variants

FIRING

WARNING

1. Be sure of your target and what's behind it! A bullet from a pistol travels as far as a mile. It can easily penetrate wood or plasterboard walls or even a car door.
2. Be sure that your hands and all parts of your body are kept away from the muzzle of your pistol at all times!
3. Always wear eye and ear protection when firing the pistol.

1. Acquire the proper sight alignment and sight picture (see Figure 20).
2. Control breathing.
3. Gradually squeeze the trigger straight to the rear while attempting to avoid disruption to the sight picture and alignment.
4. Practice good follow-through techniques by maintaining proper sight picture and trigger squeeze until after the firearm has discharged.

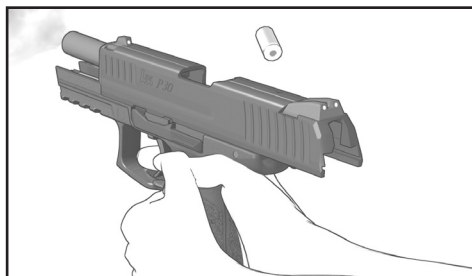


Figure 22 — Two-handed grip

TRIGGER VARIANTS

P30 Series pistols with a Law Enforcement Modification (LEM) enhanced Double Action Only trigger mode (V1 and V2) are partially cocked after a round is chambered or after a round is fired. This results in a constant light trigger pull (Figure 23).

P30 models with the Double Action/Single Action (DA/SA) trigger mode (Figure 24), are cocked after a round is chambered or after a round is fired. This results in a light trigger pull. If a cocked pistol is decocked using the decocking lever, the trigger pull becomes heavier, because the weapon has to be fired in Double Action mode on the next round. Alternatively the weapon can also be cocked again manually.

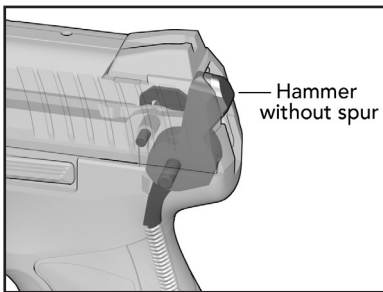


Figure 23 — LEM firing mode

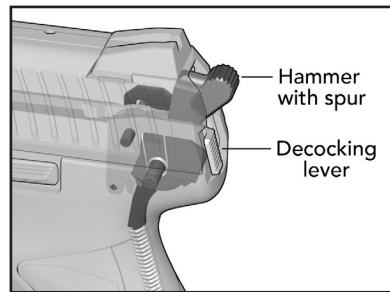


Figure 24 — V3 DA/SA firing mode

UNLOADING

The slide on the P30 is locked back after the last round is fed from the magazine by the spring loaded magazine follower engaging a tab located on the inside of the left hand side release lever. As the slide release lever is pivoted upwards, the back of the lever engages a cut-out on the bottom of the slide and locks the slide to the rear.

The magazine can then be removed by depressing either side of the ambidextrous magazine release and both a visual and a physical inspection can be performed on the chamber/feed ramp area.

In the event that the operator wishes to cease firing and unload the firearm before the last round in the magazine is fired then the standard clearing procedure for the P30 is recommended:

1. Point the muzzle of the P30 in a safe direction with the operator's fingers off the trigger and outside the trigger guard.
2. Remove the magazine by depressing either side of the ambidextrous magazine release and remove the magazine from the firearm.
3. Rack and lock the slide to the rear by pressing upwards on either or both of the ambidextrous slide release levers and the slide is pulled back towards the rear (see Figure 25).
4. Perform both a physical and visual inspection of the chamber/feed ramp area and remove any live rounds or fired cartridge cases if applicable.
5. To unload the magazine, push cartridges forwards out of magazine feed lips into your hand. Take care not to impact the cartridge primer and prevent cartridges from falling (see Figure 26).

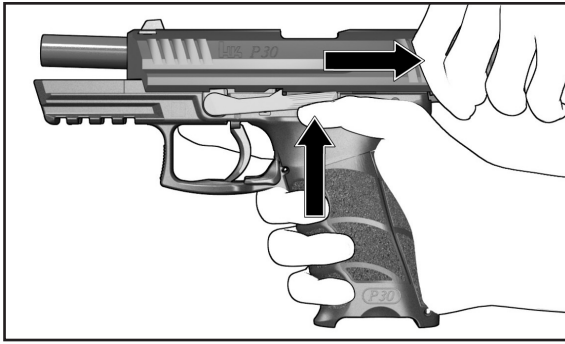


Figure 25 — Unloading



Figure 26 — Unloading magazine

SELECTION AND USE OF A HOLSTER

Selection - When selecting a carrying holster for the P30 pistol, it is important to consider the following points:

1. The holster must not make contact with or actuate any of the operating controls. This includes the slide release, magazine release lever, and most importantly the trigger. The design of the holster must also not actuate these controls when the pistol is carried in, drawn from or returned to the holster.
2. The holster should not cause the slide to move (unlock) when the pistol is returned to the holster.
3. Accommodations must be provided in the holster for any accessories that might be present on the pistol.
4. Choose a holster designed specifically for a P30 pistol. A list of manufacturers that make holsters for a variety of HK pistols is available at us.hkwebshop.com

Returning the pistol to the holster - The P30 pistol must be made "Safe" (or cleared) prior to returning it to the holster. The pistol is considered safe to return it to the holster when:

1. All fingers are off of the trigger and out of the trigger guard.
2. The pistol is "clear."

WARNING: The pistol must never be returned to the holster unless the above procedures have been followed or injury or death could occur.

STORAGE AND TRANSPORT

1. Store or transport the pistol and its components clean and lubricated.
2. Store and transport the pistol without cartridges in the chamber, magazine or in the storage container.
3. Store and transport the pistol with the slide forward and the hammer down (uncocked).
4. Clean and lubricate the pistol and its components at least every twelve (12) months during storage.
5. Store the pistol and its components in a clean, dry, dust-free environment with regulated temperature controls.
6. Store the pistol and ammunition separately under lock and key.

DISASSEMBLY

1. Clear the P30 and carry out a safety check.
2. With the magazine removed, pull the slide (A) all the way back and hold it there (see Figure 27).
3. Push the slide release (B) upwards to lock slide back.

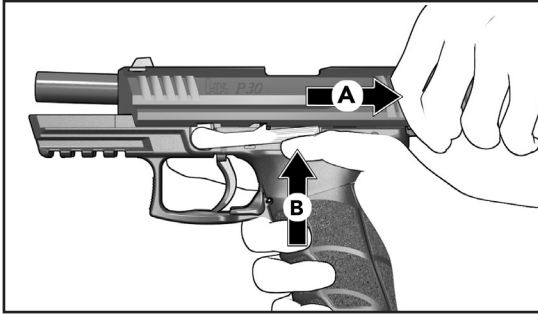


Figure 27 — Pull the slide back and lock it

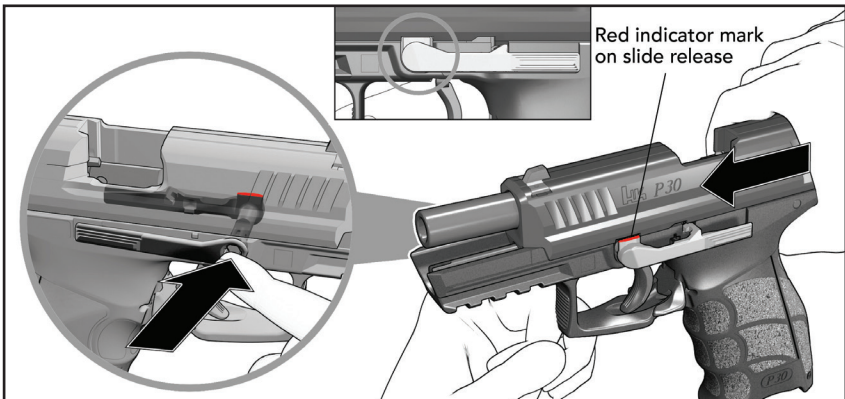


Figure 28— Removing slide from frame by pushing it forward

4. Hold the pistol so that your thumb covers the rear of the frame and your fingers rest on the top of the frame.
5. Pull slide back and move it to the front as far as the disassembly position (Figure 28).
6. Using your free hand, press the slide release axle in from right to left (Figure 28).
7. Pull slide release to the left until it reaches the locking position, pull slide forward off the pistol's frame (Figure 29).
8. Turn the slide upside down and carefully push the recoil spring forward and out to either the left or right hand side, separating the recoil spring from the barrel and slide (see Figure 30).

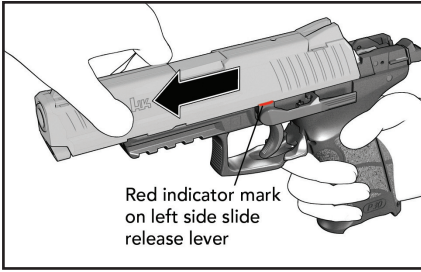


Figure 29 — Removing the slide

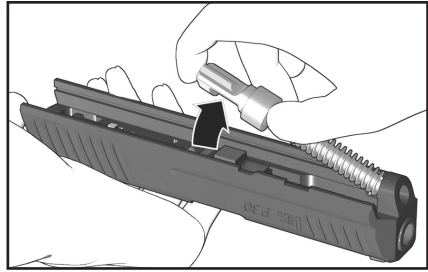


Figure 30 — Removing the recoil spring

- Pivot the barrel slightly forward and press downward on the barrel locking block through the ejection port, separating the barrel from the slide.

MAGAZINE DISASSEMBLY

NOTE: P30 pistols use readily available steel HK "P30 type" magazines (also used in HK VP pistols), either 15, 13, or 10-round capacity (standard magazine housing). P30SK models use smaller housing magazines but can also be used with the larger capacity magazines, i.e. with the magazine extending below the grip frame.

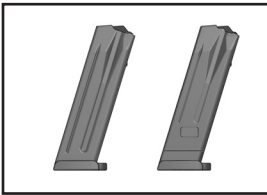


Figure 31
15-round and
10-round magazines

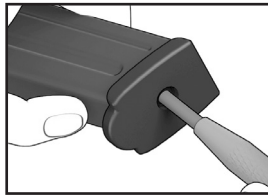


Figure 32
Depressing locking
detent in floorplate

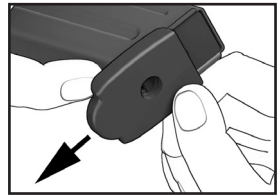


Figure 33
Slide the floorplate
forward

CAUTION: Beware of the spring tension exerted by the magazine spring while removing and installing the magazine floorplate. Keep the base of the magazine pointed in a safe direction (away from the face and eyes) at all times during disassembly and reassembly and wear eye protection.

Disassembly of high-capacity magazines

- Using a blunt, pointed instrument, depress the locking detent located in the floorplate and hold it there (see Figure 32).
- Place a portion of either hand over the base of the magazine to control the release of the magazine spring and locking plate.
- Slowly slide the floorplate forward off of the magazine housing (see Figure 33).
- Gradually allow the locking plate and magazine spring to expand out of the magazine housing (see Figure 34).
- Remove the locking plate, magazine spring and magazine follower from the magazine housing.

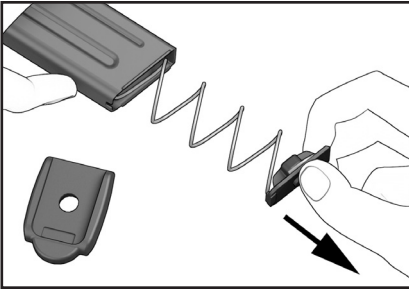


Figure 34
Removing locking plate and spring

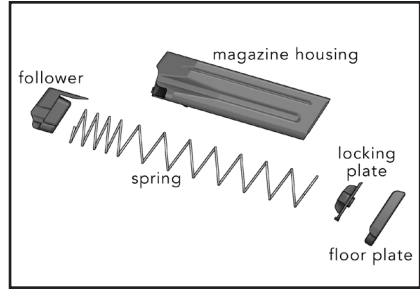


Figure 35
15-round magazine components

Disassembly of 10-round magazines:

1. Using a blunt, pointed instrument, depress the locking insert detent located in the floor plate and hold it there (see Figure 36).
2. Place a portion of either hand over the base of the magazine to control the release of the magazine spring and locking insert.
3. With the locking insert detent still depressed, squeeze the floor plate locking tabs located on the right and left sides of the magazine (see Figure 37).

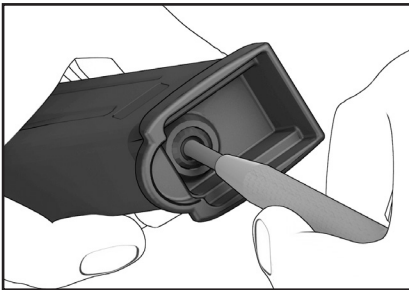


Figure 36
Depress locking insert detent

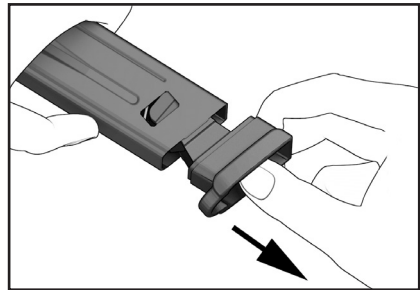


Figure 37
Releasing magazine components

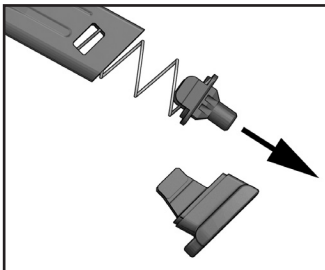


Figure 38
Removing locking insert and spring

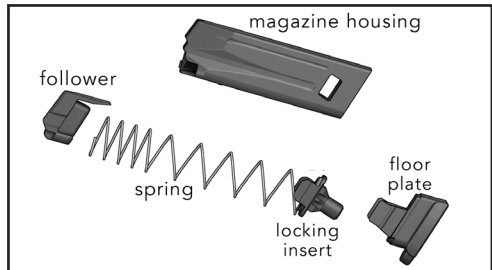


Figure 39
10-round magazine components

4. Gradually allow the locking insert and magazine spring to expand out of the magazine housing (see Figure 38).
5. Remove the locking insert, magazine spring and magazine follower from the magazine housing. Figure 39 shows all the magazine components for 10-round magazines.

ASSEMBLY

1. Turn the slide upside down and place the barrel into the slide with the barrel's angular locking surface facing upwards.
2. Pivot the barrel back towards the rear until the barrel's locking block snaps into the slide's ejection port.
3. Push the front end of the recoil spring guide rod through the hole in the front side of the slide against the pressure of the recoil spring.
4. Push the recoil spring forward into position, compressing the recoil spring, then pivot the back of the recoil spring guide rod on to the stepped mounting surface located on the front of the barrel locking lug (see Figure 40). Ensure the front of the recoil spring is facing forward in the slide.

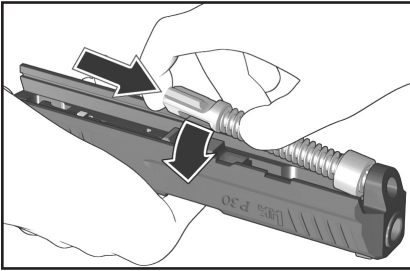


Figure 40 — Reassembling the recoil spring onto the barrel and side

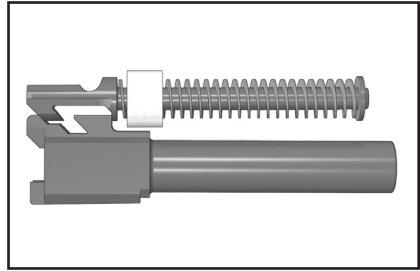


Figure 41 — Relationship of barrel to recoil spring assembly

5. Ensure that no magazine is present in the magazine well.
6. Mount the slide onto the frame, ensuring that the recoil spring is centered underneath the barrel, and that the rails on the frame are inserted into the grooves on the bottom of the slide (see Figure 42).

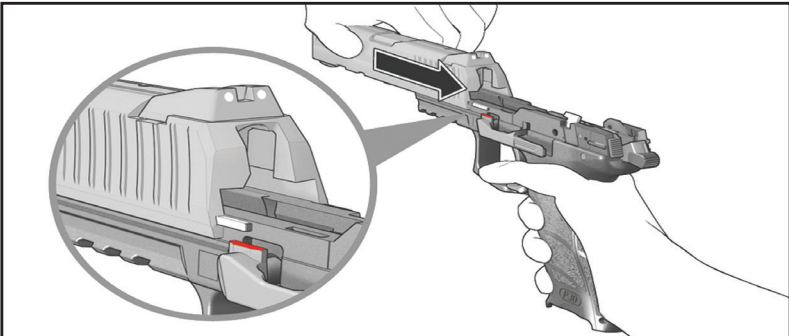


Figure 42 — Mounting the slide on the frame

7. Pull slide back as far as the disassembly (notch) position and hold it there.
8. Press slide release into the frame from the left.
9. Carry on a FUNCTION CHECK (page 15).

NOTE: It is essential that a function check be performed on the P30 after reassembly to ensure that the firearm's components have been correctly installed. See page 15.

MAGAZINE ASSEMBLY

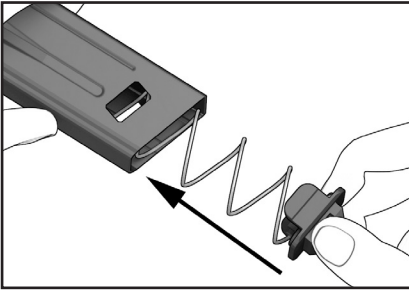


Figure 43

Insert the follower, spring, and locking insert

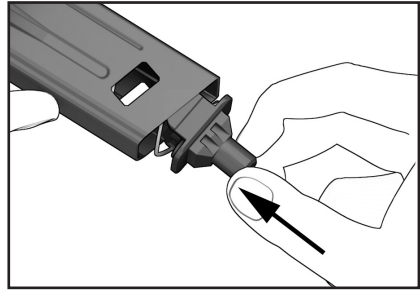


Figure 44

Push the locking insert above the cutouts

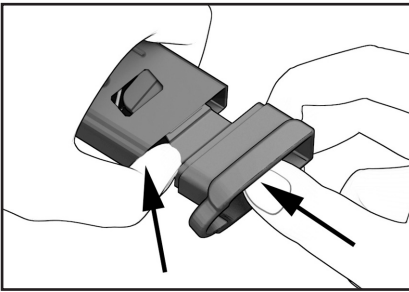


Figure 45

Insert the floorplate into the magazine housing

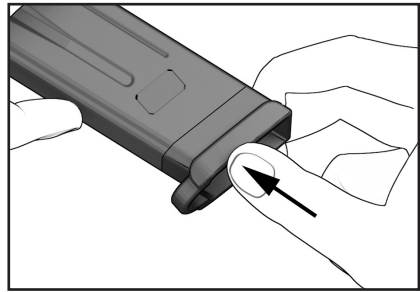


Figure 46

Ensure the tabs on the floorplate seat onto the cutouts

1. Place the magazine follower onto the magazine spring with the end of the spring positioned on the left of the follower.
2. Insert the follower and magazine spring into the magazine housing as depicted in Figure 43.
3. Place the locking plate (locking insert) onto the protruding end of the magazine spring so that the rounded corners face toward the front of the magazine.
4. Push the locking plate into the magazine housing against the pressure of the magazine spring and hold it there. (Figure 44)
5. On 10-round magazines, push the floorplate up onto the base of the magazine housing until the locking tabs engage in the sides of the housing. (Figure 45)
6. Check to see if the locking tabs on the floorplate are securely locked into the housing and the locking detent on the locking plate fits within the hole in the floorplate. (Figure 46)

On all magazines, check the magazine for proper assembly by insuring that the follower slides up and down freely within the magazine housing and with spring tension. Also check that the magazine follower rises within the magazine housing to be nearly flush against the bottom of the magazine feed lips.

CLEANING

NOTE: The service life and performance of your HK P30 pistol is dependent upon the correct handling and proper care by the operator.

Materials Required - At a minimum, we suggest the following materials to properly clean the P30:

- Cleaning rod with handle and patch holder
- Nylon toothbrush
- Bronze bristle bore brush (in the appropriate caliber)
- Cleaning patches (in the appropriate caliber)
- Lint-free wiping rag
- Cleaning solvent/lubricant
- Cotton swabs

CAUTION: Use safety goggles when using solvents and exercise care if using compressed air.

Handgun cleaning kits are available from HK for thorough cleaning of pistols and other firearms. Visit the HK-USA webshop or contact HK Customer Service.

Cleaning Intervals - Normal and Major are the two types of operator cleaning for the P30 pistol.

Normal Cleaning - Performed after each firing or every twelve (12) months.

Major Cleaning - Often referred to as "detailed cleaning." Performed after the firing of 500 cartridges or when the pistol is exposed to, or laden throughout, with sand, dust, water (especially salt water) or other visible contaminants or foreign matter.

Normal Cleaning

CAUTION: Do not use a stainless steel bore brush which can scratch the polygonal bore and reduce accuracy.

Slide -

- Gently scrub all internal surfaces of the slide using the nylon toothbrush moistened with solvent.
- Remove all loose fouling from all surfaces of the slide using a rag and cotton swabs.

Recoil spring assembly -

- Remove all visible fouling using solvent, a nylon toothbrush or a rag and cotton swabs.

Barrel (with locking block) -

- Moisten a bronze bore brush with solvent and scrub the bore from chamber to muzzle at least six (6) passes, back and forth.
- Remove the loose fouling from the bore using cleaning patches.
- Gently scrub the exterior of the barrel and locking block with the nylon toothbrush moistened with solvent.
- Remove all loose fouling from the exterior of the barrel using a rag and cotton swabs.

Frame -

- Gently scrub all internal surfaces where carbon fouling is present using the nylon toothbrush moistened with solvent. Concentrate on the area normally covered by the slide.
- Using a rag and cotton swabs, remove all loose fouling from all areas of the frame.

Magazine -

- Gently scrub the top of the magazine, concentrating on the follower and feed lips, using the nylon toothbrush moistened with solvent.
- Using a rag and cotton swabs, remove all loose fouling from all surfaces of the magazine.

Major Cleaning - Major Cleaning is the same as normal cleaning except that:

- The magazine is disassembled for cleaning.
- All parts should be rinsed with or immersed in solvent and thoroughly scrubbed with a nylon brush. The parts can then be dried using compressed air or with a rag and cotton swabs.

NOTE: All parts of the P30 pistols can be immersed in any cleaning solvent that is safe to put your hands into, including ultrasonic cleaning solution. Use of ultrasonic cleaning machines can result in the unwanted removal of colored reference markings of the frame, extractor and control lever (where applicable). Use of ultrasonic cleaning is normally not necessary or recommended when using standard ammunition in HK pistols with less than 10,000 rounds of service. All components should be thoroughly dried after being immersed in solvents of any kind before reassembly and all of the firearm's critical components should be lubricated in accordance with the applicable operator/maintenance instructions after being thoroughly dried. For special cleaning recommendations under extreme conditions, please contact HK Customer Service at 706-701-5554.

INSPECTION

During and after cleaning, visually inspect the pistol and its components for any irregularities that may cause problems or stoppages during operation. Generally, you should keep a watchful eye out for the discrepancies listed below.

Always clear the pistol before conducting your inspection!

Check for:

- Damaged or missing parts
- Improper assembly or function
- Absence of free movement, where applicable
- Absence of spring tension, where applicable
- Unaccustomed looseness
- Parts exhibiting signs of cracks, burrs, dents or obvious signs of damage or stress
- Presence of stops or tactile clicks, where applicable
- General overall cleanliness
- Presence of sufficient lubrication
- Presence of corrosion or degradation of surface finish.

CAUTION: HK pistol designs represent an optimization of a combination of safety, speed of deployment, accuracy, dependability, and durability. Do not attempt to make an HK pistol "better" by altering any of its components. Altering any part of the pistol or magazine may cause injury or death and will also void any HK warranty on the product.

LUBRICATION



Figure 47 — Lubrications Points (in red)

Metal surfaces of the P30 pistol are treated with HK's special corrosion and wear-resistant finish. This surface treatment does not completely reduce the friction between moving parts and it is recommended that a lubricant be applied to the pistol to ensure proper functioning. Any type of high-quality, medium-weight lubricant (oil) specifically designed for use on firearms will work well on the P30. Do not use lubricants that boast of their ability to penetrate metal as these substances may deaden primers. Figure 47 shows areas on the pistol requiring particular attention to lubrication.

Where and How Much -

No Lube - Surface is dry and not slippery to the touch.

- All plastic and rubber components
- Ammunition
- Optronics (lights and aimers)

Light Lube - A finger run across the surface yields little or no lube.

- Bore, chamber and exterior of barrel
- All metal parts
- All internal parts in slide and frame
- Magazine spring
- Recoil spring assembly
- Metal magazine housing, where applicable

Medium Lube - A finger run across the surface yields some lube, but lube does not run down surface when it is held in a vertical position.

- Barrel locking block
- Slide rails and grooves
- All operating controls
- Locking insert and guiding part in frame
- Extractor

Heavy Lube - Lubrication runs down the surface when it is held in a vertical position.

No heavy lube is required on the P30 pistols.

Re-apply lubricant periodically during firing as it burns off from the heat. Apply lubricant using a clean shaving brush, cotton swabs, patches or rag. A spray bottle of lubricant also works well when using compressed air to circulate the lubricant into all parts and to remove the excess from the pistol.

TROUBLESHOOTING PROBLEMS AND REPAIR

Common causes of problems that are often overlooked include:

- Fouled or improperly lubricated pistol
- Bad ammunition
- Damaged magazines
- Operator error

If your P30 pistol still fails to function, please contact HK Customer Service at 706-568-1906 for the name and address of your nearest HK Authorized Repair Facility. Law enforcement users, contact your unit armorer or HK Customer Service.

NOTE: If after reviewing this manual you still have questions, please contact HK Customer Service at 706-568-1906 or by email: cs@heckler-koch-us.com.

WARRANTY REGISTRATION

New HK firearms are covered by Heckler & Koch's Limited Lifetime Warranty. Warranty registration is now on-line. To register your new HK firearm go to:

<http://hk-usa.com/warranty/register.html>

If you don't have access to the internet, contact HK Customer Service, 5675 Transport Boulevard, Columbus, Georgia 31907, TEL: 706-701-5554, EMAIL: cs@heckler-koch-us.com to obtain a warranty registration form by mail.

SECTION 8 LOCK-OUT DEVICE

P30 Series pistols are equipped with a patented HK Lock-Out™ device. This component is located inside the magazine well, in the bottom of the frame, and when engaged, locks the handgun's action by blocking any movement of the trigger, the hammer and the slide. The handgun is locked and cannot fire until unlocked. The Lock-Out control plate is accessible through the pistol's magazine well (see Figure 48).

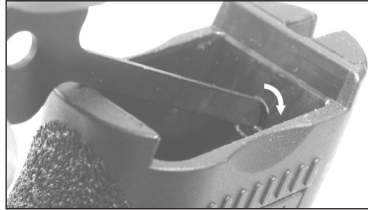


Figure 48

Turning the key clockwise 1/4 turn locks the action, turning it counter-clockwise unlocks the action.

Clear the pistol and dry fire it prior to activating the Lock-Out device. Use the two pronged key supplied with the pistol to lock or unlock the pistol as desired. When the holes on the Lock-Out device are horizontally positioned, the pistol is locked and cannot be fired (see Figure 49).

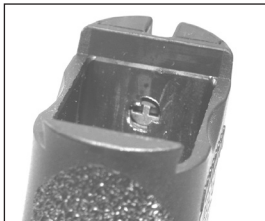


Figure 49

Locked position



Figure 50

Unlocked/fire position

When the holes on the Lock-Out device are vertically positioned, the pistol is unlocked and can be fired (see Figure 50).

WARNING: The HK Lock-Out device is not a substitute for safe gun handling practices. Never point the muzzle of the pistol in an unsafe direction (at yourself or others). When the Lock-Out device is placed in the locked position, the slide is locked in the closed position and cannot be moved! Forcing the slide rearward while the gun is in this locked position will damage the pistol.

For more information contact HK Customer Service.

NOTE: If after reviewing this manual you still have questions, please contact HK Customer Service at 706-701-5554 or by email: cs@heckler-koch-us.com.

RAIL MOUNTED ACCESSORIES

All P30, P30L, and P30SK models have MIL-STD-1913 (Picatinny) rails molded into the front, lower portion of their frame (dust cover). This rail allows the operator to mount a wide variety of lights, lasers aimers, and additional accessories to the handgun by means of the simple and proven Picatinny interface system (see Figure 51, 52, 53).



Figure 51 — Accessory weapon light mounted on P30



Figure 52 — Accessory weapon light mounted on P30SK

To avoid damage to the accessory and the pistol, carefully follow the instructions of the manufacturer for installing, operating, and removing accessories from the mounting rails. Always ensure the P30 pistol is “clear” and unloaded before installing or removing accessories.

NOTE: Weight of any frame (dust cover) mounted accessories should not exceed 5.64 ounces (160 grams) to ensure reliable function.

Most lights, laser aimers, and similar accessories are installed by sliding them onto the front of the rail system while depressing a locking mechanism or clipping them on from the bottom. Again, follow the installation instructions of the accessory manufacturer. If encountering difficulty, please contact HK Customer Service at 706-701-5554 to avoid damage to the pistol or the accessory.

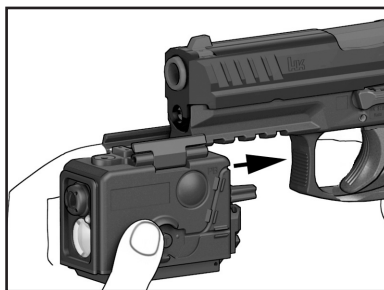
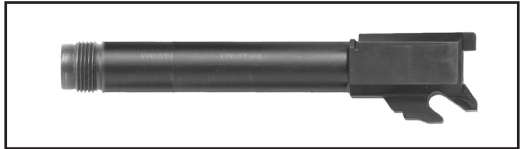


Figure 53 — Installing accessory onto the rails

CAUTION: Improperly designed or installed accessories may result in damage to the mounting grooves and/or the pistol. Such damage is not covered under warranty. Be certain to use only HK approved accessories and follow installation and precautions carefully.

Threaded barrels (9 mm only) are available for the service-sized 9 mm P30 and 9 mm long slide P30L.. They can be easily installed in P30, P30S, P30L, and P30LS models. These barrels will not fit P30SK models.



*Figure 54
P30 threaded barrel (HK ID# 234391)
P30L threaded barrel is HK ID# 229792*

MAGAZINE LOADER AND OTHER ACCESSORIES

An HK pistol magazine loader is also available as an accessory. The magazine loader (HK article number 217 830) makes loading of all P30 magazines easier and more convenient. Different capacity P30 magazines are also available, as are various sights, including tritium night sights.



Figure 55— HK magazine loader for the P30

HOLSTERS

Several major holster manufacturers make holsters and magazine carry pouches especially for HK P30 Series pistols. Contact the holster manufacturers for specific information on the style, model, and pricing of P30 holsters.

A partial list of holster manufacturers that make models that accommodate P30 Series pistols follows and is available on the HK-USA webshop us.hkwebshop.com

Aker International, Inc.
2248 Main St., Suite 6
Chula Vista, Ca 91911
(619) 423-5182 or (800) 645-2537
www.akerleather.com

Blackhawk
6160 Commander Parkway
Norfolk, VA 23502
(757) 436-3101
www.blackhawk.com

Blade-Tech Industries
5530 184th St E, Suite A
Puyallup, WA 98375
(253) 655-8059
www.blade-tech.com

Bianchi
3120 E. Mission Blvd.
Ontario, CA 91761
(909) 923-7300 or (800) 347-1200
www.bianchi-intl.com

Brigade GunLeather
33301 Osawatomie Rd
Osawatomie, KS 66064
(913)755-3139
www.brigadegunleather.com

Comp-Tac
P.O. Box 1809
Spring, Texas 77383-1809
(281) 209-3040
www.comp-tac.com

DeSantis Holster & Leather Goods Co.
431 Bayview Avenue
Amityville, NY 11701
(631) 841-6300 or (800) 424-1236
www.desantisholster.com

Don Hume Leathergoods
500 26th Street NW
Miami, OK 74354
(918) 542-6604 or (800) 331-2686
www.donhume.com

Eagle Industries
1000 Biltmore Drive
Fenton, MO 63026
(888) 343-7547
www.eagleindustries.com

Fobus Holsters and Pouches
780 Haunted Lane
Bensalem, Pa 19020
(267) 803-1517
<http://www.fobusholster.com>

Galco International
2019 West Quail Avenue
Phoenix, Arizona 85027
(623) 434-7070 or (800) 874-2526
www.usgalco.com

Gun Gear
P.O. Box 9417
Bend, OR 97708
(541) 388-3984
www.gungear.com

Uncle Mike's
9200 Cody
Overland Park, KS 66214-1734
(913) 752-3400 or (800) 423-3537
www.uncle-mikes.com

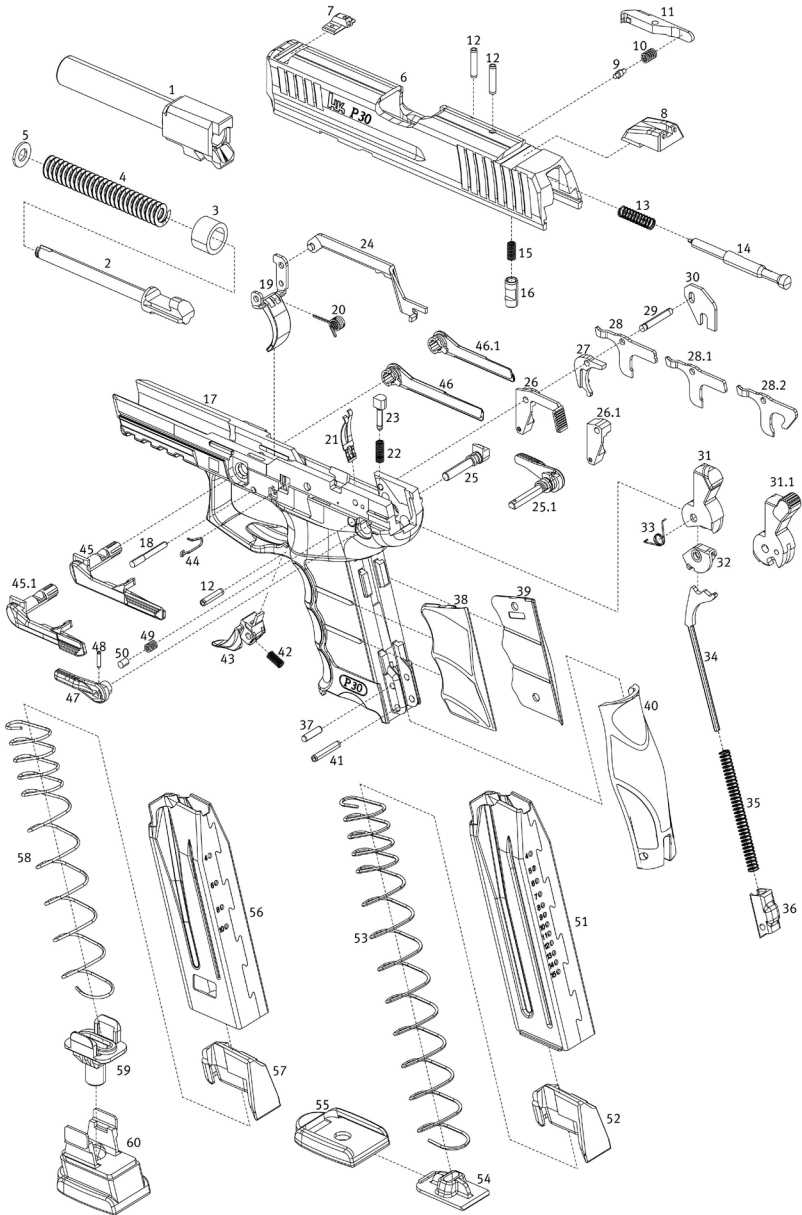
Safariland
3120 E. Mission Blvd.
Ontario, CA 91761
(909) 923-7300 or (800) 347-1200
www.safariland.com

SpetzGear
135 S. Pintado Drive
Diamond Bar, CA 9765
(909) 802-5055
www.spetzgear.com

PARTS LIST (P30 MODELS)

Item	Description	Identification No.	Item	Description	Identification No.
1	Barrel (9 mm x 19)	229931		Grip shell, right (size L)	234307
	Barrel (.40 S&W)	229751	40	Back Strap, (size M)	234302
2-5	Recoil Spring Complete (9 mm x 19)	234319		Back strap (size S)	234299
	Recoil Spring Complete (.40 S&W)	229844		Back strap (size L)	234305
2	Recoil Spring guide rod	234310	41	Clamping Sleeve for back strap	50978170
3	Stop Sleeve	50215932	42	Pressure spring for magazine catch/release	50215929
4	Recoil Spring (9 mm x 19)	215852	43	Magazine catch/release	50234296
	Recoil Spring (.40 S&W)	50215830	44	Form Spring for slide release	50214171
5	Recoil Spring stop disc	50215831	45	Slide release left (P30 V1 and V3)	202805
6	Slide (9 mm x 19)	229877	45.1	Slide release left (alt) (P30 SV3)	227722
	Slide (.40 S&W)	229773	46	Slide release right (P30 V1 and V3)	202806
7	Front sight, height 5.9 mm.	227711	46.1	Slide release right (alt) (P30 SV3)	227723
7.1	Front sight, height 6.1 mm.	50234327	47	Safety lever (P30 SV3)	227814
7.2	Front sight, height 6.3 mm.	50234328	48	Clamping sleeve/Roll pin for safety lever (P30 SV3)	982783
7.3	Front sight, height 6.5 mm.	234329	49	Pressure spring for detent pin (P30 SV3)	209478
7.4	Front sight, height 6.7 mm.	234386	50	Detent pin (P30 SV3)	234316S
7.5	Front sight, height 6.9 mm.	234387		Magazine 9 mm 15 Round (9 mm x 19) 234316	
8	Rear sight	50234323		Magazine .40 S&W 13 Round (.40 S&W)	229845S
9	Extractor bolt	50209294	51	Magazine housing (9 mm x 19)	234318
10	Extractor spring	50218315		Magazine housing (.40 S&W)	229774
11	Extractor	218314	52	Follower	215836
12	Clamping Sleeve (3x)	50988891	53	Spring	215118
13	Firing pin spring	50215822	54	Insert/Locking plate	215844
14	Firing pin	234654	55	Floor plate	234298
15	Compression spring for drop safety	209962		Magazine 9 mm 10 Round	229750S
16	Drop safety catch	50209313		Magazine .40 S&W 10 Round (.40 S&W)	229970S
17	Frame (P30 V1)	234294	56	Magazine housing 9mm 10 Round	215848
	Frame (P30 V3)	234388		Magazine housing 9mm 15 Round	234318
	Frame (P30 SV3)	227832		Magazine housing .40 S&W 10 Round 215833	
18	Trigger Axle	50214154		Magazine housing .40 S&W 13 Round 229774	
19	Trigger	234297	57	Follower	215836
20	Elbow spring for trigger	234389	58	Spring 9mm 10 Round	214850
21	Leaf spring for catches	50214167		Spring 9mm 15 Round	215118
22	Trigger bar detent compression spring 209270			Spring .40 S&W 10 Round	214821
23	Trigger bar detent	209269		Spring .40 S&W 13 Round	215118
24	Trigger bar	207331	59	Insert/Locking plate 9mm 10 Round	215850
25	Hammer axle (P30 V1 and V3)	209272		Insert/Locking plate 9mm 15 Round	215844
25.1	Hammer axle with safety lever (P30 SV3)	227813		Insert/Locking plate .40 S&W 10 Round	215835
26	Release catch and the decocking lever (P30 V3 and SV3)	209261		Insert/Locking plate .40 S&W 13 Round	215844
26.1	Release catch (P30 V1)	209320	60	Floor plate 9mm 10 Round	227947
27	Hammer Catch	209273		Floor plate 9mm 15 Round	234298
28	Control Lever (P30 V1)	209274		Floor plate .40 S&W 10 Round	229971
28.1	Control Lever (P30 V2)	234487		Floor plate .40 S&W 13 Round	234298
28.2	Control Lever (P30 V3)	227812			
29	Cylindrical pin	234758			
30	Disconnecter (P30 V1 and V3)	209271			
	Disconnecter (P30 SV3)	229804			
31	Hammer (P30 V1)	209321			
31.1	Hammer (P30 V3 and SV3)	209327			
32	Cocking piece (P30 V1)	209265			
33	Elbow spring for hammer (P30 V1)	209275			
34	Hammer spring rod	209312			
35	Hammer spring (P30 V1)	50214695			
	Hammer spring (P30 V3 and SV3)	50214300			
	Lock-out Device/Gun Lock Complete	234664			
36	Bearing for Gun lock/Grip Insert	234295			
37	Cylindrical pin	50970074			
38	Grip Shell, left (size M)	234303			
	Grip shell, left (size S)	234300			
	Grip shell, left (size L)	234306			
39	Grip Shell, right (size M)	234304			
	Grip shell, right (size S)	234301			

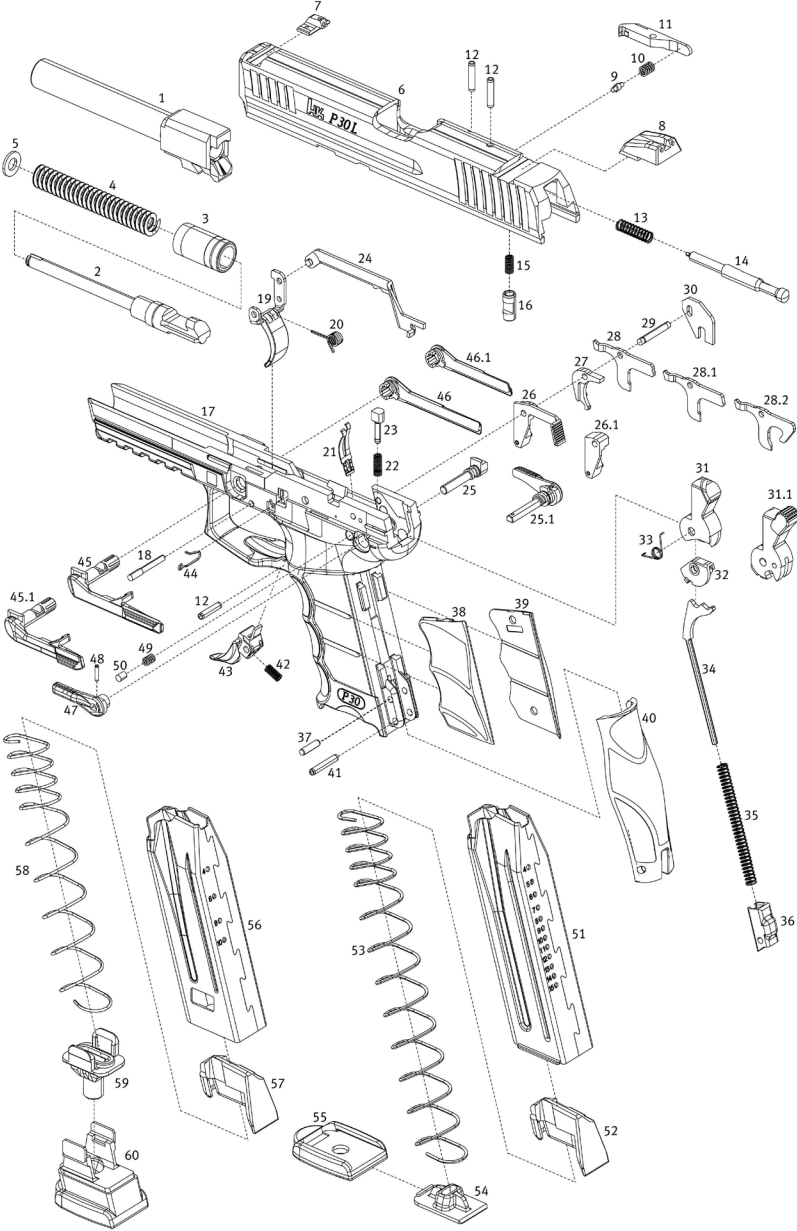
Figure 56
Exploded Diagram (P30 Models)



PARTS LIST (P30L MODELS)

Item	Description	Identification No.	Item	Description	Identification No.
1	Barrel (9 mm x 19)	227713		Grip shell, right (size L)	234307
	Barrel (.40 S&W)	229944	40	Back Strap, (size M)	234302
-	Threaded Barrel (9 mm x 19)	229792		Back strap (size S)	234299
2-5	Recoil Spring Complete (9 mm x 19)	227845		Back strap (size L)	234305
	Recoil Spring Complete (.40 S&W)	229947	41	Clamping Sleeve for back strap	50978170
2	Recoil Spring guide rod	227714	42	Pressure spring for magazine catch/release	50215929
3	Stop Sleeve	223275	43	Magazine catch/release	50234296
4	Recoil Spring (9 mm x 19)	215852	44	Form Spring for slide release	50214171
	Recoil Spring (.40 S&W)	50215830	45	Slide release left (P30L V1 and V3)	202805
5	Recoil Spring stop disc	223275	45.1	Slide release left (alt) (P30L SV3)	227722
6	Slide (9 mm x 19)	227712	46	Slide release right (P30L V1 and V3)	202806
	Slide (.40 S&W)	229946	46.1	Slide release right (alt) (P30L SV3)	227723
7	Front sight, height 5.9 mm.	227711	47	Safety lever (P30L SV3)	227814
7.1	Front sight, height 6.1 mm.	50234327	48	Clamping sleeve/Roll pin for safety lever (P30L SV3)	982783
7.2	Front sight, height 6.3 mm.	50234328	49	Pressure spring for detent pin (P30L SV3)	209478
7.3	Front sight, height 6.5 mm.	234329	50	Detent pin (P30L SV3)	209477
7.4	Front sight, height 6.7 mm.	234386		Magazine 9 mm 15 Round	234316S
7.5	Front sight, height 6.9 mm.	234387		Magazine .40 S&W 13 Round (.40 S&W)	229845S
8	Rear sight	50234323	51	Magazine housing (9 mm x 19)	234318
9	Extractor bolt	50209294		Magazine housing (.40 S&W)	229774
10	Extractor spring	50218315	52	Follower	215836
11	Extractor	218314	53	Spring	215118
12	Clamping Sleeve (3x)	50988891	54	Insert/Locking plate	215844
13	Firing pin spring	50215822	55	Floor plate	234298
14	Firing pin	234654		Magazine 9mm 10 Round	229750S
15	Compression spring for drop safety	209962		Magazine .40 S&W 10 Round	229970S
16	Drop safety catch	50209313	56	Magazine housing 9mm 10 Round	215848
17	Frame (P30L V1)	227546		Magazine housing .40 S&W 10 Round	215833
	Frame (P30L V3)	227858	57	Follower	215836
	Frame (P30L SV3)	229942	58	Spring 9mm 10 Round	214850
18	Trigger Axle	50214154		Spring 9mm 15 Round	215118
19	Trigger	234297		Spring .40 S&W 10 Round	214821
20	Elbow spring for trigger	234389		Spring .40 S&W 13 Round	215118
21	Leaf spring for catches	50214167	59	Insert/Locking plate 9mm 10 Round	215850
22	Trigger bar detent compression spring 209270			Insert/Locking plate 9mm 15 Round	215844
23	Trigger bar detent	209269		Insert/Locking plate .40 S&W 10 Round	215835
24	Trigger bar	207331		Insert/Locking plate .40 S&W 13 Round	214844
25	Hammer axle (P30L V1 and V3)	209272	60	Floor plate 9mm 10 Round	227947
25.1	Hammer axle with safety lever (P30L SV3)	227813		Floor plate 9mm 15 Round	234298
26	Release catch and the decocking lever (P30 V3 and SV3)	209261		Floor plate .40 S&W 10 Round	229971
26.1	Release catch (P30L V1)	209320		Floor plate .40 S&W 13 Round	234298
27	Hammer Catch	209273			
28	Control Lever (P30L V1)	209274			
28.1	Control Lever (P30L V2)	234487			
28.2	Control Lever (P30L V3)	227812			
29	Cylindrical pin	234758			
30	Disconnecter	229804			
31	Hammer (P30L V1)	209321			
31.1	Hammer (P30L V3 and SV3)	209327			
32	Cocking piece (P30L V1)	209265			
33	Elbow spring for hammer (P30J V1)	209275			
34	Hammer spring rod	209312			
35	Hammer spring (P30L V1)	214695			
	Hammer spring (P30L V3 and SV3)	50214300			
	Lock-out Device/Gun Lock Compl.	50234664			
36	Bearing for Gun lock/Grip Insert	234665			
37	Cylindrical pin	50970074			
38	Grip Shell, left (size M)	234303			
	Grip shell, left (size S)	234300			
	Grip shell, left (size L)	234306			
39	Grip Shell, right (size M)	234304			
	Grip shell, right (size S)	234301			

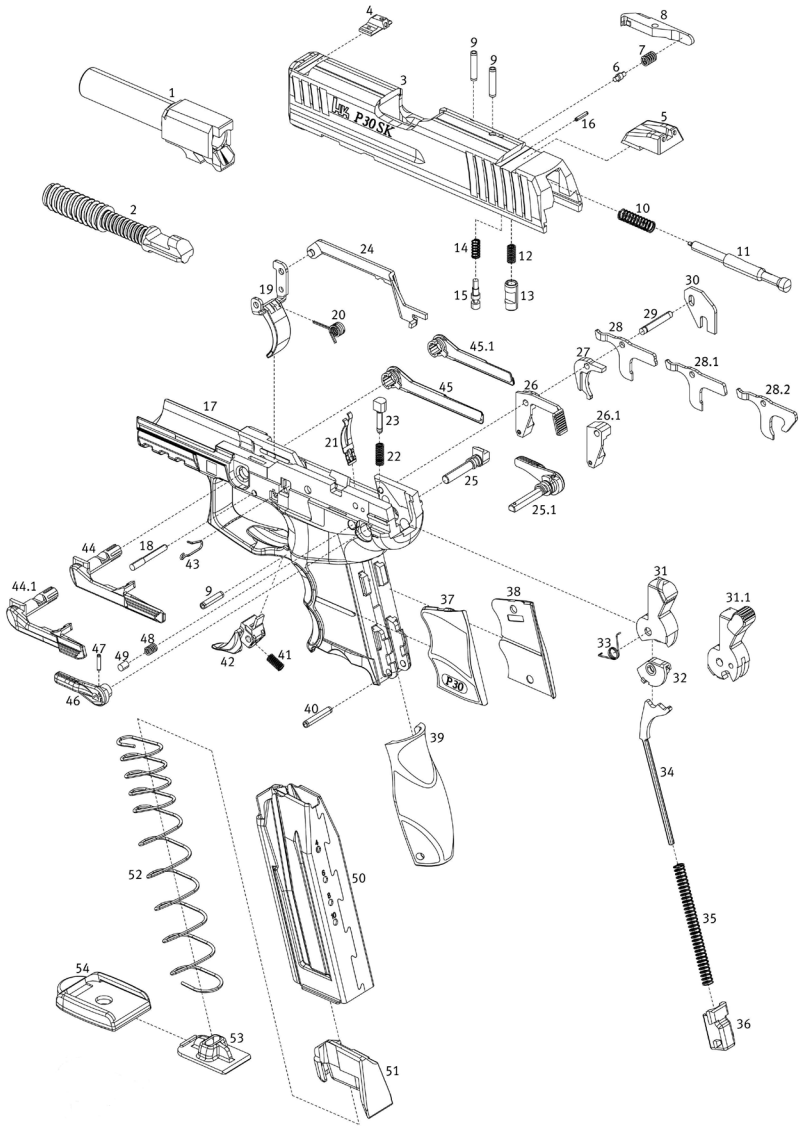
Figure 57
Exploded Diagram (P30L Models)



PARTS LIST (P30SK MODELS)

Item	Description	Identification No.	Item	Description	Identification No.
1	Barrel (9 mm x 19)	207120	40	Dowel Pin- Clamping Sleeve	50978170
2	Recoil Spring Complete (9 mm x 19)	226221	41	Pressure spring for magazine catch/release	50215929
3	Slide (9 mm x 19)	50247150	42	Magazine catch/release	223522
4	Front sight, height 5.9 mm.	227711	43	Form Spring for slide release.	50214171
4.1	Front sight, height 6.1 mm.	50234327	44	Slide release left (P30SK V1 and V3)	202805
4.2	Front sight, height 6.3 mm.	50234328	44.1	Slide release left (alt) (P30SK SV3)	227722
4.3	Front sight, height 6.5 mm.	234329	45	Slide release right (P30SK V1andV3)	202806
4.4	Front sight, height 6.7 mm.	234386	45.1	Slide release right (alt) (P30SK SV3)	227723
4.5	Front sight, height 6.9 mm.	234387	46	Safety lever (P30SK SV3)	227814
5	Rear sight.	50234323	47	Clamping sleeve/Roll pin for safety lever (P30SK SV3)	982783
6	Extractor bolt	50209294	48	Pressure spring for detent pin (P30SK SV3)	209478
7	Extractor spring	50218315	49	Detent pin (P30SK SV3)	209477
8	Extractor.	218314		Magazine 9 mm 10 Round	223515S
9	Clamping Sleeve (3x)	50988891	50	Magazine housing	207162
10	Firing pin spring.	50218522	51	Follower	215836
11	Firing pin	229993	52	Spring.	207218
12	Compression spring for drop safety.	209962	53	Insert/Locking plate	202693
13	Drop safety catch.	50209313	54	Floor plate	234298
14	Compression spring for drop safety (2)	229992	-	Extended floor plate	239284
15	Drop safety catch (2)	229991			
16	Clamping Sleeve for firing pin safety (2)	973112			
17	Frame (P30SK V1)	245265			
	Frame (P30SK V3)	245266			
	Frame (P30SK SV3)	245267			
18	Trigger Axle	50214154			
19	Trigger	234297			
20	Elbow spring for trigger.	234389			
21	Leaf spring for catches.	50214167			
22	Trigger bar detent compression spring.	209270			
23	Trigger bar detent	209269			
24	Trigger bar	207331			
25	Hammer axle (P30SK V1 and V3)	209272			
25.1	Hammer axle with safety lever (P30SK SV3)	227813			
26	Release catch and the decocking lever (P30SK V3 and SV3)	209261			
26.1	Release catch (P30SK V1)	209320			
27	Hammer Catch	209273			
28	Control Lever (P30SK V1)	209274			
28.1	Control Lever (P30SK V2)	234487			
28.2	Control Lever (P30SK V3)	227812			
29	Cylindrical pin	234758			
30	Disconnecter	229804			
31	Hammer (P30SK V1)	209321			
31.1	Hammer (P30SK V3 and SV3)	209327			
32	Cocking piece (P30SK V1)	209265			
33	Elbow spring for hammer (P30SK V1)	209275			
34	Hammer spring rod	207121			
35	Hammer spring	207122			
	Lock-out Device/Gun Lock Complete.	226222			
36	Bearing for Gun lock/Grip Insert	223521			
37	Grip Shell, left (size M)	223506			
	Grip shell, left (size S)	223503			
	Grip shell, left (size L)	223509			
38	Grip Shell, right (size M)	223507			
	Grip shell, right (size S)	223504			
	Grip shell, right (size L)	223510			
39	Back Strap, (size L)	223508			
	Back strap (size S)	223502			
	Back strap (size M)	223505			

Figure 58
Exploded Diagram (P30SK Models)





HECKLER & KOCH
5675 Transport Boulevard
Columbus, Georgia 31907
United States of America
Tel: (706) 568-1906
USA Website: www.hk-usa.com