

**⚠ WARNING:**

**BEFORE USING THIS FIREARM, READ AND FOLLOW THESE INSTRUCTIONS**

**If there is anything you do not understand, get help from someone qualified in the safe handling of firearms.**



**SAFETY  
AND  
INSTRUCTION  
MANUAL**

**DOUBLE ACTION SERIES 90-380 & 9MM AUTO PISTOLS**

**Pony®**

**PonyPocketlite™**

**Pocket Nine™**

**Copyright © 1996 Colt's Manufacturing Company, Inc. All Rights Reserved.  
This instruction manual should always accompany this pistol.  
When you lend, give or sell this firearm, be sure this manual goes with it.**

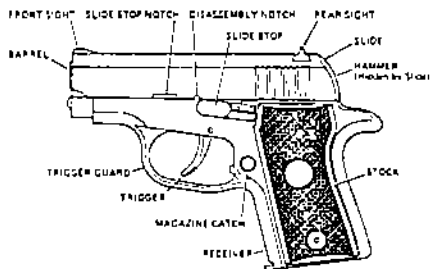


FIGURE 1—COLT® PONY®

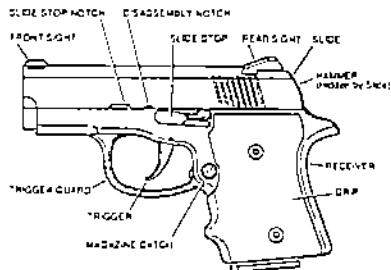


FIGURE 2—POCKET NINE™



**CAUTION:** ALWAYS KEEP AND CARRY YOUR PISTOL EMPTY, EXCEPT WHEN YOU INTEND TO SHOOT, so that your pistol cannot be fired when you do not mean to fire it.



**CAUTION:** USE ONLY CLEAN, DRY ORIGINAL HIGH QUALITY COMMERCIALY MANUFACTURED AMMUNITION IN GOOD CONDITION which is appropriate to the caliber of your pistol—see following table and Section 3 Caution 13. Never carry the pistol with a round in the chamber until ready to shoot.

**BARREL**

**CHAMBERED FOR:**

380 Cal.  
9mm Parabellum

**SUITABLE AMMUNITION:**

380 Auto  
9mm Parabellum

## SECTION 1

## PRECAUTIONS

READ AND UNDERSTAND ALL THE FOLLOWING PRECAUTIONS BEFORE REMOVING THIS FIREARM FROM ITS PACKAGE.

This Colt product is classified by the Alcohol, Tobacco and Firearms Division of the Internal Revenue Service, U.S. Treasury Department, as a firearm or dangerous weapon; it is, therefore, potentially lethal!



**WARNING:** IF THIS FIREARM IS CARELESSLY OR IMPROPERLY HANDLED, UNINTENTIONAL DISCHARGE COULD RESULT AND COULD CAUSE INJURY, DEATH, OR DAMAGE TO PROPERTY.



**CAUTION:** CAREFULLY READ THIS INSTRUCTION MANUAL WHICH GIVES BASIC ADVICE ON THE PROPER HANDLING AND FUNCTIONING OF THIS COLT FIREARM PRIOR TO LOADING AND FIRING. However, your safety and the safety of others (including your family) depends on your mature compliance with that advice, and your adoption, development and constant employment of safe practices.

If unfamiliar with firearms, seek further advice through safe handling courses run by your local gun clubs, NRA approved instructor, or similar qualified organizations.

## **NOTICE**

Colt shall not be responsible for injury, death, or damage to property resulting from either intentional or accidental discharge of this firearm, or from its function when used for purposes or subjected to treatment for which it was not designed. Colt will not honor claims involving this firearm which result from careless or improper handling, unauthorized adjustment or parts replacement, corrosion, neglect, or the use of wrong caliber ammunition, or the use of ammunition other than original high quality commercially manufactured ammunition in good condition, or any combination thereof. Colt will not honor claims involving this firearm for any reason or cause when such claims are made by the second or subsequent owner.

## **IMPORTANT**

Before it left the factory this firearm was tested, carefully inspected, and packaged. Colt cannot control product handling after it leaves the factory; therefore, please examine this firearm carefully at the time of purchase to insure that it is unloaded and undamaged. The dealer will be pleased to assist you in making this examination and endeavor to answer your further questions.

This instruction manual should always accompany this firearm. When you lend, give or sell this firearm, be sure this manual goes with it.

## LIST OF SECTIONS

SECTION	TITLE	PAGE	SECTION	TITLE	PAGE
1	<b>PRECAUTIONS</b>	1		Firing	24
2	<b>Main Features</b>	4		To Fire	25
3	<b>Safety</b>		5	<b>Maintenance:</b>	27
	<b>Instructions:</b>	5		Stripping for Cleaning	
	Cautions	5		380 Auto	28
	<b>Safety Features:</b>	12		Pocket Nine	34
	Trigger Guard	12		Assembling after Cleaning	
	Safety Stop on Hammer	13		380 Auto	30
	Disconnecter	13		Pocket Nine	35
	Inertia Firing Pin	14		When to Clean	37
	Firing Pin Lock	14		How to Clean and Lubricate	37
4	<b>Function:</b>	15		Cleaning the Magazine	
	Ammunition Selection	17		380 Auto	40
	Loading	18		Pocket Nine	41
	To Load a Magazine	18		Storage	43
	To Load the Pistol	20		Servicing and Repair	44
	Carrying Modes	21	6	<b>Parts Illustration and List</b>	47
	Unloading	22	7	<b>The Customized Gun</b>	52
	To Unload	22			

**SAFETY DEPENDS ON YOU**

The Pony and PonyPocketlite are semi-automatic 380 caliber pistols that function in double action only. The Pocket Nine is a larger 9mm double action only pistol. These double action pistols should not be confused with Colt's Mustang and Mustang Pocketlite which are single action pistols. This Safety and Instruction Manual applies to the double action pistols and to variations of them shown in the table below:

Pistol Type	Barrel Length	Finishes	Magazine Capacity	Sights
Pony	2¾"	Stainless Steel	6 rounds and 7 rounds	Fixed square notch rear. Sight radius 3¾".
Pony Pocketlite (aluminum receiver)	2¾"	Stainless Steel	As above.	As above.
Pocket Nine (aluminum receiver)	3"	Stainless Steel	6 rounds	Fixed square notch rear. 3 dot Sight radius 4.43".

**NOTE:** These features may change, for example, with the introduction of a new size pistol or choice of finishes.

## SECTION 3

## SAFETY INSTRUCTIONS

We want you to enjoy shooting your Colt pistol, but we want you to enjoy it safely. You may be an experienced safe shooter already familiar with the procedures in this instruction manual, or you may never have handled a gun before. Either way we urge you to **READ THIS ENTIRE INSTRUCTION MANUAL CAREFULLY. YOU MUST FOLLOW THE SAFETY INSTRUCTIONS FOR YOUR SAFETY AND THE SAFETY OF OTHERS.**



**WARNING:** When you squeeze the trigger, you must expect the gun to fire, and you must take full responsibility for firing it. *Your* care can avoid accidental discharge, and *you* will thereby avoid accidental injury and death.

### CAUTIONS:



#### GENERAL HANDLING CAUTIONS:

1. ALWAYS HANDLE YOUR PISTOL AS IF IT WERE LOADED so that you never fire it accidentally when you think it is unloaded.
2. NEVER POINT YOUR PISTOL AT ANYTHING YOU DO NOT INTEND TO SHOOT so that if it fires accidentally, injury, death, or damage to property will be prevented.

**3 NEVER TAKE ANYONE'S WORD THAT A GUN IS UNLOADED:** check for yourself with fingers off the trigger and gun pointed in a safe direction, so that you never fire the gun accidentally when you think it is unloaded.

**4. ALWAYS MAKE SURE YOUR PISTOL IS NOT LOADED AND SLIDE IS LATCHED OPEN BEFORE LAYING IT DOWN, OR HANDING IT TO ANOTHER PERSON,** so that it cannot be fired when it is unsafe to do so.

**5. ALWAYS KEEP AND CARRY YOUR PISTOL EMPTY,** except when you intend to shoot, so that your pistol cannot be fired when you do not mean to fire it.

**6. ALWAYS BE AWARE OF POSSIBLE RISK FROM DROPPING YOUR PISTOL.** Some parts of the mechanism could be damaged. You may not see the damage but if it is severe, the pistol may discharge and cause injury, death, or damage to property. If your pistol has been dropped, have it examined by a competent gunsmith before using it again.

**7. NEVER LEAVE A LOADED PISTOL UNATTENDED.** Someone, especially a child, may fire it and cause injury, death, or damage to property.

**8. ALWAYS INSTRUCT CHILDREN TO RESPECT FIREARMS.** If you teach your children to shoot, teach them or get them trained by a qualified instructor to treat and use the pistol properly, and always supervise them



closely. Always stress safety so that your children will not fire the pistol when it is unsafe to do so.



### **RANGE CAUTIONS**

9. ALWAYS BE SURE YOUR BACKSTOP IS ADEQUATE to stop and contain bullets before beginning target practice so that you do not hit anything outside the range shooting area. THINK! *What will you HIT if you MISS the target?*

10. ALWAYS PUT A KNOWLEDGEABLE AND RESPONSIBLE PERSON IN CHARGE TO MAINTAIN SAFETY CONTROL WHEN A GROUP IS FIRING ON A RANGE. Obey his commands so that discipline is maintained to reduce the likelihood of accidents.

11. ALWAYS CARRY YOUR PISTOL EMPTY WITH SLIDE LATCHED OPEN WHILE ON A RANGE until preparing to fire. Keep it pointing towards the backstop when loading, firing and unloading, to eliminate the risk of injury, death, or damage to property.



### **LOADING/UNLOADING CAUTIONS**

12. ALWAYS BE SURE BARREL BORE, CHAMBER AND ACTION ARE CLEAN AND CLEAR OF OBSTRUCTIONS. Clean a fouled pistol immediately so that it will function correctly and safely.

13. ALWAYS USE ONLY CLEAN, DRY, ORIGINAL HIGH QUALITY COMMERCIALY MANUFACTURED AMMUNITION IN GOOD CONDITION WHICH IS APPROPRIATE TO THE CALIBER OF YOUR PISTOL. (See inside cover). Gun and ammunition manufacturers design their products within exacting engineering safety limits. Handloads and remanufactured ammunition are sometimes outside those limits. They can be so unsafe as to blow up the chamber, slide and receiver and cause injury, death, or damage to property.



### **SHOOTING CAUTIONS**

14. NEVER DRINK ALCOHOLIC BEVERAGES OR TAKE DRUGS BEFORE OR DURING SHOOTING, as your vision, coordination and judgment could be seriously impaired making your gun handling unsafe.

15. ALWAYS SEEK A DOCTOR'S ADVICE IF YOU ARE TAKING MEDICATION, to be sure you are fit to shoot and handle your pistol safely.

16. ALWAYS WEAR AND ENCOURAGE OTHERS TO WEAR EAR PROTECTION WHEN SHOOTING, especially on a range. Without ear protection, the noise of even one shot from your pistol, and other guns close to you, could leave a "ringing" in the ears for some time after firing. The cumulative long term effect could be permanent hearing loss.

**17. ALWAYS WEAR AND ENCOURAGE OTHERS TO WEAR PROTECTIVE SHOOTING GLASSES.** Flying particles could damage eyes and cause blindness; but protective shooting glasses should prevent such injury.

**18. ALWAYS KEEP CLEAR AND KEEP OTHERS CLEAR OF THE EJECTION PORT.** Spent cartridges are ejected with enough force to cause injury. The ejection port must also be unobstructed by your hand to insure safe ejection of live rounds. Never place fingers in ejection port; they could be burned by hot metal or injured by the slide moving forward.

**19. NEVER SQUEEZE THE TRIGGER OR PUT YOUR FINGER IN THE TRIGGER GUARD UNTIL YOU ARE AIMING AT A TARGET AND READY TO SHOOT.** This will prevent you from firing the pistol when it is pointing in an unsafe direction.

**20. ALWAYS BE ABSOLUTELY SURE OF YOUR TARGET AND THE AREA BEHIND IT BEFORE YOU SQUEEZE THE TRIGGER.** A bullet could travel through or past your target up to 1½ miles . . . if in doubt, don't shoot. **THINK!** *What will you HIT if you MISS the target?*

**21. NEVER SHOOT AT A HARD SURFACE SUCH AS ROCK, OR A LIQUID SURFACE SUCH AS WATER.** A bullet may ricochet and travel in any direction to strike you, or an object you cannot see, causing injury, death, or damage to property.

22. NEVER DISCHARGE A FIREARM NEAR FLAMMABLE MATERIAL. Flame and sparks erupt from the firearm when discharged. They could start a fire or cause flammable liquids and gasses to explode.

23. NEVER FIRE YOUR PISTOL NEAR AN ANIMAL unless it is trained to accept the noise; an animal's startled reaction could injure it or cause an accident.

24. NEVER INDULGE IN "HORSEPLAY" WHILE HOLDING YOUR PISTOL as it may be accidentally discharged.

25. NEVER WALK, CLIMB OR FOLLOW A COMPANION WITH YOUR PISTOL, OUT OF ITS HOLSTER. WHEN YOUR PISTOL IS OUT OF ITS HOLSTER, HOLD YOUR PISTOL SO THAT YOU CAN ALWAYS CONTROL THE DIRECTION OF THE MUZZLE. TO ELIMINATE RISK OF ACCIDENTAL DISCHARGE ALSO KEEP THE CHAMBER EMPTY *UNTIL YOU ARE READY TO SHOOT.*



### **MALFUNCTION CAUTIONS**

26. FAILURE TO FIRE: ALWAYS HOLD THE PISTOL, KEEPING IT POINTED TOWARD THE TARGET OR A SAFE OPEN AREA AND WAIT 30 SECONDS when the pistol fails to fire. If a hangfire (slow ignition) has occurred, round will fire within 30 seconds. If round does not fire, remove magazine, eject

round and examine primer; if firing pin indent or primer is light, off center, or non-existent, have the pistol examined by a competent gunsmith before firing again. If firing pin indent on primer appears normal (in comparison with similar previously fired rounds) assume faulty ammunition; segregate mis-fired round from other live ammunition and empty cases, reload and carry on firing.

**NOTE:** Dispose of misfired rounds in accordance with ammunition manufacturer's instructions.

**27. NEVER USE YOUR PISTOL IF IT FAILS TO FUNCTION PROPERLY, AND NEVER FORCE A JAMMED ACTION,** as a round may explode causing serious injury, possible death, or severe damage to your pistol.



### **CLEANING AND STORAGE CAUTIONS**

**28. ALWAYS MAKE SURE YOUR PISTOL IS NOT LOADED BEFORE CLEANING, STORING, TRAVELING, LAYING IT DOWN, OR HANDING IT TO ANOTHER PERSON,** so that it cannot be fired when it is unsafe to do so.

**29. ALWAYS KEEP AND STORE YOUR PISTOL AND AMMUNITION IN SEPARATE LOCKED RECEPTACLES OUT OF REACH AND SIGHT OF CHILDREN AND UNTRAINED PEOPLE,** to minimize the risk of pistol and ammunition being easily available for loading and firing.



## **GUN ABUSE CAUTION**

**30. NEVER ABUSE YOUR PISTOL** by using it for any purpose other than shooting.

**31. NEVER DRY FIRE THE PISTOL WHEN THE SLIDE IS REMOVED FROM THE RECEIVER,** and do not alter parts as the level of safety could be reduced.

**NOTE:** Please note that we have chosen to use the word "SQUEEZE" in this instruction manual instead of "PULL" or "PRESS" when trigger movement is described; this is simply to remind you of the need for a gentle squeezing action to achieve accuracy.

## **SAFETY FEATURES**

Colt Pony Double Action, 380 and 9mm Auto semi-automatic pistols incorporate several positive safety device's which, if properly employed, can minimize the danger of accidental firing. These safety devices are described on the following pages.

### **Trigger Guard**

The Trigger Guard is a metal loop around the trigger to protect it from damage and to help prevent accidental discharge.

## Safety Stop on Hammer

The Safety Stop is a flat shelf-like surface on the hammer which functions as an automatic safety device. It will engage the sear to prevent the hammer from falling fully forward unintentionally and will insure against uncontrolled automatic fire. Its main function in this pistol is to prevent the hammer from striking the firing pin when the hammer returns forward as the slide goes forward in its normal action cycle.

## Disconnecter

This safety device prevents a round being fired before it is in the chamber with slide and barrel locked. When slide is not fully forward the Disconnecter is depressed; its lower part disengages the drawbar, so that the hammer cannot be released if the trigger is squeezed. However, when slide and barrel are locked, a spring pushes the Disconnecter up into a recess in the slide; this links trigger, drawbar and hammer so that the pistol can be fired by squeezing the trigger.



**CAUTION:** NEVER ATTEMPT TO CHECK OR DEMONSTRATE THE DISCONNECTOR FUNCTION WITH A LOADED PISTOL. Pushing on the muzzle with your hand or any other portion of the body is extremely dangerous and could result in accidental discharge causing injury, death, or damage to property.

SAFETY DEPENDS ON YOU

## Inertia Firing Pin

The Firing Pin, which is shorter than its housing, is held to the rear by a spring and cannot protrude through face of slide unless a hammer blow overcomes the spring force and the inertia of the pin. This will occur when the hammer falls.

## Firing Pin Lock

The Firing Pin Lock engages the firing pin to prevent its movement until the trigger is squeezed. Housed in the slide, the Firing Pin Lock is pushed up into engagement with the firing pin by the ejector. The Firing Pin Lock is spring loaded so that it is pushed down out of engagement with the firing pin when the ejector rotates forward. The ejector moves forward only when the trigger is pulled to the point of releasing the hammer. In this way, when struck by the hammer, the firing pin is free to move forward and discharge the pistol. This safety device minimizes the risk of accidental discharge through mishandling such as when a loaded pistol is dropped or receives a blow to the muzzle.

**IMPORTANT:** These safety devices are designed and installed in this pistol to prevent accidental discharge. Of course, this Colt pistol is designed primarily to discharge bullets, and it will do this efficiently when it is loaded and you squeeze the trigger. *Always expect the gun to fire when you squeeze the trigger.*



A Colt Pony, or Pocket Nine, double action only, semi-automatic pistol is ready to fire when there is a round in the chamber. To put a round in the chamber you insert a loaded magazine into the pistol. Then you pull the slide fully back and release it. The slide goes forward and feeds a round from the magazine into the chamber. Final slide movement locks barrel and slide together and allows the disconnector to move up.

You may now fire the pistol just by squeezing the trigger. By pulling the trigger fully rearward it both cocks and releases the hammer to fire the pistol. You can fire it even with the magazine removed.

Squeezing the trigger moves the drawbar forward. The drawbar lug engages the hook plate on the underside of the hammer to begin cocking the hammer. Final trigger movement cams the drawbar lug out of engagement with the hammer hook to release the hammer. Meanwhile, the lug also acts on the sear which rotates the ejector forward allowing the firing pin lock to move down and clear the firing pin.

The hammer pivots forward under the force of the hammer spring to strike the firing pin. The firing pin strikes the primer in the base of the cartridge. Energy imparted to the primer ignites the priming compound that ignites the main powder charge. The fast burning powder, rapidly generates extremely high gas pressure to drive the bullet down the barrel. Rifling grooves in the barrel impart stabilizing spin to the bullet so that it will follow a more accurate path to the target.

Meanwhile, gas pressure applies force rearward on the breech face. This starts the slide and barrel on their rearward travel in recoil. The barrel unlocks from the slide only after the bullet has left the barrel and gas pressure is down to a safe level. The barrel stops, but the slide continues to move rearward compressing the recoil spring. The slide moves over the disconnecter and pushes it down along with the drawbar. This allows the sear, ejector and firing pin lock to return to their original position. At the same time, the extractor holds the spent cartridge case on the breech face until the slide moves far enough back for the spent case to strike the ejector. This pivots the spent case out through the ejection port. The slide continues rearward until the breech face is behind the base of the next round in the magazine.

If the magazine is empty, the slide will stay open. If there is a round in the magazine, the slide will not stay open. The recoil spring will force the slide forward to feed the next round into the chamber. The hammer will follow the slide forward until the sear stops it on the safety stop.

To fire the next round and repeat the action cycle, you must release the trigger, allowing it to return fully forward, and squeeze it again.

Also note that if the pistol is fired after the magazine has been removed the slide will not stay open.

## **AMMUNITION SELECTION**

Colt firearms are designed to function with a variety of brands and types of factory-manufactured ammunition in the appropriate caliber; but not all ammunition produces the same result. Colt recommends that after you read and understand this manual, you go to the range and fire different ammunition which is appropriate to the caliber of your firearm. Once you find the ammunition which functions best, keep using it. **Every time before loading your pistol, examine the ammunition, particularly on and around the primer. Look for dents, scratches and other signs of damage. Do not load damaged ammunition.**

**NOTE:** The use of high performance ammunition will accelerate wear in aluminum Pocketlite pistols.

**SAFETY DEPENDS ON YOU**

## LOADING



**CAUTION:** TO MINIMIZE RISK OF UNINTENTIONAL DISCHARGE, LOAD LIVE AMMUNITION INTO PISTOL ONLY WHEN YOU INTEND TO SHOOT, AND THEN KEEP AN EMPTY CHAMBER UNDER THE HAMMER.



**CAUTION:** ALWAYS EXERCISE EXTREME CARE TO KEEP MUZZLE POINTING IN A SAFE DIRECTION, WELL CLEAR OF YOUR BODY particularly when loading and unloading.



### To Load A Magazine:

1. **CAUTION:** READ SAFETY INSTRUCTIONS (Section 3).
2. Use only ammunition recommended inside front cover of this instruction manual as suitable for your pistol. **Examine the ammunition, particularly on and around the primer. Look for dents, scratches, and other signs of damage. Do not load damaged ammunition.**
3. With open end uppermost, grasp magazine in one hand. Place a round on magazine follower with base just forward of retaining lips (see Figure 3). Press round down and back until base of round touches rear flat edge of magazine.

Place next round on top of previous round and press down and back. Repeat until magazine is loaded, but do **NOT** exceed its capacity. For magazine capacity, see Section 2—Main Features.



**CAUTION:** TO MINIMIZE RISK OF UNINTENTIONAL DISCHARGE LOAD LIVE AMMUNITION INTO PISTOL ONLY WHEN YOU ARE ABOUT TO SHOOT.

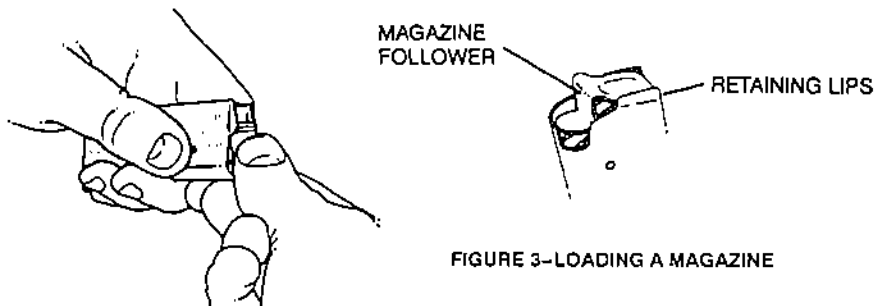


FIGURE 3—LOADING A MAGAZINE



## To Load The Pistol:

**1. CAUTION: READ SAFETY INSTRUCTIONS (Section 3)—KEEP PISTOL POINTING IN SAFE DIRECTION AND DO NOT TOUCH THE TRIGGER.**

2. Remove magazine from pistol. Place your hand under magazine to prevent it from falling. Press magazine catch (located on left of pistol behind trigger guard) to drop the magazine out of the magazine well (See Figure 4).

3. Hold pistol by stock with one hand. Keep other hand clear of ejection port and grasp serrated finger grips on both sides of slide. Pull slide back slightly and **LOOK IN CHAMBER TO ENSURE IT IS EMPTY**; allow slide to return forward.

4. Insert loaded magazine into magazine well with bullets pointing forward. Push magazine fully "home" until magazine catch is heard to "click" locking it in place.

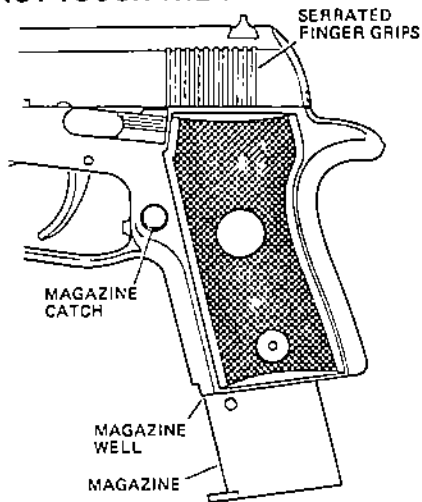


FIGURE 4—MAGAZINE PARTIALLY INSERTED

**IMPORTANT:** Do not strike base of magazine to drive it home—just push it firmly into pistol. Otherwise, you could damage magazine and injure your hand.

5. When you are ready to shoot, grip the slide as described in Step 3 and pull it fully rearward. Release the slide to fly forward and feed a round from the magazine into the chamber. **THE PISTOL IS NOW LOADED AND READY TO FIRE. IT CAN FIRE WHETHER THE MAGAZINE IS IN OR OUT.**

## **CARRYING MODES**

**NOTE:** This pistol may be carried in any one of the following three modes according to your needs:

Mode 1: —MAGAZINE EMPTY, CHAMBER EMPTY.

—Pistol cannot be discharged.

—Use Mode 1 for storage, transporting, cleaning, repair, demonstrating and dry practice.

Mode 2: —MAGAZINE LOADED, CHAMBER EMPTY.

—Pistol cannot be fired until slide is cycled and trigger is squeezed.


—Use Mode 2 when **CARRYING THE PISTOL READY FOR USE.**

Mode 3: —MAGAZINE LOADED, CHAMBER LOADED.

—Pistol can be fired when trigger is squeezed.

—Use Mode 3 when you **MUST BE PREPARED** to use the pistol **IMMEDIATELY** without warning.

**SAFETY DEPENDS ON YOU**

 **WARNING:** When you squeeze the trigger, you must expect the gun to fire, and you must take full responsibility for firing it. Your care can avoid accidental discharge, and you will thereby avoid accidental injury and death.

### **UNLOADING**

 **CAUTION:** ALWAYS UNLOAD YOUR PISTOL IMMEDIATELY AFTER USE AND BEFORE CLEANING AND STORAGE to minimize the risk of accidental discharge.

#### **To Unload:**

1. Be sure you are familiar with Safety Instructions in Section 3. Keep pistol pointing in a safe direction, do not touch trigger and always keep hands away from muzzle and ejection port.
2. Place hand under magazine to prevent it from falling and press magazine catch to release and eject magazine.

**NOTE:** If slide is fully rearward, Step 3 does not apply.



3. Using serrated finger grips pull slide sharply rearward to extract and eject a round from the chamber. Keep your hands clear of the ejection port to allow round to eject without obstruction. Examine previously chambered round for dents or other damage; if damaged, dispose of it as explained in Paragraph 7.



**4. CAUTION: KEEP PISTOL POINTING IN A SAFE DIRECTION WHILE YOU LOOK IN THE CHAMBER TO ENSURE IT IS EMPTY AND SEE THAT MAGAZINE HAS BEEN REMOVED.**

5. Keep pistol pointing in a safe direction, allow slide to return forward on empty chamber. (If slide is held to rear by the slide stop, pull slide back slightly, then release it).

6. Remove remaining live rounds by sliding them forward out of the magazine.

7. Collect undamaged live ammunition for safe storage and future use. Collect spent cartridge cases for disposal. **Segregate misfired and damaged live ammunition for disposal according to ammunition manufacturer's instructions.**

## **FIRING**

Before firing your Colt pistol, practice your stance, aim, rhythm and breathing for steady aim with your pistol UNLOADED.

Practice firing on a range before going hunting or using your pistol for any other type of shooting.



### **CAUTIONS:**

- 1. ALWAYS WEAR AND ENCOURAGE OTHERS TO WEAR EAR PROTECTION WHEN SHOOTING**, especially on a range. Without ear protection, the noise of just one round from your pistol, and other guns close to you, could leave a "ringing" in your ears for some time after firing. The cumulative long term effect could be permanent hearing loss.
- 2. ALWAYS WEAR AND ENCOURAGE OTHERS TO WEAR PROTECTIVE SHOOTING GLASSES.** Flying particles could damage eyes and cause blindness; but protective shooting glasses should prevent such injury.



## To Fire

1. **CAUTION:** READ SAFETY INSTRUCTIONS (Section 3)—KEEP PISTOL POINTING IN SAFE DIRECTION AND DO NOT TOUCH THE TRIGGER.

2. Load pistol as previously described.

3. Grasp pistol by stock and, keeping your finger outside the trigger guard, take aim. Aim by aligning target with front and rear sights. (See Figure 5). After identifying your target and seeing that it is clear to shoot, focus on the front sight. Be sure you have a safe backstop. THINK! What you will HIT if you MISS the target.

4. Keeping steady aim, place index finger on trigger and squeeze, until hammer falls. Don't jerk the trigger as you will disturb your aim and spoil your accuracy. To fire the second and subsequent rounds, all that is necessary is to release the trigger and squeeze it again after every shot until you have completed firing.

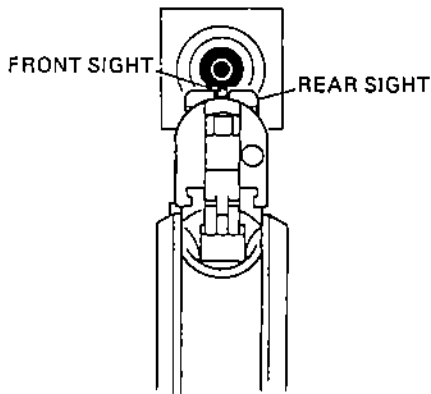


FIGURE 5—AIMING

5. THIS IS A SEMI-AUTOMATIC PISTOL AND IS IMMEDIATELY LOADED AND AND READY TO FIRE AGAIN AFTER EACH SHOT UNTIL THE MAGAZINE IS EMPTY.

**NOTE:** This pistol can be fired without a magazine in place.

6. Release trigger, remove finger from trigger.



**CAUTION: IF PISTOL FAILS TO FIRE, HOLD IT, KEEPING IT POINTED TOWARD THE TARGET OR SAFE OPEN AREA AND WAIT 30 SECONDS.** If a hangfire (slow ignition) has occurred, round will fire within 30 seconds. If round does not fire, remove magazine, eject round and examine primer. If firing pin indent on primer is light, off center or nonexistent, have pistol examined by a competent gunsmith before firing again. If firing pin on primer appears normal (In comparison with similar previously fired rounds) assume faulty ammunition; segregate misfired round from other live ammunition and empty cases; reload and carry on firing.

**NOTE:** Dispose of misfired rounds in accordance with the ammunition manufacturer's instructions.



**7. CAUTION: KEEP PISTOL POINTING IN A SAFE DIRECTION.** Unload as previously described.

Like any other precision mechanism, your pistol will function better, last longer, and remain safer when it is properly maintained. Follow the advice in this section to keep your pistol in peak condition. Keep your pistol clean and properly lubricated to prolong its reliable life.

**CAUTIONS:**

1. ENSURE THAT MAGAZINE IS REMOVED AND THE PISTOL IS NOT LOADED BEFORE STRIPPING AND CLEANING, so that pistol will not fire.
2. WEAR SAFETY GLASSES in case you lose control of some spring loaded component such as the recoil spring or guide which could injure your eyes.
3. NEVER DRY FIRE THE PISTOL WHEN THE SLIDE IS REMOVED FROM THE RECEIVER, and do not alter parts as the level of safety could be reduced.

**NOTE:** Force is unnecessary and should never be used to strip or assemble your pistol.

## STRIPPING FOR CLEANING – 380 AUTO

1. Ensure magazine is removed and pistol is NOT loaded. Be sure you are familiar with the Safety Instructions in Section 3.
2. Pull slide to rear until lug on slide stop is opposite disassembly notch. (See Figure 6). Push rounded end of pin of slide stop (on right of receiver) inward enough so that slide stop sticks out from left side of pistol.
3. Lift out slide stop. (See Figure 6).
4. Push slide forward off the receiver.



**CAUTION: THE SPRINGS ARE STRONG AND COULD FLY OUT AND INJURE OR EVEN BLIND SOMEBODY if they are not handled with care.**

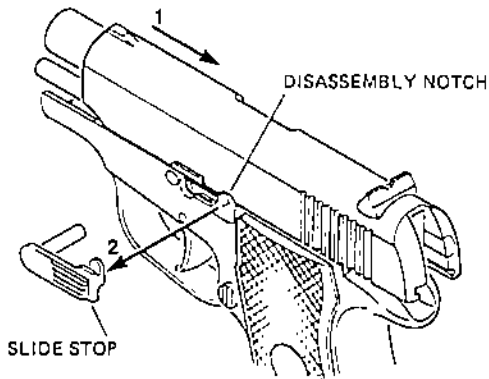


FIGURE 6-REMOVING SLIDE STOP

5. Take up tension of recoil springs, then lift springs and recoil spring guide up and out of the slide. (See Figure 7).
6. Separate two springs, guide and washer
7. Remove barrel by pulling it back, up and out of the slide.

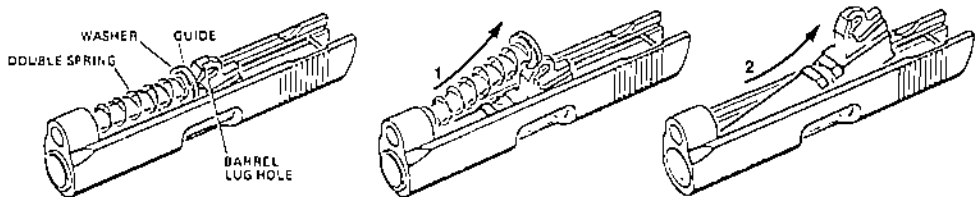


FIGURE 7-REMOVING BARREL

**IMPORTANT:** Do not strip your pistol further than previously described. If additional maintenance is required, see "Service and Repair" later in this instruction manual.

## ASSEMBLING AFTER CLEANING – 380 AUTO

Sometimes assembly can be fairly difficult. Please be careful to keep control over the springs to prevent parts from flying off and getting lost or causing injury.



**CAUTION: THE SPRINGS ARE STRONG AND COULD FLY OUT AND INJURE OR EVEN BLIND SOMEBODY if they are not handled with care.**

1. First assemble the washer and springs onto the recoil spring guide;  
See Figure 8.

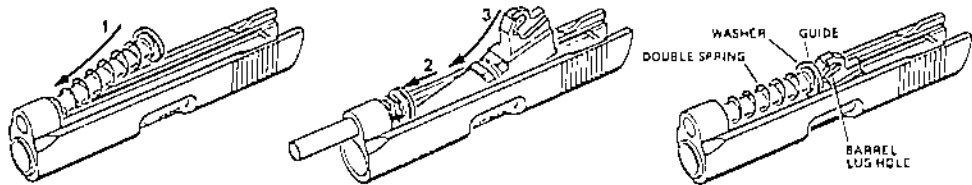
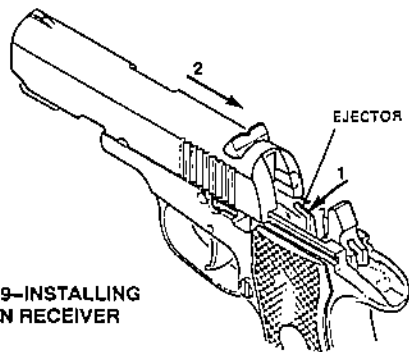


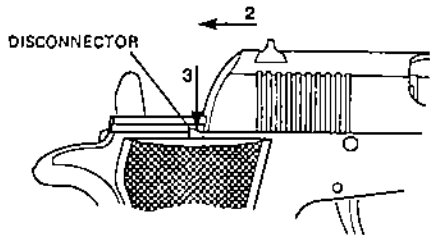
FIGURE 8—ASSEMBLING BARREL AND RECOIL SPRING



2. From the rear, push the recoil spring guide through the hole in the front of the slide and keep pushing it until the spring is fully compressed.
3. Grasp that part of the recoil spring guide that sticks forward through the slide and hold it tight; or hold the recoil spring guide forward with your thumb.
4. Drop the barrel into the slide behind the recoil spring and guide assembly until barrel is properly seated.
5. Allow the recoil springs to push the guide back until it rests against the face of the barrel lug.
6. Put the slide and barrel assembly onto the receiver and run the slide onto the receiver rails; See Figure 9.
7. If the ejector is sticking up, push it down below the level of the receiver rail. When you push it down far enough it will stay down until you install a magazine.
8. As the slide moves along the receiver (Step 2) it should ride over the disconnecter. If the slide sticks against the disconnecter, you can push it down (Step 3) to let the slide ride over it; see Figure 9.



**FIGURE 9—INSTALLING  
SLIDE ON RECEIVER**



9. Keep pushing the slide along the receiver. Look through the slide stop hole in the receiver until the barrel lug hole is in line with it. Insert the slide stop through the slide stop hole until it is almost home. Continue to push the slide rearward

until the disassembly notch lines up with rear part of the slide stop. This will allow slide stop to be pushed fully home; see Figure 10.

10. Exercise the slide back and forth a few times and squeeze the trigger to dry fire the pistol. Only dry fire it like this to check its function. It is not good for the mechanism to be dry fired repeatedly.

11. When the slide is open, look into the ejection port to see that the ejector is up and the firing pin is **not** sticking forward. If the ejector is not up, install an empty magazine, and check again. This completes assembly.

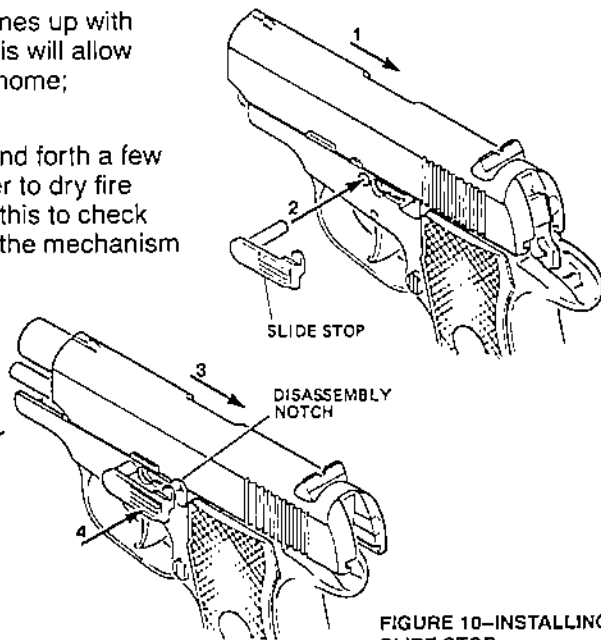


FIGURE 10—INSTALLING SLIDE STOP

## STRIPPING FOR CLEANING – POCKET NINE

1. Ensure magazine is removed and pistol is NOT loaded. Be sure you are familiar with the Safety Instructions in Section 3.
2. Follow steps 2 and 3 for 380 disassembly.
3. Push slide forward off the receiver.



**CAUTION: THE SPRINGS ARE STRONG AND COULD FLY OUT AND INJURE OR EVEN BLIND SOMEBODY if they are not handled with care.**

4. Take up tension of recoil springs by pinching together (step #1) as shown, then lift (step #2) springs and recoil spring guide up and out of the slide. (See Figure 11).

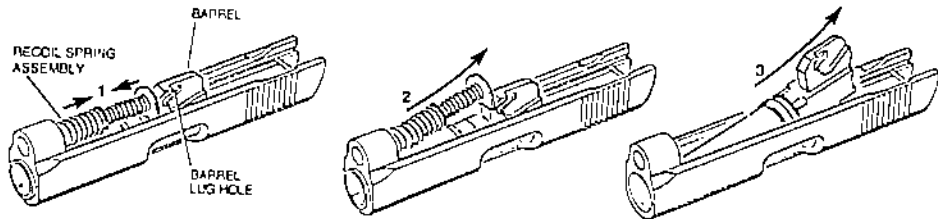


FIGURE 11—REMOVING BARREL

- 5 . Separate two springs, guide and washer.
6. Remove barrel by pulling it back, up and out of the slide.

**IMPORTANT:** Do not strip your pistol further than previously described. If additional maintenance is required, see "Service and Repair" later in this instruction manual.

### **ASSEMBLING AFTER CLEANING – POCKET NINE**

Sometimes assembly can be fairly difficult. Please be careful to keep control over the springs to prevent parts from flying off and getting lost or causing injury.



**CAUTION: THE SPRINGS ARE STRONG AND COULD FLY OUT AND INJURE OR EVEN BLIND SOMEBODY if they are not handled with care.**

1. First assemble the washer and springs onto the recoil spring guide; See Figure 12.
2. Drop the barrel into the slide behind the recoil spring and guide assembly until barrel is properly seated.
3. From the rear, push the recoil spring guide through the hole in the front of the slide and keep pushing it until the spring is fully compressed. It may be necessary to pinch the recoil springs together as shown in Figure 11. Step #1 to assemble them into place.

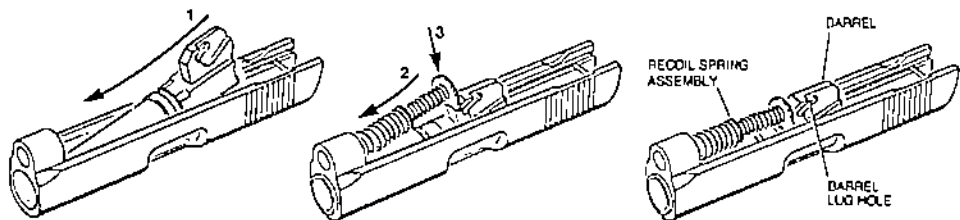


FIGURE 12—ASSEMBLING BARREL AND RECOIL SPRING

4. Allow the recoil springs to push the guide back until it rests against the face of the barrel lug.

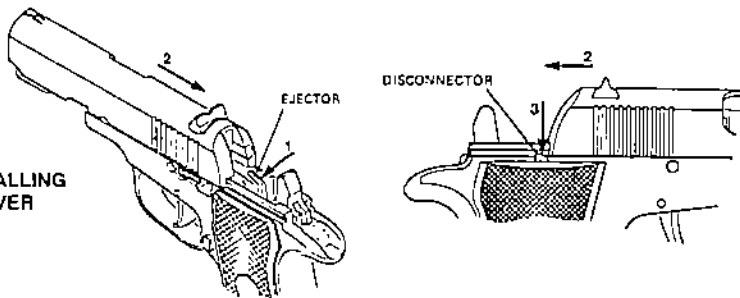


FIGURE 13—INSTALLING SLIDE ON RECEIVER

5. Put the slide and barrel assembly onto the receiver and run the slide onto the receiver rails; See Figure 13.

Steps 7 thru 11 are the same as for the 380.

### **WHEN TO CLEAN**

You should clean your pistol as soon after firing as possible so that the job will be easier and there will be less opportunity for corrosion to start. When your pistol has not been fired, clean it periodically; we suggest once or twice a year in a temperate climate, or as often as once a month in a tropical climate. If you carry a loaded pistol, UNLOAD it and clean it at least once a month. If you get your pistol wet, clean it as soon as possible.

### **HOW TO CLEAN AND LUBRICATE**

The following cleaning procedure may be used both periodically and after firing; however, those items marked "\*" are unnecessary for periodic cleaning.

**Materials:** Cleaning rod, cotton flannel patches (cut to fit snugly into the bore), a small toothbrush, good quality light gun oil, \*gun cleaning solution, and \*a brass wire bristle bore cleaning brush.

**NOTE:** In freezing conditions (below 32°F or 0° C) avoid the use of oil for lubrication; instead apply dry lubricant sparingly.

**SAFETY DEPENDS ON YOU**



## Procedure

**1. CAUTION: ENSURE THAT THE PISTOL IS NOT LOADED.**

2. Strip for cleaning as previously described.

**NOTE:** Avoid contact between cleaning rod and muzzle as resultant wear will reduce accuracy. To avoid damaging the muzzle always clean from breech end forward.

3. Attach cotton flannel patch to end of cleaning rod, insert it in breech and pass rod and patch down through barrel. Repeat, changing patches until last patch comes out clean.

4. Inspect barrel by looking through it; if it is clean, proceed directly to step 7, but if it remains dirty, continue with step 5.

5. **\*(NOTE:** This item should be applicable only after firing). Attach brass wire bristle brush to cleaning rod and dip brush in gun cleaning solution. Thoroughly scrub out barrel, passing the brush all the way through before reversing the movement. If you try to change direction with brush in barrel, the brush will stick.

6. Repeat steps 3 and 4 above.

7. Clean rear face of barrel and face of slide, using a small toothbrush.



8. Lightly moisten a flannel patch with gun oil and pass it once through barrel, leaving a thin film of oil on the inside surface. Leave this film of oil on the inside surface if pistol is to be stored. If it is not to be stored, or if it is being removed from storage for use, pass a dry patch through the barrel to remove as much oil as possible especially from the chamber in the rear of barrel.

9. Check that flannel threads or brush bristles are not stuck in any part of the pistol. Wipe all the metal surfaces you can reach with a flannel patch lightly moistened with gun oil. (See **NOTE** on cold weather lubrication).

10. Wipe the:

—barrel on the outside.

—slide rails inside the slide and on the receiver.

11. Put one small drop of oil on the:

—locking groove inside the slide

—hammer pivot pin

—trigger pivot pin

—sear pivot pin

—pivot points on the drawbar

—disconnecter

**Note that slide movement will spread oil to other areas.**

12. Wipe away any excess oil.

13. Reassemble pistol as previously described

14. Again wipe external surfaces with oil moistened patch to remove any finger prints. (Finger moisture, if left, could start corrosion process). (See **NOTE** on cold weather lubrication).

15. Remove any gun cleaning solution and oil from the stock.

**SAFETY DEPENDS ON YOU**

## CLEANING THE MAGAZINE – 380 AUTO

It is advisable to clean the magazine(s) whenever the pistol is cleaned. **To disassemble the magazine**, remove the magazine follower and spring by depressing them with a piece of wood (pen or pencil) about two inches into the magazine and inserting a thin rod (small screwdriver) through lower of the front two holes in the magazine body. This will hold the spring under tension. Turn the magazine upside down and lightly tap it so that the follower falls away from the spring; lift out the follower from the magazine body. Push down on spring to take up the spring tension, remove the thin rod and allow the spring to extend, then remove it completely. Do not attempt to remove the base extension.

Clean all three components, taking care to remove carbon deposits from the lips of the magazine and the magazine follower. Wipe components with lightly oiled cloth and reassemble.

**To assemble the magazine**, place spring correctly oriented, i.e., with loop uppermost pointing forward, into the magazine body. Compress spring and insert thin rod as for dismantling. Place follower in magazine as illustrated (See Figure 10), take up spring tension, remove thin rod and allow spring to reassert its influence on the follower.

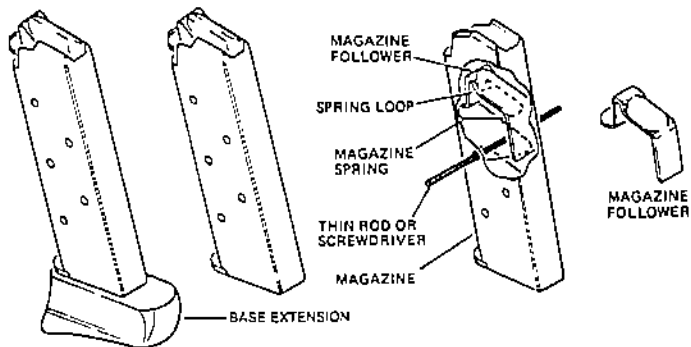


FIGURE 14—MAGAZINE ASSEMBLY

## CLEANING THE MAGAZINE – POCKET NINE

It is advisable to clean the magazine(s) whenever the pistol, is cleaned. **Caution must be exercised when disassembling the magazine as the magazine spring is compressed and will fly out when released. Always wear safety glasses when disassembling or assembling. To disassemble magazine:** after making sure the magazine is unloaded, remove the base plate by depressing the retaining plate release button as shown in Figure 15 and sliding base plate off as shown.

SAFETY DEPENDS ON YOU

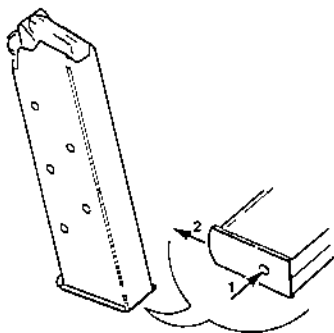


FIGURE 15—REMOVING  
THE BASE PLATE



**CAUTION:** The magazine spring will be released and will fly out with considerable force if not restrained. The baseplate retainer, spring and follower may now be removed out of the bottom of the magazine.

Clean all components, taking care to remove carbon deposits from the lips of the magazine and the follower. Wipe components with lightly oiled cloth and reassemble.

To assemble the magazine, place the follower inside the bottom of the magazine tube, making sure the radius end of the follower is aligned with the magazine tube radius (See Figure 16). Allow the follower to slide into the tube

and comes to rest against the inside of the feed lips. Insert the spring and retaining plate as shown, making sure the bump on the retaining plate is facing outward.

## STORAGE



**CAUTION:** ALWAYS UNLOAD YOUR PISTOL FOR STORAGE AND STORE AMMUNITION SEPARATELY. Keep and store your pistol and ammunition securely locked and in separate locations out of reach and sight of children. (Children are naturally curious and do not always believe the real danger of guns).

**NOTE:** Do not store your pistol in an air-tight container, and do not seal or attempt to seal the barrel to exclude dust, as the internal steel surface is more likely to corrode. Use the Colt packaging case to carry and store your EMPTY pistol.

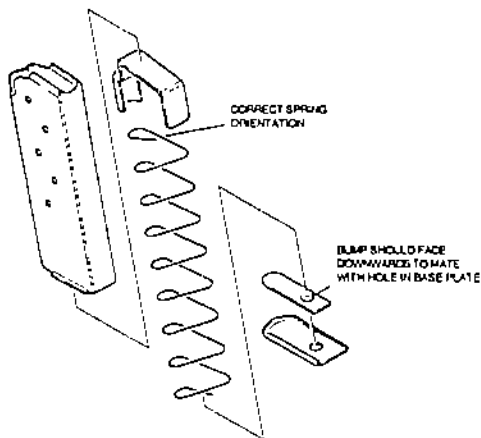


FIGURE 16—EXPLODED VIEW OF 9MM MAGAZINE

SAFETY DEPENDS ON YOU

## SERVICING AND REPAIR

Should your pistol require adjustment, or repair, make sure it is NOT LOADED and send it to Colt's. For spare parts, seek advice from the Dealer who should have up to date information on how best to obtain genuine Colt parts.

An illustration and list of part names are included in the next section of this instruction manual to help you identify the part you need, but it is important to note that all parts are not available for sale. Those parts which are available should be installed by Colt's or by a competent gunsmith. When ordering parts, please give part name as given on the Parts List. Also give the caliber, model name, serial number and metal finish of your pistol.

**IMPORTANT:** If you make unauthorized adjustments or use unauthorized parts, Colt will not assume responsibility for the functioning of this pistol.

THIS GUN IS MANUFACTURED TO PERFORM PROPERLY WITH THE ORIGINAL PARTS AS DESIGNED. IT IS YOUR DUTY TO MAKE SURE ANY PARTS YOU BUY ARE INSTALLED CORRECTLY AND THAT NEITHER REPLACEMENTS NOR ORIGINALS ARE ALTERED OR CHANGED. This is why we say return it to Colt's. YOUR GUN IS A COMPLEX TOOL WITH MANY PARTS THAT MUST RELATE CORRECTLY TO OTHER PARTS. PUTTING A GUN TOGETHER WRONG OR WITH MODIFIED PARTS CAN RESULT IN A DAMAGED GUN, DANGER, AND INJURY OR DEATH TO YOU AND OTHERS THROUGH MALFUNCTION. ALWAYS LET A QUALIFIED GUNSMITH WORK ON YOUR GUN AND CHECK ANY WORK YOU THINK WAS NOT PERFORMED BY A GUNSMITH. We at Colt think this is a small price to pay for firearms safety.

**SAFETY DEPENDS ON YOU**

**NOTE:** Various Federal and State laws and local ordinances govern the transfer and transportation of firearms, so take the advice of the Dealer in your state on how to send your firearm to Colt's. Before shipping your pistol, here are some important points to remember:



**1. CAUTION: MAKE SURE THAT THE MAGAZINE AND PISTOL ARE NOT LOADED.**

2. Write a letter explaining the problem and your requirements in as much detail as possible. Include the model name and serial number of your pistol together with your return address, then enclose it with the empty pistol in the Colt packaging case or a well padded package.

3. Do not send presentation boxes, accessories or ammunition.

4. Colt's address for receiving packages is: CMCI  
Talcott Road  
West Hartford, CT 06110

5. Do not indicate the contents, or include "COLT" in the address on the package so that an inquisitive thief is not attracted to it by such information.

6. Insure the package contents against loss or theft.



This section is provided so that you may identify names of parts for your own interest. However, for adjustment, repair, or spare parts information, see Section 5, "Servicing and Repair."

See page 46 for 380 Auto illustration.

See page 47 for 380 Auto description of parts.

See page 48 for Pocket Nine illustration.

See page 49 for Pocket Nine description of parts.

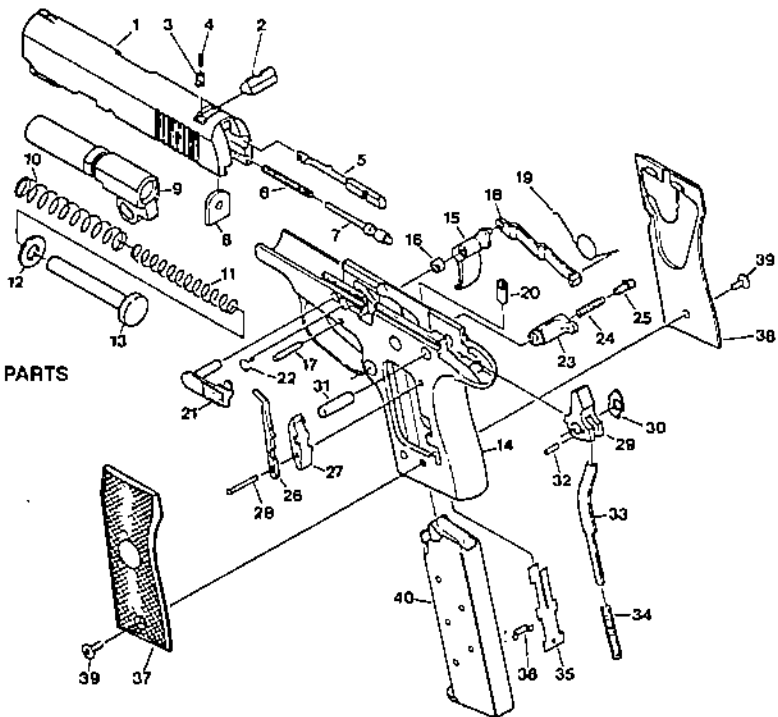


FIGURE 17-PONY PARTS  
ILLUSTRATION

## DESCRIPTION – 380 Auto

1. Slide
2. Sight, Rear
3. Lock, Firing Pin
4. Spring, Firing Pin Lock
5. Extractor
6. Spring, Firing Pin
7. Pin, Firing
8. Stop, Firing Pin
9. Barrel
10. Spring, Recoil Outer
11. Spring, Recoil Inner
12. Washer, Recoil Spring Guide
13. Guide, Recoil Spring
14. Receiver
15. Trigger
16. Spacer, Trigger
17. Pin, Trigger
18. Drawbar
19. Spring, Drawbar
20. Disconnecter
21. Stop, Slide
22. Spring, Slide Stop
23. Catch, Magazine
24. Spring, Trigger and Magazine Catch
25. Lock Magazine Catch
26. Ejector
27. Sear
28. Pin, Sear
29. Hammer Assembly
30. Plate, Hammer
31. Pin, Hammer
32. Pin, Strut
33. Strut, Hammer
34. Spring, Hammer
35. Spring, Sear
36. Clip, Spring
37. Stock Assembly L.H.
38. Stock Assembly R.H.
39. Screw
40. Magazine Assembly

**SAFETY DEPENDS ON YOU**

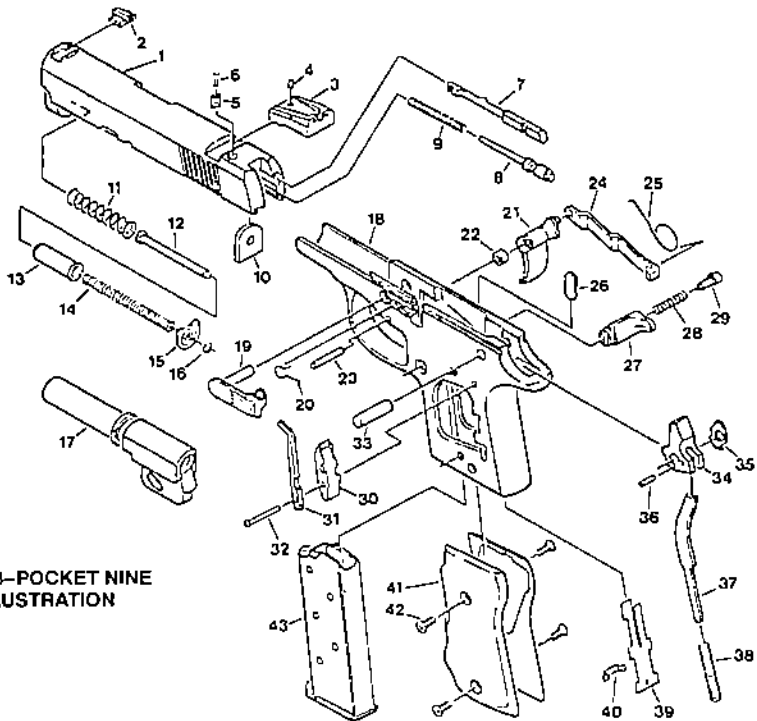


FIGURE 18—POCKET NINE  
PARTS ILLUSTRATION

## DESCRIPTION – Pocket Nine

1. Slide
2. Front Sight
3. Rear Sight
4. Locking Screw, Rear Sight
5. Lock, Firing Pin
6. Spring, Lock
7. Extractor
8. Firing Pin
9. Spring, Firing Pin
10. Stop, Firing Pin
11. Spring, Recoil, Outer
12. Guide, Recoil Spring
13. Cup, Recoil Spring
14. Spring, Recoil, Inner
15. Pad, Recoil Spring
16. C Clip
17. Barrel
18. Receiver
19. Stop, Slide
20. Spring, Slide Stop
21. Trigger
22. Spacer, Trigger
23. Pin, Trigger
24. Drawbar
25. Spring, Drawbar
26. Disconnect
27. Catch, Magazine
28. Spring, Magazine Catch
29. Lock Magazine Catch
30. Sear
31. Ejector
32. Pin, Sear
33. Pin, Hammer
34. Hammer
35. Plate, Hammer
36. Pin, Strut
37. Strut, Hammer
38. Spring, Hammer
39. Spring, Sear
40. Clip, Spring
41. Grip Set
42. Screw, Grip
43. Magazine Assembly

**SAFETY DEPENDS ON YOU**

Our Colt Custom Shop offers a wide range of special services such as engraving, inlaying and special serializing to the same high standard of quality long synonymous with the name "COLT". Sometimes modifications, which meet our customer's special requirements, necessitate deviations from standard design and manufacturing tolerances which result in functional differences from a standard gun. Consequently, this instruction manual does not apply to a customized gun unless its applicability has been confirmed by the Colt Custom Shop. For further information, write to Colt Custom Shop, P.O. Box 1868, Hartford, Connecticut 06144-1868, USA.

## **FIREARM RECORD**

Coit Model \_\_\_\_\_

Serial No. \_\_\_\_\_

Caliber \_\_\_\_\_

Purchased  
from \_\_\_\_\_

Date  
Purchased \_\_\_\_\_

Purchase  
Price \_\_\_\_\_

## **WARRANTY STATEMENT**

Based on Magnuson-Moss Warranty Act, Colt offers no express warranty on its product line. However, Colt recognizes its obligations concerning implied warranty. Colt also stands behind its products as it has historically, and will continue to provide service to its product line as it has over the years. Colt products will be serviced for a period of one year from the date of retail purchase, for defects in materials or workmanship, at no charge to the purchaser. Be sure to retain your sales slip as proof of purchase date when making a claim.



## **HEALTH AND ENVIRONMENTAL WARNING**

Discharging firearms in poorly ventilated areas, cleaning firearms, or handling ammunition may result in exposure to lead and other substances known to cause birth defects, reproductive harm, cancer, and other serious physical injury. Have adequate ventilation at all times. Wash hands thoroughly after exposure.



## NOTES

SAFETY DEPENDS ON YOU

## NOTES

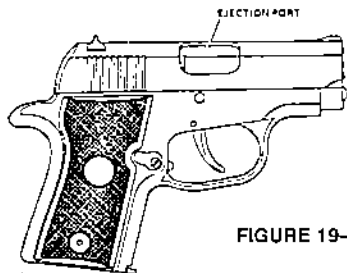


FIGURE 19- PONY®



, the Rampant Colt figure, Pony®, PonyPocketlite™, Pocket Nine™, and all other Colt trademarks are the exclusive property of Colt's Manufacturing Company, Inc. For permission to reprint for noncommercial instructional purposes, prior approval from Colt's is required.

This instruction manual should always accompany this firearm. When you lend, give or sell this firearm, be sure this manual goes with it.

If your instruction manual becomes lost or destroyed, obtain a replacement by writing to **Colt's Manufacturing Company, Inc., Box 1868, Hartford, Connecticut 06144-1868, USA** or call **1-800-962 COLT**. Make a note of the address. When requesting a manual, include the information which is on the left side of your firearm together with its serial number or quote the Part No. as shown on the back cover of this manual.



### **Avvertimento Italiano**

Se c'è qualcosa che non riuscite a capire, rivolgetevi a qualcuno che sia qualificato nel maneggiare in maniera sicura le armi da fuoco.

### **Advertencia en Español**

Para cualquier aclaración de esta manual, consulte con alguna persona perita en el manejo seguro de armas de fuego.

### **Message Secutaire en Francais**

Pour tous renseignements complementaires, veuillez consulter un armurier qualifie dans le manieement de cesarmes.

### **Deutsche Sicherheitshinweise**

Sollten Sie noch weitere Fragen haben, wenden Sie sich bitte an einen Waffenspezialisten.

### **FUNDAMENTAL NRA RULES FOR SAFE GUN HANDLING**

- 1. ALWAYS KEEP THE GUN POINTED IN A SAFE DIRECTION.**
- 2. ALWAYS KEEP YOUR FINGER OFF THE TRIGGER UNTIL READY TO SHOOT.**
- 3. ALWAYS KEEP THE GUN UNLOADED UNTIL READY TO USE.**