

DVG-1 9mm

MODEL DVG

# INSTRUCTION MANUAL

DVG1<sup>®</sup>

DVG1<sup>®</sup>  
RD





DVG-1 9mm



MODEL DVG

# INSTRUCTION MANUAL

DVG1® DVG1®  
RD



## IMPORTANT SAFETY MESSAGE

DO NOT OPERATE THIS FIREARM UNTIL YOU HAVE READ THE ENTIRE  
INSTRUCTION MANUAL.

# **IMPORTANT SAFETY MESSAGE**

## **DO NOT OPERATE THIS FIREARM UNTIL YOU HAVE READ THE ENTIRE INSTRUCTION MANUAL.**

## **INTRODUCTION**

This manual is designed to warn you about the dangers and responsibilities associated with handling firearms. Do not attempt to load, unload or handle this firearm until you have read and understand the contents of this manual.

The warnings in this manual must be followed for your safety as well as for the safety of bystanders.

If after reading these instructions, you still do not understand the firearm entirely, please consult with a firearms instructor for further instruction.



### **DANGER**

Never keep the firearm in the loaded condition when not in use.



### **WARNING**

- Always install the child-resistant lock on the firearm when not in use.
- Never store your firearm in the loaded condition.
- Always store ammunition in a separate location from where the firearm is being stored.
- Always store the firearm and key(s) out of reach of children.
- Always keep your finger(s) out of the trigger area until you are ready to shoot.
- Never point the firearm at anything you do not intend to shoot.
- Always be certain of the target you are shooting at and what is behind it.
- A bullet can travel several miles before stopping.
- Remember, firearm safety is the responsibility of the person handling the firearm.

# CONTENTS

<b>INTRODUCTION</b> .....	01	<b>DISASSEMBLY FOR CLEANING</b> .....	17
<b>CONTENTS</b> .....	02	Cleaning & Oiling .....	20
<b>WARNING MESSAGES</b> .....	01-04	Reassembly .....	21
Legal Warning .....	04	<b>CHILD-RESISTANT LOCK</b> .....	23
Federal Law .....	04	Installing Trigger Guard Lock .....	24
<b>OPERATING INSTRUCTIONS</b> .....	05	<b>STORING AND TRANSPORTING</b> .....	25
Component Names .....	06	<b>LIMITED WARRANTY</b> .....	25
Cycle of Operation .....	07	<b>SERVICE</b> .....	27
Proper Grip Control .....	10	<b>GLOSSARY</b> .....	28
Removing the Magazine .....	11		
Checking & Clearing Chamber .....	12		
Slide Hold Open .....	13		
Ammunition .....	13		
Loading The Magazine .....	14		
Preparing To Shoot .....	15		
Firing .....	15		
Unloading The Firearm .....	15		
Misfire (Failure to feed or eject) .....	16		
Adjusting the Rear Sight .....	16		

## LIMITED WARRANTY STATEMENT

The model DVG firearm has a lifetime warranty and is warranted to be free from defects in material and workmanship.

SCCY Industries is not responsible for any defects caused by careless handling, unauthorized adjustment, modifications, improper ammunition, corrosion, neglect, abuse, normal wear and tear or any unreasonable use. In the event your firearm requires service beyond the warranty due to neglect or improper use, SCCY Industries will contact you and give you an estimate of charges before any work is performed. Any charges must be paid-in-full before the firearm is shipped back to you.

Any such defects will be remedied by SCCY Industries, pending SCCY Industries' inspection of the entire firearm. Service due to defects in material and/or workmanship will be free of charge. Contact the factory at 866-729-7599 and speak with the service department before shipping your firearm.



## DANGER

Children are attracted to and can operate firearms causing severe injuries or death. Prevent child access by always keeping firearms locked away and unloaded when not in use. If you keep a loaded firearm where a child obtains and improperly uses it, you may be fined or imprisoned.



## ADVERTENCIA

A los niños los atraen las armas de fuego y las pueden hacer funcionar. Ellos pueden causarse lesiones graves y la muerte. Evite que los niños tengan acceso a las armas de fuego guardándolas siempre con llave y descargadas cuando no las este utilizando. Si usted tiene una arma de fuego cargada en un hogar en que un niño tiene acceso a ella y la use indebidamente, le pueden dar una multa o enviarlo a la cárcel.



### WARNING

- Failure to read, understand and follow the instructions and warnings accompanying this product may lead to serious bodily injury or death.
- **INSTALLING AN EMPTY MAGAZINE INTO THE FIREARM AND PULLING THE TRIGGER WILL DISCHARGE A CARTRIDGE LEFT IN THE CHAMBER. ALWAYS CHECK AND MAKE SURE THE CHAMBER IS EMPTY WHEN HANDLING A FIREARM.**
- Never carry a firearm, with a manual safety in a loaded condition with the safety in the off position unless you are ready to fire it.
- Always make sure the firearm is unloaded before disassembly is performed.
- Never point a firearm at anything you do not intend to shoot. If you do so, and the firearm discharges, injury, death and/or property damage may occur.
- Always install the child-resistant lock when the firearm is not in use.
- Never handle any firearm that is loaded or unloaded when alcohol or drugs have been consumed.
- This firearm can discharge without a magazine installed.



## WARNING

When using this firearm **always wear eye and ear protection**. This applies to both the shooter and bystanders. **Keep the firearm pointed in a safe direction at all times.**

**NEVER** put your finger(s) on the trigger or in the trigger guard area until you are ready to shoot.

**NEVER** continue to discharge your firearm if it fails to operate properly.

**NEVER** leave a loaded firearm unattended. Someone may discharge the firearm and cause injury, death and/or property damage.

**NEVER** take anyone's word that a firearm is unloaded. Check the firearm's condition yourself.

Be sure of your target. Be sure the area behind the target is clear before discharging your firearm. A bullet can travel several miles. **IF YOU ARE NOT SURE, DO NOT SHOOT.**

Always check the barrel for obstructions or blockages before you shoot your firearm (make sure firearm is unloaded before doing so). Any obstruction, no matter how small, could cause serious damage to the firearm and/or injury or death to shooter or bystanders.

No safety feature can replace proper firearms training, safe gun handling practices and common sense! When handling this or any firearm, always point the firearm in a safe direction. And always handle this or any other firearm as if it were loaded.



## LEGAL WARNING

In most jurisdictions, it is illegal for a person under the age of 18 to possess and/or operate a firearm unless under the direct supervision of an adult. The adult owner of this firearm must ensure that no minors handle this firearm without his/her direct supervision. In some states you may be fined and/or imprisoned.



## FEDERAL LAW

It is unlawful to sell a handgun to any person less than 21 years of age. Doing so can result in fines and/or imprisonment.

# OPERATING INSTRUCTIONS

SCCY Industries strongly urges you to review the following procedures. Follow them carefully to learn the basic functions and handling characteristics of your new firearm. It is strongly recommended that you retain these instructions for future reference. If you transfer ownership of this firearm, this instruction manual must be included.

Do not load the firearm until you have read all operating instructions at least one time. If the firearm is loaded, do not attempt to unload the firearm until you have read these instructions (see **Page 15, UNLOADING THE FIREARM**). Throughout the following procedures, always point your firearm in a safe direction. Keep your finger(s) off the trigger and out of the trigger guard area. Grasp and hold the firearm firmly (see **Page 10, PROPER GRIP CONTROL**). Remove the magazine and check the chamber to make certain the firearm is unloaded.

You or anyone you permit to handle this firearm must review and understand the entire instruction manual before handling the firearm. After reading the entire instruction manual, read through it again, this time examining the firearm in an unloaded condition to acquaint yourself with the features described in this manual. If, after reviewing these instructions and examining the firearm, you are unsure of how to safely operate the firearm, contact a certified firearm safety instructor for further instruction. When discharging your firearm, you and bystanders should wear eye and ear protection at all times.



## INFO

The DVG-1 and DVG-1RD is a recoil-operated, striker-fired gun.



# COMPONENT NAMES



# CYCLE OF OPERATION

---

## STEP 1

This section will describe the basic functions of the model DVG-1 pistol. As shown in Figure 1, the firearm is in the ready to shoot configuration. The Model DVG-1 utilizes a Double Action, Striker Fired, (DASF) operating system and will be explained in further detail throughout this section.

**FIGURE 1**



## STEP 2

The initial process in firing, is pressing the trigger to the rear. When the trigger moves to the rear, the trigger-cam moves forward, pulling the trigger bar forward. The trigger bar links the trigger-cam to the fire-control system (FCS). The FCS contains the sear which engages the striker assembly at its short leg portion. (Visible from the underside of the slide at the rearmost portion upon disassembly.) When the pistol is cocked, the pre-loaded striker rests on the sear. When the trigger bar moves forward it pulls the sear downward, allowing the pre-loaded striker assembly to spring forward (See Figure 2).

**FIGURE 2**



## STEP 3

The pre-loaded striker springs forward impacting the primer of the cartridge in the chamber. The powder ignites and burns, creating a gas which pushes the bullet down the barrel. When the bullet exits the barrel, the pistol unlocks and begins to recoil.

**FIGURE 3**



# CYCLE OF OPERATION (CONT.)

## STEP 4

The expanding gasses propel the bullet, down the barrel and drive the empty bullet casing and slide, rearward. This recoil action extracts and ejects the empty bullet casing.

**FIGURE 4**



## STEP 5

After ejecting the empty case, the spring-loaded slide comes forward, stripping a fresh cartridge from the magazine and loading it into the chamber. The short leg of the striker assembly comes to rest against the sear and the pistol is now ready to fire again (See Figure 5).

**FIGURE 5**



# PROPER GRIP CONTROL

When preparing to shoot the firearm, firmly grasp the “grip area” of the firearm as shown in Figure 6. Try to grip the frame as high as possible in the rear of the grip.

**FIGURE 6**



## **DANGER**

The finger(s) must remain clear of the trigger guard area until ready to discharge the firearm.

# REMOVING THE MAGAZINE

Press the magazine release button, as shown in Figure 7, while maintaining a firm grip on the firearm. The magazine will drop freely from the magazine well. Do not allow the magazine to fall on the ground.

To insert a magazine into the firearm, align it with the magazine well and firmly slide it in until it locks into place. Do not force the magazine into the magazine well or strike the magazine base to seat the magazine. Doing so may cause damage to the magazine. The magazine release procedure can be done either in the slide hold position as shown, or with the slide forward and locked.

**FIGURE 7**



**REMOVING THE MAGAZINE DOES NOT REMOVE A CARTRIDGE FROM THE CHAMBER. THIS FIREARM IS CAPABLE OF DISCHARGING WITHOUT A MAGAZINE INSERTED.**

# CHECKING / CLEARING CHAMBER OF AMMUNITION

To view inside the chamber, remove the magazine, and then pull slide to the rear (approximately 1 inch) (see Figure 8). While doing so, always have your finger(s) clear of the trigger area. If a cartridge is present, it will eject. Cycle the slide multiple times to ensure the firearm is unloaded.

Visually inspect inside the chamber and magazine area to see if a cartridge is present. If a cartridge is present, your firearm is ready to be discharged/fired. If you do not intend to shoot at this time, you should unload your firearm including the cartridge in the chamber. Refer to **Page 15, UNLOADING THE FIREARM.**

**FIGURE 8**



## **DANGER**

**Always check the chamber.** Never assume a firearm is unloaded when placing an empty magazine into the firearm. Installing an empty magazine into the firearm and pulling the trigger will discharge a cartridge in the chamber. This firearm will discharge without a magazine installed.

# SLIDE HOLD OPEN

After firing the last cartridge, the slide will remain open (see Figure 9). This allows the operator to visually check the chamber and magazine area to make certain the firearm is empty. If you intend to reload the firearm, insert a loaded magazine into the magazine well. Firmly hold the firearm by the grip area, press down on the slide hold open lever. This will allow the slide to return to its forward, locked position while feeding a cartridge into the chamber. The firearm is now ready to be discharged.

**FIGURE 9**



# AMMUNITION

**FIGURE 10**



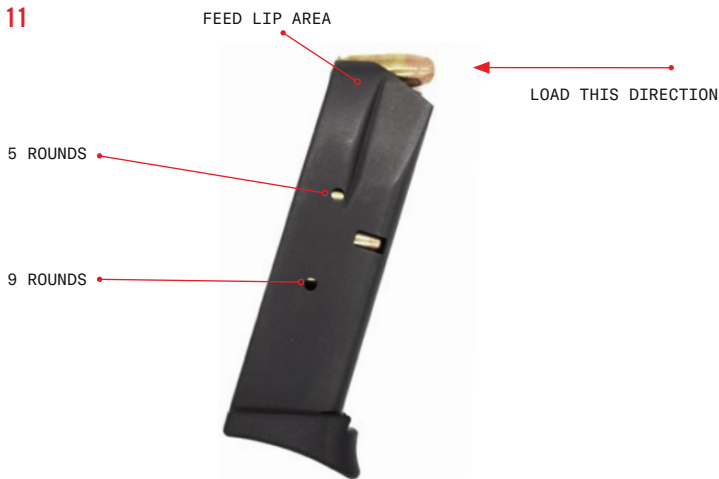
The models DVG-1 & DVG-1RD are designed for 9mm Luger (9x19) ammunition only, seen in Figure 10. The caliber is marked on the barrel and the cartridge. Make certain 9mm Luger ammo is used only. The use of improper size ammunition will cause damage to the firearm and/or injury or death to shooter and/or bystanders. It is highly recommended that top quality factory manufactured ammunition be used exclusively. The use of reloaded or military surplus ammunition can cause malfunctions and possible serious injury to shooter and bystanders. Never use ammunition that is wet, corroded, dirty, bent, crushed, or otherwise damaged. Do not use steel or aluminum cased ammo.



# LOADING THE MAGAZINE

Use the correct ammunition. Insert a cartridge into the feed lip area using light pressure in a downward fashion as shown in Figure 11. Never force cartridges into the magazine. As the magazine fills to capacity (10 cartridges), the amount of pressure increases due to spring preload. When cartridges are visible at the top hole, this indicates there are 5 or more cartridges in the magazine. When cartridges are visible at the bottom hole this indicates the magazine is full. Never force more than 10 cartridges into the magazine. Doing so can cause damage to the magazine and its internal components.

**FIGURE 11**



## WARNING

+P CARTRIDGES SHOULD ONLY BE USED ON A LIMITED BASIS. This type of ammunition creates much higher chamber pressures than standard ammunition.

# PREPARING TO SHOOT

Always point the firearm in a safe direction. All firearms are dangerous if not handled properly. Always wear proper eye and ear protection. Lock slide to the rear before inserting a loaded magazine. With the firearm pointed in a safe direction, insert a loaded magazine into the magazine well until it locks into place. With the slide locked to the rear, either pull the slide back or release the slide hold lever when ready to feed a cartridge from the magazine into the chamber.

**IMPORTANT NOTE: The DVG-1 & DVG-1RD does not have a manual safety, it is ready to fire as soon as a cartridge is fed into the chamber!**

If the firearm is in the slide hold position, insert a loaded magazine. Press the slide hold lever to release the slide. Once you press the lever, let the slide close unassisted; do not grip or touch the slide as it travels forward. This will feed a cartridge from the magazine into the chamber. The firearm is now loaded and ready to be discharged.

# FIRING

Firmly grasp the firearm, point the firearm at the target and carefully pull the trigger. The firearm will discharge, and feed the next cartridge from the magazine into the chamber. The firearm is now ready to be fired again. Each time the trigger is pulled, the firearm will discharge and feed a new cartridge until all cartridges in the magazine and chamber have been fired. When the last cartridge has been discharged, the slide hold lever will lock the slide to the rearward position.

# UNLOADING THE FIREARM

Point the firearm in a safe direction while keeping finger(s) off the trigger and out of the trigger-guard area. First remove the magazine. Pull and hold the slide rearward while applying upward pressure on the slide hold lever. The cartridge in the chamber will eject through the ejection port. Inspect to make certain no cartridge is present in the chamber.



## WARNING

Removing the magazine does not remove a cartridge from the chamber. This firearm is capable of discharging without a magazine inserted.

# MISFIRE - FAILURE TO FEED OR EJECT

Keep the firearm pointed in a safe direction. This will allow adequate time for a delayed cartridge to fire. Unload the firearm following the UNLOADING THE FIREARM procedure on **Page 15**. Remember to remove the magazine from the firearm before ejecting the chambered cartridge. Occasionally a semi-automatic firearm may fail to feed or eject a cartridge. If this should happen, perform the following procedures:

- **Keep fingers off of the trigger and outside trigger area**
- **Keep the firearm pointed in a safe direction during this entire procedure!**
- **Remove the magazine.**
- **Pull the slide rearward and remove any cartridge that is present in the chamber area.**
- **Inspect the cartridge that failed to feed or eject for dents or any other defects. A defective cartridge should be discarded and not used.**
- **Inspect the remaining cartridges in the magazine before continuing to discharge the firearm.**

If failure to feed or eject continues, the firearm may require cleaning and oiling (see **Page 20**). Ensure you are using quality, factory-loaded ammo. If the problem continues, please contact a local gunsmith or SCCY Industries.

# ADJUSTING THE REAR SIGHT

**ENSURE THE GUN IS UNLOADED.** The model DVG's sighting system is adjustable for windage adjustments only (left or right). The front sight cannot be adjusted.

Using a 1/16" allen wrench, loosen (counter-clockwise) the set screw located in the rear sight as shown in Figure 12. To move the point of impact to the left, move the rear sight to the left. To move the point of impact to the right, move the rear sight to the right. Make small gradual adjustments until the firearm is sighted. With the rear sight in its desired location, tighten the set screw (clockwise).

**DO NOT OVERTIGHTEN THIS SCREW!**

**FIGURE 12**



# DISASSEMBLY FOR CLEANING

## STEP 1

**ENSURE THE GUN IS UNLOADED.** Firmly grip the firearm with one hand. With the other hand, pull back the slide while applying upward pressure on the slide hold lever as shown in Figure 13. If there is an empty magazine in the magazine well, the slide hold lever will lock the slide in its rear position. If there is no magazine present, the slide hold lever will need to be pushed up manually to lock into place.

**FIGURE 13**



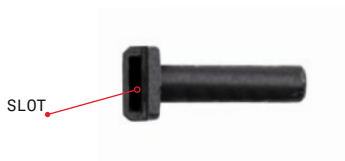
## **DANGER**

NEVER DISASSEMBLE A LOADED FIREARM. DOING SO CAN CAUSE SERIOUS INJURY OR DEATH TO SELF AND/OR BYSTANDERS.

## STEP 2

Using a small flat blade screwdriver (or the rim of a spent cartridge), insert into the slot found in the top of the disassembly pin as shown in Figure 14 and Figure 15. With light pressure pry outward in the direction the arrow displays until the disassembly pin is removed as shown in Figure 16.

**FIGURE 14**



FLAT BLADE SCREWDRIVER

**FIGURE 15**



**FIGURE 16**



# DISASSEMBLY FOR CLEANING (CONT.)

## STEP 3

Gently allow slide to move forward until it comes to rest. While ensuring the muzzle is pointed in a safe direction and away from yourself or others, apply slight rearward pressure on the slide and depress the trigger. The slide should now move freely off the receiver as shown in Figure 17. Remove the recoil spring assembly and barrel for cleaning. For further disassembly, refer to the subassembly exploded views on **pages 20 & 21**.

**FIGURE 17**



### **DANGER**

NEVER DISASSEMBLE A LOADED FIREARM. DOING SO CAN CAUSE SERIOUS INJURY OR DEATH TO SELF AND/OR BYSTANDERS.

# CLEANING AND OILING

To ensure proper operation of the firearm, it is necessary to keep the firearm's internal components clean and lubricated. After completing the disassembly procedure (steps 1 through 3), the firearm is now ready for cleaning.

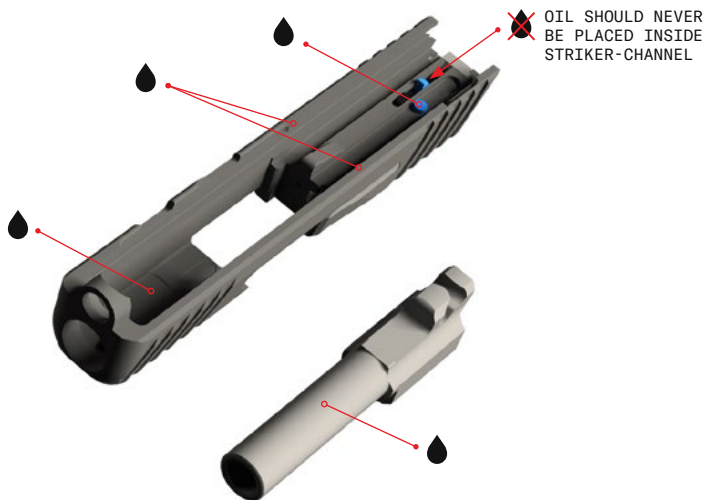
Normal cleaning is easily accomplished by using common gun cleaning fluids, either liquid or aerosol, to remove any gun powder residue. Do not use any water-based household cleaning products such as detergents; they can cause corrosion.

Clean the gun powder residue and any visible carbon buildup from the grip and receiver area. Apply a light coat of oil to the top of the receiver rails where wear is observed. Any further disassembly is not necessary under normal usage.

Apply a light coat of gun oil to the barrel and all internal surfaces as shown in Figure 18. This allows a smoother operation while protecting the firearm from corrosion.

## LUBRICATION POINTS

**FIGURE 18**



# REASSEMBLY

## STEP 1

Assemble the barrel, slide and recoil subassembly, making certain that the recoil subassembly is seated properly as shown in Figure 19.

**Note:** The recoil spring assembly should be inserted with the flat side against barrel lug.

**FIGURE 19**



## STEP 2

Point firearm downward and align the slide with rails on the receiver, slide into place as shown in Figure 20. There should be no magazine present during this process.

**FIGURE 20**



### **DANGER**

ENSURE THERE IS NO CARTRIDGE IN THE CHAMBER DURING REASSEMBLY.



## STEP 3

Push the slide all the way back while manually applying upward pressure on the slide hold lever until it engages and holds the slide into place as shown in Figure 21. It is normal to feel pressure; this is due to compressing the recoil spring subassembly.

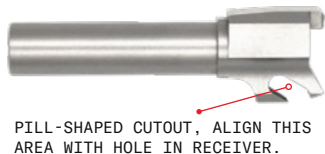
**FIGURE 21**



## STEP 4

Point the firearm down to make certain the barrel is pulled full forward and the pill-shaped cutout in the barrel (see Figure 22) is aligned properly. If not, move the barrel back and forth until it lines up. Then, push the disassembly pin all the way in until it snaps into place as shown in Figure 23.

**FIGURE 22**



**FIGURE 23**



### **DANGER**

MAKE SURE THERE IS NO CARTRIDGE IN THE CHAMBER DURING REASSEMBLY.

## REASSEMBLY (CONT.)

### STEP 5

Making certain the disassembly pin is snapped into location (all the way in) as shown in Figure 24; pull down on the slide hold lever, allowing the slide to move forward to the locked position. Before loading, you should manually check the operation of the slide, barrel and firing system to ensure the firearm is assembled properly. When the slide is pulled rearward and released, the barrel should unlock and lock. Test the firing system by pulling the trigger several times.

FIGURE 24



## CHILD-RESISTANT LOCK

Your pistol is supplied with a custom-fitted, child-resistant trigger guard lock, as shown in Figure 25, designed specifically for your pistol model. In addition, the lock is supplied with 2 keys. NEVER INSTALL THE LOCK ON A LOADED FIREARM.

FIGURE 25



The trigger guard lock should always be installed on the firearm when the firearm is not in use.

Should the trigger guard lock become damaged or lost, SCCY Industries will replace it for just shipping and handling charges. Some states require that all firearms be locked when the firearm is not in use.

When the lock is in the open position, the key stays with the lock and cannot be removed. The trigger guard lock can be installed on the firearm with or without the magazine present.

# INSTALLING THE TRIGGER GUARD LOCK

## STEP 1

With the trigger lock in the open position, place the back half of the lock on the trigger guard as shown in Figure 26. Make certain the trigger fits between the two housings.

FIGURE 26



## STEP 2

While firmly holding the firearm and back of the lock with one hand, use the free hand to swing the front of the lock closed. The two halves of the lock should now be mated securely around the firearm's trigger guard as shown in Figure 27.

FIGURE 27



## STEP 3

While firmly holding the two lock halves closed with one hand, use the free hand to turn the key clockwise (right) to the lock position. Now the key can be removed.

# STORING AND TRANSPORTING

Always store your firearm with the child-resistant lock installed. Keep the firearm and keys in separate places out of reach of children. Never store your firearm and spare magazine loaded. Never store ammunition with a firearm. Always store firearms and ammunition in separate locations. Prior to transporting your firearm, make certain it is unloaded (see **Page 15, UNLOADING THE FIREARM**). Contact your local law enforcement official for approved methods of firearms transportation. It is unlawful to ship a firearm to anyone other than the manufacturer or from dealer to dealer. If you require shipping your firearm, make certain to make note of the firearm's serial number.



## CAUTION

STORE KEY(S) OUT OF REACH OF CHILDREN.

# LIMITED WARRANTY STATEMENT

## LIMITED WARRANTY ON THE DVG FIREARM:

THIS LIMITED WARRANTY GIVES YOU SPECIFIC LEGAL RIGHTS AND YOU MAY ALSO HAVE OTHER RIGHTS, WHICH VARY FROM STATE TO STATE. THE LIMITED WARRANTY CAN ALSO BE FOUND ONLINE AT [WWW.SCCY.COM/RETURNS-EXCHANGES](http://WWW.SCCY.COM/RETURNS-EXCHANGES) AND IN THE DOCUMENTATION WE PROVIDE WITH THE PRODUCT.

WE WARRANT, AS PROVIDED HEREIN, THAT DURING THE LIFETIME OF THE PRODUCT, THE PRODUCT WILL BE FREE FROM DEFECTS IN MATERIALS AND WORKMANSHIP.

WE LIMIT THE DURATION AND REMEDIES OF ALL IMPLIED WARRANTIES, INCLUDING WITHOUT LIMITATION THE WARRANTIES OF MERCHANTABILITY AND FITNESS FOR A PARTICULAR PURPOSE TO THE DURATION OF THIS EXPRESS LIMITED WARRANTY.

SOME STATES DO NOT ALLOW LIMITATIONS ON HOW LONG AN IMPLIED WARRANTY LASTS, SO THE ABOVE LIMITATION MAY NOT APPLY TO YOU.

OUR RESPONSIBILITY FOR DEFECTIVE GOODS IS LIMITED TO REPAIR OR REPLACEMENT AS DESCRIBED BELOW IN THIS LIMITED WARRANTY STATEMENT.

## WHO MAY USE THIS WARRANTY?

SCCY Industries, LLC, located at 1800 Concept Court, Daytona Beach, FL 32114 (“we”) extend this limited warranty only to the consumer who originally purchased the Product or to a subsequent lawful owner of the purchased SCCY product (“you”).

## WHAT DOES THIS WARRANTY COVER?

This limited warranty covers defects in materials and workmanship of the DVG pistol manufactured and sold by SCCY (the “product”) for the Warranty Period as defined below.

LIMITED WARRANTY STATEMENT CONTINUED ON NEXT PAGE.

## **WHAT DOES THIS WARRANTY NOT COVER?**

This limited warranty does not cover any damage due to: (a) careless handling, (b) unauthorized adjustments, (c) modifications, (d) improper ammunition, (e) corrosion, (f) neglect, (g) abuse, (h) transportation; (i) improper storage; (j) improper use; (k) failure to follow the product instructions or to perform any preventive maintenance; (l) normal wear and tear; (m) unreasonable use, or (n) external causes such as accidents or other actions or events beyond our reasonable control or the reasonable use of the product.

You will void this limited warranty by modifying the product or by adding accessories, even if such accessories or modifications are sold by SCCY, including without limitation grip modules purchased from SCCY.

If your SCCY product purchase includes accessories which were not manufactured by SCCY (for example, sights and grips), such accessories are expressly excluded from SCCY's limited warranty. If the manufacturer of the accessory offers a warranty, such warranty will be your sole remedy as to claims regarding the accessory. To the extent reasonably possible, SCCY will provide you with a copy of or a link to the accessory warranty on SCCY's website. If you have any issues or problems with the accessory, please adhere to that manufacturer's warranty requirements to preserve any and all rights.

## **WHAT IS THE PERIOD OF COVERAGE?**

This limited warranty starts on the date of original purchase of the product and will terminate upon the date on which the first denial of a warranty claim is made (the "Warranty Period"). We may change the availability of this limited warranty at our discretion, but any changes will not be retroactive.

## **WHAT ARE YOUR REMEDIES UNDER THIS WARRANTY?**

With respect to any defective and covered product during the Warranty Period, we will, in our sole discretion, either: (a) repair such product (or the defective part) free of charge or (b) replace such product (or the defective part) free of charge. The shipping and handling fees for you to send the product to us shall be borne by you. We will pay for shipping and handling fees to return the repaired or replacement product to you.

## **HOW DO YOU OBTAIN WARRANTY SERVICE?**

To obtain warranty service, you must either call 866-729-7599 or email SERVICE@SCCY.COM and speak with the service department before shipping the product during the Warranty Period to obtain a Return Merchandise Authorization ("RMA") number. No warranty service will be provided without a RMA number.

The risk of loss and shipping and handling costs to deliver the product to SCCY shall be borne by you. The risk of loss and shipping and handling costs to deliver the product back to you shall be borne by SCCY.

## **LIMITATION OF LIABILITY**

THE REMEDIES DESCRIBED ABOVE ARE YOUR SOLE AND EXCLUSIVE REMEDIES AND OUR ENTIRE LIABILITY FOR ANY BREACH OF THIS LIMITED WARRANTY. OUR LIABILITY SHALL UNDER NO CIRCUMSTANCES EXCEED THE ACTUAL AMOUNT PAID BY YOU FOR THE DEFECTIVE PRODUCT, NOR SHALL WE UNDER ANY CIRCUMSTANCES BE LIABLE FOR ANY CONSEQUENTIAL, INCIDENTAL, SPECIAL OR PUNITIVE DAMAGES OR LOSSES, WHETHER DIRECT OR INDIRECT.

SOME STATES DO NOT ALLOW THE EXCLUSION OR LIMITATION OF INCIDENTAL OR CONSEQUENTIAL DAMAGES, SO THE ABOVE LIMITATION OR EXCLUSION MAY NOT APPLY TO YOU.

# SERVICE

Should your model DVG-1 or DVG-1RD require service or maintenance, contact us by email, and if necessary, mailing address below.

**Before sending firearm for service, be sure to contact the service department to obtain a Returned Merchandise Authorization (RMA). An RMA is required for any returns or service to your firearm.**

To ensure a quick turn-around, enclose a note stating the problem you are experiencing with your firearm. Be sure to include the firearm's return address and contact telephone number. **All firearm shipments must be received by and signed for by an adult.** To expedite questions regarding the status of your firearm while being serviced, please record the firearm's serial number and refer to it while speaking to the service technician.

**All returned firearms shipped back to their owner must be received by and signed for by an adult (21 years of age or older) or the shipment will be returned.**

**SERVICE@SCCY.COM**

For service please email [service@sccy.com](mailto:service@sccy.com).

**SCCY INDUSTRIES**

1800 CONCEPT COURT  
DAYTONA BEACH, FL 32114



## **BEFORE SHIPPING FIREARMS TO SCCY:**

Record and store the model DVG-1 serial number, keep in a safe place before shipping back to the factory.

# GLOSSARY



## FREQUENTLY ASKED QUESTIONS

Visit [sccy.com/support/faqs](https://www.sccy.com/support/faqs) for a list of frequently asked questions

# GLOSSARY



This glossary is to define terms as used throughout this manual and to help the SCCY owner better understand firearm terminology.

**AMMUNITION:** (Ammo/Cartridge) A casing, bullet, primer, and gun powder becomes a cartridge and is used in a firearm. Ammunition comes in many different calibers.

**BARREL:** The firearm component through which the bullet travels.

**BORE:** The hole in the barrel that is rifled.

**BREECH FACE:** A face on the slide that supports the cartridge in the barrel.

**CARTRIDGE:** See Ammunition.

**CHAMBER:** A portion of a barrel that houses a cartridge.

**DISCHARGE:** The firing of a firearm.

**EJECTOR:** A component of the receiver which contacts an empty case.

**EXTRACTOR:** A component of the slide of the firearm that pulls the cartridge out of the chamber.

**FEEDING:** The process in which the slide pushes a cartridge from the magazine into the chamber.

**FEED LIPS:** The upper portion of the magazine that retains and positions the cartridges to the chamber for feeding.

**GRIP:** The portion of a frame where the firearm is held.

**MAGAZINE:** An accessory of a firearm that stores live cartridges before being discharged.

**MAGAZINE RELEASE:** A component of a firearm used to hold the magazine in place and that, when pushed, releases the magazine.

**MAGAZINE WELL:** The hollow portion of a firearm's grip that houses the magazine.



**+P AMMUNITION:** Ammunition that has been loaded to a higher internal pressure than is standard for ammunition of its caliber but less than proof rounds.

**PRIMER:** The component of ammunition that, when struck by the firing pin, ignites the gunpowder inside the cartridge.

**RECEIVER:** The serialized component of a firearm that all the other firearm components attach to.

**RECOIL:** The reaction felt by the shooter after discharging a firearm.

**RIFLING:** A series of spiraled grooves in the bore portion of a barrel, causing the bullet to spin.

**SLIDE:** A major component of the firearm that moves back and forward to feed and eject cartridges. This component also contains the barrel, striker assembly and recoil spring assembly.

**SERRATIONS:** A portion on the front and back of the slide that the shooter grips when pulling back the slide.

**SERIAL NUMBER:** A unique number given to each firearm used to identify it.

**SPRING PRELOAD:** Forces generated by spring pressure.

**STRIKER ASSEMBLY:** Pre-loaded firing pin assembly which moves forward when the trigger is pulled.

**TRIGGER BAR:** A component of a firearm firing mechanism that links the trigger to the sear assembly.

**WINDAGE:** The left and right adjustment of a rear sight on a firearm.

# THANK YOU

Thank you for purchasing SCCY Industries Model DVG. We at SCCY Industries are committed to supplying the firearms industry with the finest possible products. If you follow these instructions carefully, the Model DVG should give you many years of fine service.

Before this firearm left the factory, it was test-fired, inspected, and packaged. SCCY Industries cannot control the subsequent handling when your firearm left the factory. Therefore, examine your firearm carefully before firing it.



[WWW.SCCY.COM](http://WWW.SCCY.COM)

1800 CONCEPT CT,  
DAYTONA BEACH, FL 32114

(386) 322-6336

 **MADE IN AMERICA**