



Safe ownership is your responsibility. Please thoroughly read and understand this manual before loading your firearm.

Keep firearms and ammunition away from children. Lock unloaded firearms and ammunition securely in separate locations.

This manual should always accompany your firearm and be transferred with it upon change of ownership. This is your responsibility and may protect you from future liability.

100 Springdale Road  
Westfield, MA 01085

## INSTRUCTION MANUAL

### STANCE

**WARNING! DO NOT ATTEMPT TO LOAD AND SHOOT YOUR FIREARM UNTIL YOU HAVE THOROUGHLY READ THIS INSTRUCTION MANUAL AND ARE FULLY FAMILIAR WITH ITS CONTENTS**

For more information, please visit our web site at [www.savagearms.com](http://www.savagearms.com)

Download a QR Code reader app for your Smartphone  
then snap this to open Savage Arms' homepage



[www.savagearms.com/warranty](http://www.savagearms.com/warranty)

Congratulations on the purchase of your new firearm. You are now part of the Savage Arms, Inc. family of quality firearms. With reasonable care, your firearm should deliver years of reliable service.

THIS INSTRUCTION GUIDE IS EXTREMELY IMPORTANT. The safety warnings and instructions in this guide are very important. By understanding the dangers involved in the use of any firearm and by taking the necessary precautions, you can use your Savage firearm in a safe manner. However, failure to read, understand, and obey any of the warnings may result in serious injury or death to you or others, as well as severe damage to the firearm or other property.

## **SAFETY FIRST – IT’S YOUR OBLIGATION!**

***ABOVE ALL – REMEMBER THAT A FIREARM IS A MECHANICAL DEVICE WITHOUT THE ABILITY TO THINK OR ACT ON ITS OWN. IT WILL DO WHAT YOU MAKE IT DO, WHETHER YOUR ACTION IS SAFE OR UNSAFE. IT DOES NOT KNOW THE DIFFERENCE BETWEEN A WISE ACTION OR ONE WHICH WILL PUT SOMEONE’S LIFE OR PROPERTY IN DANGER. THE ONLY SURE WAY IT CAN BE SAFE IS IF YOUR ACTIONS ARE SAFE. IT ONLY TAKES ONE CARELESS MOMENT TO RESULT IN A TRAGEDY THAT YOU WILL HAVE TO LIVE WITH FOR THE REST OF YOUR LIFE.***

**WARNING!** DO NOT ATTEMPT TO LOAD AND SHOOT YOUR FIREARM UNTIL YOU HAVE THOROUGHLY READ THIS INSTRUCTION GUIDE AND ARE FULLY FAMILIAR WITH ITS CONTENTS.

**KNOW HOW TO LOCATE AND OPERATE ANY SAFETY MECHANISMS.**

**THOROUGHLY CLEAN THE INSIDE OF THE BARREL AND CHAMBER PRIOR TO LOADING WITH AMMUNITION.**

**WHEN CARRYING A LOADED FIREARM, THE SAFETY MUST ALWAYS BE IN THE FULL SAFE POSITION.**

**THE ONLY TIME YOU CAN BE ABSOLUTELY CERTAIN THAT A FIREARM CANNOT FIRE IS WHEN THE ACTION IS OPEN AND IT IS COMPLETELY EMPTY OF AMMUNITION.**

## Table of Contents

YOUR SAFETY OBLIGATIONS .....	3
THE RULES OF SAFE FIREARM HANDLING .....	3
FEATURE IDENTIFICATION .....	10
TWO POSITION MANUAL SAFETY.....	10
AMMUNITION .....	11
INSPECTING YOUR PISTOL BEFORE USE.....	12
PREPARATION FOR FIRING (LOADING) .....	14
FIRING YOUR PISTOL.....	16
CLEARING MISFIRES AND CHECKING FOR “SQUIB” LOADS .....	17
LODGED BULLET OR BARREL OBSTRUCTION .....	19
UNLOADING YOUR PISTOL.....	20
FIELD STRIPPING & DISASSEMBLY .....	22
LUBRICATION OF YOUR PISTOL.....	27
RE-ASSEMBLY AFTER FIELD STRIPPING .....	28
FUNCTION TEST.....	30
SIGHT ADJUSTMENT.....	32
BACKSTRAP ADJUSTMENT.....	32
MAGAZINE DISASSEMBLY & RE-ASSEMBLY .....	32
CLEANING & MAINTENANCE TIPS .....	34
MAINTENANCE BEFORE STORAGE .....	35
STATEMENT OF LIMITED WARRANTY .....	35
EXCLUSIONS AND LIMITATIONS .....	36
RETURNING A FIREARM .....	36

For more information, and for expanded instruction guides, please visit [www.savgearms.com](http://www.savgearms.com)

Understanding the dangers presented by the use of any firearm, and taking precautions described in this manual, will help you achieve a high level of safety. On the other hand, your failure to follow the instructions and warnings contained in this manual can result in serious injury or death to you or others, as well as severe damage to the firearm or other property.

Savage Arms, Inc. shall not be responsible for damage to the firearm, physical injury to you or others, or property damage resulting in whole or in part from any of the following: criminal or negligent discharge of the firearm; improper or careless handling; unauthorized modifications or alterations; use of improper, hand-loaded or reloaded ammunition; use of remanufactured ammunition; the failure to properly maintain your firearm, including allowing corrosion build-up, abuse, neglect, or other influences that are beyond our control.

## YOUR SAFETY OBLIGATIONS

**WARNING!** You must follow all instructions and safety rules in this manual to ensure the safe use of your firearm. Failure to do so, will cause serious personal injury or death to you or others, and cause damage to property.

The first priority of every firearm owner should be safety, regardless of the situation. As a firearm owner, you are accepting a very serious responsibility. Your ability to safely operate a firearm can be the difference between life and death. If you are uncertain about the operation of your firearm for any reason, please contact Savage Arms at 1-800-370-0708 before proceeding with its operation.

There is **NO** excuse for careless handling of your firearm. **ALWAYS** handle a firearm with respect for its potential danger.

This owner's manual is designed to assist you in learning how to properly use and care for your Savage Arms pistol. Only after you are certain that you fully understand this manual and can properly follow its instructions, are you prepared to practice loading and firing your firearm with live ammunition.

Having a firearm in your possession is a serious job; you cannot guess and you cannot forget. You must know how to use your firearm safely. If you have any doubts about your ability to handle or use this firearm safely, you should seek supervised, professional instruction. Contact your firearms dealer, local law enforcement agency, and/or your local sportsman's club for

further information on safe firearm handling.

Certified training is also available through various national firearms related organizations.

Most importantly, **ALWAYS** follow the rules of safe firearm handling.

## THE RULES OF SAFE FIREARM HANDLING

**WARNING!** The following rules should be followed at all times. They must govern your actions wherever and whenever you are involved with firearms. Please take the time to review and understand these rules. If you do not understand something, please contact Savage Arms or any of the various national firearms related organizations.

### 1. Always Keep the Muzzle Pointed in a Safe Direction.

This is the most basic safety rule. If everyone handled a firearm so carefully that the muzzle never pointed at something they didn't intend to shoot, there would be virtually no firearm accidents. It's as simple as that, and it's up to you.

Never point your firearm at anything you do not intend to shoot. This is particularly important when loading or unloading a firearm. In the event of an negligent discharge, no injury can occur as long as the muzzle is pointing in a safe direction.

A safe direction means a direction in which a bullet cannot

possibly strike anyone, taking into account possible ricochets and the fact that bullets can penetrate walls and ceilings. The safe direction may be “up” on some occasions or “down” on others, but never at anyone or anything not intended as a target. Even when “dry firing” with an unloaded firearm, you should never point the firearm at an unsafe target.

Make it a habit to know exactly where the muzzle of your firearm is pointing at all times, and be sure that you are in control of the direction in which the muzzle is pointing, even if you fall or stumble. This is your responsibility, and only you can control it.

## **2. Firearms Should be Unloaded When Not Actually in Use.**

Firearms should be loaded only when you are in the field or on the target range or shooting area, ready to shoot. When not in use, firearms and ammunition should be secured in a safe place, separate from each other. It is your responsibility to prevent children and unauthorized adults from gaining access to firearms or ammunition.

Whenever you handle a firearm or hand it to someone, always remove the magazine and open the action immediately, and visually check the chamber to be certain it does not contain any ammunition. Always keep actions open when not in use. Never assume a firearm is unloaded — check for yourself! This is considered a mark of an experienced firearm handler!

Never cross a fence, climb a tree or perform any awkward action with a loaded firearm . While in the field, there will be times when common sense and the basic rules of firearms safety will require you to unload your firearm for maximum safety. Never pull or push a loaded firearm toward yourself or another person. There is never any excuse to carry a loaded firearm in a scabbard, a holster not being worn or a firearm case. When in doubt, unload your firearm!

- Safe storage of a firearm is just as important as safe handling. Never store a firearm loaded. Be sure to keep your firearm in a secure locked place where unauthorized persons and children cannot gain access without your knowledge. Take extra precaution if there are children nearby. Store your firearms in a locked safe or some other location that physically prevents unauthorized persons and children from gaining access.
- Failure to secure a handgun locked where a child can access it is illegal in some states.
- Ammunition should be stored and locked in a location separate from your firearm. Never leave an unsecured firearm or ammunition in a car, closet, dresser, or under the bed. It is your responsibility to make sure that children and others unfamiliar with firearms cannot access your firearm and ammunition. Locked storage is also a must to deter the theft of your valuable firearm.

### 3. Do Not Rely on Your Firearm's Safety.

**DANGER!** Treat every firearm as though it can fire at any time. The "safety" on any firearm is a mechanical device which, like any such device, can become inoperable at the worst possible time. Besides, by mistake, the safety may be "off" when you think it is "on." The safety serves as a supplement to proper firearm handling but cannot possibly serve as a substitute for common sense. You should never handle a firearm carelessly and assume that the firearm won't fire just because the "safety is on."

Never touch the trigger on a firearm until you actually intend to shoot. Keep your fingers away from the trigger while loading or unloading. Never press the trigger on any firearm with the safety in the "safe" position or anywhere in between "safe" and "fire." It is possible that the firearm can fire at any time, or even later when you release the safety, without you ever touching the trigger again.

Never place the safety in between positions, since half-safe is unsafe. Keep the safety fully "on" until you are absolutely ready to fire.

Regardless of the position of the safety, any blow or jar strong enough to actuate the firing mechanism of a firearm can cause it to fire. This can happen even if the trigger is not touched, such as when a firearm is dropped. Never rest a loaded firearm against any object because there is always the possibility that it

will be jarred or slide from its position and fall with sufficient force to discharge. The only time you can be absolutely certain that a firearm cannot fire is when the action is open and it is completely empty. Again, never rely on your firearm's safety. You and the safe firearm handling procedures you have learned are your firearm's primary safeties.

**WARNING:** Not all Savage Arms pistols have a manual safety.

### 4. Be Sure of Your Target and What Is Beyond It.

No one can call a shot back. Once a firearm fires, you have given up all control over where the shot will go or what it will strike. You are responsible for each projectile fired. Don't shoot unless you know exactly what your shot is going to strike. Be sure that your bullet will not injure anyone or anything beyond your target. Firing at a movement or a noise without being absolutely certain of what you are shooting at constitutes disregard for the safety of others. No target is so important that you cannot take the time before you press the trigger to be absolutely certain of your target and where your shot will stop.

Be aware that even a 22 short bullet can travel over 1 1/4 miles and a high velocity cartridge, such as a 30-06, can send its bullet more than 3 miles. Shotgun pellets can travel 500 yards, and shotgun slugs have a range of over half a mile.

You should keep in mind how far a bullet will travel if it misses your intended target or ricochets in another direction.

## **5. Use Proper Ammunition.**

**DANGER!** You must assume the serious responsibility of using only the correct ammunition for your firearm. Read and heed all warnings, including those that appear in the firearm's owner's manual and on the ammunition boxes.

Using improper or incorrect ammunition can destroy a firearm and cause serious personal injury. It only takes one cartridge of improper caliber or gauge to damage your firearm, and only a second to check each one as you load it. Be absolutely certain that the ammunition you are using matches the specifications that are contained within the firearm's owner's manual and the manufacturer's markings on the firearm.

Firearms are designed, manufactured and proof tested to standards based upon those of factory loaded ammunition. Handloaded or reloaded ammunition deviating from pressures generated by factory loads or from component recommendations specified in reputable handloading manuals can be dangerous, and can cause severe damage to firearms and serious injury to the shooter.

Ammunition that has become very wet or has been submerged in water should be discarded in a safe manner. Do not spray oil

or solvents on ammunition or place ammunition in excessively lubricated firearms. Poor ignition, unsatisfactory performance or damage to your firearm and harm to yourself or others could result from using such ammunition.

If the sound upon firing is unusually quiet or recoil is too soft, unload and inspect for a bore obstruction. If the sound upon firing is unusually loud or recoil is extreme, unload and inspect the firearm for damage.

Form the habit of examining every cartridge you put into your firearm. Never use damaged or substandard ammunition — the money you save is not worth the risk of possible injury or a damaged firearm.

## **6. If Your Firearm Fails to Fire When the Trigger is Pressed, Handle With Care.**

Occasionally, a cartridge may not fire when the trigger is pressed. If this occurs, keep the muzzle pointed in a safe direction. Keep your face away from the ejection port. Then, carefully open the action, unload the firearm and dispose of the cartridge in a safe way.

Any time there is a cartridge in the chamber, your firearm is loaded and ready to fire even if you've tried to shoot and it did not fire. It could fire at any time, so you must always remember Rule #1 and watch the muzzle!



## **7. Always Wear Eye and Ear Protection When Shooting.**

All shooters and spectators should wear protective shooting glasses and some form of hearing protectors while shooting. Exposure to shooting noise can damage hearing, and adequate vision protection is essential. Shooting glasses guard against twigs, falling shot, clay target chips and the rare ruptured case or firearm malfunction. Wearing eye protection when disassembling and cleaning any firearm will also help prevent the possibility of springs, spring tensioned parts, solvents or other agents from contacting your eyes. There is a wide variety of eye and ear protectors available. No target shooter, plinker or hunter should ever be without them.

Most rules of shooting safety are intended to protect you and others around you, but this rule is for your protection alone. Furthermore, having your ears and eyes protected will help improve your enjoyment of the shooting sports.

## **8. Be Sure the Barrel is Clear of Obstructions Before Shooting.**

Before you load your firearm, remove the magazine, open the action and be certain that no ammunition is in the chamber. Be sure the barrel is clear of any obstruction. Even a small bit of mud, snow, excess lubricating oil or grease in the bore can create dangerously increased pressures, causing the barrel to bulge or even burst on firing, which can cause injury or death to the shooter and bystanders. Make it a habit to clean the bore and check for obstructions with a cleaning rod immediately

before you shoot it. If the noise or recoil on firing seems weak or doesn't seem quite "right," cease firing immediately and be sure to check that no obstruction or projectile has become lodged in the barrel.

Placing a smaller gauge or caliber cartridge into a firearm (such as a 20-gauge shell in a 12-gauge shotgun) can result in the smaller cartridge falling into the barrel and acting as a bore obstruction when a cartridge of proper size is fired. This can cause a burst barrel or worse. This is really a case where "haste makes waste." You can easily avoid this type of accident by paying close attention to each cartridge you insert into your firearm.

## **9. Do Not Alter or Modify Your Firearm and Have It Serviced Regularly.**

Firearms are complicated mechanisms that are designed by experts to function properly in their original condition. Any alteration or change made to a firearm after manufacture can make the firearm dangerous and will void any factory warranties. Do not jeopardize your safety or the safety of others by altering the trigger, safety or other mechanism of any firearm or allowing unqualified persons to repair or modify a firearm. You'll usually ruin an expensive firearm. Don't do it!

Your firearm is a mechanical device that will not last forever and is subject to wear. As such, it requires periodic inspection, adjustment and service.

## 10. Learn the Mechanics and Handling Characteristics of the Firearm You Are Using.

Not all firearms are the same. The method of carrying and handling firearms varies in accordance with the mechanical characteristics of each firearm. Since firearms can be so different, never handle any firearm without first having thoroughly familiarized yourself with the particular type of firearm you are using, the safe firearm handling rules for loading, unloading, carrying and handling that firearm, and the rules of safe firearm handling in general.

For example, many handgun manufacturers recommend that their handguns always be carried with the hammer down on an empty chamber. This is particularly true for older single-action revolvers, but applies equally to some double-action revolvers or semiautomatic pistols. You should always read and refer to the owner's manual you received with your firearm, or if you have misplaced the manual, simply contact the Savage Arms at 1-800-370-0708 for a copy.

Having a firearm in your possession is a full-time job. You cannot guess; you cannot forget. You must know how to use, handle and store your firearm safely. Do not use any firearm without having a complete understanding of its particular characteristics and safe use. There is no such thing as a foolproof firearm.

### ALWAYS USE COMMON SENSE!

**WARNING!** Discharging firearms in poorly ventilated areas, cleaning firearms, or handling ammunition may result in exposure to lead, a substance known to cause birth defects, reproductive harm, cancer, and other serious physical injury. Have adequate ventilation at all times. Wash your hands thoroughly after exposure to your firearm, ammunition or cleaning supplies.

**WARNING!** Never shoot while intoxicated or on drugs. To effectively follow the rules of safe firearm handling, you must shoot sober. Firearms and alcohol/drugs are a deadly combination. Never consume anything that could impair your judgment or physical coordination when using a firearm.

**DANGER:** Unload your firearm before installing any locking device.

**NOTICE:** LOCKING DEVICES. This pistol was originally sold with a key operated locking device. Never install the locking device inside the trigger guard or in a way that makes it possible for the locking device to press the trigger. Do not leave the keys in the lock. To maximize effectiveness and reduce the chances of malfunction or damage to a firearm, refer to the locking device manufacturer's instructions for installation and removal.

Figure 1 illustrates the path for the lock to pass through indicated by the red arrows. Make sure that the locking device is outside of the trigger guard and keys are NOT stored in the lock.



Figure 1

**WARNING!** Failure to follow any of these safety rules may cause personal injury or death to the shooter or bystander and damage to property. Do not use a firearm until you fully understand and practice the rules of safe firearm handling. If you have any questions about the safe use of a Savage Arms firearm, please contact Savage Arms.

## SAFETY RESPONSIBILITY NOTES:

## FEATURE IDENTIFICATION



## TWO POSITION MANUAL SAFETY

Some Savage Arms Stance pistols are equipped with a manual thumb safety lever. Not all models are equipped with this manual thumb safety. If your Stance pistol is equipped with a manual thumb safety, be sure to understand its operation as described below.

- The manual thumb safety prevents the sear from actuating when the thumb safety lever is in the “ON” or “SAFE” position (“S”).
- Push the thumb safety lever fully upward to put it in “ON” or “SAFE” position – Figure 2.

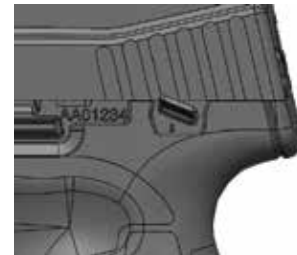


Figure 2

- Lower the thumb safety lever fully to put it in “OFF” or “FIRE” position – Figure 3. In this condition, the pistol can be fired when the trigger is pressed.

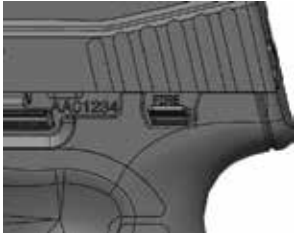


Figure 3

- The slide can still be opened and closed regardless of the position of the safety lever.
- **CAUTION:** The magazine can be removed and installed in the pistol regardless of the position of the safety lever.
- **CAUTION:** The pistol can be loaded and unloaded regardless of the position of the safety lever.

## AMMUNITION

Use only the correct ammunition that matches what is marked on the barrel. The use of reloads, handloads, military surplus or any other commercial/non-commercial ammunition not manufactured to SAAMI (Sporting Arms and Ammunition Manufacturer's Institute, Inc.) specifications will void the warranty and can cause damage to your pistol, injury or death.

Be sure that any ammunition loaded into the firearm is in good, serviceable condition.

The Stance series of pistols are designed to withstand the ammunition pressures generated by +P rounds as identified by SAAMI. Stance pistols are also proof-tested with +P rounds or "Plus-P". +P ammunition generates pressures in excess of the pressures associated with standard ammunition. Such pressures may affect the wear characteristics and may result in the need for more frequent service.

"Plus-P-Plus" or (+P+) ammunition must never be used in any Savage Arms firearm. NEVER use ammunition with (+P+) markings. This marking indicates that it exceeds established industry standards. This ammunition may vary significantly as to the pressures generated and could be DANGEROUS.

**CAUTION:** Do not use cartridges that are dirty, wet, corroded, bent, or damaged. Do not oil cartridges. Do not spray or use any lubricants, preservatives, or cleaners directly onto cartridges or where excess spray may flow into contact with cartridges. Lubricants or other foreign matter on cartridges can cause potentially dangerous ammunition malfunctions. Be sure to wipe the chamber clean of any oil or preservative before shooting.

**NOTICE:** Some brands of ammunition may create difficulty in extracting spent cartridge cases from the chamber. If this

situation occurs, thoroughly clean the chamber with solvent. If this condition persists, we recommend changing to another brand of ammunition.

## INSPECTING YOUR PISTOL BEFORE USE

**WARNING!** Always keep the muzzle pointed in a safe direction.

**WARNING!** Always ensure that the pistol is unloaded before inspecting.

- If equipped, ensure that the thumb safety lever is in the SAFE position. The manual safety is in the “ON” or “SAFE” position when the lever is in the “up” position - Figure 4.

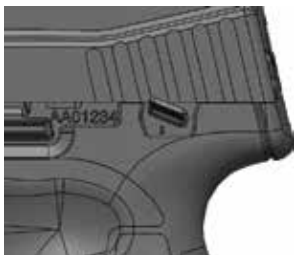


Figure 4

NOTE: NOT ALL MODELS ARE EQUIPPED WITH THIS FEATURE.

- To remove the magazine, grasp the pistol with your finger off the trigger and outside of the trigger guard. Next, point the muzzle in a safe direction, depress the magazine release and remove the magazine – Figure 5.



Figure 5

- To remove the chamber flag, or a cartridge from the chamber, point the muzzle in a safe direction and grasp the serrated sides of the slide from the rear with your thumb and fingers. Next, draw the slide fully rearward in order to extract any cartridge from the chamber – Figure 6. Do NOT obstruct the ejection port because doing so can interfere with ejection of a cartridge and could cause ignition if the ejector hits the primer.



Figure 6

- Lock the slide in the open position by allowing the slide to move slightly forward from the rearmost position while pressing upward on the slide stop – Figure 7.



Figure 7

- Check the barrel chamber to verify it is unloaded by looking through the breech end, from the rear as indicated in Figure 8. NEVER look down the muzzle to look for any obstructions.



Figure 8

- Examine the breech face to ensure that the firing pin is not protruding – Figure 9. Nothing should be visible through the firing pin hole. If the firing pin is protruding, do not attempt to load or fire the firearm. Bring it to a qualified gunsmith for service or contact Savage Arms for service.



Figure 9

- Unload the magazine by holding it with the bullet end of the cartridge pointed in safe direction, away from yourself and others. Press each cartridge forward and out of the magazine - Figure 10.



Figure 10

## PREPARATION FOR FIRING (LOADING)

- Savage Arms has provided you with a magazine designed to operate in your specific model of pistol. Do not interchange magazines from one model pistol to another model pistol.
- Follow instructions in this manual and any other specific instructions which may be marked on, or accompany, a magazine. Failure to use the particular type of Savage Arms magazine specified for your model and caliber of pistol may result in a malfunction.
- Load the magazine by pressing a cartridge head (rear of cartridge) downward on the forward portion of the magazine follower (or downward on the case of the previously loaded cartridge) and sliding the cartridge fully under the lips of the magazine until the cartridge head is against the rear wall of the magazine – Figure 11. Repeat this procedure for the number of cartridges you wish to load, up to the magazine capacity.





Figure 11

**WARNING!** Do not use excessive upward force when inserting a loaded magazine into the pistol. Excessive force can cause the slide to move forward, chambering a round and inadvertently arming the pistol. Do not attempt to load your magazine with more than the specified number of cartridges because doing so can cause feeding problems.

- If equipped, ensure that the thumb safety is in the SAFE position – Figure 12.

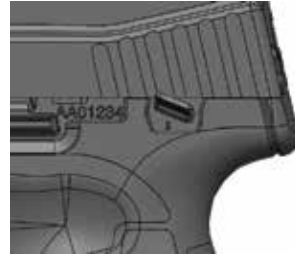


Figure 12

- Insert the loaded magazine into the magazine well in the bottom of the grip frame. Make sure that the magazine is fully and securely inserted in the pistol, apply some removal pressure to the exposed portion of the magazine floor plate.
- With the pistol pointed in a safe direction, pull the slide fully rearward and then release it. The slide should return to a fully forward position. This action is designed to strip a single cartridge from the magazine and seat that cartridge in the chamber of the barrel. The pistol can now be fired by pressing the trigger rearward.
- Always load a round into the chamber by feeding it from the magazine. Never attempt to load the pistol by inserting a round into the open ejection port.

**WARNING!** If a cartridge fails to strip from the magazine or fully seat in the chamber, immediately stop the loading process. Remove the magazine, lock the slide open and verify that the chamber is empty.

- To restore the magazine to full capacity, depress the magazine release and remove the magazine from the pistol. Remember that there is a round in the chamber; therefore, the pistol should be holstered or safely secured during this process without touching the trigger. Load one cartridge into the magazine to replace the cartridge that was chambered.
- Re-insert the loaded magazine into the magazine well of the pistol until it is locked in place. To ensure that the magazine is fully and securely inserted in the magazine well, apply moderate removal pressure to the exposed portion of the magazine floor plate.
- After having completed the above steps, your pistol and its magazine are now fully loaded and will fire when the trigger is pressed. Remember to keep your pistol's muzzle pointed in a safe direction under all circumstances and always keep your finger or any other object away from the trigger and outside the trigger guard until you are ready and intending to discharge your pistol. Never leave a loaded firearm out of your direct control.

**WARNING!** The specific ammunition cartridge suitable for use in your firearm is marked on the barrel. Different cartridge types and calibers are not interchangeable.

**WARNING!** Do not load the pistol until you are ready to use it. Keep your finger off the trigger and outside the trigger guard until you are ready to fire.

## FIRING YOUR PISTOL

**WARNING!** Never point the firearm at any object that you do not intend to shoot.

**NOTE:** Always wear eye and ear protection when shooting. Be sure to always keep body parts away from the magazine and ejection port. Be sure to keep the top of your hand below the beavertail of the grip frame. Moving parts, gases or other debris can escape and may cause burns or cuts under normal operation or in the unlikely event of a case failure.

**CAUTION** – Always keep the safety on and your finger off the trigger until you have clearly identified your target, lined up your sights on the intended target and verified that the backstop is clear.

- Keep the muzzle pointed in a safe direction and your finger outside the trigger guard until you are ready and intending to fire.

- Be sure of your target and what is beyond it.
- If your pistol has a manual safety, move it to the “OFF” or “FIRE” position.
- While firmly holding the grip, press the trigger fully to the rear. Pressing the trigger with the safety in the “OFF” or “FIRE” position will discharge the pistol. A trigger press causes a release of the striker which in turn moves forward to contact the cartridge primer.
- When a cartridge discharges, the slide is forced rearward and extracts the spent cartridge. The slide then returns forward feeding the next cartridge from the magazine into the barrel chamber.
- After each firing of a cartridge, you must allow the trigger to return to the forward position before you can fire another shot. Do not hold the trigger in the pressed position. Failure to release the trigger and permit the trigger to reset will prevent the firearm from fully cycling. In other words, if you hold the trigger in the pressed position, you will not be able to fire another shot. Keep your finger off the trigger and outside the trigger guard until you are ready and intending to fire another cartridge.
- After the last cartridge from the magazine is discharged, the magazine follower will exert upward pressure on the slide stop causing it to engage the slide and to hold it in

the “open” position.

**WARNING!** Your Savage Arms Stance is not equipped with a magazine disconnect. The pistol can be fired when the magazine is removed from the pistol. Therefore, make sure that the pistol’s chamber has been unloaded whenever the magazine has been removed from the pistol.

**WARNING!** Never stage a trigger in anticipation of firing a shot. “Staging” is the act of pressing the trigger rearward – stopping just short of the point where the pistol fires. Such manipulation of the trigger can reduce the user’s control of the pistol and can result in an unintentional discharge. Furthermore if the user decides not to fire, release of the trigger from a position close to the firing point in the staging process could result in an unintentional discharge.

## **CLEARING MISFIRES AND CHECKING FOR “SQUIB” LOADS**

**WARNING!** If your pistol gives any indication that it is not performing properly, fails to discharge a cartridge, there is a muffled sound, or the operation of the pistol has changed, stop firing immediately. If a cartridge fails to fire, wait thirty (30) seconds while keeping the muzzle pointed in a safe direction.

- If a cartridge fails to fire, wait thirty (30) seconds while keeping the muzzle pointed in a safe direction.

- If equipped, ensure that the thumb safety lever is in the SAFE position – Figure 13.

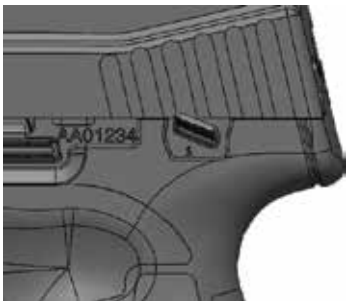


Figure 13

- Keep your finger off the trigger and out of the trigger guard.
- Remove the magazine.
- While avoiding exposure to the ejection port, grasp the serrated sides of the slide from the rear and briskly pull the slide fully rearward to eject the misfired round - Figure 14.



Figure 14

- Do not obstruct the ejection port, and do not attempt to catch the round by placing your hand over the ejection port. Remember that any time you release the slide while a magazine containing cartridges is in the pistol, you will have reloaded the chamber.
- To lock the slide in the open position, allow the slide to move slightly forward from the rearmost position while pressing upward on the slide stop - Figure 15.



Figure 15

- You are now able to safely check the barrel chamber and bore visually for any obstructions – Figure 16. You must be certain there are no cartridges in the chamber or obstructions in the barrel.



Figure 16

## LODGED BULLET OR BARREL OBSTRUCTION

**WARNING!** Never attempt to shoot out an obstruction in your barrel. Bullets can become lodged in the barrel under the following conditions:

- If the cartridge has been improperly loaded without propellant powder, contains insufficient powder, or if the powder fails to ignite. Note: Ignition of the cartridge primer but not the powder in the cartridge case will push the bullet out of the cartridge case, but usually does not

generate sufficient energy to expel the bullet completely from the barrel.

- If the bullet is not properly seated in the cartridge case. When such a cartridge is extracted from the chamber without being fired, the bullet may be left behind in the bore at the point where the rifling begins. Subsequent chambering of another cartridge may push the first bullet further into the bore.

**WARNING!** If there is any reason to suspect a bullet, object or debris of any type is obstructing your barrel, immediately unload the firearm to check whether the bore is obstructed. It is not sufficient to merely look in the chamber. A bullet may be lodged down the barrel where it cannot be easily seen. Have a qualified gunsmith inspect and repair the firearm or send it to Savage Arms.

## UNLOADING YOUR PISTOL

**WARNING!** Always keep the muzzle pointed in a safe direction.

**WARNING!** Never store your firearm in a loaded condition.

- Point the muzzle in a safe direction. If equipped, ensure that the thumb safety lever is in the SAFE position – Figure 17.

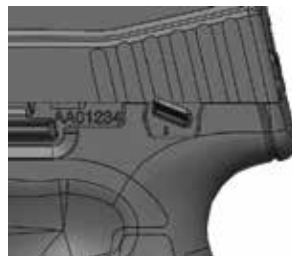


Figure 17

- Make sure your finger is away from the trigger and out of the trigger guard. Depress the magazine release and remove the magazine – Figure 18.



Figure 18

- Keep the muzzle pointed in a safe direction, and keep your finger away from the trigger and outside the trigger guard. Grasp the serrated sides of the slide from the rear with your thumb and fingers. Briskly pull the slide fully rearward to extract any cartridge from the barrel's chamber and clear it from the pistol – Figure 19.



Figure 19

- Lock the slide in the open position by allowing the slide to move slightly forward from the rearmost position while pressing upward on the slide stop – Figure 20.



Figure 20

- Do not obstruct the ejection port because doing so can interfere with ejection of a cartridge. Visually check the barrel's chamber to be sure it is empty - Figure 21.



Figure 21

- Look into the chamber and down through the magazine well. Verify that no ammunition remains in the pistol.
- Unload the magazine by holding it with the bullet end of the cartridge pointing away from you and pressing each cartridge forward and out of the magazine – Figure 22.

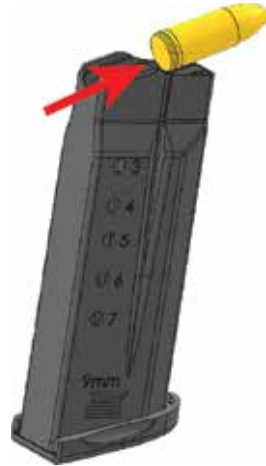


Figure 22

## FIELD STRIPPING & DISASSEMBLY

**WARNING!** Always keep the muzzle pointed in a safe direction.

**WARNING!** Make sure your firearm is completely unloaded before attempting any field stripping or disassembly.

**WARNING!** Always wear safety glasses when field stripping or during disassembly of your pistol.



- Point the pistol in a safe direction. If equipped, ensure that the thumb safety lever is in the SAFE position – Figure 23.

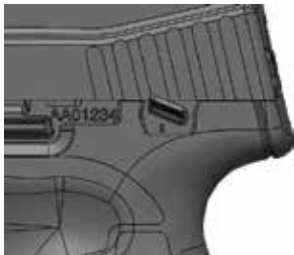


Figure 23

- Make sure your finger is off the trigger and out of the trigger guard. Depress the magazine release and remove the magazine - Figure 24.



Figure 24

- Starting with the slide in the closed position, remove a chambered round as follows:  
With the magazine removed, and the barrel pointing in a safe direction, and with your finger off the trigger and outside the trigger guard, grasp the serrated sides of the slide from the rear with your thumb and fingers. Briskly pull the slide fully rearward to extract any cartridge from the barrel and chamber and clear it from the pistol - Figure 25.



Figure 25

- Pull the slide fully rearward and press upward on the slide stop while letting the slide move slightly forward thereby locking the slide open – Figure 26.



Figure 26

- Make certain that the chamber is empty – Figure 27



Figure 27

- For models with a manual safety: Move the safety lever down to “FIRE” position – Figure 28.



Figure 28

- For all models: Rotate the takedown lever 90 degrees clockwise – Figure 29.



Figure 29

- A key safety feature of the Savage Arms Stance is that by

rotating the takedown lever, you have now deactivated the sear.

**NOTICE: DO NOT PRESS THE TRIGGER!**

- With the takedown lever rotated, grasp the slide from the top. Pull the slide slightly rearward to disengage the slide stop. Then push and remove the slide forward, clearing it from the frame – Figure 30. Take precaution to retain the recoil spring and guide rod assembly with your hand to avoid unintentional release of the recoil spring.



Figure 30

- While wearing safety glasses, carefully remove the recoil guide rod and spring from the slide by pulling upwards (1) and rearwards (2) – Figure 31.



Figure 31

**WARNING!** Use caution as the springs are under pressure.

- Remove the barrel from the slide by pulling upwards (1) and rearwards (2) – Figure 32.



Figure 32

- Figure 33 depicts the separated components after field stripping.



Figure 33

**WARNING!** Never disassemble your pistol beyond the field stripping process outlined in this manual. Never manipulate internal components beyond what you are specifically instructed to do in this manual. Failure to follow this warning can result in improper function of your pistol, and/or serious injury or death to you or others.

**WARNING!** Do not alter, modify or replace any of the parts of your firearm unless the work is performed by a qualified gunsmith using genuine Savage Arms parts. Failure to follow this warning can result in improper function of your pistol, and/or serious injury or death to you or others.

## LUBRICATION OF YOUR PISTOL

**WARNING!** Proper maintenance, including regular lubrication, of your pistol is critically important to its ability to function reliably and safely.

- There are seven total lubrication points; two on the barrel, Figure 34, and five on the lower assembly, Figure 35. A single drop of high-quality firearm lubricant should be applied at each lubrication point. Care should be taken to avoid over-lubrication.



Figure 34



Figure 35

### Five chassis lubrication points

- 1 - 4, Chassis rail sections
- 5, Side of trigger bar

**NOTICE:** Excess lubricant can collect quantities of unburned powder and carbon residue, which can interfere with the proper functioning of the pistol.

## RE-ASSEMBLY AFTER FIELD STRIPPING

**WARNING!** Incorrectly assembling the firearm can result in damage to your firearm, personal injury or death to you or others. The firearm owner and user must accept full responsibility for correct reassembly and function of the firearm after disassembly.

- With the bottom of the slide turned up, replace the barrel in the slide so the muzzle is flush with the end of the slide and the barrel lug is facing up – Figure 36.



Figure 36

- Next, place the outer spring on the end of the guide rod and insert the recoil guide rod spring assembly into the slide – Figure 37. The tip of the rear of the assembly fits into the notch on the barrel lug. Make sure the recoil guide rod assembly is properly centered.

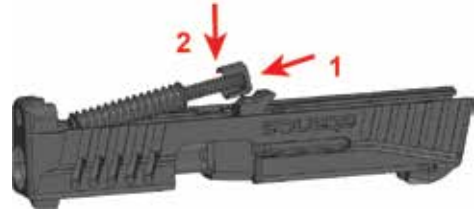


Figure 37

- Fit the rear portion into the ledge on the barrel and make sure that the springs are NOT visible from the top at the rear of the recoil spring assembly - Figure 38.



Figure 38

Guide Rod correctly installed – Figure 39.



Figure 39

Guide Rod correctly installed – Figure 40.



Figure 40

INCORRECT - Guide Rod not seated properly – Figure 41.



Figure 41

- With the recoil spring assembly in place and the take down lever in the down position, place the rear of the slide onto the front frame rails – Figure 42.



Figure 42

- Move the slide rearward until it engages the rear frame rails. Push the slide to the rear and engage the slide stop – Figure 43.



Figure 43

- With the slide in the locked back position, rotate the takedown lever 90 degrees counter-clockwise – Figure 44.



Figure 44

- Once the takedown lever is horizontal, you can allow the slide to move to the closed position. The sear is now reactivated and the firearm can be used.
- You can now replace the empty magazine into the firearm.
- Check for proper functioning by drawing the slide fully rearward, at which point the slide stop should move up and hold the slide open.

## FUNCTION TEST

**CAUTION:** With your pistol fully assembled, you should always complete a full function test to make sure your pistol is properly operating **before** loading or discharging the pistol. If your pistol does not function as described below, it is **NOT** safe to shoot and you should immediately contact Savage Arms.

**WARNING!** Your firearm should be completely unloaded prior to and during a function test. Always wear eye protection when completing a function test. Always safely control the direction of your muzzle.

- Always point your pistol in a safe direction during the function test.
- Remove the magazine by pressing the magazine release button.



- Move the slide fully rearward, and ensure the firearm is **NOT** loaded. Then release the slide to the fully forward position.
- With the slide forward, hold the pistol with your shooting hand and then, if equipped with a manual safety, move the safety to the “FIRE” position – Figure 45.

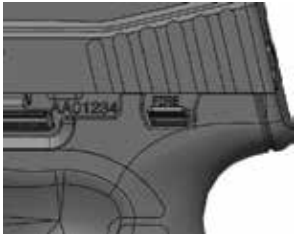


Figure 45

- Press the trigger. You should hear the click of the striker traveling forward and coming to a stop at the firing pin stop.
- While keeping the trigger in the rearward position, pull the slide fully rearward to re-cock the mechanism. Release the slide. The striker should not travel forward.
- With the slide fully forward, release the trigger, and then press the trigger again. Now the striker should again

release and fall fully forward.

- If your firearm is equipped with a manual safety, engage the safety by moving the safety to the “SAFE” position.
- Hold your pistol normally with your shooting hand, and attempt to press trigger. The trigger will move slightly, but not release the striker.
- Release the trigger and disengage the safety by moving it to the “FIRE” position. Again, the firing pin should remain in the fully cocked position.
- Press the trigger. You should hear the click of the Striker traveling forward and coming to a stop at the firing pin stop.
- Return the safety to the “SAFE” position.
- Store your firearm safely until ready to use.

**WARNING!** Never incorrectly re-assemble your pistol, and never modify or alter the components in any way. Failing to follow these rules can result in damage to your pistol, personal injury, or death to you or others. As the pistol owner, you are responsible for correctly re-assembling and functioning your pistol and ensuring that you never install modified or altered components.

## SIGHT ADJUSTMENT

**WARNING!** Make sure that your firearm is unloaded before adjusting your sights.

**WARNING!** Never point your firearm at an object that you are not prepared to shoot at, even if you believe your firearm is unloaded.

Note: The front sight is not adjustable. No attempt should be made to move the front sight on your pistol. Removal of the sight and replacement should only be performed by a qualified gunsmith who is familiar with Savage Arms products. Only your rear sight can be adjusted. The rear sight can be moved left or right to adjust for windage.

- Move the rear sight in the direction that you wish the group to move on target. For example, if the group should move to the right, move the rear sight to the right (as viewed from the rear). Use a professional sight adjustment tool, brass drift or punch to prevent marring the sight when moving it.

## BACKSTRAP ADJUSTMENT

The Stance comes with two different sized backstraps to allow you to customize the fit of your firearm. Backstraps can be changed in 4 easy steps.

- Unload your pistol and remove the magazine.
- With a small punch, push out the roll pin located near the base of the grip.
- Slide the backstrap down and off the grip frame.
- Slide on the preferred backstrap and replace the pin.

Be careful not to mar your firearm when replacing your backstrap and save the extra back strap in case you would like to change it in the future.

## MAGAZINE DISASSEMBLY & RE-ASSEMBLY

**WARNING!** Always wear safety glasses during disassembly and assembly of your magazine.

**WARNING!** Make sure your magazine is unloaded before disassembling it.

**WARNING!** Your Savage Arms Stance is not equipped with a magazine disconnect. The pistol can be fired when the magazine is removed from the pistol. Therefore, make sure that the pistol's chamber has been unloaded whenever the magazine has been removed from the pistol.

**CAUTION:** Your magazine spring is under pressure. Be sure to control the spring and follower so they do not fly out and cause injury or become lost. Be sure to wear safety glasses.

**To Disassemble:**

- Using a pointed tool, depress the floor plate catch through the hole in the floor plate – Figure 46.



Figure 46

- Slide floor plate forward off of the tube while holding floor plate catch in the tube against spring pressure – Figure 47.

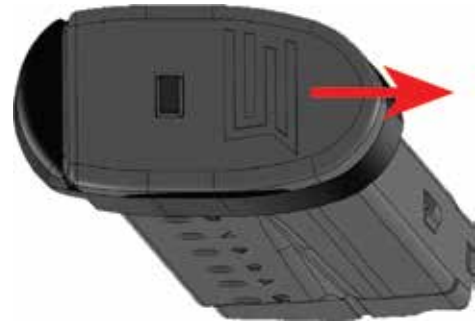


Figure 47

- Remove floor plate catch, spring and follower through bottom of tube.
- Turn the tube right side up, and remove spring and follower through bottom of the tube.

**To Re-assemble:**

- Inspect all parts and ensure they are clean. Install magazine spring, follower and floor plate catch (front to back) into the tube in exactly the same orientation as they were before they were removed during disassembly.

- Holding floor plate catch in the tube, slide the floor plate onto the tube's base so that the projection of the floor plate catch engages the floor plate. Verify that the floor plate is locked in place by exerting some pressure on the floor plate, as if trying to slide it off the tube.

## CLEANING & MAINTENANCE TIPS

**WARNING!** Proper maintenance of your pistol is critically important to its ability to function reliably and safely.

**WARNING!** Always wear safety glasses when cleaning your pistol.

**WARNING!** Make sure your firearm is unloaded before cleaning your pistol.

**CAUTION:** Before using your firearm for the first time, it should be cleaned. Your firearm was treated at the factory with either a preservative or oil to protect it against corrosion during shipping and storage. Preservative and oil should be wiped from the bore, chamber and exposed areas using a clean swab or patch before using the firearm.

- **Never disassemble your firearm beyond the instructions in the Field Stripping and Inspection sections of this manual.**
- Purchase cleaning supplies from your firearms dealer which are specifically designated for your type and caliber

of firearm. Follow the instructions provided with your cleaning supplies.

- Remove any firearm cleaning solution, oil and fingerprints from the outside surfaces of the firearm. (Finger moisture, if left on the firearm, could cause corrosion.)
- Remove excessive firing residue from the bore and chamber using a properly fitted brush. Clean the exterior of the firearm using a non-abrasive cleaning cloth.
- After cleaning, lightly coat the metal parts, both internal and external, with a high quality firearm oil. This will help prevent rust and corrosion.

**NOTICE:** Whenever your firearm has been exposed to debris, sand, mud, dust, extreme humidity, water or other adverse conditions, it must be cleaned and lubricated. If your firearm will be used in a cold climate, be sure to use an oil of an appropriate weight so that it will not congeal in cold temperatures, causing the interaction of important parts to be slowed or halted.

**NOTICE:** Some cleaners can cause damage to your firearms. You should avoid prolonged solvent immersion and ultrasonic cleaning of your firearm. Ammoniated solvents or other strong alkaline solvents should not be used on any Savage Arms firearm. Damage to a firearm's finish may occur if these cautions are ignored.

## MAINTENANCE BEFORE STORAGE

**CAUTION:** Do not encase your firearm in anything that will attract or hold moisture, for example, leather or heavy cloth. If your pistol is to be stored for an extended period, the bore, chamber and internal working mechanism should be oiled with a high quality lubricating oil or preservative intended for firearms.

**CAUTION:** The external working mechanisms and barrel should be coated with an anti-rust oil. Before using your firearm again, be sure to clean it. Every time you clean your firearm, check it for signs of wear. If wear is noted, do not use the firearm. Return it to Savage Arms for service or have it checked by a qualified gunsmith.

OWNERSHIP RECORD AND NOTES:

SERIAL #:

DATE OF PURCHASE:

## Statement of Limited Warranty

Who is covered?

The original owner (with proof of purchase).

How long is the warranty period?

One (1) year from the date of purchase.

What is covered?

Any defect in materials or workmanship (performed by Savage Arms) encountered during normal use.

What is NOT covered?

Personal injury, property damage, and/or damage to the firearm caused by:

- Improper maintenance or negligence to provide proper care and maintenance.
- Alterations/modifications performed without the written authorization of the Savage Arms Service Department.
- Normal wear, tear and/or corrosion.
- Accidental discharge, careless handling and/or misuse.
- Barrel obstructions.
- Use of improper ammunition and over pressure ammunition.

### **Exclusions and Limitations**

This warranty and the remedies set forth herein are exclusive and take the place of all other expressed or implied WARRANTIES (including any implied warranty of merchantability or fitness for any particular purpose which are disclaimed). No other representations or claims of any nature shall be binding on or obligate Savage Arms. Savage Arms excludes any incidental and consequential damages under this warranty. Some states do not allow exclusions or limitations on how long an implied warranty lasts, so the above limitations may not apply to you. This warranty gives you specific legal rights. You may have other rights, which will vary from state to state.

### **Returning a Firearm**

All firearms within the United States should be sent to Savage Arms. Firearms owned by individuals in Canada cannot be returned directly to Savage Arms due to import/export laws. Please call our Customer Service number listed below for information on warranty repairs. For repairs outside of North America, please contact your local firearms distributor. For WARRANTY claims, proof of purchase must accompany the firearm.

It is a violation of Federal Law to ship a firearm with live ammunition either in the MAGAZINE, chamber, or placed in the box. For the safety of all involved, please be sure there is no ammunition in either the chamber, MAGAZINE, or box.

Savage Arms, Inc. is not responsible for the loss or damage to any accessories shipped with the firearm. If there is a question whether the firearm should be returned or if parts could be purchased, please call 413-568-7001 or 1-800-370-0708 between 8:00 AM and 5:00 PM Eastern Time and ask for the Service/Warranty Department.

All firearms are to be sent to Savage Arms at the owner's expense. Warranty repairs will be returned to the owner at Savage Arms' expense.

1. Pack the firearm in its original box if possible. If a similar suitable box is used, care should be taken to protect the barrel/muzzle from breaking through. Always pack with the assumption that the firearm will undergo rough handling during transit to Savage Arms.
2. Enclose a brief note including: • name, address and phone number of the sender • serial number of the firearm • description of the problem you are having • bullet weight, bullet type, and manufacturer of the ammunition you are using • any other information which you feel may be helpful.
3. Return to: Savage Arms 100 Springdale Road Westfield, MA 01085 Attn: Service Department



**You're proud to  
shoot a Savage—  
so show it!**

Choose from a wide selection of Savage t-shirts, hats and other great apparel and gear at [store.savagearms.com](http://store.savagearms.com).

Don't miss out—check back often for the latest designs.

Receive **10% OFF**  
your first order!

Code will be emailed to you after you complete your online warranty registration.

[store.savagearms.com](http://store.savagearms.com)



## WARNING

Firearms must be handled responsibly and securely stored to prevent access by children and other unauthorized users. California has strict laws pertaining to firearms, and you may be fined or imprisoned if you fail to comply with them. Visit the website of the California Attorney General at <https://oag.ca.gov/firearms> for information on firearm laws applicable to you and how you can comply.

Prevent child access by always keeping guns locked away and unloaded when not in use. If you keep a loaded firearm where a child obtains and improperly uses it, you may be fined or sent to prison.

If you or someone you know is contemplating suicide, please call the national suicide prevention lifeline at 1-800-273-TALK (8255).



## WARNING

This product can expose you to chemicals including lead, which is known to the State of California to cause cancer and reproductive harm. For more information go to [www.P65Warnings.ca.gov](http://www.P65Warnings.ca.gov)



## ADVERTENCIA

Las armas de fuego deben ser manejadas de manera responsable y almacenada de manera segura para evitar el acceso de niños y otros usuarios no autorizados. California tiene leyes estrictas relativas a las armas de fuego, y puede ser multado o encarcelado si no cumple con ellas. Visite el sitio web del Procurador General de California en <https://oag.ca.gov/firearms> para obtener información sobre las leyes de armas de fuego aplicables a usted y cómo puede cumplir.

Evite el acceso de los niños manteniendo siempre las armas cerradas y descargadas cuando no estén en uso. Si mantiene un arma de fuego cargada donde un niño la obtiene y la usa incorrectamente, puede ser multado o enviado a prisión.

Si usted o alguien que conoce está contemplando el suicidio, llame a la línea de vida nacional de prevención del suicidio al 1-800-273-TALK (8255).



## ADVERTENCIA

Este producto puede exponerle a sustancias químicas que incluyen el plomo, que el estado de California reconoce como causante de cáncer y daños al sistema reproductivo. Para más información, visite [www.P65Warnings.ca.gov](http://www.P65Warnings.ca.gov)



## AVERTISSEMENT

Les armes à feu doivent être manipulées de manière responsable et stockées en toute sécurité pour empêcher les enfants et les autres utilisateurs non autorisés d'y accéder. La Californie a des lois strictes concernant les armes à feu et vous pouvez être condamné à une amende ou à une peine d'emprisonnement si vous ne vous y conformez pas. Visitez le site Web du procureur général de Californie à <https://oag.ca.gov/firearms> pour obtenir des informations sur les lois sur les armes à feu qui vous concernent et comment vous pouvez vous y conformer.

Empêchez l'accès des enfants en gardant toujours les pistolets sous clé et déchargés lorsqu'ils ne sont pas utilisés. Si vous gardez une arme à feu chargée là où un enfant l'obtient et l'utilise de manière inappropriée, vous pourriez être condamné à une amende ou à une peine de prison.

Si vous ou quelqu'un que vous connaissez envisagez le suicide, veuillez appeler la ligne de vie nationale pour la prévention du suicide au 1-800-273-TALK (8255).



## AVERTISSEMENT

Ce produit peut exposer l'utilisateur à des produits chimiques, comme le plomb, que l'État de Californie reconnaît comme étant cancérigène et nocif pour la reproduction. Pour plus d'information, consultez le [www.P65Warnings.ca.gov](http://www.P65Warnings.ca.gov)

 **SAVAGE ARMS®**

100 Springdale Road, Westfield, MA 01085

[www.savagearms.com](http://www.savagearms.com) (800) 370-0708 (413) 568-7001

115331 (11/21) Rev. 0