

INSTRUCTION MANUAL FOR



RUGER® MARK IV™

STANDARD, TARGET, HUNTER, COMPETITION,
22/45™, 22/45™ LITE, AND 22/45™ TACTICAL
AUTOLOADING PISTOLS



– RUGGED, RELIABLE FIREARMS® –



**READ THE INSTRUCTIONS AND
WARNINGS IN THIS MANUAL CAREFULLY
BEFORE USING THIS FIREARM**

© 2022 Sturm, Ruger & Co., Inc.

This manual may not be reproduced in whole or in part without the express written permission of Sturm, Ruger & Co., Inc.

**For Service on This Model Please Call:
(336) 949-5200 (See p. 33)**

THIS INSTRUCTION MANUAL SHOULD ALWAYS ACCOMPANY THIS FIREARM AND BE
TRANSFERRED WITH IT UPON CHANGE OF OWNERSHIP, OR WHEN THE FIREARM IS LOANED
OR PRESENTED TO ANOTHER PERSON

RUGER.COM

MKIV 4/2022 R7

State-By-State Warnings

Certain states require by law that their own specified warning notices in larger-than-normal type be conspicuously included by the manufacturer, distributor or retailer with firearms sold in that state. Sturm, Ruger & Co., Inc. sells its products in compliance with applicable laws and regulations. Because our products may be sold in these states, we include the following:

California:

WARNING

“Firearms must be handled responsibly and securely stored to prevent access by children and other unauthorized users. California has strict laws pertaining to firearms, and you may be fined or imprisoned if you fail to comply with them. Visit the Web site of the California Attorney General at <https://oag.ca.gov/firearms> for information on firearm laws applicable to you and how you can comply.

Prevent child access by always keeping guns locked away and unloaded when not in use. If you keep a loaded firearm where a child obtains and improperly uses it, you may be fined or sent to prison.

If you or someone you know is contemplating suicide, please call the national suicide prevention lifeline at 1-800-273-TALK (8255).”

ADVERTENCIA

“Las armas de fuego deben manipularse de manera responsable y segura para evitar el acceso de niños y otros usuarios no autorizados. California tiene leyes estrictas relacionadas con armas de fuego, y usted puede ser multado o encarcelado si no las cumple. Visite el sitio web del Procurador General de California en <https://oag.ca.gov/firearms> para obtener información sobre las leyes de armas de fuego que le son aplicables y cómo puede cumplirlas.

A los niños los atraen las armas de fuego y las pueden hacer funcionar. Ellos pueden causarse lesiones graves y la muerte. Evite que los niños tengan acceso a las armas de fuego guardándolas siempre con llave y descargadas cuando no las esté utilizando. Si usted tiene un arma de fuego cargada en un lugar en que un niño tiene acceso a ella y la usa indebidamente, le pueden dar una multa o enviarlo a la cárcel.

Si usted o alguien que conoce está pensando en suicidarse, llame a la línea nacional de prevención del suicidio al 1-800-273-TALK (8255).”

Connecticut:

“UNLAWFUL STORAGE OF A LOADED FIREARM MAY RESULT IN IMPRISONMENT OR FINE.”

Florida:

“IT IS UNLAWFUL, AND PUNISHABLE BY IMPRISONMENT AND FINE, FOR ANY ADULT TO STORE OR LEAVE A FIREARM IN ANY PLACE WITHIN THE REACH OR EASY ACCESS OF A MINOR UNDER 18 YEARS OF AGE OR TO KNOWINGLY SELL OR OTHERWISE TRANSFER OWNERSHIP OR POSSESSION OF A FIREARM TO A MINOR OR A PERSON OF UNSOUND MIND.”

Maine:

“ENDANGERING THE WELFARE OF A CHILD IS A CRIME. IF YOU LEAVE A FIREARM AND AMMUNITION WITHIN EASY ACCESS OF A CHILD, YOU MAY BE SUBJECT TO FINE, IMPRISONMENT OR BOTH. KEEP FIREARMS AND AMMUNITION SEPARATE. KEEP FIREARMS AND AMMUNITION LOCKED UP. USE TRIGGER LOCKS.”

Maryland:

“WARNING: Children can operate firearms which may cause death or serious injury. It is a crime to store or leave a loaded firearm in any location where an individual knew or should have known that an unsupervised minor would gain access to the firearm. Store your firearm responsibly!”

Massachusetts:

“WARNING FROM THE MASSACHUSETTS ATTORNEY GENERAL: This handgun is not equipped with a device that fully blocks use by unauthorized users. More than 200,000 firearms like this one are stolen from their owners every year in the United States. In addition, there are more than a thousand suicides each year by younger children and teenagers who get access to firearms. Hundreds more die from accidental discharge. It is likely that many more children sustain serious wounds, or inflict such wounds accidentally on others. In order to limit the chance of such misuse, it is imperative that you keep this weapon locked in a secure place and take other steps necessary to limit the possibility of theft or accident. Failure to take reasonable preventive steps may result in innocent lives being lost, and in some circumstances may result in your liability for these deaths.”

“IT IS UNLAWFUL TO STORE OR KEEP A FIREARM, RIFLE, SHOTGUN OR MACHINE GUN IN ANY PLACE UNLESS THAT WEAPON IS EQUIPPED WITH A TAMPER-RESISTANT SAFETY DEVICE OR IS STORED OR KEPT IN A SECURELY LOCKED CONTAINER.”

New Jersey:

“IT IS A CRIMINAL OFFENSE TO LEAVE A LOADED FIREARM WITHIN EASY ACCESS OF A MINOR.”

New York:

“THE USE OF A LOCKING DEVICE OR SAFETY LOCK IS ONLY ONE ASPECT OF RESPONSIBLE FIREARM STORAGE. FOR INCREASED SAFETY, FIREARMS SHOULD BE STORED UNLOADED AND LOCKED IN A LOCATION THAT IS BOTH SEPARATE FROM THEIR AMMUNITION AND INACCESSIBLE TO CHILDREN AND UNAUTHORIZED PERSONS.”

North Carolina:

“IT IS UNLAWFUL TO STORE OR LEAVE A FIREARM THAT CAN BE DISCHARGED IN A MANNER THAT A REASONABLE PERSON SHOULD KNOW IS ACCESSIBLE TO A MINOR.”

Texas:

“IT IS UNLAWFUL TO STORE, TRANSPORT, OR ABANDON AN UNSECURED FIREARM IN A PLACE WHERE CHILDREN ARE LIKELY TO BE AND CAN OBTAIN ACCESS TO THE FIREARM.”

Wisconsin:

“IF YOU LEAVE A LOADED FIREARM WITHIN THE REACH OR EASY ACCESS OF A CHILD YOU MAY BE FINED OR IMPRISONED OR BOTH IF THE CHILD IMPROPERLY DISCHARGES, POSSESSES, OR EXHIBITS THE FIREARM.”

* * * * *

Please check with your licensed retailer or state police for additional warnings which may be required by local law or regulation. Such regulations change constantly, and local authorities are in the best position to advise you on such legal matters.

FIREARMS SAFETY IS YOUR RESPONSIBILITY
**SAFETY MUST BE THE FIRST AND CONSTANT
CONSIDERATION OF EVERY PERSON WHO HANDLES
FIREARMS AND AMMUNITION.**

This instruction manual is designed to assist you in learning how to use and care for your RUGER® MARK IV™ pistol properly. Please contact us if you have any questions.

Only when you are certain you fully understand the manual and can properly carry out its instructions should you practice loading, unloading, etc. with live ammunition. If you have any doubts about your ability to handle or use a particular type of firearm safely, you should seek supervised instruction. Such personalized instruction often is available from local firearm retailers, gun clubs or police departments. If none of these sources can help, visit nra.org or write to the following address:

National Rifle Association
11250 Waples Mill Road
Fairfax, VA 22030-7400

The person possessing a firearm has a full-time job. You cannot guess; you cannot forget. You must know how to use your firearm safely. **Do not use any firearm without having a complete understanding of its particular characteristics and safe use.** Remember: There is no such thing as a foolproof firearm.

TABLE OF CONTENTS

State-By-State Warnings	2
Nomenclature	8
Locking Device Installation Instructions	9
General Information and Mechanical Characteristics	11
Operation of Manual Safety (Illustrations)	13
Ammunition	13
Dry Firing	14
To Load and Fire	15
Operation of Magazine Disconnect	17
To Unload, Extract and Eject a Chambered Cartridge	17
To Clear a Malfunction (“Jam” or “Misfire”)	19
To Minimize Malfunctions (“Jams” or “Misfires”)	19
Disassembly	21
Removal of Ambidextrous Safety	23
Reassembly	24
Magazine Nomenclature	25
Magazine Disassembly	25
Check Your Pistol’s Function	27
Care and Cleaning	28
Storage	29
Instructions for Attaching Scope Base	29
Sight Adjustment	30
Changing LitePipe on HiViz® Sight (On Models So Equipped)	30
Muzzle Cap Removal Instructions (On Models So Equipped)	31
Service and Parts Policy	33
Shipping Firearms For Repair	33
Ordering Parts	34
Mark IV™ Parts List	35
Mark IV™ Exploded Views	37 & 38
Mark IV™ 22/45™ LITE Parts List	39
Mark IV™ 22/45™ LITE Exploded Views	41 & 42
The Basic Rules of Safe Firearms Handling	43
Warranty Information	48

“RUGER“ is a registered U.S. trademark.



WARNINGS OF GREAT IMPORTANCE ARE FOUND ON THE FOLLOWING PAGES:

Locking Devices	9	Malfunctions	20
Alterations	11	Disassembly	21
Manual Safety	13	Lubrication	28
Ammunition	14	Storage	29
Lead Exposure	14	Barrel Nut	32
Firing	16	Shipping	33
Handling	17	Parts Purchasers	34

OTHER CAUTIONS AND WARNINGS APPEAR THROUGHOUT THE MANUAL.

NOMENCLATURE MARK IV™ PISTOLS

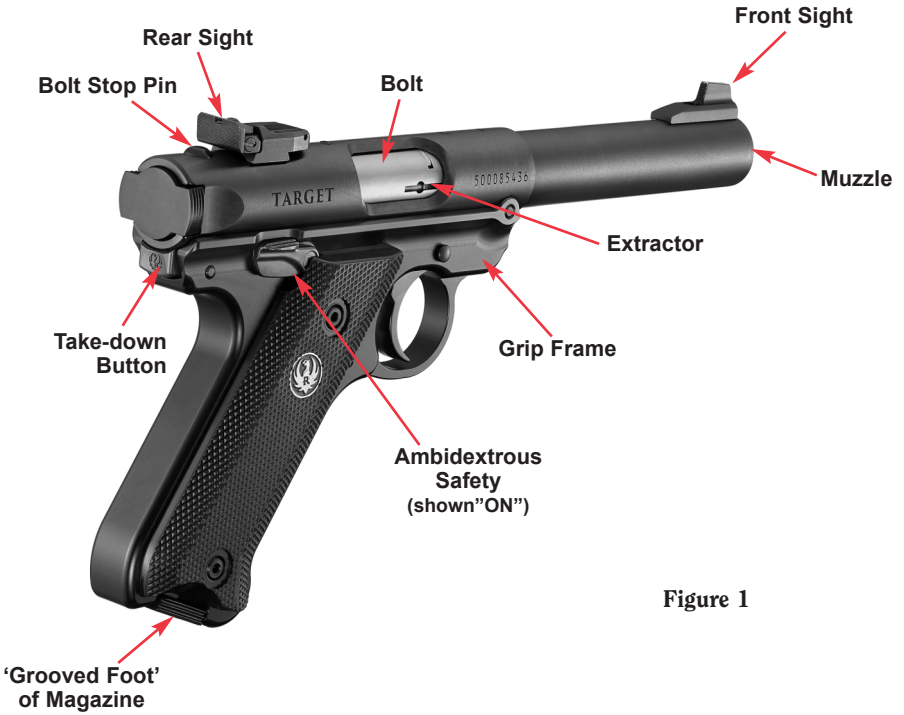


Figure 1



Figure 2

LOCKING DEVICE INSTALLATION INSTRUCTIONS



WARNING – USE OF LOCKING DEVICES



**Do not store keys
in lock.**

- Always keep your firearm pointed in a safe direction, including when you are installing or removing your locking device.
- Always verify that your firearm is completely **unloaded** before installing your locking device.
- Do **not** install locking devices in the trigger guard; always keep your fingers and locking device outside the trigger guard during device installation and removal.
- Store firearms, ammunition and keys separately and securely, away from children and careless adults; do **not** store your firearm with the keys in the locking device.
- Do not attempt to work the action of your firearm with the locking device in place; this may damage your firearm.
- While locking devices are an important aid to security measures, they are not a substitute for safe firearm handling and proper storage. Remember that any mechanical device can be bypassed with enough time, knowledge, determination and equipment.

**LOCKING DEVICES MUST BE USED
SAFELY AND RESPONSIBLY**

It is important to use the locking device on your Ruger® firearm when the firearm is stored or immediate use is not planned.

Keep the muzzle pointed in a safe direction and your fingers outside the trigger guard at all times during installation of the locking device!

To Install the Factory-Supplied Locking Device:

1. Remove the magazine from your pistol.
2. Open the action completely, and verify that the firearm is completely unloaded and contains no cartridges or cartridge cases!

Use the bolt stop to keep the action open during installation of the locking device.

3. Insert the cable directly into your pistol as shown in Figure 3.
4. To lock: With the key turned to the farthest clockwise position, insert the loose end of the cable into the lock. Turn the key counterclockwise and remove the key.
5. Once the lock is securely closed, pull firmly on the lock to test the connection and be sure it is locked. **Do not leave or store your firearm with the key in the lock!** Store your locked, unloaded firearm and the key in secure, separate locations, away from ammunition, children, and unauthorized adults.



Figure 3

Correct installation of the lock on a Ruger® MARK IV™ pistol.

**FIREARMS ARE DANGEROUS WEAPONS.
READ THE INSTRUCTIONS AND WARNINGS IN THIS
MANUAL THOROUGHLY AND CAREFULLY
BEFORE USING.**

 WARNING - ALTERATIONS	
	This product was designed to function properly in its original condition. Alterations can make it unsafe. Do not alter any part or add or substitute parts or accessories not made or sold by Sturm, Ruger & Co., Inc.
	DO NOT ALTER ANY FIREARM

GENERAL INFORMATION AND MECHANICAL CHARACTERISTICS

RUGER® MARK IV™ pistols are the latest evolution of Ruger's original 1949 Standard Auto Pistol. RUGER® MARK IV™ pistol improvements include the use of a solid one-piece fully machined grip frame, a simple take-town mechanism for easy disassembly and cleaning, an improved bolt stop lever, an ambidextrous manual safety, and a drop-free magazine release.

The RUGER® MARK IV™ STANDARD pistol features tapered barrels and fixed sights for inexpensive fun and practice.

The RUGER® MARK IV™ TARGET pistol features a heavy bull barrel and adjustable sights for target shooting and training.

The RUGER® MARK IV™ COMPETITION pistol features a slab-sided, heavy barrel with target grips and adjustable sights.

RUGER® MARK IV™ HUNTER pistol features a target-crowned, fluted bull barrel, adjustable rear sight and a HiViz® light-gathering front sight.

The RUGER® MARK IV™ 22/45™ pistol features a bull barrel, fully adjustable target sights and light weight polymer "22/45" grip frame that matches the grip angle of the popular "1911"-style pistol.

The RUGER® MARK IV™ 22/45™ LITE pistol has a grip frame assembly made of molded synthetic polymer, with a grip shape and angle generally similar to "1911"-style .45 caliber pistols. The receiver is made of aerospace-grade aluminum and is ventilated, making the pistol very light.

The RUGER® MARK IV™ 22/45™ TACTICAL has a lightweight polymer grip frame with rubberized replaceable grip panels that simulate the classic feel and grip angle of the 1911. The barrel is threaded for the addition of muzzle accessories, and Picatinny rails are factory-installed on this model.

All RUGER® MARK IV™ pistols have the same basic operating mechanism and include the following features with which the firearm user should be thoroughly familiar:

Bolt Stop: When the last shot has been fired and the magazine is empty, the bolt stop automatically holds the bolt open. When there is an empty magazine in the pistol and the bolt is retracted manually, the bolt stop will automatically hold the bolt open. If a loaded magazine is inserted in the pistol when the bolt is closed and the bolt is then retracted fully, the bolt stop will not automatically hold open the bolt. The user can actuate the bolt stop mechanism to hold the bolt open at any time by retracting the bolt, pushing up on the bolt stop thumbpiece, and releasing the bolt.

The bolt stop can be released when an empty magazine is in the pistol by drawing back slightly on the bolt and depressing the bolt stop thumbpiece. When the bolt is released, it will move forward under pressure from the recoil spring.

The bolt stop is spring-loaded. Therefore, when there is a loaded magazine in place and the pistol is jarred, the bolt may fly forward and chamber a cartridge. **For this reason and as an essential safety practice, the safety of the pistol should always be in the “on” (white dot showing) position except when the user is firing the firearm at a selected target.**

Magazines: Use only GENUINE RUGER® FACTORY magazines specifically designed for RUGER® MARK IV™ pistols in order to ensure proper feeding, functioning of the bolt stop and engagement of the magazine disconnect safety.

The RUGER® MARK IV™ pistol uses the same 10-shot magazine as the RUGER® MARK III™ pistol.

The RUGER® MARK IV™ 22/45™ pistol uses MARK IV™ 22/45™ pistol magazines *only*. MARK IV™ 22/45™ pistol magazines are not compatible with the MARK III™ 22/45™ pistol.

Safety: The safety locks the sear when the safety is “on,” indicated by a white dot visible on the grip frame. Because the safety cannot be moved to its “on” position unless the hammer is cocked, the safety also serves as a cocking indicator. The bolt can be manually retracted and released when the safety is “on.” This feature allows the pistol to be loaded or unloaded when the safety is “on.” **As shown in Figure 5 on page 13 and elsewhere in this manual, the safety should be “on” at all times except when the firearm user is deliberately positioned to fire at a selected target.** When the safety is in the “off” or down position, it will allow the trigger to be pulled and a red dot will be visible on the grip frame.

OPERATION OF MANUAL SAFETY



The Safety is not “on” unless it is fully up with the white dot completely visible (see Figure 5).



Figure 4. Safety in the “off” or “fire” position. Safety is all the way down and red dot is visible.



Figure 5. Safety in the “on” or “safe” position. Safety is all the way up and the white dot is visible.

 WARNING – MANUAL SAFETY	
	Putting the safety between “safe” and “fire” can result in the pistol firing when the trigger is pulled. Always move the safety fully to its intended position and <u>check</u> it. The safety is not “on” unless it is completely “on.” Never depend on a safety mechanism or any other mechanical device to justify careless handling or permitting the pistol to point in an unsafe direction. The only “safe” pistol is one in which the bolt is open, the chamber is empty and there is no magazine in the firearm.
NEVER PUT SAFETY 1/2 ON	

AMMUNITION


The RUGER® MARK IV™ pistols are chambered only for the .22 Long Rifle cartridge, standard velocity or high velocity, manufactured to U.S. Industry Standards. Do not attempt to load .22 Long, .22 Short or any other type of .22 caliber cartridge into the magazine or in the chamber of the pistol. Use of .22 shot shells is not recommended. See “Warning - Malfunctions,” p. 20.

Certain types of high velocity ammunition may show bulges or splits when examining the spent cases. If this occurs, discontinue using the ammunition.

! WARNING – AMMUNITION	
	<p>Use only new, factory ammunition of the correct caliber.</p> <p>Death, serious injury, and damage can result from the wrong ammunition, bore obstructions, powder overloads or incorrect cartridge components. .22 cases are very thin and sometimes split when fired.</p> <p><u>Always</u> wear shooting glasses and hearing protection.</p>
IMPROPER AMMUNITION DESTROYS FIREARMS	

AMMUNITION (CARTRIDGES) NOTICE

WE SPECIFICALLY DISCLAIM RESPONSIBILITY FOR ANY DAMAGE OR INJURY WHATSOEVER OCCURRING IN CONNECTION WITH, OR AS THE RESULT OF, THE USE IN RUGER® PISTOLS OF FAULTY, OR NONSTANDARD OR “REMANUFACTURED” OR HANDLOADED (RELOADED) AMMUNITION OR OF CARTRIDGES OTHER THAN THOSE FOR WHICH THE FIREARM WAS ORIGINALLY CHAMBERED.

! WARNING - LEAD EXPOSURE	
	<p>Discharging firearms in poorly ventilated areas, cleaning firearms, or handling ammunition may result in exposure to lead and other substances known to the State of California to cause birth defects, reproductive harm, and other serious physical injury. Have adequate ventilation at all times. Wash hands thoroughly after exposure.</p>
SHOOTING OR CLEANING FIREARMS MAY EXPOSE YOU TO LEAD	

DRY FIRING

Going through the actions of cocking, aiming and pulling the trigger on an unloaded firearm is known as “dry firing.” It can be useful to learn the “feel” of your pistol. Be certain that the pistol is fully unloaded (both the chamber and magazine are empty) and that the pistol is pointing in a safe direction when you are practicing dry firing. The RUGER® MARK IV™ pistol can be dry fired but a snap cap is strongly recommended for anything more than occasional dry fire practice.

TO LOAD AND FIRE

Practice this important aspect of firearm handling (with an unloaded pistol) until you can perform each of the steps — described below — with skill and confidence. But before you do anything with the pistol, first read completely through this manual.

1. **Keep the muzzle pointed in a safe direction.** (See Rule 2, p. 43.)
2. Push the magazine release button and pull the magazine down out of the grip frame.
3. Grasp the grooved ears of the bolt and pull the bolt to the rear as far as it will go. Then allow the bolt to go forward on an empty chamber. (See Figure 6, below.) This cocks the hammer and must be done before the safety can be put on.



Figure 6

4. **Engage the safety by moving it fully upward so the white dot is completely visible.** (See Figure 5, p. 13.)
5. Put ten (10) or fewer .22 Long Rifle cartridges into the magazine. In loading the magazine, make sure that all of the cartridges lie parallel and evenly in the magazine. The follower button on the left side of the magazine is used to lower the follower so the cartridges can be readily inserted (see Figure 7).

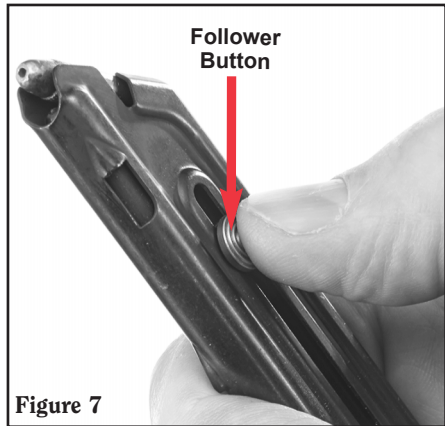


Figure 7



CAUTION: When using the follower button, have it under control. When loading or handling the magazine, do not pull the button down and then release it suddenly. The rim of the cartridge hitting the magazine lips may set off a sensitive primer and cause the cartridge case to discharge, burst violently, and result in injury


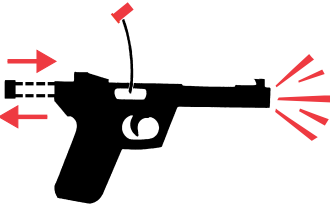
6. Insert the magazine into the magazine well, taking care that the magazine is fully inserted and locked in place with the cartridges pointing forward.

Slamming the magazine into the grip frame is not necessary.

7. Keeping your fingers outside of the trigger guard, pull the bolt to the rear as far as it will go (see Figure 6, p. 15.) Release the bolt so that it will fly forward. This will place a cartridge into the firing chamber. **If the pistol is not to be fired immediately, the safety button should remain “on” (see Figure 5, p. 13.).**

Once the safety is disengaged (pushed down so the red dot is visible – see Figure 4, p. 13), the pistol will fire a cartridge each time the trigger is pulled, until all of the cartridges in the magazine, and the one in the chamber, have been fired.

8. The pistol is ready for instant use once the safety is disengaged. Firing will automatically reload and recock the pistol. **Note that every time the trigger is pulled, if a cartridge is in the chamber and the safety is “off,” the pistol will fire — be careful!**

 WARNING – FIRING	
	The bolt automatically opens and shuts quickly while firing. Keep face and hands away from rear. Hot brass is ejected quickly and can burn you. Always wear shooting glasses and hearing protectors.
BOLT OPENS FAST - HOT BRASS EJECTED	

9. Immediately following the firing of a shot, and if a subsequent shot is not to be fired at once, put the safety in its “safe” position while the pistol is still pointing in a safe direction down range. **Never put a loaded pistol down with the safety off!**

10. When the last cartridge loaded into the pistol has been fired, the magazine follower presses the slide stop upward to engage the slide, automatically holding the action open. **If the slide is shut, the shooter should always assume that there is a cartridge in the chamber!**

Don't rely on your memory to know if a firearm or magazine is loaded. With the pistol pointed in a safe direction, visually inspect the magazine and the chamber.



OPERATION OF MAGAZINE DISCONNECT

Your RUGER® MARK IV™ pistol is equipped with a magazine disconnect. This device prevents the trigger from being pulled if the magazine is removed from the pistol. You will not be able to fire the pistol with the magazine removed, however, you should not rely upon the magazine disconnect or any other mechanical device or safety to justify careless or unsafe handling of any firearm.

Remember that a round may still be in the chamber and that the pistol may still be loaded even if the magazine is removed. As always, you should not rely upon the magazine disconnect or any other mechanical device or safety to justify careless or unsafe handling of any firearm.

Don't rely on your memory to know if a firearm or magazine is loaded. With the pistol pointed in a safe direction, visually inspect the magazine and the chamber.

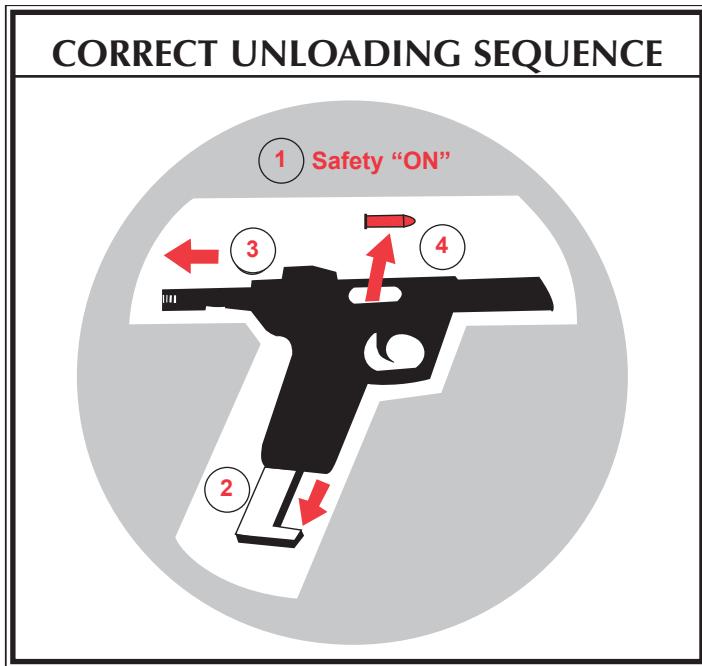
TO UNLOAD, EXTRACT AND EJECT A CHAMBERED CARTRIDGE

NOTE: This sequence must be followed exactly as spelled out. Failure to do so can result in the pistol's chamber becoming unintentionally loaded with a cartridge.

1. The muzzle of the pistol must be pointing in a safe direction at all times, and fingers must be outside the trigger guard. If the pistol is cocked, put the safety “on” by pushing safety button fully upward so that the white dot is visible.
2. Remove the magazine from the pistol and place it where it will not get damaged or collect dirt. (REMEMBER that even though the magazine has been removed, a cartridge may still be in the chamber.)

3. Firmly hold pistol in right hand so that the right thumb is directly underneath the bolt stop thumbpiece. Grasp the bolt ears firmly between the thumb and forefinger of your left hand and briskly retract the bolt to its rearmost position. As the bolt nears the end of its retraction, the chambered cartridge should be extracted and ejected. When the bolt is fully retracted, push upward on the bolt stop thumbpiece with your thumb, then allow the bolt to move forward slowly until it comes to rest against the bolt stop.

Always visually double check the chamber and the interior area of the receiver and the magazine well to be certain there are no cartridges present. Gently shake the pistol to dislodge any cartridge which may have been ejected into the magazine well when the bolt was retracted.



4. The firearm is now unloaded. If it is desired to close the bolt on an empty chamber, visually inspect to ensure the chamber is empty. Ensure that the magazine is not in the pistol and that the safety is "on," retract the bolt to its rearmost position, release it, and the bolt will snap forward. Keep your fingers out of the receiver!

5. If the magazine contains cartridges, they can be removed by pressing down slightly on the magazine button (to ease the spring tension) with the thumb, and then sliding the cartridges forward and out of the magazine, one at a time, until emptied.

6. Push the empty (unloaded) magazine into grip frame until the latch locks it in place.

7. With the muzzle pointed in a safe direction, push the safety to the "off" (red dot visible) position and pull the trigger to decock the pistol.

TO CLEAR A MALFUNCTION ("JAM" OR "MISFIRE")

1. Be certain the muzzle is continually pointed in a safe direction and the safety is "on" (white dot visible). Keep fingers out of the trigger guard.
2. If the misfire is the result of a cartridge not firing or unusual report (either louder or quieter than normal), keep the pistol pointed in a safe direction for 30 seconds prior to ejecting the chambered round or drawing the bolt fully to the rear.
3. If possible, first remove the magazine. It may be necessary to manually remove a jammed cartridge which has only partially been stripped from the magazine. If so, use extreme care. Lock the bolt open with the bolt stop before attempting to clear the jam (see Figure 8). Drawing the bolt fully to the rear may bring the jammed cartridge along. **Keep your face away from the ejection port during this operation.** When attempting to clear a jam, use only wood "tools" so that a cartridge will not be ignited if you strike a primer and so that the chamber and magazine will not be damaged. A 3/16" wood dowel rod with a point on one end is useful.
4. Visually check to make sure all cartridges have been removed from the pistol. Safely dispose of any cartridges involved in a malfunction incident. Do not use damaged ammunition in any firearm.






TO MINIMIZE MALFUNCTIONS ("JAMS" OR "MISFIRES")

1. Inspect the firearm and magazine for excessive fouling, damaged or worn parts. If it appears that the firearm and magazine are in good working order, then try another brand or type of ammunition.
2. If changing to another type or brand of cartridges does not at once eliminate malfunctions, then the following steps should be taken:
 - a. **Make certain the firearm and the magazine are unloaded and that the safety is "on" (white dot is visible). Remember, the magazine should be removed first, then check the chamber and be certain it and the magazine well are clear of cartridges.**

- b. Thoroughly clean the magazine and bolt mechanism, paying particular attention to removing accumulated grease. Use a bristle brush and solvent to remove grease and fouling from the bolt face, the extractor, the chamber, and the feed ramp. (See the “Care and Cleaning” section on page 28 of this manual for detailed cleaning instructions.)
- c. Check to see that the magazine spring tension is adequate.
- d. Check the magazine lips to be certain they are free of nicks and burrs and are not deformed.
- e. Remove excess oil and solvent from all cleaned components, load the magazine, and try the firearm again. As always, proceed slowly. **Be certain bystanders are not close and that you are wearing eye and hearing protection and that your face is a safe distance from the pistol so that any discharge resulting from a jammed cartridge will not injure anyone.**

If the above procedures do not result in a smooth and reliably functioning firearm, do not use the pistol. The pistol can be returned directly to our Prescott Customer Service Department for repair. See “Shipping Firearms For Repair” on page 33 of this manual for packing and shipping information.

Another precaution: when using any firearm chambered for rimfire cartridges, form the habit of examining fired cartridge cases. If they are bulged or show splits on any part of the case, discontinue using the ammunition.

 <h2 style="margin: 0;">WARNING – MALFUNCTIONS</h2>	
	<p>The .22 Long Rifle rimfire cartridge fires when the firing pin impacts the relatively soft cartridge case rim, and also can be “discharged” before it is chambered if its rim receives a sharp blow. If a cartridge hangs up, jams or binds when being chambered or when being fed from the magazine into the chamber, do not attempt to force it into the chamber by pushing or striking the bolt. Any jam or feeding problem is a signal to immediately stop using the firearm until it can be determined what is wrong. Most failures of a cartridge to feed or to chamber are caused by a damaged magazine, improper firearm handling or defective ammunition. Whatever the cause, rimfire cartridge jams can result in the potentially very dangerous situation of a cartridge discharging before it is chambered. If this occurs, the cartridge case will rupture and its fragments will fly out of the firearm with sufficient force to cause injury. Always wear shooting glasses and hearing protectors! Keep face away from chamber!</p>
	<p>CRUSHING RIM CAN BURST AMMO</p>



WARNING – DISASSEMBLY



Always unload a firearm before cleaning, lubrication, disassembly or assembly.

**UNLOAD BEFORE
SERVICING**

DISASSEMBLY

RUGER® MARK IV™ pistols are designed to be disassembled and reassembled without the use of tools.

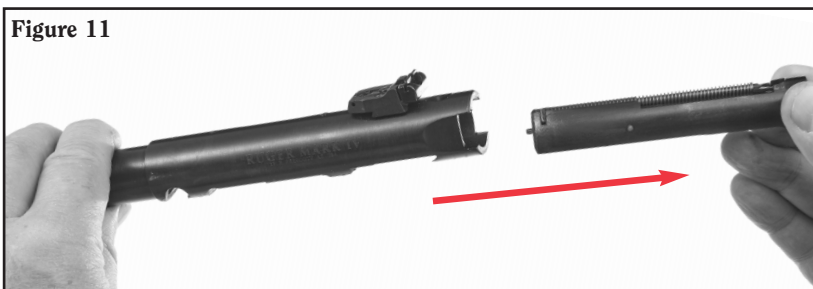
1. **Before beginning disassembly, be certain that the muzzle is pointed in a safe direction.** Keep your fingers out of the trigger guard. Remove the magazine **and remove all cartridges from the magazine.** Draw the bolt fully rearward and visually inspect the chamber to be certain that there is no cartridge in it and then release the bolt. Put the safety in the “on” position with the white dot visible.
2. Holding the barrel in one hand and the grip frame assembly in the other, depress the take-down button located just below the rear of the bolt (see Figure 9).



3. With the take-down button pressed, tilt the barrel downward so that it clears the bolt stop pin (see Figure 10a). The barrel/receiver assembly can now be lifted straight up off of the grip frame assembly (see Figure 10b).



4. The grips can be removed from the grip frame assembly with a 3/32" hex wrench if desired.
 5. Pull straight back on the bolt ears to remove the bolt from the receiver (see Figures 11).
- No further disassembly is necessary.



REMOVAL OF AMBIDEXTROUS SAFETY

If you prefer to have just the left safety lever, you can remove the right safety lever by following the instructions below.

1. To remove the right (ejection port) side safety lever, first remove the right grip panel using a 3/32" hex wrench. (See Figure 12.)

NOTE: Removing the right side grip panel will expose the magazine ejector. The magazine ejector is under spring tension and should be covered with your hand when removing the grip panel to prevent it from being dislodged. Safety glasses should be worn.



Figure 12

2. Next, remove the right side safety lever using a 1/16" hex wrench. (See Figure 13.)
3. Finally, install the supplied spacer in place of the safety lever (see Figure 14), and reinstall the grip panel using the original screws.

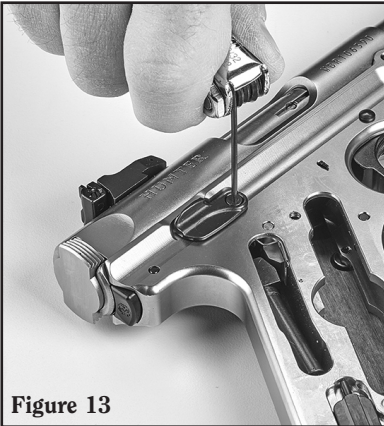


Figure 13

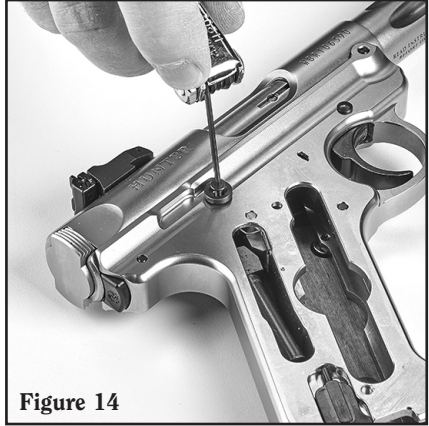


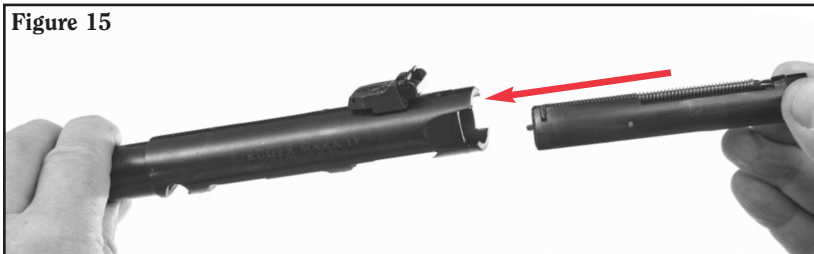
Figure 14

REASSEMBLY

(The procedure is the same for all RUGER® MARK IV™ pistols.)

1. **Be certain the pistol is free of cartridges!** Keep your finger out of the trigger guard. The safety must be in the "on" position with the white dot fully visible for reassembly (see Figure 5, p. 13).
2. Insert the bolt fully into the barrel/receiver assembly (see Figure 15).

Figure 15



3. Place the barrel/receiver assembly on top of the frame so that the notch in the receiver aligns with the pivot pin in the grip frame (see Figure 16).

Figure 16



4. Rotate the barrel/receiver assembly down on to the bolt-stop pin in the grip frame (see Figure 17).

Figure 17

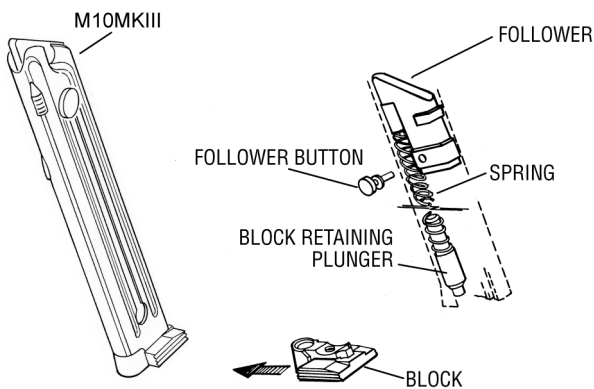


5. Gently squeeze the barrel/receiver assembly and the grip frame assembly together so that a click is heard and check to ensure that they are firmly together and cannot be pulled apart (see Figure 18).



6. Replace the empty magazine into the magazine well, **point the pistol in a safe direction**, place the safety in the “off” position to expose the red dot, and pull the trigger to uncock the firearm. **Guns should not be stored loaded or cocked.**

MAGAZINE NOMENCLATURE



FOR RUGER® MARK IV™ PISTOLS

MAGAZINE DISASSEMBLY

ALWAYS WEAR SAFETY GLASSES WHEN DISASSEMBLING OR REASSEMBLING A MAGAZINE!

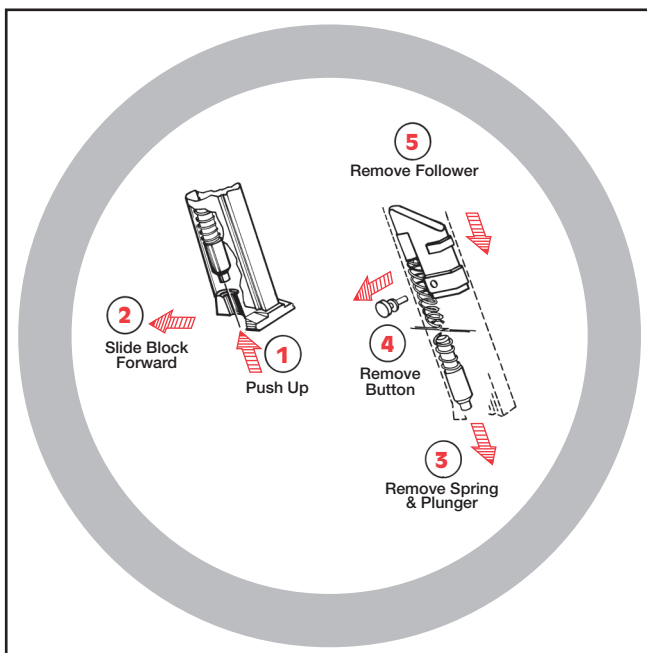
TO DISASSEMBLE MAGAZINE: Withdraw the magazine from pistol and remove all cartridges from the magazine. Retract the bolt and check the chamber to be certain no cartridges remain in the pistol. Hold the magazine upside down so that the hole in the magazine block is accessible.

1. With right hand, insert drift punch in hole and depress magazine block retaining plunger approximately 1/4".
2. Slide magazine block forward slowly BEING VERY CAREFUL TO KEEP PLUNGER AND SPRING UNDER CONTROL. If not contained, these parts will fly out with considerable force. Therefore keep bottom end of magazine pointed away from persons and objects.
3. With the magazine block fully removed, the plunger and spring should be slowly withdrawn.
4. Now, holding the magazine flat in the left hand, align the magazine follower button with the circular opening near the lower end of magazine body and lift out the magazine follower button.
5. The magazine follower can then be removed.

Reassemble in reverse order, being careful to contain the spring and plunger as the magazine block is slid and locked into place. After reassembly has been completed, test magazine follower to ensure it has free movement.

Always 'ride' the magazine follower button up and down with your thumb. Do not lower follower button and then permit it to snap up.

MAGAZINE DISASSEMBLY



DAMAGED, NON-STANDARD OR IMPROPERLY ASSEMBLED MAGAZINES SHOULD NOT BE USED. THEY CAN CAUSE THE PISTOL TO MALFUNCTION.

CHECK YOUR PISTOL'S FUNCTION

Periodic inspection of any firearm is important to ensuring its safe operation. It is important to clean and inspect your firearm after each range session or whenever the firearm has been exposed to sand, dust, moisture, humidity, or other adverse conditions. Proper maintenance increases the longevity of your firearm and will allow early detection of worn or broken parts.

Prior to each use, visually inspect the firearm to ensure no components are damaged, missing, loose, bent, cracked, chipped, or peened. If you observe excessive wear, you should stop using your pistol and contact customer service or a trained certified gunsmith to evaluate its condition and replace any worn parts if necessary.

After any disassembly and reassembly, it is important to verify that the action is working correctly before any live firing is attempted.

FIRST, BE SURE THERE IS NO AMMUNITION IN THE CHAMBER OR THE MAGAZINE AND KEEP THE PISTOL POINTED IN A SAFE DIRECTION AT ALL TIMES!

- a. CHECK THE FUNCTION OF THE BOLT: With the magazine out of the gun, the bolt forward, and the manual safety in the "FIRE" position, pull the bolt to the rear and release it. Perform this step twice.
 - The bolt should move freely all the way to the rear and close completely under force of the recoil spring.
 - Insert an **EMPTY** magazine into the pistol and pull the bolt to the rear. Release the bolt. The bolt should be held open by the bolt stop.
 - Remove the magazine. The bolt should remain open.
 - Pull the bolt fully to the rear and release it. The bolt should move freely forward to its closed position.
- b. CHECK THE FUNCTION OF THE TRIGGER: With the magazine removed from the pistol, cycle the bolt open and closed to ensure the hammer is cocked.
 - With the magazine removed, move the manual safety to "FIRE" and pull the trigger. The trigger should move slightly rearward and stop. The hammer should not fall.
 - Insert an **EMPTY** magazine into the pistol, move the manual safety to "SAFE," and attempt to pull the trigger. The trigger should move rearward slightly and stop. The hammer should not fall.
 - With the empty magazine still inserted in the pistol, move the manual safety to "FIRE" and attempt to pull the trigger. The trigger should move fully rearward and you should hear a click as the hammer falls.
 - Attempt to move the manual safety to "SAFE." The manual safety lever should **NOT** move to "SAFE" with the hammer in the fired position.

If any of the above function checks fail or if you are uncertain, please consult a competent gunsmith or contact Ruger Customer Service at 336-949-5200 for further firearm inspection **before using the firearm.**

CARE AND CLEANING



MAKE SURE FIREARM IS UNLOADED!

Before cleaning, be certain the pistol and its magazine are unloaded (see “To Unload,” p. 17).

At regular intervals, or whenever the pistol has been exposed to sand, dust, extreme humidity, condensation, immersion in water or other adverse conditions, disassemble, clean, and oil it. Proper periodic maintenance is essential to the reliable functioning of any firearm.

To clean the pistol, proceed as follows:

1. Disassemble (field-strip) the pistol to the extent described on pages 21 - 22.
2. Using a cleaning rod, run a properly sized, solvent-wetted patch through the bore several times. Then attach a solvent-wetted bristle brush to a cleaning rod and run it back and forth the full length of the bore as many times as necessary to remove grease and dirt from the bore and chamber. Clean the bore with dry patches and examine. Bore fouling can contribute to reduced accuracy, and grease accumulation in the chamber can interfere with proper feeding of cartridges from the magazine.
3. Using powder solvent on a clean patch or bristle brush, remove powder residue from all components of the pistol. After cleaning, run a dry patch through the bore, then follow with a patch that is very lightly oiled. Wipe all surfaces clean with a cloth, then wipe all surfaces with a patch or cloth that has been very lightly oiled.
4. **NOTE:** Only a light application of oil is needed to provide adequate lubrication of moving parts and to prevent rust. Excess accumulations of oil tend to attract particles of dust and dirt and may congeal in cold weather which can interfere with the safe and reliable function of the pistol.
5. If magazine becomes dirty, it should be disassembled and thoroughly cleaned (see “Magazine Disassembly” section, p. 25).
6. Before firing, remove all oil and grease from the bore.

 WARNING – LUBRICATION	
	<p>Firing a pistol with oil, grease, or any other material even partially obstructing the bore may result in damage to the pistol and serious injury to the shooter and those nearby.</p> <p>Do not spray or apply lubricants directly on ammunition. If the powder of a cartridge is affected by the lubricant, it may not be ignited, but the primer firing may push the bullet into the bore where it may become lodged. Firing a subsequent bullet into the obstructed bore may damage the pistol and cause serious injury or death to the shooter and those nearby. Use lubricants properly. You are responsible for the proper care and maintenance of your firearms.</p>
IMPROPER LUBRICATION DESTROYS FIREARMS	



STORAGE

FIREARMS SHOULD NOT BE STORED LOADED!

USE THE LOCKING DEVICE SUPPLIED WITH THE PISTOL TO RENDER IT INOPERATIVE FOR SAFE STORAGE.

(SEE PAGE 9)

Do not keep the pistol stored in a leather holster or case. Leather attracts moisture, even though the holster or case may appear to be perfectly dry.

 WARNING – STORAGE	
	<ul style="list-style-type: none">• Never place or store any firearm in such a manner that it may be dislodged. Firearms should always be stored securely and unloaded, away from children and careless adults.• Use the locking device supplied with the pistol for storage. The use of a locking device or safety lock is only one aspect of responsible firearms storage.• For increased safety, firearms should be stored unloaded in a location that is both separate from their ammunition and inaccessible to children and any other unauthorized person.
STORE SECURELY & UNLOADED	

INSTRUCTIONS FOR ATTACHING THE SCOPE BASE

1. Using a 5/64" hex wrench, remove the filler screws from the top of the receiver.
2. Degrease the screw holes in the receiver.
3. Degrease the scope base screws.
4. After the degreased areas are dry, place a drop of blue LOCTITE® adhesive/sealant or equivalent to the scope base screws.
5. Set the scope base on the receiver with the side notch aligned with the ejection port of the receiver.
6. Install the scope base screws and tighten.
7. Set the assembled pistol aside overnight to allow the adhesive to set up.

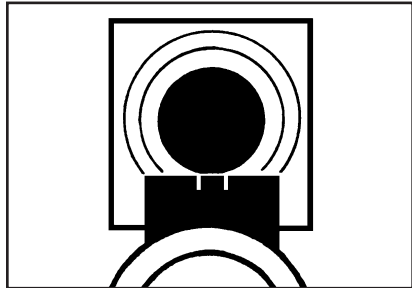
SIGHT ADJUSTMENT

The Standard RUGER® MARK IV™ pistol is equipped with a rear sight which is adjustable for windage only. The rear sight can be drifted laterally in its dovetail on the top of the slide by tapping it with a wooden or plastic headed hammer or similar implement. The front sight is fixed.

Models equipped with adjustable rear sights: Turning the top (elevation) sight adjustment screw clockwise lowers the impact of the shot. Turning the horizontal (windage) sight adjustment screw **clockwise** moves the impact of the shot to the **right**. Turning the horizontal (windage) sight adjustment screw **counterclockwise** moves the impact of the shot to the **left**.

SUGGESTED SIGHT PICTURE

Top of front sight even with top of rear sight blade. Front sight centered in notch of rear sight blade. Target bull's-eye centered on top of front sight.

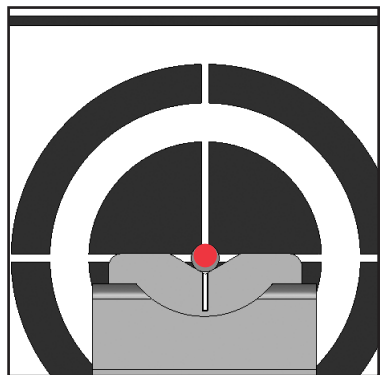


CHANGING THE LITEPIPE ON YOUR HiViz® SIGHT (ON MODELS SO EQUIPPED)

1. Point the muzzle in a safe direction.
2. Make sure that the magazine and the pistol are completely unloaded.
3. Use the tip of the HiViz® key to push the LitePipe in and out of the sight base.

SUGGESTED SIGHT PICTURE FOR V-NOTCH REAR SIGHTS (On Models So Equipped)

A v-notch express sight is designed to be used as a point of aim/point of impact sighting system. The recommended sight picture for this type of system is to place the round front sight bead, regardless of the size of the bead, at the bottom of the v-notch in the rear sight. The front sight bead should be pointed directly at the intended target.

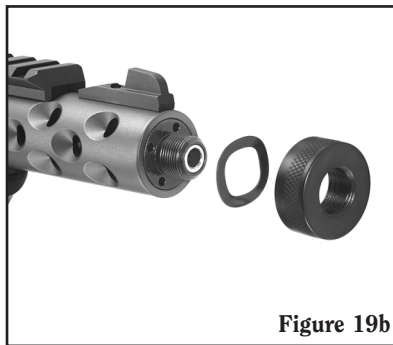
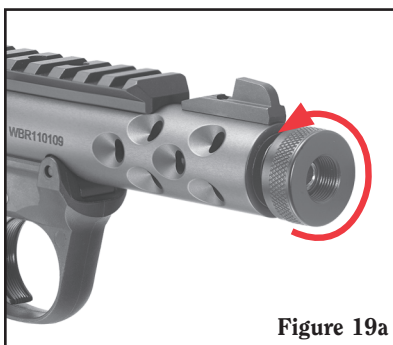


MUZZLE CAP REMOVAL INSTRUCTIONS (ON PISTOLS SO EQUIPPED)

Some RUGER® MARK IV™ pistols come equipped with a threaded barrel that is protected by a removable muzzle cap. The cap protects the 1/2"-28 threads at the end of the barrel, which is designed to accommodate a .22 Long Rifle sound suppressor.

To remove the muzzle cap, point the pistol in a safe direction, remove the magazine, and keep your finger off the trigger. Retract the bolt to the rear, and lock it to the rear by pushing up on the bolt stop. Verify that the chamber is empty. Pull back on the bolt ears and release to close the bolt. Keep your fingers out of the receiver!

Hold the upper receiver/barrel section of the pistol firmly in your left hand, and turn the muzzle cap counter-clockwise, until removed from the threaded portion of the barrel. (See Figure 19a.) Gripping the muzzle cap by the knurled section will aid in twisting the cap free. Remove the cap and the wave washer under the cap (See Figure 19b.) and store them in a safe place for reinstallation when the suppressor is removed.



Install the suppressor per the manufacturer's instructions. (See Figure 20.) When a suppressor is not being used, reinstall the wave washer and muzzle cap to ensure the threads at the end of the barrel are protected.





WARNING – BARREL NUT



**DO NOT Remove
Barrel Nut**

When removing the muzzle cap, a barrel nut is behind the cap and washer. This nut is used to lock the barrel in place. This nut should never be loosened, removed or tampered with. This nut is epoxied and torqued in place at the factory. This nut is meant to remain in place and should not be removed under any circumstance. Failure to follow this warning will cause permanent damage to your firearm and will not be warranted or repaired by Customer Service.

**DO NOT REMOVE
BARREL NUT**

SERVICE AND PARTS POLICY

If you have any questions with regard to the performance of your RUGER® MARK IV™ pistol please contact our Customer Service online at Ruger.com or call the Customer Service Dept. at 336-949-5200. Fully describe all circumstances and conditions involved. If you should return your pistol to the factory for repair, or order parts for it, please comply with the following suggestions for prompt service:



WARNING—BEFORE SHIPPING ANY FIREARM, BE ABSOLUTELY CERTAIN THAT THE FIREARM AND ITS MAGAZINE ARE UNLOADED. DO NOT SHIP CARTRIDGES WITH A FIREARM.

SHIPPING FIREARMS FOR REPAIR:

NOTE: You must obtain a Repair Authorization Number before returning your firearm. An authorization number can be obtained by contacting Customer Service online at Ruger.com or calling the Customer Service Department at 336-949-5200. Firearms should be sent prepaid. We will not accept collect shipments. Any RUGER® MARK IV™ pistol returned to the factory for repair should be sent to: Sturm, Ruger & Company, Inc., Customer Service Department, 200 Ruger Road, Prescott, AZ 86301-6181.

The Federal Gun Control Act, as well as the laws of most states and localities, do not prohibit an individual (who is not otherwise barred from purchasing or possessing a firearm) from shipping a firearm directly to the manufacturer for repair. However, before you ship your firearm to us, be certain that your state or locality does not have a law or regulation which will prohibit you from receiving the firearm (or any included magazines) from us after it has been repaired. If such receipt is prohibited, please have a federally licensed firearms dealer ship the firearm to us. If your firearm is sent to us by a dealer, it will be returned to that dealer after being repaired. If a handgun (pistol or revolver) is shipped by an individual who does not hold a Federal Firearms License, it must be shipped for overnight delivery via U.P.S., Federal Express, or other, similar private overnight service. **NOTE:** Handguns may not be shipped via U.S. Mail. Persons who do not hold a Federal Firearms License are prohibited by Federal law from shipping a handgun by Mail. Handguns mailed in violation of the law may be impounded or confiscated by the Post Office and the non-FFL may be subject to prosecution.

Please do not include holsters, custom grip panels, or accessories with a firearm being shipped to the factory for service. **DO NOT SEND FIREARM BOXES OR LITERATURE THAT YOU CONSIDER TO BE COLLECTOR'S ITEMS – THESE ARE INVARIABLY DAMAGED OR DESTROYED IN SHIPMENT.** Always insure your shipment.

Enclose a letter which includes your name, address, telephone number, firearm serial number and model, and your repair authorization number. Describe in detail the trouble you have experienced with your firearm, or the work you wish to have done. Merely stating that the firearm “needs repair” is inadequate information. Please enclose copies of any previous correspondence.

All work performed is subject to a minimum labor charge and charges for shipping and handling. Most models can be reblued, but custom gunsmithing service or nonstandard alterations are NOT AVAILABLE from Ruger Customer Service Departments. Please contact the Customer Service Department for pricing information. In states that have a magazine capacity limitation, **DO NOT RETURN** so-called “high capacity” magazines as Ruger may not be able to return the magazine to you.

 WARNING – PARTS PURCHASERS	
	<ul style="list-style-type: none">• It is the purchaser’s responsibility to be absolutely certain that any parts ordered from the factory are correctly fitted and installed.• Firearms are complicated mechanisms and IMPROPER FITTING OF PARTS MAY RESULT IN A DANGEROUS MALFUNCTION, DAMAGE TO THE FIREARM, AND SERIOUS INJURY TO THE SHOOTER AND OTHER PERSONS.• The purchaser and installer of parts must accept full responsibility for the correct adjustment and functioning of the firearm after such installation.
PARTS MUST FIT CORRECTLY	

ORDERING PARTS

Please contact the Prescott, Arizona Customer Service Department for parts availability and current prices. All parts orders for the RUGER® MARK IV™ pistols should be sent to: Sturm, Ruger & Company, Inc., Customer Service Department, 200 Ruger Road, Prescott AZ 86301-6181, 336-949-5200. We cannot comply with open account or C.O.D. requests. Payment in full via credit card (Visa, MasterCard, or Discover only), money order or certified bank check (no personal checks or cash, please) is required before any service will be performed. Please provide your credit card number, your name as it appears on the credit card, the expiration date and the 3-digit security code. All parts orders are subject to a minimum charge and charges for shipping and handling. Order parts by **Part Name and specify the model and entire serial number** of the firearm for which the parts are being ordered. There is a minimum labor charge plus a shipping and handling charge if the parts are factory fit. All factory fit parts are fit on an exchange basis only. We will not return the replaced parts. Please contact the Customer Service Department for pricing information.

Because it is a serial numbered component, the RUGER® MARK IV™ pistol barrel/receiver assembly is defined as a “firearm” by Federal law and is not sold as a separate component.

*Parts designated by an asterisk must be factory fit. These parts are fit on an exchange basis only. We will not return the replaced parts. We will not return any part that is broken, malfunctioning, badly worn or has been modified. See “Warning - Parts Purchasers,” above.



WARNING: A firearm containing broken, malfunctioning or badly worn parts should not be fired!

RUGER® MARK IV™ PISTOL

PARTS LIST

Design, prices and specifications subject to change without notice.
SPECIFY MODEL, CALIBER, AND SERIAL NO. WHEN ORDERING
(See Exploded View on page 37)

Key No.	Part Name
* 1	Grip Frame
* 2	Frame Lug
3	Receiver Frame Screw
4	Bolt Open Stop Spring
5	Trigger Spring
6	Trigger Spring Plunger
7	Bolt Open Stop
* 8	Trigger Bar
9	Trigger Bar Pivot Pin
10	Trigger Pivot Pin
11	Magazine Latch
12	Magazine Latch Spring
13	Magazine Latch Screw
* 14	Sear
15	Sear Spring
16	Hammer Bushing
* 17	Hammer
18	Hammer Strut
19	Magazine Disconnect Spring
* 20	Safety
21	Spring Plunger for Auto Safety
* 22	Safety Lever, Left
23	Safety Lever, Right
* 24	Main Spring Housing
25	Hammer Spring
26	Hammer Spring Plunger
27	Latch Spring
* 28	Latch
* 29	Bolt Stop Pin
30	Bolt Stop Thumbpiece
31	Left Grip Panel
32	Grip Panel Screw
33	Right Grip Panel

* PARTS SO MARKED MUST BE FACTORY FIT.

Key No.	Part Name
34	Magazine
35	Lug Retainer Screw
36	Magazine Latch Plunger
37	Sear Pivot Pin
38	Hammer Strut Pin
39	Bolt Stop Thumbpiece Screw
40	Trigger Pivot Retainer Spring
41	Bolt Stop Retainer Pin Retainer
42	Safety Detent Spring
* 43	Trigger
44	Bolt Stop Cross Pin
45	Magazine Disconnecter
46	Safety Lever Screw
47	Magazine Assist
48	Manual Safety Spring
49	Safety Plunger

* PARTS SO MARKED MUST BE FACTORY FIT.

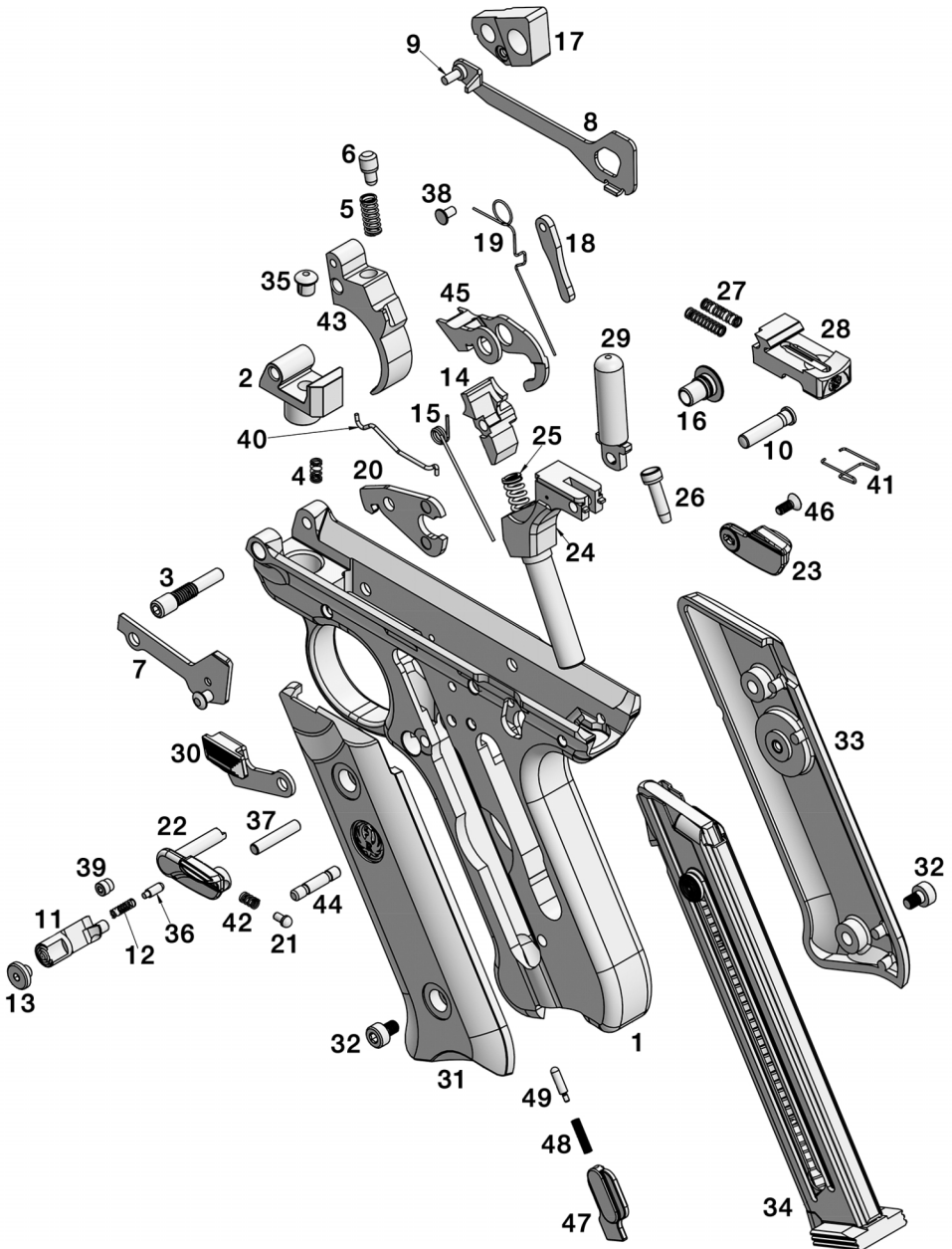
RUGER® MARK IV™ PISTOL BARREL/RECEIVER ASSEMBLY COMPONENT PARTS

(See Exploded View on page 38)

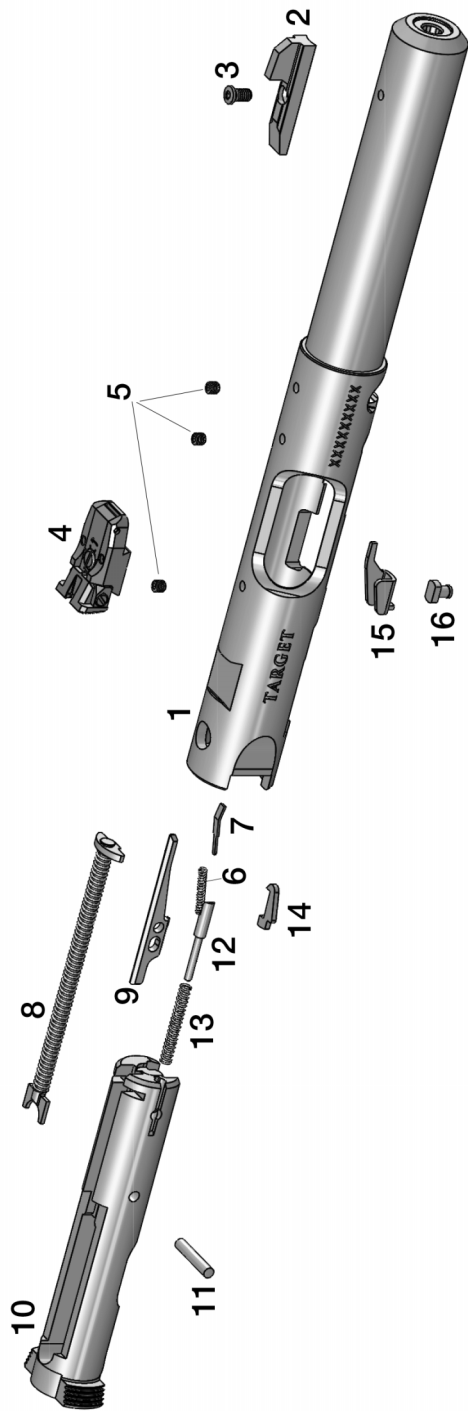
Key No.	Part Name
† 1	Barrel/Receiver Assembly
2	Front Sight
3	Front Sight Screw
4	Rear Sight
5	Barrel Receiver Filler Screw, 3 Req'd
6	Rebound Spring
7	Rebound Spring Guide Rod
8	Guide Rod Assembly
9	Firing Pin
* 10	Bolt
11	Firing Stop Pin
12	Extractor Plunger
13	Extractor Spring
14	Extractor
15	Ejector
16	Ejector Rivet

† Because it is a serial-numbered component, the RUGER® MARK IV™ pistol barrel/receiver assembly is defined as a “firearm” by Federal Law and is not offered for sale separately.

RUGER® MARK IV™ PISTOL EXPLODED VIEW



RUGER® MARK IV™ PISTOL BARREL/RECEIVER ASSEMBLY



RUGER® MARK IV™ 22/45™ LITE PISTOL

PARTS LIST

Design, prices and specifications subject to change without notice.
SPECIFY MODEL, CALIBER, AND SERIAL NO. WHEN ORDERING
(See Exploded View on page 41)

Key No.	Part Name
* 1	Grip Frame
* 2	Frame Lug
3	Lug Screw
4	Trigger Pivot Retainer
5	Bolt Open Stop Spring
* 6	Trigger
7	Trigger Spring
8	Trigger Spring Plunger
9	Bolt Stop
10	Bolt Stop Stud
* 11	Trigger Bar
12	Trigger Bar Pivot Pin
13	Trigger Pin
14	Magazine Latch
15	Magazine Latch Spring
16	Magazine Latch Plunger
* 17	Sear
18	Sear Spring
19	Sear Pin
20	Hammer Bushing
* 21	Hammer
22	Magazine Disconnecter
23	Hammer Strut
24	Hammer Strut Pin
25	Magazine Disconnecter Spring
* 26	Safety
27	Safety Detent Spring
28	Safety Detent Plunger
* 29	Safety Lever, Left
30	Safety Lever, Right
31	Safety Lever Screw
* 32	Main Spring Housing
33	Hammer Spring

* PARTS SO MARKED MUST BE FACTORY FIT.

Key No.	Part Name
34	Hammer Spring Plunger
35	Latch Spring
* 36	Latch
37	Bolt Stop Cross Pin Retainer
* 38	Bolt Stop Pin
39	Bolt Stop Cross Pin
40	Bolt Stop Thumb Piece
41	Magazine Release Helper Spring
42	Magazine Release Helper Plunger
43	Magazine Release Helper Plunger Pin
44	Grip Panel Screw
45	Right Grip Panel
46	Left Grip Panel
47	Magazine

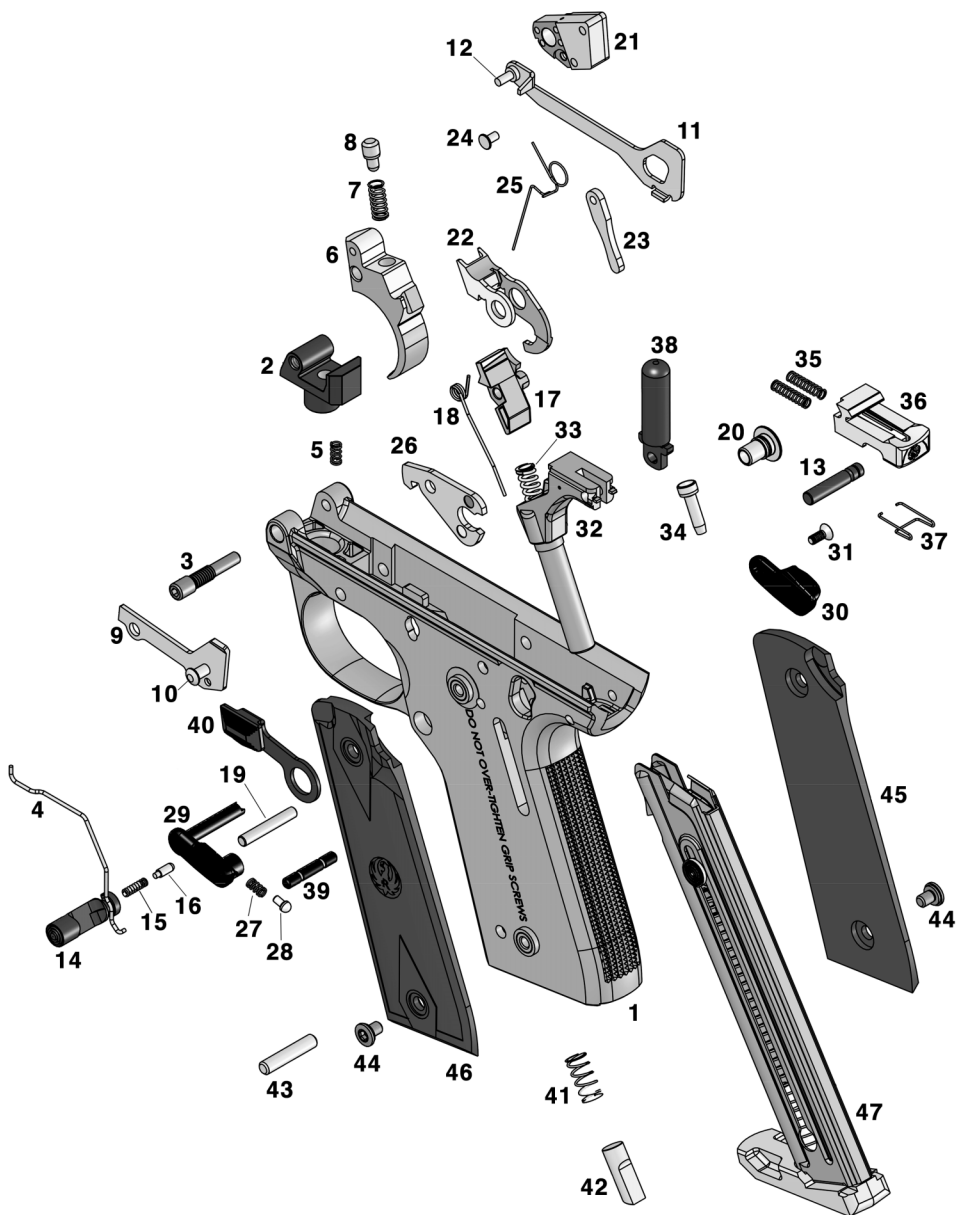
RUGER® MARK IV™ 22/45™ LITE PISTOL BARREL/RECEIVER ASSEMBLY COMPONENT PARTS

(See Exploded View on page 42)

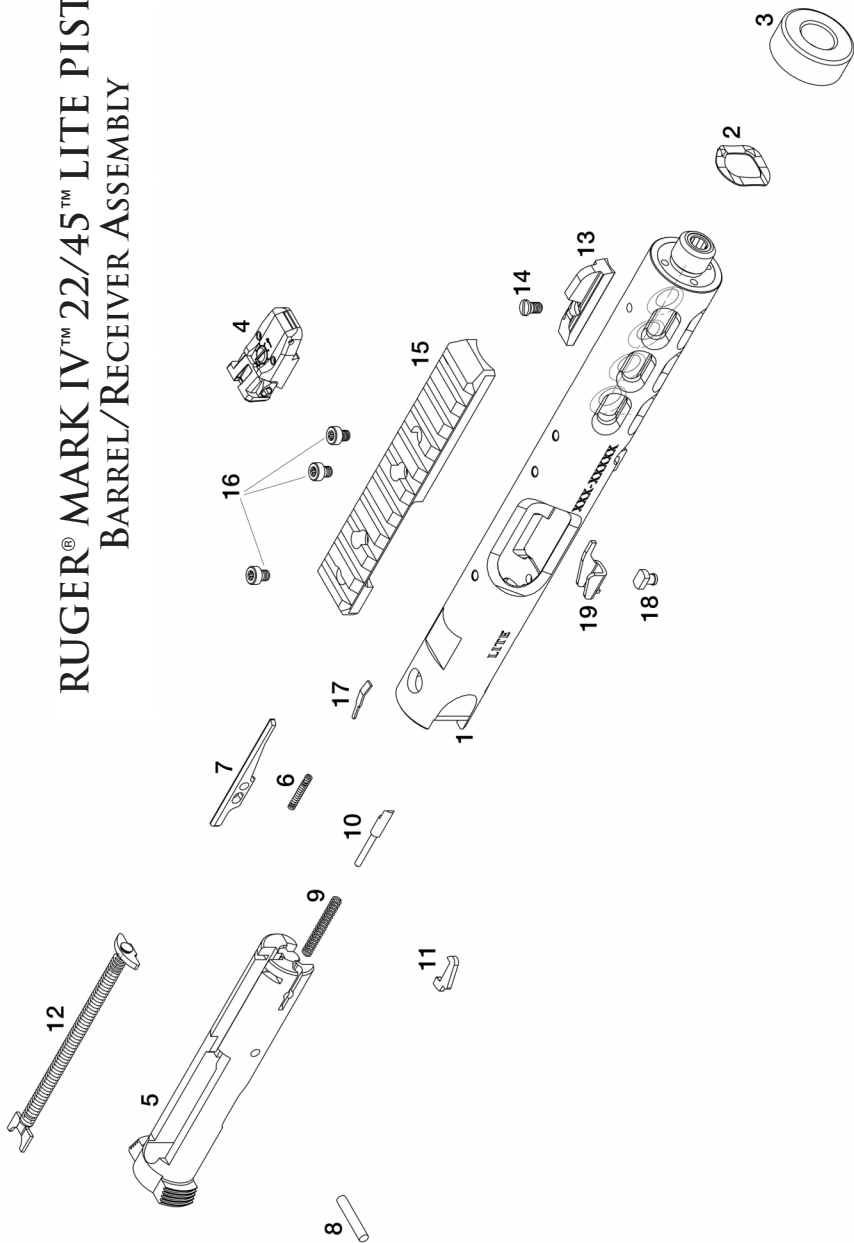
Key No.	Part Name
† 1	Barrel/Receiver Assembly
2	Barrel Cap Washer
3	Barrel Cap
4	Rear Sight Assembly
5	Bolt
6	Firing Pin Spring
7	Firing Pin
8	Firing Stop Pin
9	Extractor Spring
10	Extractor Plunger
11	Extractor
12	Guide Rod Assembly
13	Front Sight
14	Front Sight Screw
15	1911-Style Scope Base
16	Scope Base Screws, 3 Req'd
17	Rebound Spring Support
18	Ejector Rivet
19	Ejector

† Because it is a serial-numbered component, the RUGER® MARK IV™ 22/45™ LITE pistol barrel/receiver assembly is defined as a “firearm” by Federal Law and is not offered for sale separately.

RUGER® MARK IV™ 22/45™ LITE PISTOL EXPLODED VIEW



RUGER® MARK IV™ 22/45™ LITE PISTOL BARREL/RECEIVER ASSEMBLY



THE BASIC RULES OF SAFE FIREARMS HANDLING

We believe that Americans have a right to purchase and use firearms for lawful purposes. The private ownership of firearms in America is traditional, but that ownership imposes the responsibility on the gun owner to use his firearms in a way which will ensure his own safety and that of others. When firearms are used in a safe and responsible manner, they are a great source of pleasure and satisfaction, and represent a fundamental part of our personal liberty.

Firearms do not cause accidents! Firearms accidents are almost always found to have been the result of carelessness or ignorance on the part of the shooter of the basic rules of safe gun handling.

The following rules must be observed by gun users at all times. Safe gun handling is not just desirable, it is absolutely essential to your safety, the safety of others, and the continuation of gun ownership and sport shooting as we know it today.

1. LEARN THE MECHANICAL AND HANDLING CHARACTERISTICS OF THE FIREARM YOU ARE USING.



Not all firearms are the same. The method of carrying and handling firearms varies in accordance with the mechanical provisions for avoiding accidental discharge and the various proper procedures for loading and unloading. No person should handle any firearm without first having thoroughly familiarized himself with the particular type of firearm he is using, and with safe gun handling in general.

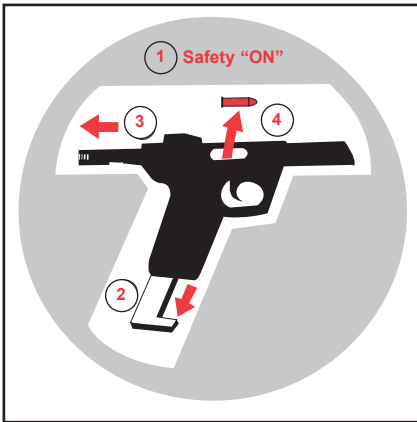
2. ALWAYS KEEP THE MUZZLE POINTED IN A SAFE DIRECTION.



Be sure of the bullet stop behind your target, even when dry-firing. Never let the muzzle of a firearm point at any part of your body or at another person. This is particularly important when loading or unloading a firearm. In the event of an accidental discharge, no injury can occur as long as the muzzle is pointing in a safe direction. A safe direction means a direction that will not permit a discharged bullet to strike a person, or to strike an object from which the bullet may ricochet.

A safe direction must take into account the fact that a bullet may penetrate a wall, ceiling, floor, window, etc., and strike a person or damage property. Make it a habit to know exactly where the muzzle of your gun is pointing whenever you handle it, and be sure that you are always in control of the direction in which the muzzle is pointing, even if you fall or stumble. Keep your finger off the trigger until you are ready to shoot!

3. FIREARMS SHOULD BE UNLOADED WHEN NOT IN USE.



Firearms should be loaded only when you are in the field or on the target range or shooting area, ready to shoot. Firearms and ammunition should be securely locked in safes, racks or cabinets, or by using the locking device supplied with the firearm, when not in use. Ammunition should be safely stored separate from firearms. Store your firearms out of sight of visitors and children. It is the gun owner's responsibility to be certain that

children and persons unfamiliar with firearms cannot gain access to firearms, ammunition, or components.

4. BE SURE THE BARREL IS CLEAR OF OBSTRUCTIONS BEFORE SHOOTING.

Even a bit of mud, snow or excess lubricating oil or grease in the bore may cause the barrel to bulge, or even burst on firing, and can cause serious injury to the shooter and bystanders. Be sure that you are using ammunition of the proper caliber and loading for the gun you are using. If the report or recoil on firing seems weak, or doesn't seem quite right, CEASE FIRING IMMEDIATELY, unload your firearm, and check to be sure that no obstruction has become lodged in the barrel.





5. BE SURE OF YOUR TARGET BEFORE YOU SHOOT.

Don't shoot unless you know exactly where your bullet is going to strike. Be sure of the bullet stop behind your target, even when dry-firing with an unloaded gun. If you are in the field hunting, do not fire at a movement or noise. Take the time to be absolutely certain of your target before you pull the trigger.

6. WEAR SHOOTING GLASSES AND HEARING PROTECTION WHEN YOU SHOOT.

All shooters should wear protective shooting glasses and adequate hearing protection when shooting. Exposure to shooting noise can damage hearing, and wearing adequate eye protection when shooting is essential.



7. NEVER CLIMB A TREE OR FENCE WITH A LOADED FIREARM.

Put the firearm down carefully before climbing a fence, and unload it before climbing or descending a tree or jumping over a ditch or other obstruction. Never pull or push a loaded firearm toward yourself or another person. When in doubt, or whenever you are about to do anything awkward, unload your gun!

8. DON'T SHOOT AT A HARD SURFACE OR AT WATER.

Bullets can glance off many surfaces like rocks or the surface of water and travel in unpredictable directions with considerable velocity.



9. NEVER TRANSPORT A LOADED FIREARM.

Firearms should always be unloaded before being placed in a vehicle. A suitable carrying case or scabbard should be used to carry an unloaded firearm to and from the shooting area.

10. AVOID ALCOHOLIC BEVERAGES WHEN SHOOTING.

Don't drink until the day's shooting is over. Handling firearms while under the influence of alcohol in any form, or medications that could affect your judgment or coordination, constitutes a criminal disregard for the safety of others.



A BRIEF ACCOUNT OF AN EXTRAORDINARY ACHIEVEMENT: RUGER® FIREARMS

Sturm, Ruger & Company, Inc., had its beginning in a small machine shop occupying a rented frame building in Southport, Connecticut. In January, 1949, with an initial investment of only \$50,000 and an idea, William B. Ruger and Alexander M. Sturm started production of a .22 caliber autoloading pistol—a design which was so successful that it became the cornerstone upon which one of the most comprehensive lines of sporting firearms ever made in America was established. After Alex Sturm's death in 1951, William B. Ruger continued to direct the Company until his death in 2002. William B. Ruger, Jr. continued to provide guidance, which helped make this Company a sound and successful enterprise, until his retirement in 2006. The Company has continued to prosper, under new management and guidance from our Board, with new products and fresh perspectives.

Ruger, in this relatively short time, has established itself as a leading small arms design organization, developing a unique and broad line of fine quality sporting, military and police firearms to become one of the world's most famous producers of revolvers, pistols, rifles and shotguns. Since 1949, Ruger craftsmen have built many millions of firearms.

During its five decades of growth and progress under the leadership of William B. Ruger, the Company developed a business philosophy and implemented policies which represent a constructive influence in the life of modern America. From the beginning, Ruger played a positive role in conservation efforts and has supported the interests of shooters through such groups as the National Rifle Association, National Shooting Sports Foundation, and many regional sportsmen's organizations.

The Company has always endeavored to market its firearms for constructive and recreational purposes, to emphasize the traditional and responsible aspects of shooting, to render meaningful public services, and to encourage shooters in constructive, responsible, and safe participation in the shooting sports. Its motto, "Arms Makers For Responsible Citizens®," exemplifies this Company philosophy.

Today, Ruger® is particularly mindful of those elements which have contributed to the creation of its success, and extends heartfelt thanks to its many loyal employees and customers.

Instruction manuals for all Ruger® firearms,
can be downloaded from our website at:

Ruger.com

WHY NO WARRANTY CARD HAS BEEN PACKED WITH THIS NEW RUGER® FIREARM

The Magnuson-Moss Act (Public Law 93-637) does not require any seller or manufacturer of a consumer product to give a written warranty. It does provide that if a written warranty is given, it must be designated as "limited" or as "full" and sets minimum standards for a "full" warranty. Sturm, Ruger & Company, Inc. has elected not to provide any written warranty, either "limited" or "full", rather than to attempt to comply with the provisions of the Magnuson-Moss Act and the regulations issued thereunder. There are certain implied warranties under state law with respect to sales of consumer goods. As the extent and interpretation of these implied warranties varies from state to state, you should refer to your state statutes. Sturm, Ruger & Company wishes to assure its customers of its continued interest in providing service to owners of Ruger® firearms.



STURM, RUGER & COMPANY, INC.
200 RUGER ROAD
PRESCOTT, ARIZONA 86301 U.S.A.
RUGER.COM

ARMS MAKERS FOR RESPONSIBLE CITIZENS®

**A COPY OF THE INSTRUCTION MANUAL FOR ANY RUGER®
FIREARM IS AVAILABLE FROM THE FACTORY FREE ON REQUEST, OR IT MAY BE
DOWNLOADED FROM OUR WEBSITE AT RUGER.COM.
THESE INSTRUCTION MANUALS CONTAIN IMPORTANT
WARNINGS WHICH MUST BE UNDERSTOOD
BEFORE USING THESE FIREARMS.**

The Following are Sturm, Ruger & Co., Inc. Trademarks: "All-Weather," "Bisley," "Gold Label," "I'm a Ruger American," "LC6," "LCR-357," "LC380CA," "Mark II," "Mark III," "Mark IV," "MAX-9," "Model 96," "P345," "P345D," "P345PR," "P85," "P89," "P90," "P91," "P93," "P94," "P95," "P97," "PC Carbine," "R.I.O.S.," "Ruger-5.7," "Ruger Marksman Adjustable," "Ruger 77/50," "Ruger 10/17," "Security-Six," "Service-Six," "77/357," "Single-Seven," "Speed-Six," "SR45," "SR-556C," "SR-556VT," "Super Bearcat," "Target Grey," "10/22-FS," "This is Ruger. This is America," "Tri-Flex," "22 Charger," "22/45," "22/45 RP," and "Your Next Handgun."

The Following are Registered U.S. Trademarks Belonging to Sturm, Ruger & Co., Inc.: "AC-556," "AR-556," "Arms Makers For Responsible Citizens," "Bearcat," "Blackhawk," "BX-15," "BX-25," "BX-Trigger," "Eagle - solid logo design, Eagle Hard 'R' logo holding gun, Eagle 'R' - soft 'R' & hard 'R' logo design, Eagle w/SR, Eagle w/soft 'R' linear logo design, Eagle w/hard 'R' linear logo design, Eagle w/soft 'R' stacked logo design, Eagle w/hard 'R' stacked logo design, Eagle w/soft 'R' linear logo design & "Rugged, Reliable Firearms" below logo, Eagle w/hard 'R' linear logo design & "Rugged, Reliable Firearms" below logo, "EC9s," "Elite 452," "GP100," "Hawkeye," "It's Mine and It's American," "It's Mine. And It's American," "LC380," "LC9," "LC9s," "LC9s Pro," "LCP," "LCR," "LCRx," "M77," "Match Champion," "Mini-14," "Mini Thirty," "9E," "Old Army," "Power Bedding," "Redhawk," "RUGER," "Ruger American," "Ruger American Pistol," "Ruger American Pistol" flag design, "Ruger American Rifle," "Ruger American Rimfire," "Ruger Custom Shop," "Ruger Hunting" - phrase & logo design, "Ruger Precision," "Ruger Precision Rifle" - phrase & logo design, "Ruger 77/17," "Ruger 77/22," "Ruger 77/44," "Ruger SP101," "Ruger 10/22 Takedown" phrase & logo design, "Ruger Titanium," "Ruger 22/45 Lite," "Ruger Vaquero," "Rugged, Reliable Firearms," "Security-9," "Silent-SR," "Single-Nine," "Single-Six," "Single-Ten," the "SR" Design, "SR9," "SR9c," "SR40," "SR40c," "SR-22," "SR22," "SR-556," "SR-556 Takedown," "SR-762," "SR1911," "Super Redhawk Alaskan," "10/22," & "Wrangler."