

INSTRUCTION MANUAL FOR

BLUED &
STAINLESS
STEEL



CALIBER
22 Long Rifle

RUGER® MARK III™

STANDARD, TARGET, GOVERNMENT TARGET,
COMPETITION, HUNTER AND 22/45™ MODELS

AUTOLOADING PISTOLS



– RUGGED, RELIABLE FIREARMS® –



**READ THE INSTRUCTIONS AND
WARNINGS IN THIS MANUAL CAREFULLY
BEFORE USING THIS FIREARM**

© 2015 Sturm, Ruger & Co., Inc.

This manual may not be reproduced in whole or in part without the express written permission of Sturm, Ruger & Co., Inc.

**For Service on This Model Please Call:
(928) 541-8892 (See p. 34)**

THIS INSTRUCTION MANUAL SHOULD ALWAYS ACCOMPANY THIS FIREARM AND BE TRANSFERRED WITH IT UPON CHANGE OF OWNERSHIP, OR WHEN THE FIREARM IS LOANED OR PRESENTED TO ANOTHER PERSON

WWW.RUGER.COM

AP & KAP 9/15 R15

State-By-State Warnings

Certain states require by law that their own specified warning notices in larger-than-normal type be conspicuously included by the manufacturer, distributor or retailer with firearms sold in that state. Sturm, Ruger & Co., Inc. sells its products in compliance with applicable laws and regulations. Because our products may be sold in these states, we include the following:

California:

WARNING

“Children are attracted to and can operate firearms that can cause severe injuries or death. Prevent child access by always keeping guns locked away and unloaded when not in use. If you keep a loaded firearm where a child obtains and improperly uses it, you may be fined or sent to prison.”

ADVERTENCIA

“A los niños los atraen las armas de fuego y las pueden hacer funcionar. Ellos pueden causarse lesiones graves y la muerte. Evite que los niños tengan acceso a las armas de fuego guardándolas siempre con llave y descargadas cuando no las esté utilizando. Si usted tiene un arma de fuego cargada en un lugar en que un niño tiene acceso a ella y la usa indebidamente, le pueden dar una multa o enviarlo a la cárcel.”

Connecticut:

“UNLAWFUL STORAGE OF A LOADED FIREARM MAY RESULT IN IMPRISONMENT OR FINE.”

Florida:

“IT IS UNLAWFUL, AND PUNISHABLE BY IMPRISONMENT AND FINE, FOR ANY ADULT TO STORE OR LEAVE A FIREARM IN ANY PLACE WITHIN THE REACH OR EASY ACCESS OF A MINOR UNDER 18 YEARS OF AGE OR TO KNOWINGLY SELL OR OTHERWISE TRANSFER OWNERSHIP OR POSSESSION OF A FIREARM TO A MINOR OR A PERSON OF UNSOUND MIND.”

Maine:

“ENDANGERING THE WELFARE OF A CHILD IS A CRIME. IF YOU LEAVE A FIREARM AND AMMUNITION WITHIN EASY ACCESS OF A CHILD, YOU MAY BE SUBJECT TO FINE, IMPRISONMENT OR BOTH. KEEP FIREARMS AND AMMUNITION SEPARATE. KEEP FIREARMS AND AMMUNITION LOCKED UP. USE TRIGGER LOCKS.”

Maryland:

“WARNING: Children can operate firearms which may cause death or serious injury. It is a crime to store or leave a loaded firearm in any location where an individual knew or should have known that an unsupervised minor would gain access to the firearm. Store your firearm responsibly!”

Massachusetts:

“WARNING FROM THE MASSACHUSETTS ATTORNEY GENERAL: This handgun is not equipped with a device that fully blocks use by unauthorized users. More than 200,000 firearms like this one are stolen from their owners every year in the United States. In addition, there are more than a thousand suicides each year by younger children and teenagers who get access to firearms. Hundreds more die from accidental discharge. It is likely that many more children sustain serious wounds, or inflict such wounds accidentally on others. In order to limit the chance of such misuse, it is imperative that you keep this weapon locked in a secure place and take other steps necessary to limit the possibility of theft or accident. Failure to take reasonable preventive steps may result in innocent lives being lost, and in some circumstances may result in your liability for these deaths.”

“IT IS UNLAWFUL TO STORE OR KEEP A FIREARM, RIFLE, SHOTGUN OR MACHINE GUN IN ANY PLACE UNLESS THAT WEAPON IS EQUIPPED WITH A TAMPER-RESISTANT SAFETY DEVICE OR IS STORED OR KEPT IN A SECURELY LOCKED CONTAINER.”

New Jersey:

“IT IS A CRIMINAL OFFENSE TO LEAVE A LOADED FIREARM WITHIN EASY ACCESS OF A MINOR.”

New York City:

“THE USE OF A LOCKING DEVICE OR SAFETY LOCK IS ONLY ONE ASPECT OF RESPONSIBLE FIREARMS STORAGE. FOR INCREASED SAFETY, FIREARMS SHOULD BE STORED UNLOADED AND LOCKED IN A LOCATION THAT IS BOTH SEPARATE FROM THEIR AMMUNITION AND INACCESSIBLE TO CHILDREN AND OTHER UNAUTHORIZED PERSONS.”

North Carolina:

“IT IS UNLAWFUL TO STORE OR LEAVE A FIREARM THAT CAN BE DISCHARGED IN A MANNER THAT A REASONABLE PERSON SHOULD KNOW IS ACCESSIBLE TO A MINOR.”

Texas:

“IT IS UNLAWFUL TO STORE, TRANSPORT, OR ABANDON AN UNSECURED FIREARM IN A PLACE WHERE CHILDREN ARE LIKELY TO BE AND CAN OBTAIN ACCESS TO THE FIREARM.”

Wisconsin:

“IF YOU LEAVE A LOADED FIREARM WITHIN THE REACH OR EASY ACCESS OF A CHILD YOU MAY BE FINED OR IMPRISONED OR BOTH IF THE CHILD IMPROPERLY DISCHARGES, POSSESSES, OR EXHIBITS THE FIREARM.”

* * * * *

Please check with your licensed retailer or state police for additional warnings which may be required by local law or regulation. Such regulations change constantly, and local authorities are in the best position to advise you on such legal matters.

FIREARMS SAFETY IS YOUR RESPONSIBILITY
**SAFETY MUST BE THE FIRST AND CONSTANT
CONSIDERATION OF EVERY PERSON WHO HANDLES
FIREARMS AND AMMUNITION.**

This Instruction Manual is designed to assist you in learning how to use and care for your RUGER® MARK III™ pistols properly. Please contact us if you have any questions.

Only when you are certain you fully understand the manual and can properly carry out its instructions should you practice loading, unloading, etc. with live ammunition. If you have any doubts about your ability to handle or use a particular type of gun safely, you should seek supervised instruction. Such personalized instruction often is available from local gun retailers, gun clubs or police departments. If none of these sources can help, visit www.nra.org or write to the following address:

National Rifle Association
11250 Waples Mill Road
Fairfax, VA 22030-7400

The person possessing a gun has a full-time job. You cannot guess; you cannot forget. You must know how to use your firearm safely. **Do not use any firearm without having a complete understanding of its particular characteristics and safe use.** Remember: There is no such thing as a foolproof gun.

TABLE OF CONTENTS

State-ByState Warnings	2
Nomenclature	7
Locking Device Installation Instructions	8
Operation of Internal Lock	10
General Information and Mechanical Characteristics	11
Operation of Manual Safety (Illustrations)	13
Ammunition	14
To Load and Fire	15
Operation of Magazine Disconnect	17
Operation of Loaded Chamber Indicator	17
To Unload	18
To Extract and Eject a Chambered Cartridge	20
To Clear a Malfunction (“Jam”)	21
To Minimize Malfunctions (“Jams”)	21
Disassembly	22
Reassembly	23
Magazine Disassembly	27
Care and Cleaning	28
Storage	30
Sight Adjustment	31
Changing LitePipe on HiViz Sight (Hunter Models Only)	31
Instructions for Attaching Scope Base	32
Muzzle Cap Removal Instructions	32
Service and Parts Policy	34
Shipping Firearms For Repair	34
Ordering Parts	35
Parts List	36
Exploded Views	38 & 39
Component Parts Lists & Exploded Views	40 & 41
The Basic Rules of Safe Firearms Handling	43
Warranty Information	48

“RUGER” is a registered U.S. trademark. “22/45” and “Mark III” are Sturm, Ruger Trademarks.



WARNINGS OF GREAT IMPORTANCE ARE FOUND ON THE FOLLOWING PAGES:

Locking Devices	8	Malfunctions	21
Alterations	11	Disassembly	23
Manual Safety	13	Lubrication	29
Ammunition	14	Storage	30
Lead Exposure	14	Barrel Nut - 22/45 LITE™	33
Firing	16	Shipping	34
Handling	17	Parts Purchasers	35
Loaded Chamber Indicator	18		

OTHER CAUTIONS AND WARNINGS APPEAR THROUGHOUT THE MANUAL.

NOMENCLATURE

All Mark III's other than 22/45™ Models

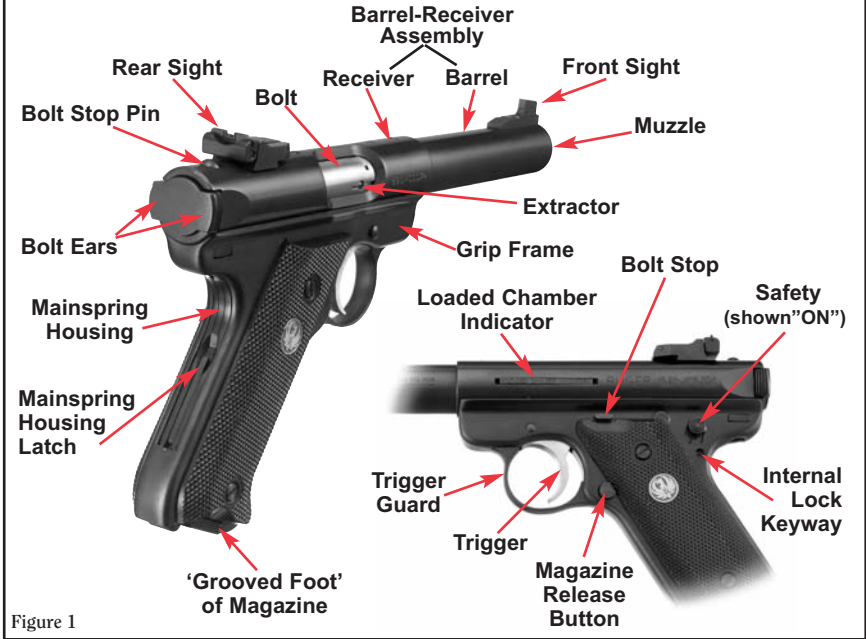


Figure 1

22/45™ Mark III's (P4GC shown below)

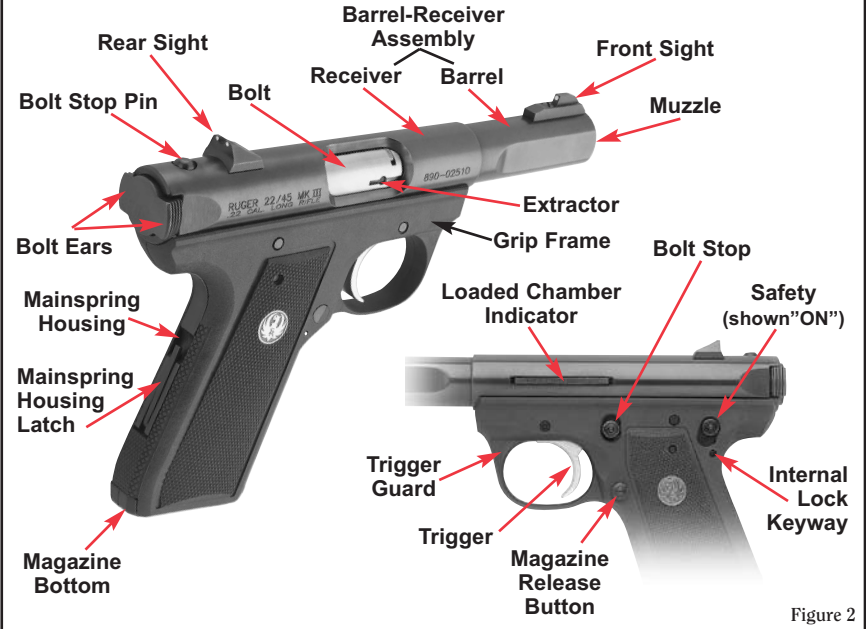


Figure 2

LOCKING DEVICE INSTALLATION INSTRUCTIONS



WARNING – USE OF LOCKING DEVICES



**Do not store keys
in lock.**

- Always keep your firearm pointed in a safe direction, including when you are installing or removing your locking device.
- Always verify that your firearm is completely **unloaded** before installing your locking device.
- Do **not** install locking devices in the trigger guard; always keep your fingers and locking device outside the trigger guard during device installation and removal.
- Store firearms, ammunition and keys separately and securely, away from children and careless adults; do **not** store your firearm with the keys in the locking device.
- Do not attempt to work the action of your firearm with the locking device in place; this may damage your firearm.
- While locking devices are an important aid to security measures, they are not a substitute for safe firearm handling and proper storage. Remember that any mechanical device can be bypassed with enough time, knowledge, determination and equipment.

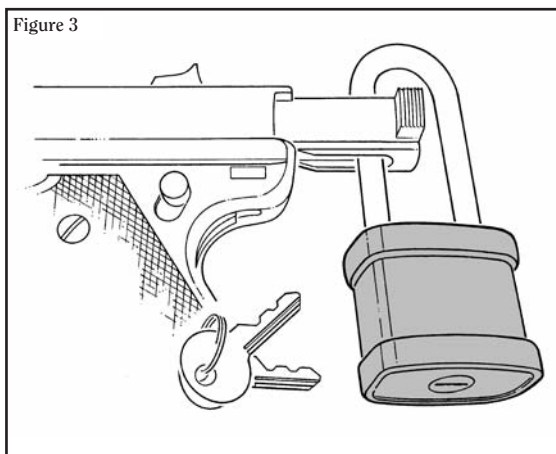
**LOCKING DEVICES MUST BE USED
SAFELY AND RESPONSIBLY**

Use the Correct Lock: While the basic locking device is substantially similar for all Ruger® firearms, due to the different shapes of the many Ruger® firearms, some firearms utilize different locking devices. The lock with the 50mm lock body 1-1/2” shackle (without the vinyl coating) is for use with RUGER® MARK III™ & 22/45™ pistols. **It is very important to use the correct locking device!**

To Install the Factory-Supplied Locking Device:

1. **Keep the muzzle pointed in a safe direction and your fingers outside the trigger guard at all times!**
2. **Be sure the firearm and its magazine are completely unloaded and contain no cartridges or cartridge cases! Remove the magazine from your pistol.**

3. Open the action completely. Use the bolt stop to keep the action open during installation of the locking device.
4. Apply the lock by placing the shackle of the lock into the slot in the bolt as shown in Figure 3, below.
5. Close the lock by pressing the shackle into the body of the lock (the part that receives the key) as tightly together as possible. The lock has bumpers that will not harm the metal finish of your firearm; be careful not to dent the frame or grip panels of the pistol.
6. Once the lock is securely closed, remove the key. Pull firmly on the lock to test the connection and be sure it is locked. **Do not leave or store your firearm with the key in the lock!** Store your locked unloaded firearm and the key in secure, separate locations, away from ammunition, children, or unauthorized adults.



***Correct Installation of Lock For
Ruger® Mark III™ & 22/45™ Pistols Only***

OPERATION OF INTERNAL LOCK

Never rely upon any safety mechanism or mechanical device to justify unsafe or careless handling of a firearm. When securing your pistol or to prevent unauthorized access, you should completely unload the pistol and store it in a gun safe or use the key-operated external locking device supplied with your pistol. (See Page 8.) However, for added security, and to comply with certain state and local laws, your RUGER® MARK III™ pistol is also equipped with an internal lock. When actuated, this internal lock will secure the pistol's manual safety in the "on" or "safe" position.

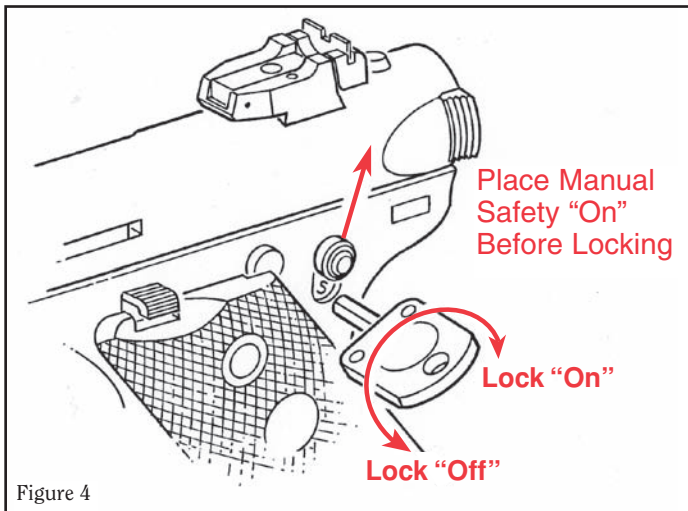
Before activating the internal lock on your pistol, first visually inspect the chamber and magazine to verify that they are empty and do not contain any cartridges.

To activate the internal lock, place the manual safety in the "on" or "safe" position. (Note that the pistol must be cocked to engage the safety.) Next, place the internal lock key (supplied with your pistol) into the internal lock keyway. (See "Nomenclature," p. 7.) Rotate the key fully clockwise (about 1 3/4 of a rotation from the fully unlocked position) until it stops. (See Figure 4.) Remove the key and verify that the internal lock engaged by attempting to move the safety to the "off" or "fire" position. If the internal lock is engaged, you will not be able to move the safety to the "off" or "fire" position.

To deactivate the internal lock, place the internal lock key into the internal lock keyway (see "Nomenclature," p. 7) and rotate the key counter-clockwise (about 1 3/4 turns from the fully locked position) until it stops. (See Figure 4.)

Be sure to store the internal lock key in a secure location, away from children and careless adults. Do not store your firearm with the key in the internal lock keyway. **Never lock a loaded gun – always unload the gun before locking.**

OPERATION OF INTERNAL LOCK



**FIREARMS ARE DANGEROUS WEAPONS
READ THE INSTRUCTIONS AND WARNINGS IN THIS
MANUAL THOROUGHLY AND CAREFULLY
BEFORE USING.**

 WARNING—ALTERATIONS	
	This product was designed to function properly in its original condition. Alterations can make it unsafe. Do not alter any part or add or substitute parts or accessories not made by Sturm, Ruger & Co., Inc.
	DO NOT ALTER ANY GUN

GENERAL INFORMATION AND MECHANICAL CHARACTERISTICS

RUGER® MARK III™ pistols are differentiated from Ruger Mark I and Mark II pistols by certain external differences in markings and exterior components (magazine latch, bolt, ejection port, sights, and grip configuration) and by the presence of certain new features for which patents are pending such as internal locks, loaded chamber indicators, and magazine disconnects.

The RUGER® MARK III™ Standard model is a .22 caliber rimfire, 10-shot, magazine fed, autoloading ('blowback') operated pistol.

The RUGER® GOVERNMENT TARGET MODEL MARK III™ has a longer, heavyweight barrel just like pistols delivered to the U.S. Government for target shooting and training.

The RUGER® COMPETITION MODEL MARK III™ has a slab-sided, heavyweight barrel with target grips.

The RUGER® 22/45™ has a grip frame assembly made of molded synthetic polymer, with a grip shape and angle generally similar to "1911"-style .45 caliber pistols.

RUGER® MARK III™ HUNTER models feature a 6 7/8" target-crowned, fluted bull barrel, a micro-adjustable V-notch rear sight, and a HiViz® light-gathering front sight.

All RUGER® MARK III™ pistols have the same basic operating mechanism and include the following features with which the gun user should be thoroughly familiar:

Bolt Stop: When the last shot has been fired and the magazine is empty, the bolt stop automatically holds the bolt open. When there is an empty magazine in the pistol and the bolt is retracted manually, the bolt stop will automatically hold the bolt open. If a loaded magazine is inserted in the pistol when the bolt is closed and the bolt is then retracted fully, the bolt stop will not automatically hold open the bolt. The user can actuate the bolt stop mechanism to hold the bolt open at any time by retracting the bolt and pushing up the bolt stop.

The bolt stop can be released when an empty magazine is in the pistol by drawing back slightly on the bolt and depressing the bolt stop thumbpiece. When the bolt is released, it will move forward under pressure from the recoil spring.

The bolt stop is spring-loaded or detented in position. Therefore, when there is a loaded magazine in place and the pistol is jarred, the bolt may fly forward and chamber a cartridge. **For this reason and as an essential safety practice, the safety of the pistol should always be in the “on” (S) position except when the user is firing the gun at a selected target.**

Magazines: The 10-shot magazine (Part M10MKIII) for the RUGER® MARK III™ pistol is different from all other Ruger rimfire pistols. In addition to the familiar removable plastic bottom decorated with a silver “eagle,” the M10MKIII magazine has a trigger interlock window and protrusion. (See “Magazine Nomenclature,” p. 27.) The M10MKIII is the only magazine that should be used in RUGER® MARK III™ pistols because it is designed to correctly function the bolt stop and magazine disconnect.

The RUGER® 22/45™ pistol uses a different 10-shot magazine (Part AP10MKIII) which is identified by its removable elongated plastic bottom. The AP10MKIII magazine is distinguishable from earlier 22/45 magazines by the presence of the trigger interlock window and protrusion. (See “Magazine Nomenclature,” p. 27.) Note that the AP10MKIII is not interchangeable with the M10MKIII magazine described above. (See “Magazine Nomenclature,” p. 27.) The AP10MKIII is the **only** magazine that should be used in the RUGER® 22/45™ pistols because it is designed to correctly function the bolt stop and magazine disconnect.

Safety: The safety locks the sear when the safety is “on.” Because the safety cannot be moved to its “on” (S) position unless the hammer is cocked, the safety therefore serves as a cocking indicator. The bolt can be manually retracted and released when the safety is “on” (S). This feature allows the pistol to be loaded or unloaded when the safety is “on” (S). **As shown below and elsewhere in this Manual, the safety should be “on” (the “S” fully showing) at all times except when the gun user is deliberately positioned to fire at a selected target.**

OPERATION OF MANUAL SAFETY



Figure 5. Safety in the “off” or “fire” (F) position. Safety is all the way down.





Figure 6. Safety in the “on” or “safe” (S) position. Safety is all the way up.

The Safety is not “on” unless it “clicks” fully up into the “S” position.

! WARNING – MANUAL SAFETY	
	Putting the safety between “S” and “F” can result in the pistol firing when the trigger is pulled. Always move the safety fully to its intended position and <u>check</u> it. The safety is not “on” unless it is completely “on.” Never depend on a safety mechanism or any other mechanical device to justify careless handling or permitting the pistol to point in an unsafe direction. The only “safe” pistol is one in which the chamber is open, the chamber is empty and there is no magazine in the gun.
NEVER PUT SAFETY 1/2 ON	



AMMUNITION

The RUGER® MARK III™ and 22/45™ pistols are chambered only for the 22 Long Rifle cartridge, standard velocity or high velocity, manufactured to U.S. Industry Standards. Do not attempt to load 22 Long, 22 Short or any other type .22 caliber cartridge into the magazine or in the chamber of the pistol. Use of .22 shot shells is not recommended. See “Warning - Malfunctions,” p. 21.

 WARNING – AMMUNITION	
	Death, serious injury, and damage can result from the wrong ammunition, bore obstructions, powder overloads or incorrect cartridge components. .22 cases are very thin and sometimes split when fired. <u>Always</u> wear shooting glasses and hearing protection.
IMPROPER AMMUNITION DESTROYS GUNS	

AMMUNITION (CARTRIDGES) NOTICE

WE SPECIFICALLY DISCLAIM RESPONSIBILITY FOR ANY DAMAGE OR INJURY WHATSOEVER OCCURRING IN CONNECTION WITH, OR AS THE RESULT OF, THE USE IN RUGER® PISTOLS OF FAULTY, OR NONSTANDARD OR “REMANUFACTURED” OR HANDLOADED (RELOADED) AMMUNITION OR OF CARTRIDGES OTHER THAN THOSE FOR WHICH THE FIREARM WAS ORIGINALLY CHAMBERED.

 WARNING – LEAD EXPOSURE	
	Discharging firearms in poorly ventilated areas, cleaning firearms or handling ammunition may result in exposure to lead and other substances known to the State of California to cause birth defects, reproductive harm, and other serious physical injury. Have adequate ventilation at all times. Wash hands thoroughly after exposure.
SHOOTING OR CLEANING GUNS MAY EXPOSE YOU TO LEAD	

TO LOAD AND FIRE

Practice this important aspect of gun handling (with an unloaded pistol) until you can perform each of the steps — described below — with skill and confidence. But before you do anything with the pistol, first read completely through this manual.

1. **Keep the muzzle pointed in a safe direction.** (See Rule 2, p. 43.)
2. Push the magazine release button and pull the magazine down out of the grip frame by its foot.
3. Grasp the grooved ears of the bolt and pull the bolt to the rear as far as it will go. (See Figure 7, below.) This cocks the hammer and must be done before the safety can be put on.



Figure 7

4. **Engage the safety by moving it fully upward so the “S” shows completely.** (See Figure 6, p. 13.)
5. Put ten (10) or fewer 22 Long Rifle cartridges into the magazine. In loading the magazine make sure that all of the cartridges lie parallel and evenly in the magazine. The follower button on the left side of the magazine is used to lower the follower so the cartridges can be readily inserted.




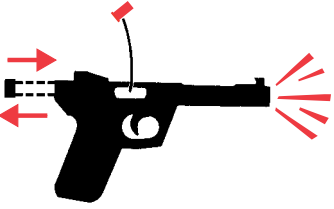
CAUTION: When using the follower button, have it under control. When loading or handling the magazine, do not pull the button down and then release it suddenly. The rim of the cartridge hitting the magazine lips may set off a sensitive primer and cause the cartridge case to discharge, burst violently, and result in injury.

6. Insert magazine into pistol, taking care that the magazine is fully inserted and locked in place. **NOTE:** Be sure the magazine follower button is to the left as you insert the magazine into the pistol. ***Inserting the magazine backwards may cause the magazine to become lodged in place.*** Slamming the magazine into the grip frame is not necessary.
7. **Don't touch the trigger.** Pull the bolt to the rear as far as it will go. (See Figure 4, above.) Release the bolt so that it will fly forward. (On 22/45 models, the bolt stop must also be depressed to permit the bolt to fly forward.) This will place a cartridge into the firing chamber. **If the pistol is not to be fired immediately, the safety button should remain “on” — with the “S” showing.** (See Figure 6, p. 13.)

Once the safety is pushed down so the “F” shows, the pistol will fire a cartridge each time the trigger is pulled, until all of the cartridges in the magazine, and the one in the chamber, have been fired.



8. The pistol is ready for instant use once the safety is disengaged. Firing will automatically reload and recock the pistol. **Note that every time the trigger is pulled, if a cartridge is in the chamber and the safety is “off,” the pistol will fire — be careful!**

 WARNING – FIRING	
	The bolt automatically opens and shuts quickly while firing. Keep face and hands away from rear. Hot brass is ejected quickly and can burn you. Always wear shooting glasses and hearing protectors.
BOLT OPENS FAST - HOT BRASS EJECTED	

9. Immediately following the firing of a shot, and if a subsequent shot is not to be fired at once, put the safety in its “safe” position while the pistol is still pointing in a safe direction down range. Never put a loaded pistol down with the safety off!



10. When the last cartridge loaded into the pistol has been fired, the magazine follower presses the slide stop upward to engage the slide automatically holding the action open. **If the slide is shut, the shooter should always assume that there is a cartridge in the chamber!**

Don't rely on your memory to know if a gun or magazine is loaded. With the pistol pointed in a safe direction, visually inspect the magazine and the chamber.

OPERATION OF MAGAZINE DISCONNECT

Your RUGER® MARK III™ pistol is equipped with a magazine disconnect. This device prevents the trigger from being pulled if the magazine is removed from the pistol. You will not be able to use your pistol as a single loader or to fire the pistol with the magazine removed.

Remember that a round may still be in the chamber and that the pistol may still be loaded even if the magazine is removed. As always, you should not rely upon the magazine disconnect or any other mechanical device or safety to justify careless or unsafe handling of any firearm.

Don't rely on your memory to know if a gun or magazine is loaded. With the pistol pointed in a safe direction, visually inspect the magazine and the chamber.

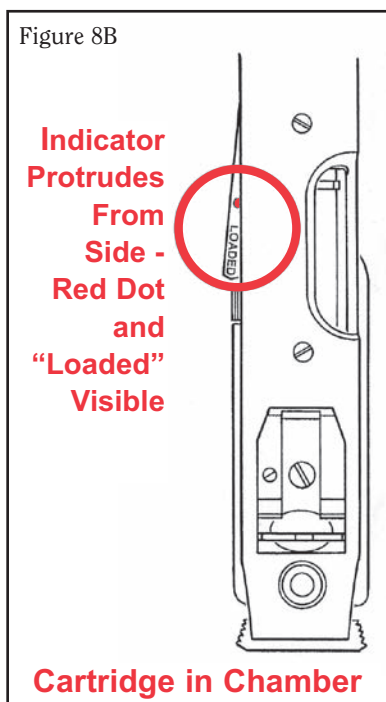
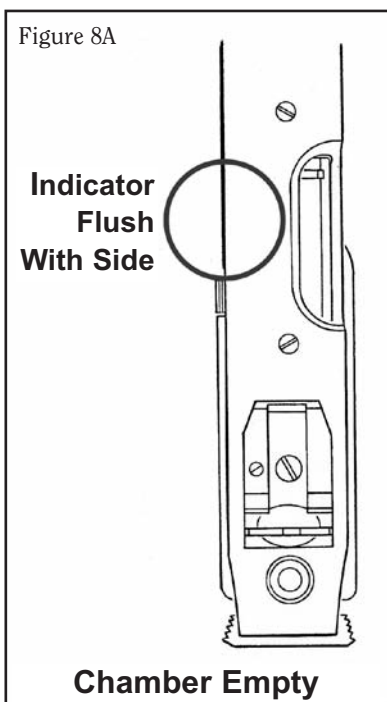
OPERATION OF LOADED CHAMBER INDICATOR

You should always treat every gun as though it is loaded and always keep the muzzle pointed in a safe direction. Never rely upon any safety or mechanical device to justify unsafe or careless gun handling. In order to assist you in determining the presence of a cartridge in the chamber of your RUGER® MARK III™ pistol, it is equipped with a loaded chamber indicator, the first such device on a .22 caliber pistol. The indicator appears on the left side of the receiver. (See "Nomenclature," p. 7.)

When the chamber is empty, the loaded chamber indicator should be flush with the left side of the receiver. (See Figure 8A, p. 18.)

When the chamber is loaded, the rearmost portion of the loaded chamber indicator should protrude from the left side of the receiver, and a red dot also should be visible on the forward top portion of the loaded chamber indicator. (See Figure 8B, below.)

OPERATION OF LOADED CHAMBER INDICATOR



! NEVER RELY ON YOUR MEMORY OR ANY LOADED CHAMBER INDICATOR TO KNOW IF A GUN IS LOADED. ANY MECHANICAL DEVICE CAN FAIL. ALWAYS VISUALLY CHECK THE CHAMBER BY RETRACTING THE BOLT AND EXAMINING THE CHAMBER TO BE SURE WHETHER IT IS EMPTY OR LOADED.

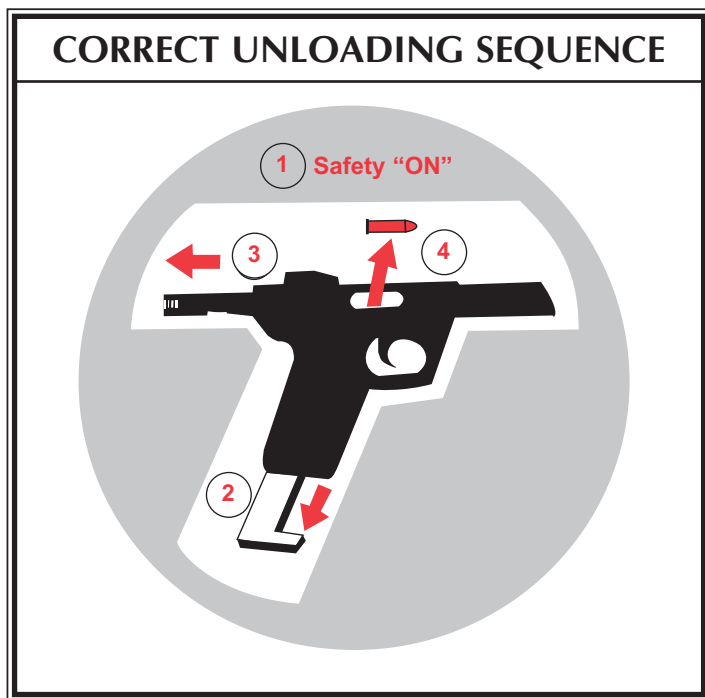
TO UNLOAD

NOTE: This sequence must be followed exactly as spelled out. Failure to do so can result in the pistol's chamber becoming unintentionally loaded with a cartridge.

1. The muzzle of the pistol must be pointing in a safe direction at all times, and fingers must be outside the trigger guard. If the pistol is cocked, put the safety "on" (S) by pushing safety button fully upward.
2. Remove the magazine from the pistol and place it where it will not get damaged or collect dirt. (REMEMBER that even though the magazine has been removed, a cartridge may still be in the chamber.)
3. Firmly hold pistol in right hand so that the right thumb is directly underneath the bolt stop. Grasp bolt ears firmly between thumb and forefinger of left hand

and briskly retract the bolt to its rearmost position. As the bolt nears the end of its retraction, the chambered cartridge should be extracted and ejected. When the bolt is fully retracted, push upward on bolt stop with thumb, then allow bolt to move forward slowly until it comes to rest against the bolt stop.

Always visually double check the chamber and the interior area of the receiver and the magazine-well to be certain there are no cartridges present. Gently shake the pistol to dislodge any cartridge which may have been ejected into the magazine-well when the bolt was retracted.



4. If desired, the bolt can be left in the open position, being held there by the bolt stop. If it is desired to close the bolt, again look to be certain the chamber is empty. Assuming that the magazine is not in the pistol and that the safety is “on” (S), retract the bolt to its rearmost position, release it, and the bolt will snap forward (on Mark III™ models). On 22/45™ models the bolt stop button must be depressed. Keep your fingers out of the receiver!
5. **With the muzzle pointed in a safe direction**, push the safety to the “off” (F) position and pull the trigger to decock the pistol. The pistol can be dry fired as long as the firing pin stop is in place (see NOTE in step 5 on page 25).
6. If the magazine contains cartridges, they can be removed by pressing down slightly on the magazine button (to ease the spring tension) with the thumb, and then sliding the cartridges forward and out of the magazine, one at a time until emptied.
7. Push empty (unloaded) magazine into grip frame until the latch locks it in place.




TO EXTRACT AND EJECT A CHAMBERED CARTRIDGE

When the pistol is fired, the same gas pressure that drives the bullet forward also acts through the cartridge case to push the bolt to the rear. That action causes extraction and ejection of the fired cartridge case. But, when the bolt is operated by hand, there can be a failure to extract the cartridge from the chamber, or a failure to eject the cartridge clear of the pistol. These failures usually are the result of the bolt not being pulled rearward vigorously, coupled with an accumulation of bullet lubricant in the chamber. From the foregoing it is clear that the gun user must:

1. **Always visually check the chamber after opening the bolt to eject a chambered cartridge.** If the bolt is not vigorously retracted when being operated by hand, the extracted cartridge can be ‘ejected’ into the grip frame of the magazine-well.
2. Thoroughly clean the chamber and extractor as often as necessary to prevent the accumulation of grease and dirt.
3. If an empty magazine is in the pistol when the bolt is being hand retracted to extract a cartridge, the cartridge may drop on top of the magazine. Then when the bolt goes forward, the cartridge will be chambered again! **Always remove the magazine before clearing the chamber, and visually ensure that no cartridges remain in the gun.**

TO CLEAR A MALFUNCTION (“JAM”)

1. Be certain the muzzle is pointed in a safe direction and the safety is “on” (S).
2. If possible, first remove the magazine. It may be necessary to manually remove a jammed cartridge which has only partially been stripped from the magazine. If so, use extreme care. Lock the bolt open with the bolt stop before attempting to clear the jam. Drawing the bolt fully to the rear may bring the jammed cartridge along. **Keep your face away from the ejection port during this operation.** When attempting to clear a jam, use only wood “tools” so that a cartridge will not be ignited if you strike a primer and so that the chamber and magazine will not be damaged. A 3/16" wood dowel rod with a point on one end is useful.
3. Visually check to make sure all cartridges have been removed from the pistol. Safely dispose of any cartridges involved in a malfunction incident. Do not use damaged ammunition in any firearm.

 WARNING – MALFUNCTIONS	
	The 22 Long Rifle rimfire cartridge fires when the firing pin impacts the relatively soft cartridge case rim, and also can be “discharged” before it is chambered if its rim receives a sharp blow. If a cartridge hangs up, jams or binds when being chambered or when being fed from the magazine into the chamber, do not attempt to force it into the chamber by pushing or striking the bolt. Any jam or feeding problem is a signal to immediately stop using the gun until it can be determined what is wrong. Most failures of a cartridge to feed or to chamber are caused by a damaged magazine, improper gun handling or defective ammunition. Whatever the cause, rimfire cartridge jams can result in the potentially very dangerous situation of a cartridge discharging before it is chambered. If this occurs, the cartridge case will rupture and its fragments will fly out of the gun with sufficient force to cause injury. Always wear shooting glasses and hearing protectors! Keep face away from chamber!
	CRUSHING RIM CAN BURST AMMO

TO MINIMIZE MALFUNCTIONS (“JAMS”)

1. If it appears that the gun and magazine are not at fault and that the jam was caused by the type of cartridge being used, then try another type.
2. If changing to another type or brand of cartridges does not at once eliminate malfunctions, then the following steps should be taken:

- a. Make certain the gun and the magazine are unloaded and that the safety is "on" (S). Remember, the magazine should be removed first, then check the chamber and be certain it and the magazine-well are clear of cartridges.
- b. Thoroughly clean the magazine and bolt mechanism, paying particular attention to removing accumulated grease. Use a bristle brush and solvent to remove grease and fouling from the bolt face, the extractor, the chamber, and the feed ramp. (See the "Care and Cleaning" section on page 28 of this manual for detailed cleaning instructions.)
- c. Check to see that the magazine spring tension is adequate.
- d. Check the magazine lips to be certain they are free of nicks and burrs and are not deformed.
- e. Remove excess oil and solvent from all cleaned components, load the magazine, and try the firearm again. As always, proceed slowly. **Be certain bystanders are not close and that you are wearing eye and hearing protection and that your face is a safe distance from the pistol so that any discharge resulting from a jammed cartridge will not injure anyone.**

If the above procedures do not result in a smooth and reliably functioning firearm, don't use the gun. The pistol can be returned directly to our Prescott Customer Service Department for repair. See the Service and Parts Policy section of this manual for packing and shipping information.

Another precaution: when using any firearm chambered for rimfire cartridges, form the habit of examining fired cartridge cases. If they have bulged heads or frequently show splits on any part of the case, the rifle or pistol should be returned to the factory for inspection.

DISASSEMBLY

An on-line video demonstrating the disassembly and reassembly of the Mark III pistol can be viewed by going to www.ruger.com/resources/videos and then selecting "Ruger Tech Tips."

Although RUGER® MARK III™ pistols are designed to be disassembled and reassembled without the use of tools, some "tools" may be useful in the process, particularly when the pistols are new. Tools that may be useful include: (1) a soft rubber/plastic mallet; (2) a paper clip; and (3) a wooden dowel (1/8" - 1/4" diameter).

1. **Before beginning disassembly, be certain that the muzzle is pointed in a safe direction and that the safety is "on" (S) if the pistol is cocked.** Remove the magazine and carefully check it to verify that it is completely empty. Draw the bolt fully rearward and **visually inspect the chamber to be certain that there is no cartridge in it** and then release the bolt. Insert the empty magazine into the magazine well until it "clicks" and is fully in place. Disengage the internal lock, if necessary. (See p. 10.) Place the safety in the "off" (F) position. Point the pistol in a safe direction and pull the trigger to be sure the hammer has fallen. The hammer must be uncocked before the pistol can be disassembled. Remove the empty magazine.



WARNING – DISASSEMBLY



Always unload a firearm before cleaning, lubrication, disassembly or assembly.

UNLOAD BEFORE CLEANING

2. Insert a blunt, 'pointed' instrument in the oval recess of the mainspring housing (at the back of the grip) and swing the housing latch open (similar to the operation of a pocket knife). Some users find that a paper clip, looped over the latch, is an ideal 'instrument' for this phase of disassembly.
3. Swing the entire housing outward on its pivot and pull downward, removing the mainspring housing and bolt stop pin. With new pistols it may be necessary to lightly tap (with a plastic hammer and wooden dowel) on the top portion of the bolt stop pin—which protrudes above the receiver—while pulling downward on the mainspring housing. Be careful not to damage the rear sight.
4. Fully insert the empty magazine into the frame. Point the muzzle upward in a safe direction and pull the trigger rearward. The bolt will drop out of the receiver or it can readily be removed. Remove the magazine.
5. With the mainspring housing, bolt stop pin, (as an assembly), bolt and magazine removed, a forward blow (with a plastic hammer) on the rear of the receiver will disengage the barrel-receiver assembly from the grip frame. No attempt should be made to remove rivets or staked pins. Further disassembly should be undertaken only by the factory.

REASSEMBLY

(The procedure is the same for all RUGER® MARK III™ pistols.)

1. **Be certain the pistol is free of cartridges!** The safety must be in the "off" (F) position for reassembly.
2. Keep your finger off the trigger. Place the hammer in the horizontal (cocked) position. (The hammer is visible by looking down on the grip frame and is the rectangular object inside the grip frame and near the rear. See Figure 6.)

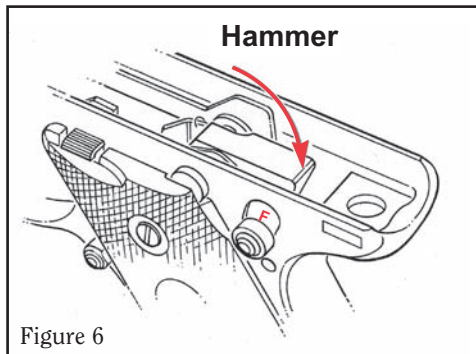


Figure 6

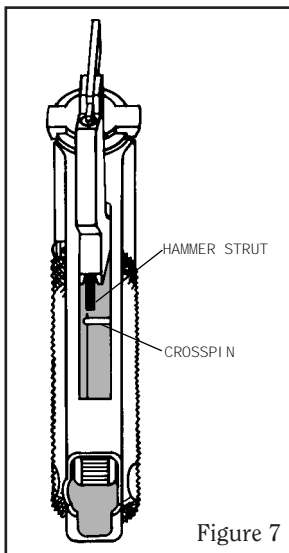


Figure 7

If you cannot place the hammer in the horizontal position, it is most likely because the hammer strut is trapped behind the crosspin (see Figure 7 – not applicable to 22/45™ models). If this occurs, lift the hammer to free the hammer strut from behind the crosspin and then move the hammer into the horizontal position.

If the hammer has been rotated too far forward, it also may be difficult to rotate backwards. Inserting the empty magazine fully into the magazine well will allow the hammer to rotate backwards into a horizontal position. Once the hammer is horizontal, remove the empty magazine.

Before placing the barrel receiver onto the frame, make sure that the loaded chamber indicator pin (Key No. 7 in the exploded view drawing on p. 41) has not fallen out of the receiver.

3. Place the barrel receiver on top of the frame so that the square lug engages the square front recess on the underside of the receiver (see Figure 8A). Push the barrel rearward until it stops, with the rear end of the receiver slightly overhanging the rear end of the grip frame (see Figure 8B). If alignment cannot be achieved by hand pressure, place the pistol (muzzle down) on a padded bench and strike the rear of the grip frame immediately below the receiver with a plastic or wooden mallet. Be careful not to damage the grip frame.

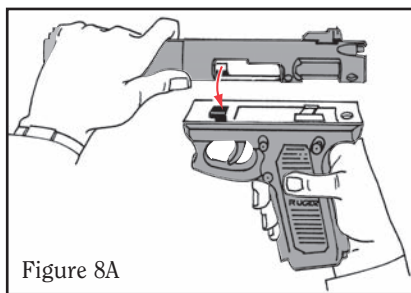


Figure 8A

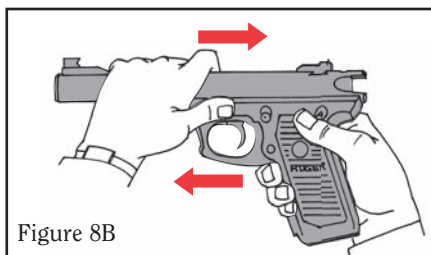


Figure 8B

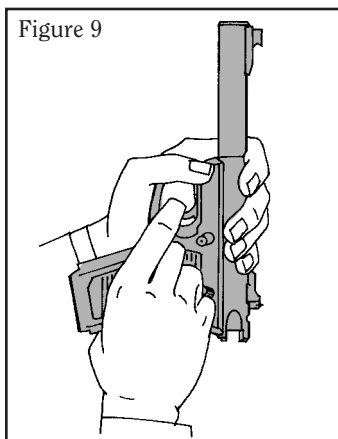
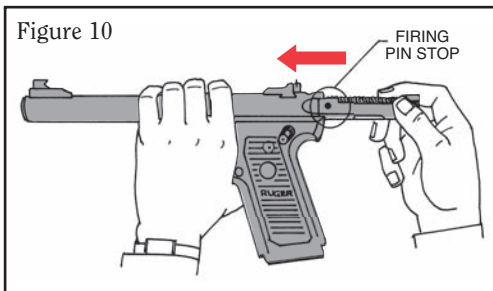


Figure 9

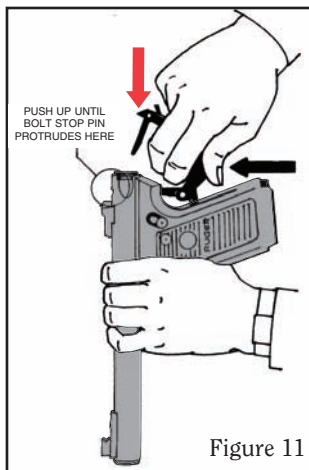
4. Fully insert the empty magazine back into the magazine well. Point the muzzle up in a safe direction and pull the trigger. Gravity should cause the hammer to return to the cocked position if it became dislodged in step 3 (see Figure 9). If not, reach into the rear of the receiver and push the hammer back down flat (into the horizontal position). When the hammer is in this position, remove the empty magazine.

5. Be sure the bolt stop is in the down position. If it is not, you will not be able to insert the bolt into the receiver. NOTE: Before sliding the bolt into the receiver, BE CERTAIN that the firing pin stop (Key No. 18 on pg. 41, a small pin) is in the bolt. (See Figure 10.)



Without this pin, the first time the trigger is pulled on an assembled pistol, the firing pin will fly forward so far as to irreparably dent the rear end of the chamber of the barrel, making the pistol useless. Now, slide the bolt (with the recoil spring upward) fully forward into the receiver. (See Figure 10.)

6. Insert the empty magazine into the magazine well, point the muzzle toward the ground in a safe direction and pull the trigger. The hammer should fall to its full forward position. If it does not, retract the bolt partially and manipulate the hammer through the slot in the rear of the frame until the hammer is in its full forward position.



Point the muzzle toward the ground. With the pistol in this position, hold the mainspring housing bolt stop pin assembly and press the bolt stop pin through the holes in the receiver and bolt until the tip of the pin protrudes beyond the top of the receiver. (See Figure 11.) You may need to tap the mainspring housing into position with a rubber or wooden mallet. The pin must be fully in place to close the latch in Step 8. Do not yet move the mainspring housing into the frame.

7. (For 22/45™ models, skip to 7A.) Now invert the pistol so that the muzzle is pointed upward. Make sure you can see the hammer strut when you lift the housing up. The hammer strut should go into the oval-shaped cut inside the mainspring housing. (See Figure 12.) Hold the trigger to the rear.

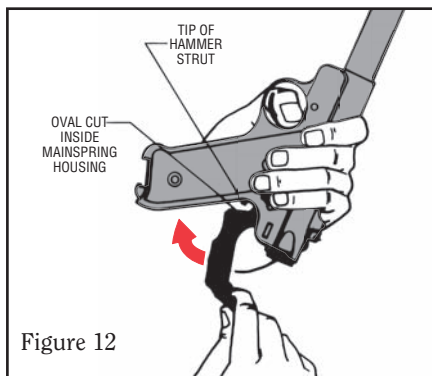
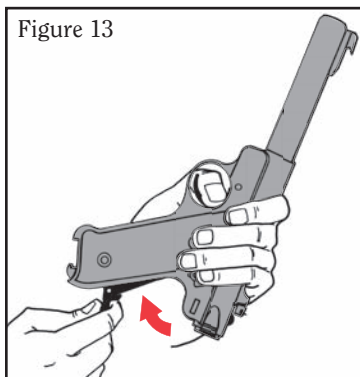


Figure 12

While holding the pistol in this position and depressing the trigger, move the mainspring housing into its proper place in the frame. (See Figure 13.)

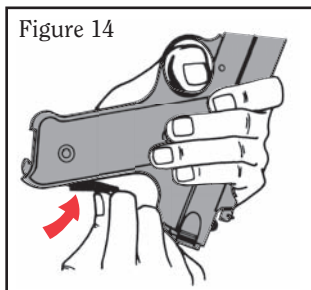
7A. For 22/45™ models *ONLY*: Now invert the pistol so that the muzzle is pointed upward. Make sure you can see the hammer strut when you lift the housing up. The hammer strut should go into the oval-shaped cutout inside the mainspring housing (see Figure 12). While holding the pistol in this position and depressing the trigger, close the mainspring housing as far as it will go without excessive pressure. Holding the mainspring housing in this position, release the trigger and remove the magazine. Once the magazine is removed, the mainspring housing will close the rest of the way.



8. The housing latch can now be snapped shut, completing assembly. (See Figure 14.) Spring pressure should be felt just before the housing is fully shut if the internal parts are correctly aligned.

9. To determine if reassembly was performed correctly, pull the bolt backward and verify that it opens fully. If not, open the latch and repeat steps 6 - 8, above.

10. Replace empty magazine, **point pistol in a safe direction** and pull the trigger to uncock the gun. **Guns should not be stored loaded or cocked.**



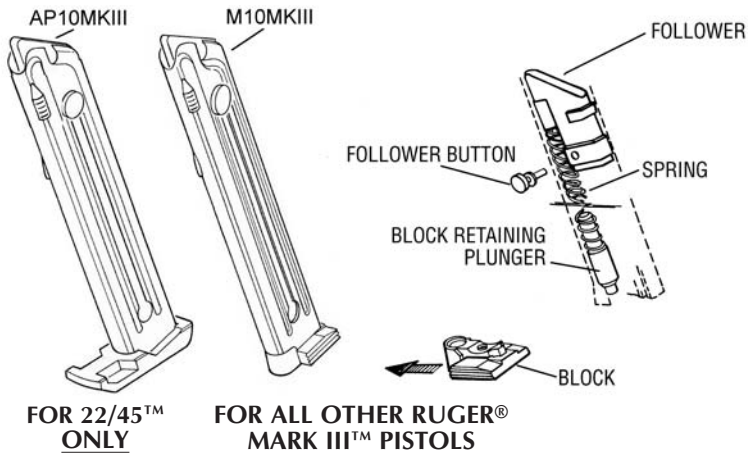
**IF YOU HAVE DIFFICULTY REASSEMBLING THE PISTOL,
HERE ARE SOME HELPFUL TIPS!**

If the mainspring housing pulls out of the gun when swung in, the barrel/receiver assembly is not fully rearward on the frame. Repeat step 3, above.

Remember that it is essential that the hammer must be in its vertical, uncocked position as the mainspring housing is swung shut. If the housing is excessively difficult to close, the hammer is probably cocked. Repeat steps 6-9, above.

The foregoing may give the impression that reassembly is difficult, but it is quickly and easily done once properly learned.

MAGAZINE NOMENCLATURE



MAGAZINE DISASSEMBLY

ALWAYS WEAR SAFETY GLASSES WHEN DISASSEMBLING OR REASSEMBLING A MAGAZINE!

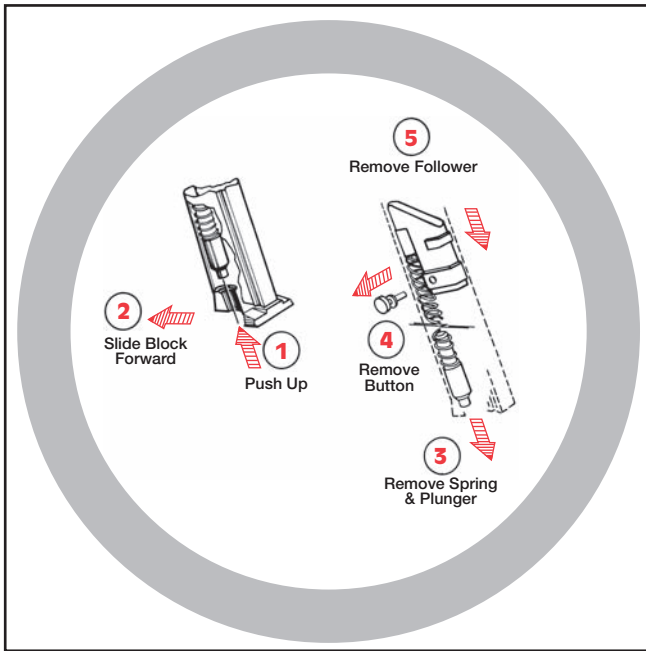
TO DISASSEMBLE MAGAZINE: Withdraw magazine from pistol and remove all cartridges (**check chamber to be certain no cartridge remains in it**). Hold magazine upside down in left hand so that the hole in the Magazine Block is accessible.

1. With right hand, insert drift punch in hole and depress Magazine Block Retaining Plunger approximately 1/4".
2. Slide Magazine Block forward slowly **BEING VERY CAREFUL TO KEEP PLUNGER AND SPRING UNDER CONTROL**. If not contained, these parts will fly out with considerable force. Therefore keep bottom end of magazine pointed away from persons and objects.
3. With the Magazine Block fully removed, the Plunger and Spring should be slowly withdrawn.
4. Now, holding magazine flat in left hand, align the Magazine Follower Button with circular opening near the lower end of magazine body and lift out the Magazine Follower Button.
5. The Magazine Follower can then be removed.

Reassemble in reverse order, being careful to contain the Spring and Plunger as the Magazine Bottom is slid and locked into place. After reassembly has been completed, test Magazine Follower to ensure it has free movement.

Always 'ride' the Magazine Follower Button up and down with your thumb. Do not lower Follower Button and then permit it to snap up.

MAGAZINE DISASSEMBLY



DAMAGED, NON-STANDARD OR IMPROPERLY ASSEMBLED MAGAZINES SHOULD NOT BE USED. THEY CAN CAUSE THE PISTOL TO MALFUNCTION.

CARE AND CLEANING

MAKE SURE GUN IS UNLOADED!

Before cleaning, be certain the pistol and its magazine are unloaded. (See “To Unload,” p. 18.)



At regular intervals, or whenever the pistol has been exposed to sand, dust, extreme humidity, condensation, immersion in water or other adverse conditions, disassemble, clean, and oil it. Proper periodic maintenance is essential to the reliable functioning of any firearm.

An on-line video demonstrating the proper cleaning procedure of the Mark III® pistol can be viewed by going to www.ruger.com/resources/videos and then selecting “Ruger Tech Tips.”

To clean the pistol, proceed as follows;

1. Disassemble (field-strip) the pistol to the extent described on pages 22 - 23.

2. Using a cleaning rod, run a properly sized, solvent-wetted patch through the bore several times. Then attach a solvent-wetted bristle brush to a cleaning rod and run it back and forth the full length of the bore as many times as necessary to remove grease and dirt from the bore and chamber. Clean bore with dry patches and examine. Bore fouling can contribute to reduced accuracy, and grease accumulation in the chamber can interfere with proper feeding of cartridges from the magazine.
3. Using powder solvent on a clean patch or bristle brush, remove powder residue from all components of the pistol. After cleaning, run a dry patch through the bore, then follow with a patch that is very lightly oiled. Wipe all surfaces clean with a cloth, then wipe all surfaces with a patch or cloth that has been very lightly oiled.
4. **NOTE:** Only a light application of oil is needed to provide adequate lubrication of moving parts and to prevent rust. Excess accumulations of oil tend to attract particles of dust and dirt and may congeal in cold weather which can interfere with the safe and reliable function of the pistol.
5. If magazine becomes dirty, it should be disassembled and thoroughly cleaned (see “Magazine Disassembly” section, p. 27).
6. Before firing remove all oil and grease from the bore.

 WARNING – LUBRICATION	
	<p>Firing a pistol with oil, grease, or any other material even partially obstructing the bore may result in damage to the pistol and serious injury to the shooter and those nearby.</p> <p>Do not spray or apply lubricants directly on ammunition. If the powder of a cartridge is affected by the lubricant, it may not be ignited, but the primer firing may push the bullet into the bore where it may become lodged. Firing a subsequent bullet into the obstructed bore may damage the pistol and cause serious injury or death to the shooter and those nearby. Use lubricants properly. You are responsible for the proper care and maintenance of your firearms.</p> <p>IMPROPER LUBRICATION DESTROYS GUNS</p>

STORAGE

GUNS SHOULD NOT BE STORED LOADED!

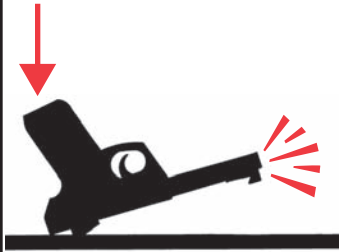
USE THE LOCKING DEVICE SUPPLIED WITH THE PISTOL TO RENDER IT INOPERATIVE FOR SAFE STORAGE.

(SEE PAGE 8)

Do not keep the pistol stored in a leather holster or case. Leather attracts moisture, even though the holster or case may appear to be perfectly dry.



WARNING – STORAGE



- Never place or store any firearm in such a manner that it may be dislodged. Firearms should always be stored securely and unloaded, away from children and careless adults.
- Use the locking device supplied with the pistol for storage. The use of a locking device or safety lock is only one aspect of responsible firearms storage.
- For increased safety, firearms should be stored unloaded in a location that is both separate from their ammunition and inaccessible to children and any other unauthorized person.

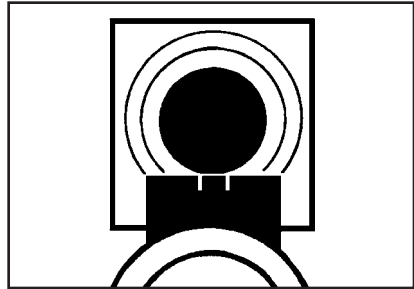
STORE SECURELY & UNLOADED

SIGHT ADJUSTMENT

The Standard RUGER® MARK III™ pistol is equipped with a rear sight which is adjustable for windage only. The rear sight can be drifted laterally in its dovetail on the top of the slide by tapping it with a wooden or plastic headed hammer or similar implement. The front sight is fixed. Target models are equipped with adjustable sights. Turning the top (elevation) sight adjustment screw clockwise lowers the impact of the shot. Turning the horizontal (windage) sight adjustment screw clockwise moves the impact of the shot to the left.

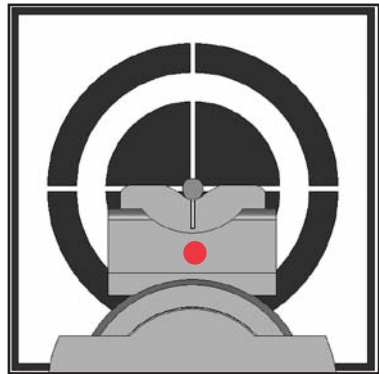
SUGGESTED SIGHT PICTURE

Top of front sight even with top of rear sight blade. Front sight centered in notch of rear sight blade. Target bull's-eye centered on top of front sight.



SUGGESTED SIGHT PICTURE FOR V-NOTCH REAR SIGHTS (Ruger® Mark III® Hunter Models)

A v-notch express sight is designed to be used as a point of aim/point of impact sighting system. The recommended sight picture for this type of system is to place the round front sight bead, regardless of the size of the bead, at the bottom of the v-notch in the rear sight. The front sight bead should be pointed directly at the intended target.



CHANGING THE LITEPIPE ON YOUR HiVIZ® SIGHT

(RUGER MARK III™ HUNTER MODELS ONLY)

1. Point the muzzle in a safe direction.
2. Make sure that the magazine and the pistol are completely unloaded.
3. Place the thin tab on the HiViz® key between the LitePipe and the sight base. This will compress the locking spring, allowing you to carefully pull the LitePipe out of the supporting rings. Remove the key.
4. Slide the new LitePipe into the sight base. You will have to lightly press down on the rounded end as it enters the far supported ring to compress the locking spring.

INSTRUCTIONS FOR ATTACHING THE SCOPE BASE (TARGET MODEL ONLY)

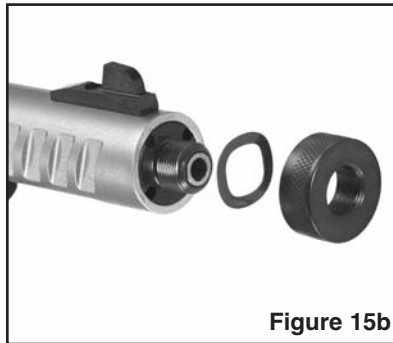
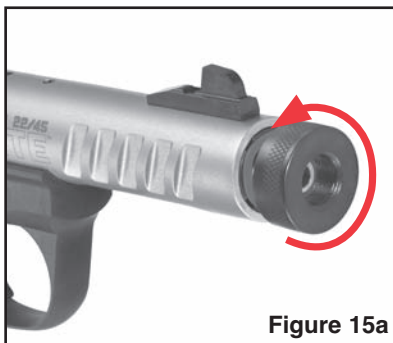
1. Remove the filler screws from the top of the receiver.
2. Degrease the screw holes in the receiver.
3. Degrease the scope base screws.
4. After the degreased areas are dry, place a drop of blue LOCTITE® adhesive/sealant or equivalent to the scope base screws.
5. Set the scope base on the receiver with the side notch aligned with the ejection port of the receiver.
6. Install the scope base screws and tighten.
7. Set the assembled pistol aside overnight to allow the adhesive to set up.

RUGER® 22/45™ THREADED BARREL MODELS MUZZLE CAP REMOVAL INSTRUCTIONS

Some RUGER® 22/45™ pistols come equipped with a threaded barrel and is protected by a removable muzzle cap. The cap protects the 1/2-28 threads at the end of the barrel which is designed to accommodate a 22 Long Rifle sound suppressor.

To remove the muzzle cap, point the pistol in a safe direction, remove the magazine, and keep your finger off the trigger. Retract the bolt to the rear, and lock it to the rear by pushing up on the bolt lock. Verify that the chamber is empty. Depress the bolt lock to close the bolt. Keep your fingers out of the receiver!



Hold the upper receiver/barrel section of the pistol firmly in your left hand, and turn the muzzle cap counter-clockwise, until removed from the threaded portion of the barrel. (See Figure 15a.) Gripping the muzzle cap by the knurled section will aid in twisting the cap free. Remove the cap and the wave washer under the cap (See Figure 15b.) and store them in a safe place for reinstallation when the suppressor is removed.



Install the suppressor per the manufacturer's instructions. (See Figure 16.) When a suppressor is not being used, reinstall the wave washer and muzzle cap to ensure the threads at the end of the barrel are protected.



NOTE: The warning below applies to the RUGER® 22/45 LITE™ pistols *only*.

 WARNING – BARREL NUT	
 <p>DO NOT Remove Barrel Nut</p>	<p>When removing the muzzle cap from the Ruger® 22/45 LITE™, a barrel nut is behind the cap and washer. This nut is used to lock the barrel in place. This nut should never be loosened, removed or tampered with. This nut is epoxied and torqued in place at the factory. This nut is meant to remain in place and should not be removed under any circumstance. Failure to follow this warning will cause permanent damage to your firearm and will not be warranted or repaired by Customer Service.</p>
DO NOT REMOVE BARREL NUT	

SERVICE AND PARTS POLICY

If you have any questions with regard to the performance of your RUGER® MARK III™ pistol, please call (928-541-8892) or write our Prescott, Arizona Customer Service Department, fully describing all circumstances and conditions involved. If you should return your pistol to the factory for repair, or order parts for it, please comply with the following suggestions for prompt service:



WARNING—BEFORE SHIPPING ANY FIREARM, BE ABSOLUTELY CERTAIN THAT THE FIREARM AND ITS MAGAZINE ARE UNLOADED. DO NOT SHIP CARTRIDGES WITH A FIREARM.

SHIPPING FIREARMS FOR REPAIR

RUGER® MARK III™ pistols returned to the factory for service or repair should be sent to: Ruger, Customer Service Department, 200 Ruger Road, Prescott, AZ 86301-6181. **NOTE: You must obtain a Repair Authorization Number before returning your firearm.** An authorization number can be obtained by contacting Customer Service online at www.ruger.com or calling the Customer Service Dept. at 928-541-8892. Guns should be sent prepaid. We will not accept collect shipments.

The Federal Gun Control Act, as well as the laws of most states and localities, do not prohibit an individual (who is not otherwise barred from purchasing or possessing a firearm) from shipping a firearm directly to the manufacturer for repair. However, before you ship your firearm to us, be certain that your state or locality does not have a law or regulation which will prohibit you from receiving it from us after it has been repaired. If such receiving is prohibited, then please have a Federally Licensed firearms dealer ship the gun to us. If it is sent to us by a dealer, it will be returned to that dealer after being repaired. If a handgun (pistol or revolver) is shipped by an individual who does not hold a Federal Firearms License, it must be shipped for overnight delivery via U.P.S., Federal Express, or other similar private overnight service. NOTE: Handguns may not be shipped via U.S. Mail. Persons who do not hold a Federal Firearms License are prohibited by Federal law from shipping a handgun by Mail. Handguns mailed in violation of the law are impounded by the Post Office.

Please do not include holster, custom grip panels or custom accessories with a firearm being shipped to the factory for service. **DO NOT SEND GUN BOXES OR LITERATURE THAT YOU CONSIDER TO BE COLLECTOR'S ITEMS - THESE ARE INVARIABLY DAMAGED OR DESTROYED IN SHIPMENT.** Always insure your shipment.

Enclose a letter which includes your name, address, telephone number, serial number and model of the firearm and your repair authorization number. Describe in detail the trouble you have experienced with your firearm, or the work you wish to have done. Merely stating that the firearm “needs repair” is inadequate information. State precisely what is wrong. Please enclose copies of any previous correspondence.

All work performed is subject to a minimum labor charge and charges for shipping and handling. Most models can be reblued, but custom gunsmithing service or nonstandard alterations are NOT AVAILABLE from Ruger Customer Service Departments. Please contact the Customer Service Department for pricing information.



WARNING – PARTS PURCHASERS



- It is the purchaser's responsibility to be absolutely certain that any parts ordered from the factory are correctly fitted and installed.
- Firearms are complicated mechanisms and **IMPROPER FITTING OF PARTS MAY RESULT IN A DANGEROUS MALFUNCTION, DAMAGE TO THE FIREARM, AND SERIOUS INJURY TO THE SHOOTER AND OTHER PERSONS.**
- The purchaser and installer of parts must accept full responsibility for the correct adjustment and functioning of the firearm after such installation.

PARTS MUST FIT CORRECTLY

ORDERING PARTS

Please contact the Prescott, Arizona Customer Service Department for parts availability and current prices. All parts ordered for the RUGER® MARK III™ should be sent to: Ruger, Parts Department, 200 Ruger Road, Prescott, AZ 86301-6181, telephone: (928) 541-8892.

We cannot comply with open account or C.O.D. requests. Payment in full via credit card (Visa, MasterCard or Discover only), money order or certified bank check (no personal checks or cash, please) is required before any service will be performed. Please provide your credit card number, your name as it appears on the credit card, the expiration date and 3-digit security code. All parts orders are subject to a minimum charge and charges for shipping and handling. Order parts by ***Part Name and specify the model and the entire serial number*** of the firearm for which the parts are being ordered. There is a minimum labor charge plus a shipping and handling charge if the parts are factory fitted. All factory fitted parts are fit on an exchange basis only. We will not return the replaced parts. Please contact the Customer Service Department for pricing information.

*Parts designated by an asterisk must be factory fitted. These parts are fitted on an exchange basis only. We will not return the replaced parts. We will not return any part that is broken, malfunctioning, badly worn or has been modified. See "Warning – Parts Purchasers" above.

Because it is a serial-numbered component, the RUGER® MARK III™ pistol barrel/receiver assembly is defined as a "firearm" by Federal Law and is not offered for sale separately.



WARNING: A gun containing broken, malfunctioning or badly worn parts should not be fired.

RUGER® MARK III™

PARTS LIST

Design, prices and specifications subject to change without notice.
SPECIFY MODEL, CALIBER, AND SERIAL NO. WHEN ORDERING
 (See Exploded Views on pages 38, 39 & 42)

Key No.	Part Name
* 1	Barrel/Receiver Assembly
2	Front Sight
3	Front Sight Screw
4	Barrel/Receiver Filler Screws, 3 Req'd
5	Loaded Chamber Indicator
6	Loaded Chamber Indicator Spring
7	Loaded Chamber Indicator Pin
	Rear Sight Assembly, Complete - (Will Not Work on Standard Models)
	Includes Key Nos. 8 - 16
8	Rear Sight Body
9	Rear Sight Pivot Pin
10	Rear Sight Elevation Spring
11	Rear Sight Base
12	Rear Sight Elevation Screw
13	Rear Sight Blade
14	Rear Sight Windage Spring
15	Rear Sight Windage Adjustment Screw
16	Rear Sight Base Set Screw
	Bolt Assembly, Complete - Includes Key Nos. 17 - 25
* 17	Bolt, Only
18	Firing Pin Stop
19	Rebound Spring
20	Rebound Spring Support
21	Firing Pin
22	Recoil Spring Assembly
23	Extractor Spring
24	Extractor Plunger
25	Extractor
* 26	Grip Frame with Trigger Guard
* 27	Trigger
28	Trigger Spring
29	Trigger Spring Plunger
30	Trigger Pivot Retainer
31	Bolt Stop Assembly (See Notes A & B on Pages 38 & 39)
32	Bolt Stop Plunger (See Notes A & B on Pages 38 & 39)

* PARTS SO MARKED MUST BE FACTORY FIT

Key No.	Part Name
33	Bolt Stop Plunger Spg. (See Notes A & B on Pages 38 & 39)
34	Trigger Pivot Pin
* 35	Safety Assembly, Complete
* 36	Hammer Assembly, Complete
37	Magazine Disconnecter Spring
38	Magazine Disconnecter
* 39	Disconnecter Assembly
40	Hammer Bushing
41	Sear Spring
43	Bolt Stop Thumbpiece
44	Hammer Pivot Pin (See WARNING , below)
45	Magazine Latch
46	Magazine Latch Spring
47	Magazine Latch Spring Plunger
48	Magazine Latch Screw
49	Sear Pivot Pin
50	Sear Spring Stop Pin
51	Magazine Latch Pin, 2 Req'd
* 52	Mainspring Housing Assembly
53	Lock Pin
54	Spring Back-up Pin
55	LockDetent Plunger
56	Lock Detent Plunger Spring
57	Hammer Spring Plunger
58	Hammer Spring
59	Mainspring Housing Detent Ball
60	Mainspring Housing Latch
61	Mainspring Housing Latch Pin
62	Grip Frame Filler
63	Grip Panels Sold In Pairs, Only
64	Grip Panel Screw, 2 Req'd
65	Magazine, Complete (10-round)
66	Internal Lock Key
67	Scope Mount Base, Weaver-Style, with Screws (See NOTE C , page 42)
68	Scope Base Screws, 3 Req'd (also sold w/ Scope Base) (See NOTE C , page 42)

Also Available, but Not Illustrated

Front Sight

Case with Gun Lock

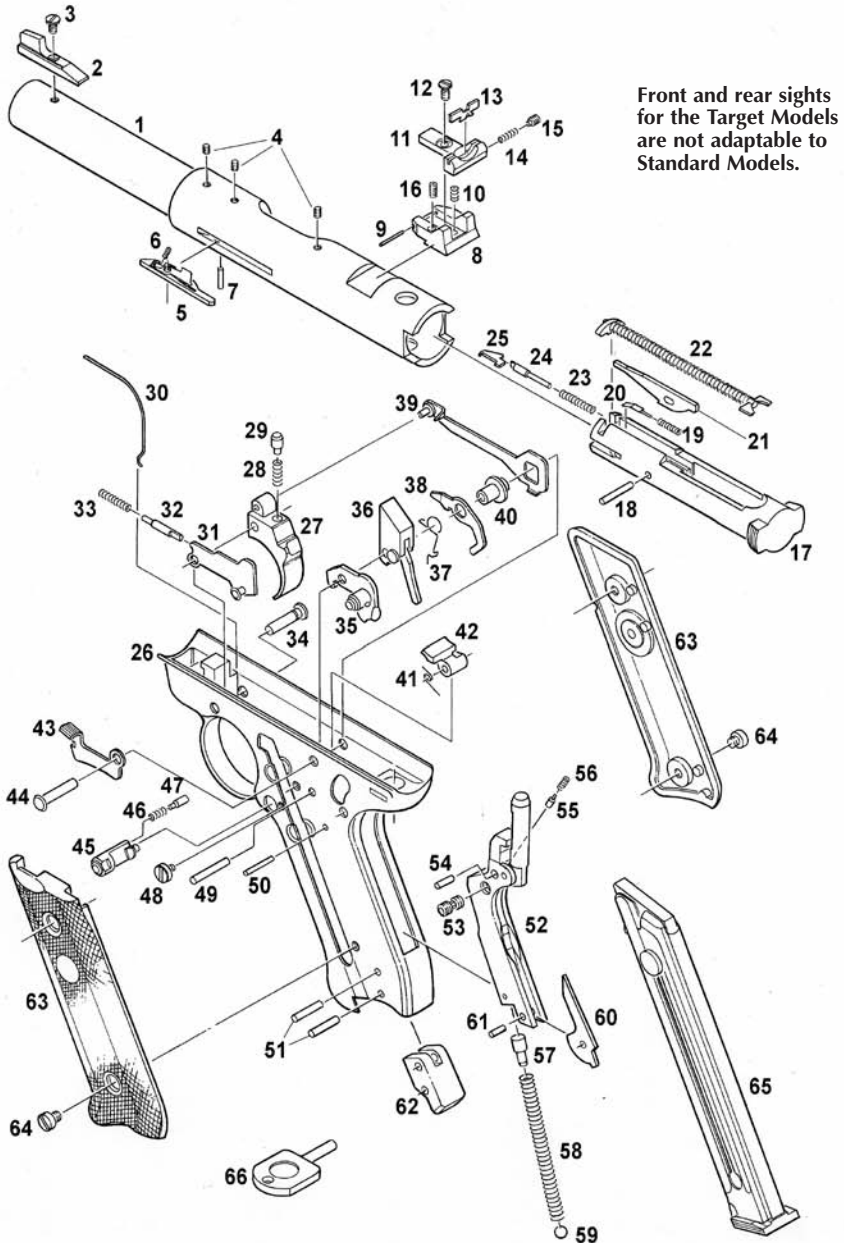
* **PARTS SO MARKED MUST BE FACTORY FIT**

WARNING regarding non-Ruger Grip Panels. Note: The Hammer Pin (Key No. 44) is prevented from drifting out of the left side of the Grip Frame by contact with the inner surface of the left Grip Panel. Therefore, be certain that the clearance cut in the left Grip Panel is the correct depth to maintain the Hammer Pivot fully seated in the Grip Frame.

RUGER® MARK III™

EXPLODED VIEW

Note A — The Bolt Stop components in this group are for holding open the bolt and are not functionally related to the Bolt Stop Pin and Bolt Stop Pin Pivot. These two later components are attached to the Mainspring Housing Assembly (Key No. 52). See parts drawing below for relationship of parts.

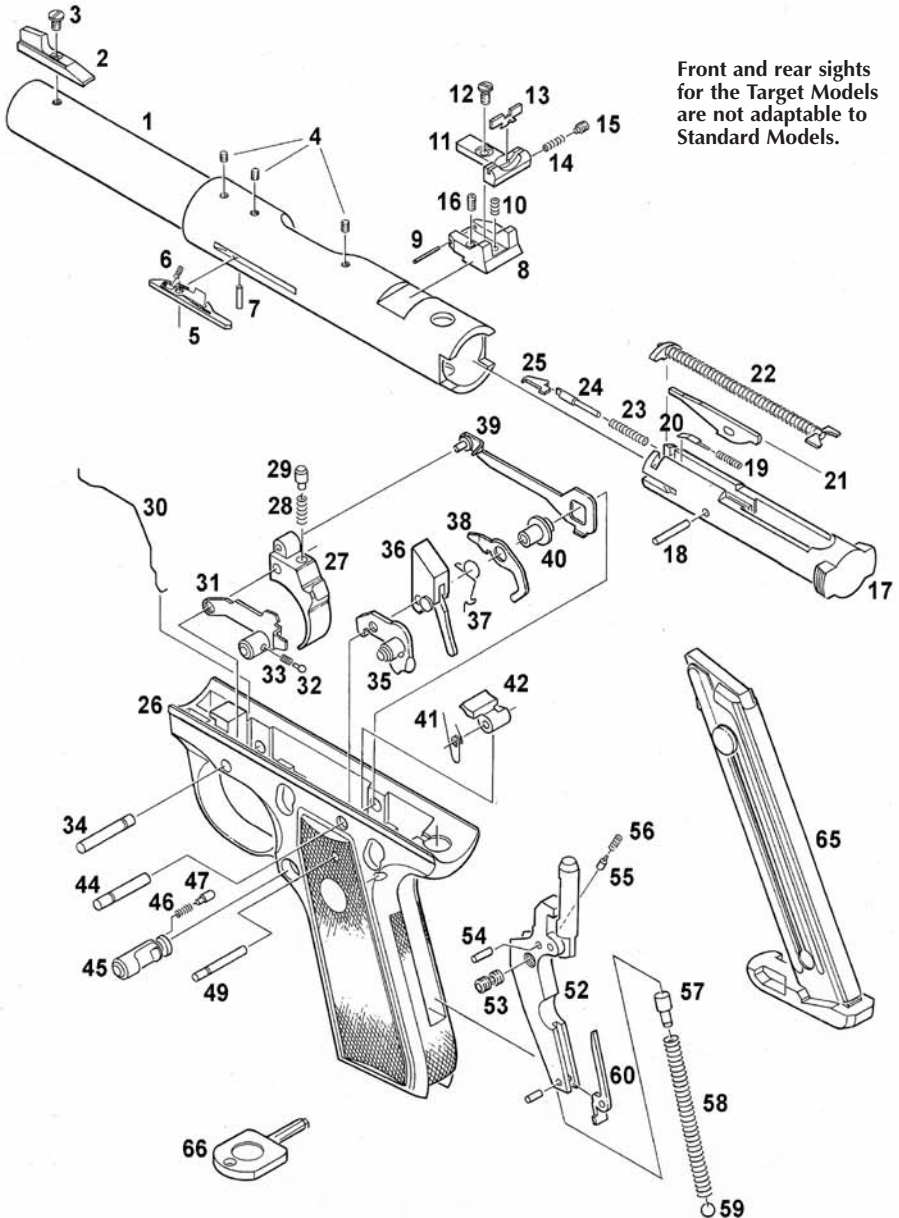


RUGER® 22/45™

EXPLODED VIEW

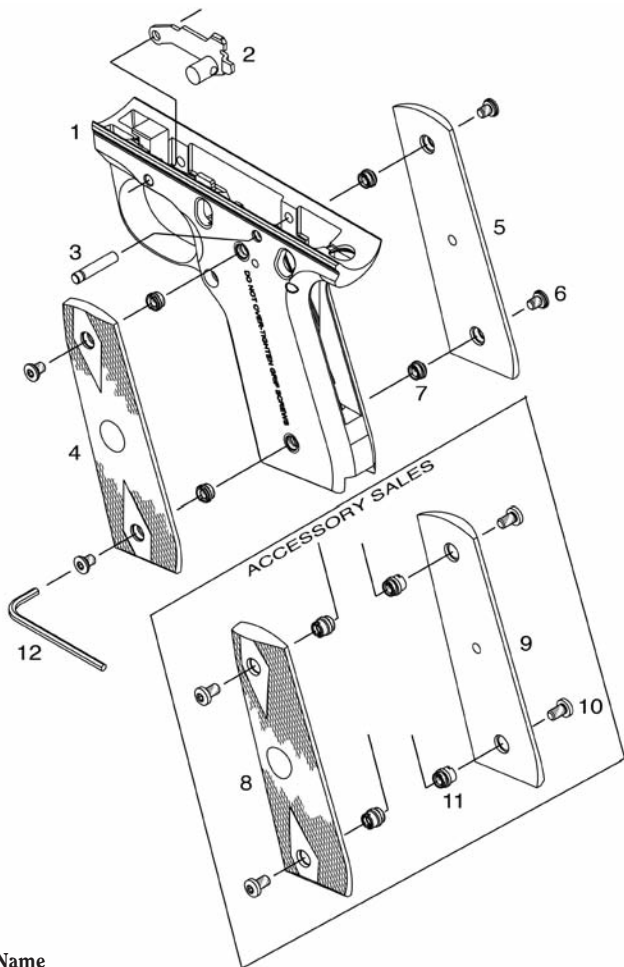
Note B — The Bolt Stop components in this group are for holding open the bolt and are not functionally related to the Bolt Stop Pin and Bolt Stop Pin Pivot. These two later components are attached to the Mainspring Housing Assembly (Key No. 52). See parts drawing below for relationship of parts.

Front and rear sights for the Target Models are not adaptable to Standard Models.



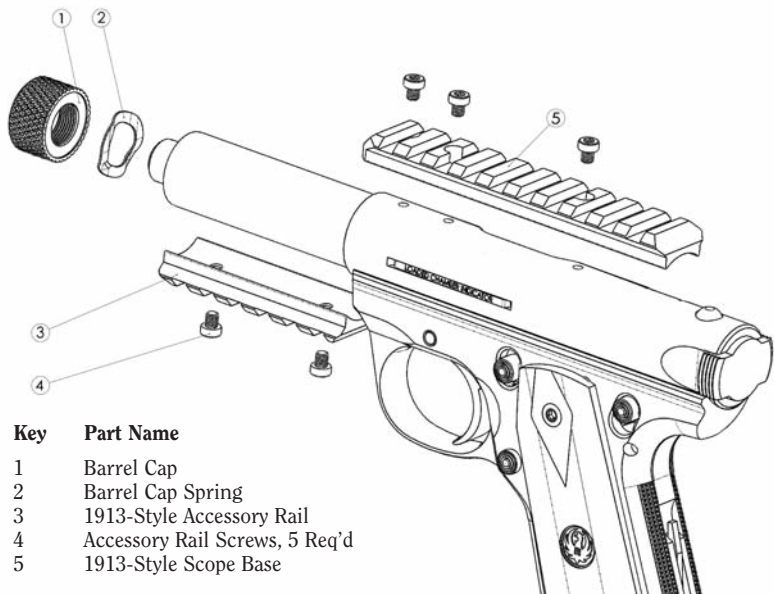
COMPONENT PARTS FOR 22/45™ WITH REPLACEABLE GRIP PANELS

PLEASE NOTE: Your new 22/45™ pistol is equipped with replaceable grip panels. To avoid cracking the panels, it is important you do not overtighten the grip panel screws (Key Nos. 6 or 10).

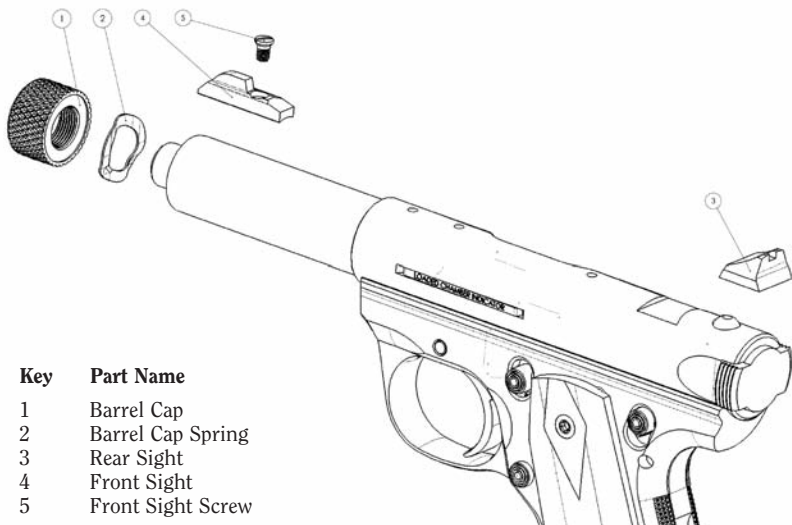


Key	Part Name
1	Frame
2	Bolt Open Stop Assembly
3	Hammer Pin
4	Auto Grip Panel – Slim, Left
5	Auto Grip Panel – Slim, Right
6	Grip Panel Screw – Slim, 4 Req'd
7	Grip Screw Bushing – Slim, 4 Req'd
8	Auto Grip Panel – Standard, Left
9	Auto Grip Panel – Standard, Right
10	Grip Panel Screw – Standard, 4 Req'd
11	Grip Screw Bushing – Standard, 4 Req'd
12	Hex Wrench

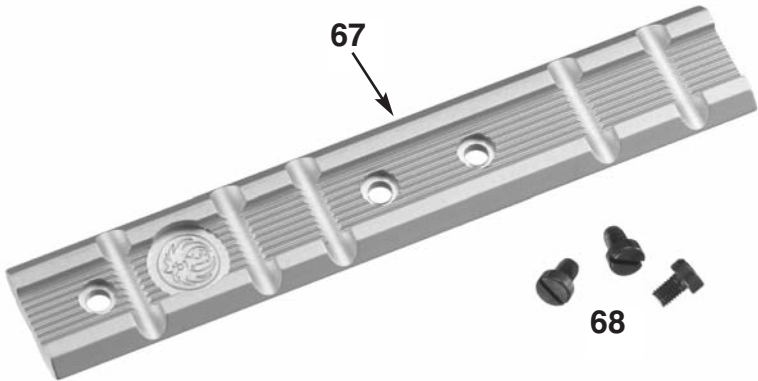
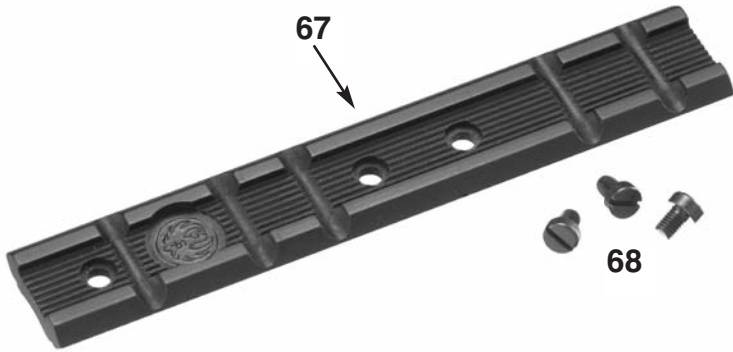
MODEL P45GMK3PRRP SUPPLEMENTAL PARTS LIST & EXPLODED VIEW



MODEL P45GMK3RP SUPPLEMENTAL PARTS LIST & EXPLODED VIEW



RUGER® WEAVER-STYLE SCOPE MOUNT BASE



NOTE C — Scope mount bases and rings will fit all RUGER® MARK III™ and 22/45™ pistols. The MARK III™ Target, Hunter, and Competition models are drilled and tapped at the factory. The MARK III™ Standard models can be drilled and tapped by our Arizona Customer Service Department. Please contact them at 928-541-8892 for price and shipping information.

THE BASIC RULES OF SAFE FIREARMS HANDLING

We believe that Americans have a right to purchase and use firearms for lawful purposes. The private ownership of firearms in America is traditional, but that ownership imposes the responsibility on the gun owner to use his firearms in a way which will ensure his own safety and that of others. When firearms are used in a safe and responsible manner, they are a great source of pleasure and satisfaction, and represent a fundamental part of our personal liberty.

Firearms do not cause accidents! Firearms accidents are almost always found to have been the result of carelessness or ignorance on the part of the shooter of the basic rules of safe gun handling.

The following rules must be observed by gun users at all times. Safe gun handling is not just desirable, it is absolutely essential to your safety, the safety of others, and the continuation of gun ownership and sport shooting as we know it today.

1. LEARN THE MECHANICAL AND HANDLING CHARACTERISTICS OF THE FIREARM YOU ARE USING.



Not all firearms are the same. The method of carrying and handling firearms varies in accordance with the mechanical provisions for avoiding accidental discharge and the various proper procedures for loading and unloading. No person should handle any firearm without first having thoroughly familiarized himself with the particular type of firearm he is using, and with safe gun handling in general.

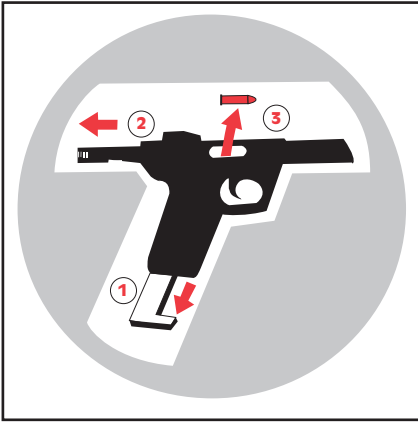
2. ALWAYS KEEP THE MUZZLE POINTED IN A SAFE DIRECTION.



Be sure of the bullet stop behind your target, even when dry-firing. Never let the muzzle of a firearm point at any part of your body or at another person. This is particularly important when loading or unloading a firearm. In the event of an accidental discharge, no injury can occur as long as the muzzle is pointing in a safe direction. A safe direction means a direction that will not permit a discharged bullet to strike a person, or to strike an object from which the bullet may ricochet.

A safe direction must take into account the fact that a bullet may penetrate a wall, ceiling, floor, window, etc., and strike a person or damage property. Make it a habit to know exactly where the muzzle of your gun is pointing whenever you handle it, and be sure that you are always in control of the direction in which the muzzle is pointing, even if you fall or stumble. Keep your finger off the trigger until you are ready to shoot!

3. FIREARMS SHOULD BE UNLOADED WHEN NOT IN USE.



Firearms should be loaded only when you are in the field or on the target range or shooting area, ready to shoot. Firearms and ammunition should be securely locked in safes, racks or cabinets, or by using the locking device supplied with the firearm, when not in use. Ammunition should be safely stored separate from firearms. Store your firearms out of sight of visitors and children. It is the gun owner's responsibility to be certain that

children and persons unfamiliar with firearms cannot gain access to firearms, ammunition, or components.

4. BE SURE THE BARREL IS CLEAR OF OBSTRUCTIONS BEFORE SHOOTING.

Even a bit of mud, snow or excess lubricating oil or grease in the bore may cause the barrel to bulge, or even burst on firing, and can cause serious injury to the shooter and bystanders. Be sure that you are using ammunition of the proper caliber and loading for the gun you are using. If the report or recoil on firing seems weak, or doesn't seem quite right, CEASE FIRING IMMEDIATELY, unload your firearm, and check to be sure that no obstruction has become lodged in the barrel.





5. BE SURE OF YOUR TARGET BEFORE YOU SHOOT.

Don't shoot unless you know exactly where your bullet is going to strike. Be sure of the bullet stop behind your target, even when dry-firing with an unloaded gun. If you are in the field hunting, do not fire at a movement or noise. Take the time to be absolutely certain of your target before you pull the trigger.

6. WEAR SHOOTING GLASSES AND HEARING PROTECTION WHEN YOU SHOOT.

All shooters should wear protective shooting glasses and adequate hearing protection when shooting. Exposure to shooting noise can damage hearing, and wearing adequate eye protection when shooting is essential.



7. NEVER CLIMB A TREE OR FENCE WITH A LOADED FIREARM.

Put the firearm down carefully before climbing a fence, and unload it before climbing or descending a tree or jumping over a ditch or other obstruction. Never pull or push a loaded firearm toward yourself or another person. When in doubt, or whenever you are about to do anything awkward, unload your gun!

8. DON'T SHOOT AT A HARD SURFACE OR AT WATER.

Bullets can glance off many surfaces like rocks or the surface of water and travel in unpredictable directions with considerable velocity.



9. NEVER TRANSPORT A LOADED FIREARM.

Firearms should always be unloaded before being placed in a vehicle. A suitable carrying case or scabbard should be used to carry an unloaded firearm to and from the shooting area.

10. AVOID ALCOHOLIC BEVERAGES WHEN SHOOTING.

Don't drink until the day's shooting is over. Handling firearms while under the influence of alcohol in any form, or medications that could affect your judgment or coordination, constitutes a criminal disregard for the safety of others.



A BRIEF ACCOUNT OF AN EXTRAORDINARY ACHIEVEMENT: RUGER® FIREARMS

Sturm, Ruger & Company, Inc., had its beginning in a small machine shop occupying a rented frame building in Southport, Connecticut. In January, 1949, with an initial investment of only \$50,000 and an idea, William B. Ruger and Alexander M. Sturm started production of a .22 caliber autoloading pistol—a design which was so successful that it became the cornerstone upon which one of the most comprehensive lines of sporting firearms ever made in America was established. After Alex Sturm's death in 1951, William B. Ruger continued to direct the Company until his death in 2002. William B. Ruger, Jr. continued to provide guidance, which helped make this Company a sound and successful enterprise, until his retirement in 2006. The Company has continued to prosper, under new management and guidance from our Board, with new products and fresh perspectives.

Ruger, in this relatively short time, has established itself as a leading small arms design organization, developing a unique and broad line of fine quality sporting, military and police firearms to become one of the world's most famous producers of revolvers, pistols, rifles and shotguns. Since 1949, Ruger craftsmen have built many millions of firearms.

During its five decades of growth and progress under the leadership of William B. Ruger, the Company developed a business philosophy and implemented policies which represent a constructive influence in the life of modern America. From the beginning, Ruger played a positive role in conservation efforts and has supported the interests of shooters through such groups as the National Rifle Association, National Shooting Sports Foundation, and many regional sportsmen's organizations.

The Company has always endeavored to market its firearms for constructive and recreational purposes, to emphasize the traditional and responsible aspects of shooting, to render meaningful public services, and to encourage shooters in constructive, responsible, and safe participation in the shooting sports. Its motto, "Arms Makers For Responsible Citizens®," exemplifies this Company philosophy.

Today, Ruger® is particularly mindful of those elements which have contributed to the creation of its success, and extends heartfelt thanks to its many loyal employees and customers.

The firearms catalog, and instruction manuals for all Ruger® firearms, can be downloaded from our website at:

www.ruger.com

WHY NO WARRANTY CARD HAS BEEN PACKED WITH THIS NEW RUGER® FIREARM

The Magnuson-Moss Act (Public Law 93-637) does not require any seller or manufacturer of a consumer product to give a written warranty. It does provide that if a written warranty is given, it must be designated as "limited" or as "full" and sets minimum standards for a "full" warranty. Sturm, Ruger & Company, Inc. has elected not to provide any written warranty, either "limited" or "full", rather than to attempt to comply with the provisions of the Magnuson-Moss Act and the regulations issued thereunder. There are certain implied warranties under state law with respect to sales of consumer goods. As the extent and interpretation of these implied warranties varies from state to state, you should refer to your state statutes. Sturm, Ruger & Company wishes to assure its customers of its continued interest in providing service to owners of Ruger® firearms.



STURM, RUGER & COMPANY, INC.
200 RUGER ROAD
PRESCOTT, ARIZONA 86301 U.S.A.
WWW.RUGER.COM

ARMS MAKERS FOR RESPONSIBLE CITIZENS®

**A COPY OF THE INSTRUCTION MANUAL FOR ANY RUGER®
FIREARM IS AVAILABLE FROM THE FACTORY FREE ON REQUEST, OR IT MAY BE
DOWNLOADED FROM OUR WEBSITE AT WWW.RUGER.COM.
THESE INSTRUCTION MANUALS CONTAIN IMPORTANT
WARNINGS WHICH MUST BE UNDERSTOOD
BEFORE USING THESE FIREARMS.**

The Following are Sturm, Ruger & Co., Inc. Trademarks: "BX-Trigger," "Bisley," Eagle "SR," "Elite 452," "Gold Label," "It's Mine and It's American," "LC6," "LCR-357," "LCRx," "Mark II," "Mark III," "Match Champion," "Model 96," "P345D," "P345PR," "P85," "P90," "P91," "P93," "P94," "P95," "P97," "Ruger Marksman Adjustable," "Ruger 77/50," "Ruger 10/17," "77/357," "Single-Seven," "SR45," "SR-556C," "SR-556VT," "SR-762," "10/22-FS," "22 Charger," "22/45," and "22/45 RP."

The Following are Registered U.S. Trademarks Belonging to Sturm, Ruger & Co., Inc.: "RUGER," Sturm, Ruger Logo, "AC-556," "AR-556," "Arms Makers For Responsible Citizens," "All-Weather," "Bearcat," "Blackhawk," "BX-15," "BX-25," Eagle "R," "GP100," Hard "R" Logo, "Hawkeye," "LC380," "LC9," "LC9s," "LCP," "LCR," "M77," "Mini Thirty," "Mini-14," "9E," "Old Army," "Power Bedding," "P345," "Redhawk," "Ruger American Rifle," "Ruger American Rimfire," "Ruger Hunting," "Ruger Hunting" Logo, "Ruger Inside & Out" phrase & logo design, "Ruger 77/17," "Ruger 77/22," "Ruger 77/44," "Ruger SP101," "Ruger 10/22 Takedown" phrase & logo design, "Ruger Titanium," "Ruger 22/45 Lite," "Ruger Vaquero," "Rugged, Reliable Firearms," "Security-Six," "Service-Six," "Single-Nine," "Single-Six," "Single-Ten," "Speed-Six," the "SR" Design, "SR9," "SR9c," "SR40," "SR40c," "SR-22," "SR22," "SR-556," "SR-556E," "SR1911," "Super Redhawk Alaskan," "Target Grey," "10/22," and "10/22 Takedown."