

CPX-1 & CPX-2 SERIES Instruction Manual



SCCY
FIREARMS

The American firearms company
founded on the *radical* notion
that the customer comes first.

*The items contained herein are subject to the International Traffic in Arms Regulations (ITAR) or the Export Administration Regulations (EAR). Diversion contrary to U.S. Law is prohibited.



SEELY

IMPORTANT NOTE

Throughout this document, references to a manual safety apply only to the model CPX-1. The CPX-2 is designed without a manual safety.

IMPORTANT SAFETY MESSAGE

DO NOT OPERATE THIS FIREARM UNTIL YOU READ THE ENTIRE INSTRUCTION MANUAL.

INTRODUCTION

This manual is designed to warn you about the dangers and responsibilities associated with handling firearms. Do not attempt to load, unload or handle this firearm until you have read and understand the contents of this manual.

The warnings in this manual must be followed for your safety as well as for the safety of bystanders.

If after reading these instructions, you still do not understand the firearm entirely, please consult with a firearms instructor for further instructions.

DANGER

Never keep the firearm in the loaded condition when not in use.

WARNING

- Always install the child-resistant lock on the firearm when not in use.
- Never store your firearm in the loaded condition.
- Always store ammunition in a separate place from where the firearm is being stored.
- Always store the firearm and key(s) out of reach of children.
- Always keep your finger(s) out of the trigger area until you are ready to shoot.
- Never point the firearm at anything you do not intend to shoot at.
- Always be certain of the target you are shooting at and what is behind it. A bullet can travel several miles before stopping.
- Remember, firearm safety is the responsibility of the person handling the firearm.

Introduction	2	Misfire – Failure to Feed or Eject.....	18
Contents	3	Adjusting the Rear Sight	18
Warning Messages	2-5	Disassembly For Cleaning	19
Legal Warning.....	5	Cleaning.....	22
Federal Law.....	5	Reassembly	23
Operating Instructions	6	Child-Resistant Lock	25
Component Names	7	Installing the Lock.....	25
Basic Functions	8	Storing and Transporting the Model CPX	26
Proper Grip Control	12	Limited Warranty	27
Manual Safety.....	13	Replacement Parts	28
Removing the Magazine	13	Full Assembly	29
Checking the Chamber.....	14	Frame Parts List.....	30
Slide Hold Open.....	15	Receiver Parts List.....	31
Ammunition	15	Slide Parts List	32
Loading the Magazine.....	16	Glossary	33
Preparing to Shoot	17		
Firing.....	17		
Unloading the Firearm.....	17		

LIMITED WARRANTY STATEMENT

The model CPX firearm has a lifetime warranty and is warranted to be free from defects in material and workmanship.

SCCY Industries will not be responsible for any defects caused by careless handling, unauthorized adjustment, modifications, improper ammunition, corrosion, neglect, abuse, normal wear and tear or any unreasonable use. In the event your firearm requires service beyond the warranty due to neglect or improper use, SCCY Industries will contact you and give you an estimate of charges before any work is performed. Any charges must be paid-in-full before the firearm is shipped back to you.

Any such defects will be remedied by SCCY Industries, pending SCCY Industries inspection of the entire firearm. Service due to defects in material and/or workmanship will be free of charge. Contact the factory at 866-729-7599 and speak with the service department before shipping your firearm.

DANGER

Children are attracted to and can operate firearms that can cause severe injuries or death. Prevent child access by always keeping firearms locked away and unloaded when not in use. If you keep a loaded firearm where a child obtains and improperly uses it, you may be fined or sent to prison.

ADVERTENCIA

A los niños los atraen las armas de fuego y las pueden hacer funcionar. Ellos pueden causarse lesiones graves y la muerte. Evité que los niños tengan acceso a las armas de fuego guardandolas siempre con llave y descargadas cuando no las este utilizando. Si usted tiene una arma de fuego cargada en un hogar en que un niño tiene acceso a ella y la use indebidamente, le pueden dar una multa o enviarlo a la carcel.

WARNING

- Failure to read, understand and follow the instructions and warnings accompanying this product may lead to serious bodily injury or death.
- **INSTALLING AN EMPTY MAGAZINE INTO THE FIREARM AND PULLING THE TRIGGER WILL DISCHARGE A CARTRIDGE LEFT IN THE CHAMBER. ALWAYS CHECK AND MAKE SURE THE CHAMBER IS EMPTY WHEN HANDLING A FIREARM.**
- Never carry a firearm in a loaded condition with the safety in the off position unless you are ready to fire it.
- Always make sure the firearm is unloaded before disassembly can be performed.
- Never point a firearm at anything you do not intend to shoot. If you do so, and the firearm discharges, injury, death or property damage may occur.
- Always install the child-resistant lock when the firearm is not in use.
- Never handle any firearm that is loaded or unloaded when alcohol or drugs have been consumed.
- This firearm will discharge without a magazine installed.

WARNING

When using this firearm always WEAR EYE and EAR PROTECTION. This applies to both the shooter and bystanders.

Keep the manual safety in the safe position (UP, CPX-1 only) until you are ready to shoot. See page 11 for further instruction.

NEVER put your finger(s) on the trigger or in the trigger guard area until you are ready to shoot.

NEVER continue to discharge your firearm if it fails to operate properly.

NEVER leave a loaded firearm unattended. Someone may discharge the firearm and cause injury, death and/or property damage.

NEVER take anyone's word that a firearm is unloaded and/or safety is in the safe position (UP, CPX-1 only). Check the firearm's condition yourself.

Be sure of your target. Be sure the area behind the target is clear before discharging your firearm. A bullet can travel several miles. **IF YOU ARE NOT SURE, DO NOT SHOOT.**

Always check the barrel for obstructions or blockages before you shoot your firearm (make sure firearm is unloaded before doing so). Any obstruction, no matter how small, could cause serious damage to the firearm and/or injury or death to shooter or bystanders.

No safety feature can replace proper firearms training, safe gun handling practices and common sense! When handling this or any firearm, always point the firearm in a safe direction. And always handle this or any other firearm as if it were loaded.

LEGAL WARNING

In most jurisdictions, it is illegal for a person under the age of 18 to possess and/or operate a firearm unless under the direct supervision of an adult. The adult owner of this firearm must ensure that no minors handle this firearm without his/hers direct supervision. In some states you may be fined and/or sent to prison.

FEDERAL LAW

It is unlawful to sell a handgun to any person less than 21 years of age. Doing so can result in fines and/or imprisonment.

OPERATING INSTRUCTIONS

SCCY Industries strongly urges you to review the following procedures. Follow them carefully to learn the basic functions and handling characteristics of your new firearm. It is strongly recommended that you retain these instructions for future reference. If you transfer ownership of this firearm, this instruction manual must be included.

Do not load the firearm until you have read all operating instructions at least one time. If the firearm is loaded, do not attempt to unload the firearm until you have read these instructions (see page 17, UNLOADING THE FIREARM). Throughout the following procedures, always point your firearm in a safe direction. Keep your finger(s) off the trigger and out of the trigger guard area. Grasp and hold the firearm firmly (see page 12, PROPER GRIP CONTROL). Remove the magazine and check the chamber to make certain the firearm is unloaded.

You or anyone you permit to handle this firearm must review and understand the entire instruction manual before handling the firearm. After reading the entire instruction manual, read through it again, this time examining the firearm in an unloaded condition to acquaint yourself with the features described in this manual. If, after reviewing these instructions and examining the firearm, you are unsure of how to safely operate the firearm, contact a certified firearm safety instructor for further instruction.

When discharging your firearm, you and bystanders should wear eye and ear protection at all times.

NOTE:

**MANUAL SAFETY FEATURE AND ASSOCIATED INFORMATION
ARE ONLY APPLICABLE TO MODEL CPX-1.**

COMPONENT NAMES



**This page contains ITAR-restricted data.*

BASIC FUNCTIONS

This section will describe the basic functions of the model CPX firearm. As shown in Figure 1, the firearm is in the ready to shoot configuration.

The Model CPX utilizes a Double Action Only (DAO) firing mechanism and will be explained in further detail throughout this section.

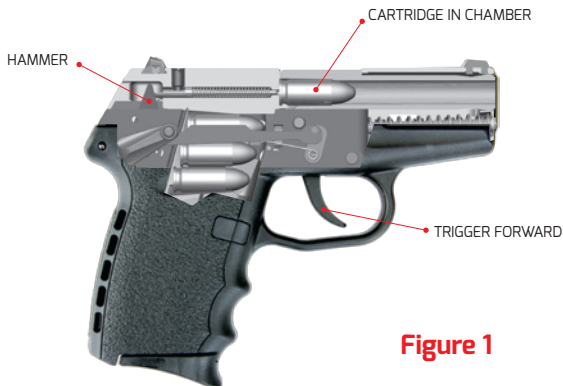


Figure 1

STEP 1

The first half of the (DAO) double action firing mechanism is when the trigger is pulled and the trigger bar engages the hammer and pulls it back to the cocked position as shown in Figure 2.

The hammer can not remain in the cocked position, due to its design. It automatically releases, once reaching its fully cocked position.



Figure 2

**This page contains ITAR-restricted data.*

STEP 2

The second half of the (DAO) double action firing mechanism is when the hammer snaps forward contacting the firing pin, causing it to strike the primer area of the cartridge as shown in Figure 3.

The primer ignites the gunpowder in the cartridge. The ignited powder is turned into expanding gases, forcing the bullet out of the barrel. As the bullet moves through the barrel's bore, it engages the rifling, thus causing it to spin. The spinning motion of a bullet allows it to travel to the point of impact with a higher degree of accuracy.



Figure 3

STEP 3

The expanding gases also push the empty case back, causing the slide to move back as shown in Figure 4. The shooter will now experience perceived recoil.

As the slide is moved back, the empty cartridge is held and carried back by the extractor (see part number: 01-012, extractor on page 32). When the slide reaches its fully recoiled position, the empty cartridge makes contact with the ejector (see part number: 01-032, ejector on page 31). The combining forces between the empty cartridge being held by the extractor and being pushed by the ejector force the empty cartridge out of the slide's ejection port.



Figure 4

STEP 4

The slide is moved forward by spring forces generated through the recoil spring sub assembly (see part number: 01-056, Recoil Spring Subassembly on page 32).

As the slide moves forward, it picks up another cartridge from the magazine and feeds it into the chamber as shown in Figure 5.

Once the slide reaches its fully forward position, the barrel locks up to the slide as shown in Figure 1 on page 6 and the firearm is ready to be discharged again. This cycle can be repeated until the magazine is emptied.

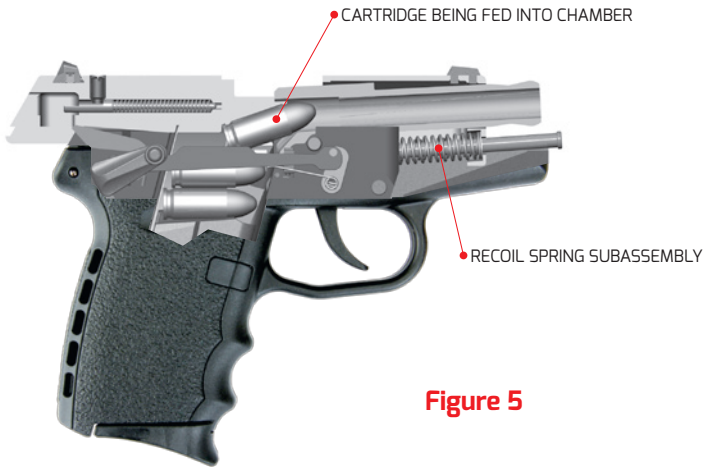


Figure 5

PROPER GRIP CONTROL

When preparing to shoot the firearm, firmly grasp the “grip area” of the firearm as shown in Figure 6.

To pull the slide back, firmly grasp the firearm’s “grip area” with one hand. With the other hand, firmly grip the “slide serrations area” and smoothly pull the slide back as shown in Figure 7.



Figure 6

DANGER

The finger(s) must remain clear of the trigger guard area until ready to discharge the firearm.



Figure 7

MANUAL SAFETY (MODEL CPX-1 ONLY)

The manual safety (found on CPX-1 only) is located on both the right and left side (ambidextrous) of the grip area and should ALWAYS be placed in the “SAFE” position until ready to fire. The safety rotates up and down between the “SAFE” and “FIRE” position. See Figure 8, safety shown in “SAFE” position. See Figure 9, safety shown in “FIRE” position.



Figure 8



Figure 9



REMOVING THE MAGAZINE

With the safety in the safe position, press the magazine release button, as shown in Figure 10, while maintaining a firm grip on the firearm. The magazine will drop freely from the magazine well. Do not allow the magazine to fall on the ground.

To insert a magazine into the firearm, align it with the magazine well and firmly slide it until it locks into place. Do not force the magazine into the magazine well or strike the magazine base to seat the magazine. Doing so may cause damage to the magazine.

The magazine release procedure can be done either in the slide hold position as shown, or with the slide forward and locked.



Figure 10

REMOVING THE MAGAZINE DOES NOT REMOVE A CARTRIDGE FROM THE CHAMBER. THIS FIREARM WILL DISCHARGE WITHOUT A MAGAZINE INSTALLED.

MANUAL SAFETY FEATURE AND ASSOCIATED INFORMATION ARE ONLY APPLICABLE TO MODEL CPX-1.

**This page contains ITAR-restricted data.*

CHECKING CHAMBER FOR AMMUNITION

To view inside the chamber, place safety in safe position (model CPX-1 only), remove the magazine, and then pull back the slide (approximately 1 inch) see Figure 11. While doing so, always have your finger(s) clear of the trigger area.

Visually inspect inside the chamber and magazine area to see if a cartridge is present. If a cartridge is present, your firearm is ready to be discharged/fired. If you do not intend to shoot at this time, you should unload your firearm including the cartridge in the chamber. Refer to page 15, UNLOADING YOUR FIREARM.



Figure 11

DANGER

ALWAYS CHECK THE CHAMBER

Never assume a firearm is unloaded when placing an empty magazine into the firearm. Installing an empty magazine into the firearm and pulling the trigger will discharge a cartridge in the chamber. This firearm will discharge without a magazine installed.

**This page contains ITAR-restricted data.*

SLIDE HOLD OPEN

After firing the last cartridge, the slide will remain open see Figure 12. This allows the operator to visually check the chamber and magazine area to make certain the firearm is empty.

If you intend to reload the firearm, replace the empty magazine with a full one. Firmly hold the firearm by the grip area, press down on the slide hold open lever. This will allow the slide to return to its forward, locked position while feeding a cartridge into the chamber. The firearm is now ready to be discharged.



Figure 12

AMMUNITION



Figure 13

The model CPX is designed for 9mm LUGER ammunition only, seen in Figure 13. The caliber is marked on the barrel and the cartridge. Make certain 9mm LUGER is used only. The use of improper size ammunition will cause damage to the firearm and/or injury or death to shooter and/or bystanders. It is highly recommended that top quality factory manufactured ammunition be used only. The use of reloaded or military surplus ammunition can cause jamming problems and possible serious injury to shooter and bystanders. Never use ammunition that is wet, corroded, dirty, bent, crushed, or is otherwise damaged.

**This page contains ITAR-restricted data.*

LOADING THE MAGAZINE

Use the proper size ammunition. Insert a cartridge into the feed lip area using light pressure in a downward fashion as shown in Figure 14. Never force cartridges into the magazine. As the magazine fills to capacity (10 cartridges), the amount of pressure increases due to spring preload.

When cartridges are visible at the top hole, this indicates there are 5 or more cartridges in the magazine. When cartridges are visible at the bottom hole this indicates the magazine is full. Never force more than 10 cartridges into the magazine. Doing so can cause damage to the magazine and its internal components.

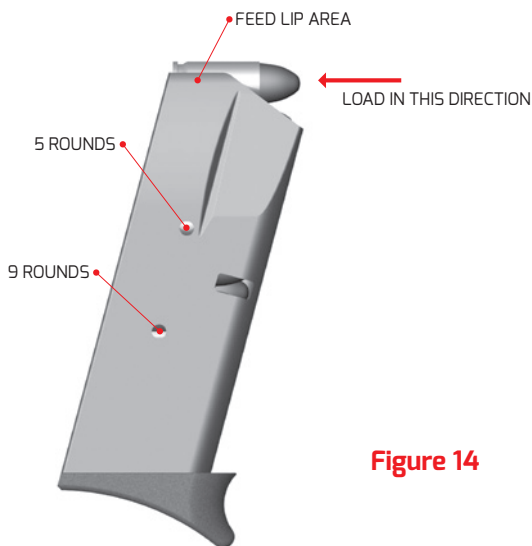


Figure 14

WARNING

+P CARTRIDGES SHOULD ONLY BE USED ON A LIMITED BASIS IN THE MODEL CPX.

This type of ammunition creates much higher chamber pressures than standard ammunition. Never fire more than 50 rounds of +P ammunition per session.

**This page contains ITAR-restricted data.*

PREPARING TO SHOOT

Always point the firearm in a safe direction. Any and all firearms are dangerous if not handled properly. Always wear proper eye and ear protection.

Lock slide BEFORE inserting loaded magazine. With the firearm pointed in a safe direction, insert a loaded magazine into the magazine well until it locks into place. Pull the slide back and lock it with the slide hold lever. Release the slide hold lever when ready to feed a cartridge from the magazine into the chamber. When ready to discharge the firearm, rotate the safety lever to the "FIRE" position.

IMPORTANT NOTE: Since the CPX-2 lacks a manual safety, it is ready to fire as soon as a cartridge is fed into the chamber!

If the firearm is in the slide hold position, insert a full magazine. Press the slide hold lever to release the side. Once you press the lever, let the slide close unassisted; do not grip or touch the slide as it travels forward. This will feed a cartridge from the magazine into the chamber. The firearm is now loaded and ready to be discharged.

FIRING

Firmly grasp the firearm, point the firearm at the target and carefully pull the trigger. The firearm will discharge, and automatically feed the next cartridge from the magazine into the chamber. The firearm is now ready to be fired again. Each time the trigger is pulled, the firearm will discharge until all cartridges in the magazine and chamber have been fired. When the last cartridge has been discharged, the slide hold lever will cause the slide to remain in its rearward position.

UNLOADING THE FIREARM

Place the safety in the safe position (model CPX-1 only). Point the firearm in a safe direction while keeping finger(s) off the trigger and out of the trigger-guard area. First remove the magazine. Pull and hold the slide rearward, the cartridge in the chamber will eject through the ejection port. Inspect to make certain no cartridge is present in the chamber.

REMOVING THE MAGAZINE DOES NOT REMOVE A CARTRIDGE FROM THE CHAMBER. THIS FIREARM WILL DISCHARGE WITHOUT A MAGAZINE INSTALLED.

**MANUAL SAFETY FEATURE AND ASSOCIATED INFORMATION
ARE ONLY APPLICABLE TO MODEL CPX-1.**

MISFIRE – FAILURE TO FEED OR EJECT

Keep the firearm pointed at the target for no less than 30 seconds. This will allow adequate time for a delayed cartridge to fire. Unload the firearm following the UNLOADING THE FIREARM procedure on page 17. Remember to remove the magazine from the firearm before ejecting the chambered cartridge.

Occasionally a semi-automatic firearm may fail to feed or eject a cartridge. If this should happen, perform the following procedures:

- **Keep fingers off of the trigger!**
- **Keep the firearm pointed in a safe direction during this entire procedure!**
- **Remove the magazine.**
- **Pull the slide rearward and remove any cartridge that is present in the chamber area.**
- **Inspect the cartridge that failed to feed or eject for dent or any other defects. A defective cartridge should be discarded and not used.**
- **Inspect the remaining cartridges in the magazine before continuing to discharge the firearm.**

If failure to feed or eject continues, the firearm may require cleaning and oiling (see page 20). If the problem continues, please contact a local gunsmith or SCCY Industries.

ADJUSTING THE REAR SIGHT

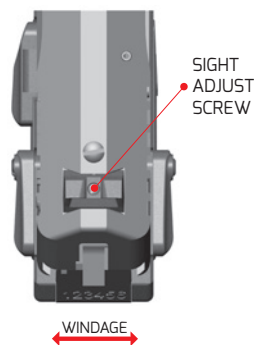


Figure 15

Using a 1/16" allen wrench, loosen (counterclockwise) the set screw located in the rear sight as shown in Figure 15. Then, slide the rear sight to its desired location and tighten the set screw (clockwise). **MAKE SURE FIREARM IS UNLOADED.**

To move the point of impact to the left, move the rear sight to the left. To move the point of impact to the right, move the rear sight to the right. Make small gradual adjustments until the firearm is sighted in.

The model CPX's sighting system is for windage adjustments only (left or right). The Front Sight is permanently mounted and cannot be adjusted.

**This page contains ITAR-restricted data.*

DISASSEMBLY FOR CLEANING

STEP 1

With the firearm unloaded and the safety in the ON/UP position (model CPX-1 only), firmly grip the firearm with one hand. With the other hand, pull back the slide as shown in Figure 16. If there is an empty magazine in the magazine well, the slide hold lever will lock the slide in its rear position. If there is no magazine present, the slide hold lever will need to be pushed up manually to lock into place.

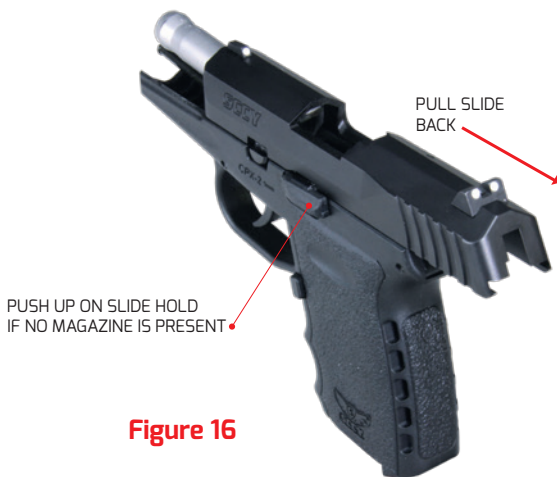


Figure 16

NEVER DISASSEMBLE A LOADED FIREARM. DOING SO CAN CAUSE SERIOUS INJURY OR DEATH TO SELF AND/OR BYSTANDERS.

STEP 2

Using a small flat blade screwdriver (or the rim of a spent cartridge), insert into the slot found in the top of the disassembly pin as shown in Figure 17 and Figure 18. With light pressure pry outward in the direction the arrow displays until the disassembly pin is removed as shown in Figure 19.

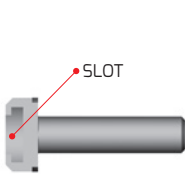


Figure 17

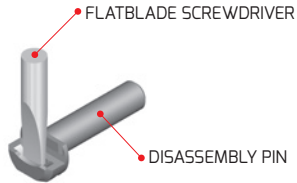


Figure 18



Figure 19

STEP 3

Move the slide forward. It should now move freely off the receiver as shown in Figure 20.

For further disassembly, refer to the subassembly exploded views on pages 29 through 32.

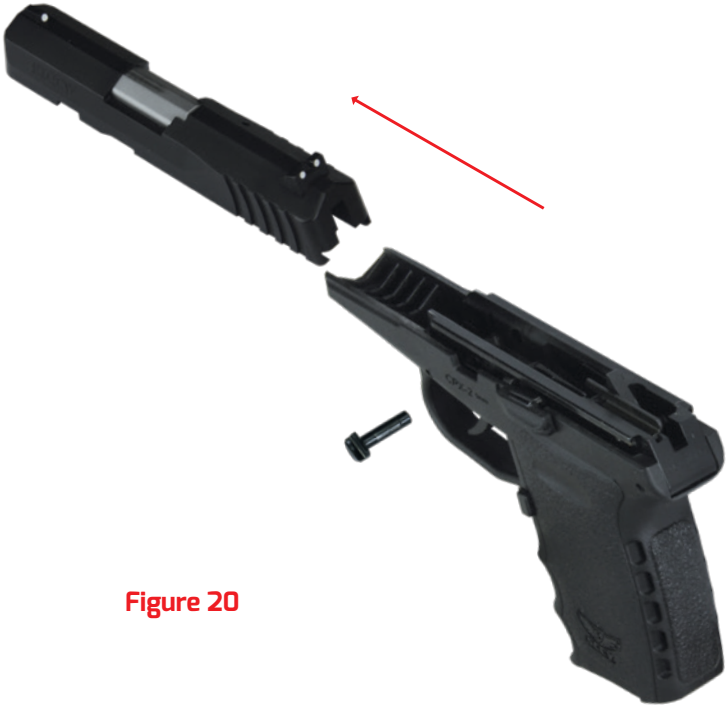


Figure 20

CLEANING AND OILING

To ensure proper operation of the firearm, it is necessary to keep the firearm's internal components clean and lubricated. After completing the disassembly procedure (steps 1 through 3), the firearm is now ready for cleaning.

Normal cleaning is easily accomplished by using common gun cleaning fluids, either liquid or aerosol, to remove any gun powder residue. Do not use any water-based household cleaning products such as detergents; they can cause corrosion.

Apply a light coat of gun oil to all internal surfaces, excluding the firing pin hole. This allows a smoother operation while protecting the firearm from corrosion.

The slide, barrel and recoil spring subassembly can be separated for cleaning (see page 32, SLIDE PARTS LIST).

Clean the gun powder residue from the top of the receiver area and apply a light coat of oil to the top of the receiver and hammer area. Also, apply a light coat of oil to the inside of the feed lip area of the magazine, allowing oil to coat the inside of the magazine body. Any further disassembly is not necessary under normal usage.

STEP 1

Assemble the barrel, slide and recoil subassembly, making certain that the recoil subassembly is seated properly. Note: the smallest end of the recoil spring subassembly is placed in the hole on the front of the slide. The large end is seated on the barrel lug.

Point firearm downward and align the slide with rails on the receiver, slide into place as shown in Figure 21. There should be no magazine present during this process.



Figure 21

MAKE CERTAIN THERE IS NO CARTRIDGE IN THE CHAMBER DURING REASSEMBLY.

STEP 2

Push the slide all the way back while manually applying upward pressure on the slide hold lever until it engages and holds the slide into place as shown in Figure 22. It is normal to feel pressure; this is due to compressing the recoil spring subassembly.



Figure 22

**This page contains ITAR-restricted data.*

STEP 3

Make certain the barrel is pulled full forward and the kidney-shaped hole in the barrel, see Figure 23, is aligned properly. If not, move the barrel back and forth until it lines up. Then, push the disassembly pin all the way in until it snaps into place as shown in Figure 24.



KIDNEY-SHAPED HOLE
ALIGN THIS AREA WITH
HOLE IN RECEIVER

Figure 23



Figure 24

STEP 4

Making certain the disassembly pin is snapped into location (all the way in) as shown in Figure 25; pull down on the slide hold lever, allowing the slide to move forward to the locked position. Before loading, you should manually check the operation of the slide, barrel and firing system to ensure the firearm is assembled properly. When the slide is pulled rearward and released, the barrel should unlock and lock. Test the firing system by pulling the trigger several times, ensuring the hammer strikes the firing pin properly.



Figure 25

**This page contains ITAR-restricted data.*

CHILD-RESISTANT LOCK

The model CPX is supplied with a custom-fitted, child-resistant trigger guard lock, as shown in Figure 26, designed specifically for the model CPX. In addition, the lock is supplied with 2 keys. NEVER INSTALL THE LOCK ON A LOADED FIREARM.



LOCK
SHOWN
OPEN

Figure 26

The trigger guard lock should always be installed on the firearm when the firearm is not in use. (Also, see **STORING AND TRANSPORTING THE MODEL CPX** on page 26.)

Should the trigger guard lock become damaged or lost, SCCY Industries will replace it for just shipping and handling charges. Some states require that all firearms be locked when the firearm is not in use.

When the lock is in the open position, the key stays with the lock and cannot be removed. The trigger guard lock can be installed on the firearm with or without the magazine present.

INSTALLING THE TRIGGER GUARD LOCK

STEP 1

With the safety in SAFE position (model CPX-1 only) and the trigger lock in the open position, place the back half of the lock on the trigger guard as shown in Figure 27. Make certain the trigger fits between the two housings.



Figure 27

STEP 2

While firmly holding the firearm and back of the lock with one hand, use the free hand to swing the front of the lock closed. The two halves of the lock should now be mated securely around the firearm's trigger guard as shown in Figure 28.



Figure 28

STEP 3

While firmly holding the two lock halves closed with one hand, use the free hand to turn the key clockwise (right) to the lock position. Now the key can be removed.

STORE KEY(S) OUT OF REACH OF CHILDREN.

STORING AND TRANSPORTING THE MODEL CPX

Do not discard the box the CPX was purchased in. It is specifically designed to store the firearm with the lock installed along with the spare magazine. Always store your firearm with the child-resistant lock installed. Keep the firearm and keys in separate places out of reach of children. Never store your firearm and spare magazine loaded. Never store ammunition with a firearm. Always store firearms and ammunition in separate places.

Prior to transporting your firearm, make certain it is unloaded (see page 17, UNLOADING THE FIREARM). Contact your local law enforcement official for approved methods of firearms transportation. It is unlawful to ship a firearm to anyone other than the manufacturer or from dealer to dealer. If you require shipping your firearm, make certain to log the firearm's serial number.

**This page contains ITAR-restricted data.*

LIMITED WARRANTY STATEMENT

The model CPX firearm is warranted to be free from defect(s) in material and workmanship for a lifetime from the date of purchase.

Any such defects will be remedied by SCCY Industries, pending SCCY Industries inspection of the entire firearm. Service due to defect(s) within the terms of the warranty will be free of charge. Contact the factory at 866-729-7599 and speak with the service department before shipping your firearm for service.

SCCY Industries will not be responsible for any defect(s) caused by careless handling, unauthorized adjustment, modifications, improper ammunition, corrosion, neglect, abuse, normal wear and tear, or any unreasonable use. In the event that your firearm requires service beyond the warranty terms, SCCY Industries will contact you and give you an estimate of charges before any work is performed. Any charges must be paid-in-full before the firearm is shipped back to you.

To ensure a quick turn-around, enclose a note stating the problem you are experiencing with your firearm. Be sure to include the firearm's return address and contact telephone number. **All firearm shipments must be received by and signed by an adult.** To expedite questions regarding the status of your firearm while being serviced, please record the firearm's serial number and refer to it while speaking to the service technician.

All returned firearms shipped back to their owner must be received by and signed by an adult (21 years of age or older) or the shipment will be returned.

REPLACEMENT PARTS

Should your model CPX require service or maintenance, contact:

SCCY Industries

1800 Concept Court

Daytona Beach, FL 32114

Call Toll Free: 866-729-7599

Business hours are 8:30am to 5:00pm, Monday through Friday, EST

Refer to pages 29 through 32 for individual part numbers.

- Please be advised that the receiver (part number: 01-007) must be replaced by the factory only. Return of the entire firearm is mandatory.
- Individual parts for magazines are not available; magazines are only sold as full assemblies.

RECORD AND STORE THE MODEL CPX SERIAL NUMBER, KEEP IN A SAFE PLACE BEFORE SHIPPING BACK TO THE FACTORY.

FULL ASSEMBLY

FRAME PIN (2)

01-030

DISASSEMBLY PIN

01-037



**This page contains ITAR-restricted data.*

FRAME PARTS LIST

FRAME	01-008
MAGAZINE RELEASE	01-013
END CAP PIN	01-023
END CAP	01-033
MAGAZINE RELEASE SPRING	01-034



**This page contains ITAR-restricted data.*

RECEIVER PARTS LIST

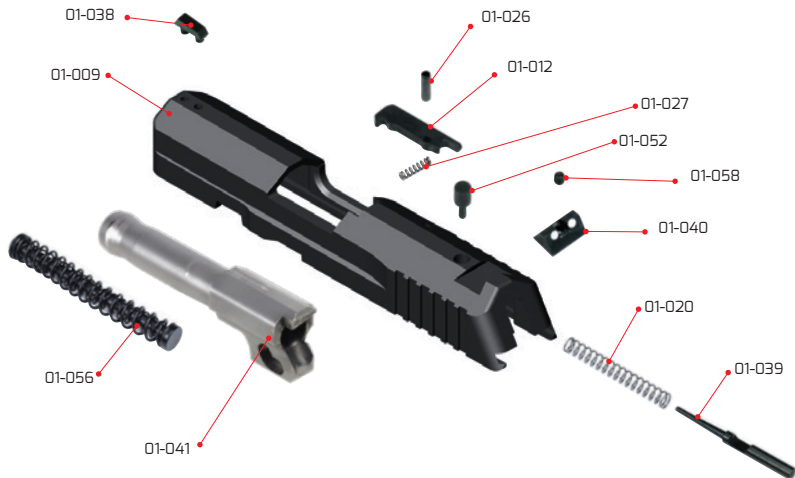
RECEIVER	01-007
TRIGGER	01-010
TRIGGER BAR	01-014
PLUNGER SPRING	01-015
TRIGGER SPRING	01-016
TRIGGER CAM	01-018
HAMMER	01-022
HAMMER SPING PIN	01-031
HAMMER AXIS PIN	01-024
HAMMER SPRING	01-025
SLIDE HOLD SPRING	01-028
EJECTOR PIN	01-029
EJECTOR	01-032
SLIDE HOLD	01-036
SAFETY LEVER RIGHT	01-048
SAFETY LEVER LEFT	01-049
PLUNGER	01-053
SAFETY LEVER SCREW	01-054



**This page contains ITAR-restricted data.*

SLIDE PARTS LIST

SLIDE	01-009
EXTRACTOR	01-012
FIRING PIN SPRING	01-020
EXTRACTOR PIN	01-026
EXTRACTOR SPRING	01-027
FRONT SIGHT	01-038
FIRING PIN	01-039
REAR SIGHT	01-040
BARREL	01-041
FIRING PIN RETAINER	01-052
RECOIL SPRING SUBASSEMBLY	01-056
REAR SIGHT ADJUSTMENT SCREW	01-058



**This page contains ITAR-restricted data.*

This glossary is to define terms as used throughout this manual and to help the beginner better understand firearm terminology.

Ammunition: (Ammo/Cartridge) A casing, bullet, primer, and gun powder becomes a cartridge and is used in a firearm. Ammunition comes in many different calibers.

Ambidextrous Safety: A safety system that can be applied from either side of the firearm. (The model CPX-2 does not possess a safety.)

Barrel: The firearm component through which the bullet travels.

Bore: The hole in the barrel that is rifled.

Breech Face: A face on the slide that supports the cartridge in the barrel.

Cartridge: See Ammunition.

Chamber: A portion of a barrel that houses a cartridge.

Double Action: The style of a firing mechanism. The trigger is pulled only once to cock and discharge the firearm.

Discharge: The firing of a cartridge.

Ejector: A component of a firearm used to eject an empty cartridge.

Extractor: A component of a firearm that pulls the cartridge out of the chamber.

Feeding: The process in which the slide pushes a cartridge from the magazine into the chamber.

Feed Lips: The upper portion of the magazine that retains and positions the cartridges to the chamber.

Firing Pin: The component of a firearm that strikes the primer area of a cartridge.

Grip: The portion of a frame where the firearm is held.

Hammer: The component of a firearm that strikes the firing pin.

Lock Breech: When the barrel and slide are locked together to contain the chamber pressures created by shooting.

Magazine: An accessory of a firearm that stores live cartridges before being discharged.

Magazine Release: A component of a firearm used to hold the magazine in place and that, when pushed, releases the magazine.

Magazine Well: The hollow portion of a firearm's frame that houses the magazine.

+P Ammunition: Ammunition with a higher amount of gunpowder used to test firearm chamber pressures.

Primer: The component of ammunition that, when struck by the firing pin, ignites the gunpowder inside ammunition.

Receiver: The main component of a firearm that all the other firearm components attach to.

Recoil: The reaction felt by the shooter after discharging a firearm.

Rifling: A series of spiraled grooves in the bore portion of a barrel, causing the projectile to spin.

Slide: A major component of the firearm that moves back and forward to feed and eject cartridges. This component also contains the barrel, firing pin and recoil spring assembly.

Serrations: A portion on the back of the slide that the shooter grips when pulling back the slide.

Serial Number: A unique number given to each firearm used to identify it.

Spring Preload: Forces generated by spring pressure.

Trigger Bar: A component of a firearm firing mechanism that links the trigger to the hammer.

Windage: The left and right adjustment of a sight on a firearm.



Thank you for purchasing SCCY Industries Model CPX. We at SCCY Industries are committed to supplying the firearms industry with the finest possible products.

If you follow these instructions carefully, the Model CPX should give you many years of fine service.

Remember: Safety First!

Before this firearm left the factory, it was test fired with a full magazine, inspected, cleaned and packaged. SCCY Industries cannot control the subsequent handling when your firearm left the factory. Therefore, examine your firearm carefully before firing it.

SEEFY



FEATURES

- 9mm 10-Round Magazine Capacity
- Extra Magazine
- Lock Breach
- Stainless Steel Slide
- Stainless Steel Barrel
- Ambidextrous Safety
- Slide Holds Open on Last Round
- Adjustable Rear Sight
- Internal Hammer
- Double Action Only (DAO)
- Polymer Frame
- Child-Resistant Lock
- Lightweight & Compact
- Magazine Finger Rest

SCCY INDUSTRIES, LLC
1800 CONCEPT COURT
DAYTONA BEACH, FLORIDA 32114

866-729-7599

SALES@SCCY.COM SERVICE@SCCY.COM