



# HENRY®

Made In America, Or Not Made At All

HenryUSA™

## Henry Lever Action

.22S/L/LR / .22LR / .22 MAG / .17HMR

*Instruction Manual For All H001 Series Rifles*



**Important:**

Study this instruction manual carefully before you handle this firearm.

IS A REGISTERED TRADEMARK  
OF THE HENRY REPEATING ARMS COMPANY

TEL. 201-858-4400 | FAX. 201-858-4435

WEBSITE. [www.henryusa.com](http://www.henryusa.com)

**Made in America**



**WARNING: BEFORE USING FIREARM, READ AND FOLLOW THESE INSTRUCTIONS.**

If there is anything you do not understand,  
get help from someone qualified to teach the safe handling of firearms.

## THE HENRY GUARANTEE

Thank you very much for spending your hard earned money to purchase a Henry. I certainly appreciate it and welcome you to the Henry family. As an owner of a Henry, you are backed by our lifetime warranty and my personal guarantee for 100% satisfaction. I will do what it takes to make certain you are happy with your purchase.

Sincerely,

*Anthony Imperato*

**Henry Repeating Arms**

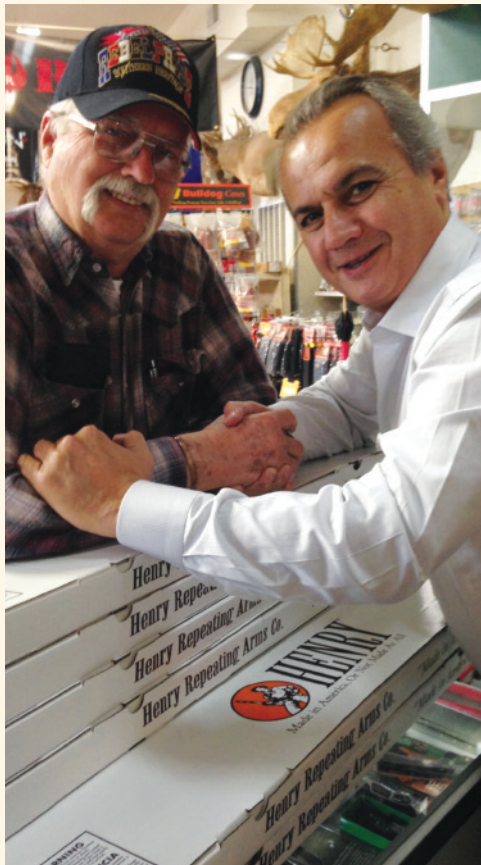
Telephone: 201.858.4400

Web: [www.henryusa.com/contact](http://www.henryusa.com/contact)

*We are confident that you'll enjoy and be proud to own any of our Henry firearms, well known for their reliability, accuracy, handsome looks and smooth action.*

*Our goal has and always will be to manufacture a line of classic, well-crafted firearms that every enthusiast would find readily affordable.*

*We take great pride in manufacturing our shotguns in the United States, hence our corporate motto "Made in America, or Not Made at All".*



**HENRY**<sup>®</sup>  
Made In America,  
Or Not Made At All

Use the space below to record information about your new firearm.

Serial Number\* \_\_\_\_\_

Caliber \_\_\_\_\_

Purchase Price \_\_\_\_\_

Purchased From \_\_\_\_\_

Date of Purchase \_\_\_\_\_

\*The serial number is located on the top of the receiver. Record this number in this manual for future reference.

Henry Repeating Arms Company  
59 East 1st Street  
Bayonne, NJ 07002

If you have any questions or comments regarding your new Henry firearm, please feel free to write or call us.

## **SIMPLE LIMITED LIFETIME WARRANTY ON ALL HENRY FIREARMS**

It is our promise to you that as long as you own your Henry firearm, it will be free from defects in material and workmanship from the manufacturer. If you have a problem with your Henry firearm, we will fix it at no charge to you. Henry Repeating Arms shall repair, send replacement parts or replace the firearm with a valid warranty claim. If a complete replacement is necessary, the original firearm will not be returned. Henry RAC will provide repairs or replacement at no charge, but will not offer cash, credit, or refund.

**WE RESERVE THE RIGHT TO REFUSE SERVICE ON FIREARMS THAT HAVE BEEN ALTERED, ADDED TO, OR SUBSTANTIALLY CHANGED.** Removal of metal from the barrel, or modifications of the firing mechanism and/or operating parts, may lead to a refusal of service on such firearms. There will be a charge for parts and labor to return the firearm to original specifications.

**DO NOT, UNDER ANY CIRCUMSTANCES, ALTER THE TRIGGER, "SAFETY" OR OTHER PARTS OF FIRING MECHANISM OF THIS OR ANY OTHER FIREARM. FAILURE TO OBEY THIS WARNING MAY RESULT IN INJURY OR DEATH.**

**NOTICE:** Henry RAC shall not be responsible for injury, death, or damage to property resulting from either intentional or accidental discharge of this firearm, or from its function when used for purposes or subjected to treatment for which it is not designed.

Whether or not you are experienced in the safe handling of firearms, we urge you to read this entire instruction manual carefully. You must follow the safety instructions for your safety and the safety of others. Should you have any questions concerning the instructions in this manual, please call us at 201-858-4400.

**WARNING:** If you have little or no experience in the safe handling and operation of a firearm, we strongly urge you to take a firearms safety course from an NRA Certified Instructor or someone with equivalent qualifications before using this or any other firearm. You can contact the NRA Firearms Education and Safety Division at 703-267-1470 for the name of an instructor in your area, or contact your firearms dealer, law enforcement agency or local sportsman's club for training.

## Table of Contents

Gun Safety and Handling . . . . .	4
Terminology . . . . .	5
Specs . . . . .	6
Ammunition . . . . .	6
Shooting Cautions . . . . .	7
<b>Operating Instructions</b>	
How To Use the Safety . . . . .	8
Maintenance Before Use . . . . .	8
How To Load Your Henry . . . . .	8
How To Operate Your Henry . . . . .	9
How To Unload Your Henry . . . . .	9
How To Adjust Your Sights . . . . .	10
Malfunction . . . . .	10
<b>Cleaning, Maintenance &amp; Storage</b>	
How To Clean Your Henry . . . . .	11
Maintenance Before Storage . . . . .	13
Storage Safety . . . . .	13
Parts . . . . .	15
Service and Repair . . . . .	16

---

## GENERAL GUN SAFETY HANDLING

Apply the following safety rules in every situation, with any kind of firearm:

**ALWAYS TREAT EVERY FIREARM AS IF IT IS LOADED AND WILL FIRE.** Do not take anyone's word that the firearm is unloaded - always check for yourself. Never pass your firearm to another person until the cylinder or action is open and you visually check that it is unloaded. Keep your firearm unloaded and safely stored when not in use.

**ALWAYS BE SURE OF YOUR TARGET AND WHAT IS BEYOND.** A bullet could travel through or past your target for up to 1½ miles. Always be sure your backstop is adequate to stop and contain bullets before beginning target practice so that you do not hit anything outside the range shooting area. If in doubt, don't shoot! Do not fire randomly into the sky.

**NEVER SHOOT ACROSS A HIGHWAY OR ANOTHER ROADWAY.**

**ALWAYS POINT YOUR FIREARM IN A SAFE DIRECTION.** NEVER point a firearm at anyone or anything you do not intend to shoot whether or not it is loaded. This is particularly important when loading, unloading, or field stripping the firearm. ALWAYS control the direction of the firearm; if it fires accidentally, injury, death, or damage to property can be avoided.

**NEVER PLACE YOUR FINGER INSIDE THE TRIGGER GUARD OR ON THE TRIGGER UNLESS YOU INTEND TO FIRE.** You should also take care to ensure that other objects do not touch the trigger.

**NEVER USE ALCOHOL OR DRUGS BEFORE OR WHILE SHOOTING.** Your vision, motor skills and judgment could be dangerously impaired, making your gun handling unsafe to you and to others. Further, do not use your firearm if you are on any medication which impairs, even slightly, your mental or physical ability.

**ALWAYS SEEK A DOCTOR'S ADVICE IF YOU ARE TAKING MEDICATION.** Be sure you are fit to shoot and handle your firearm safely.

**NEVER SHOOT AT A HARD SURFACE SUCH AS A ROCK OR A LIQUID SURFACE SUCH AS WATER.** A bullet may ricochet and travel in any direction to strike you or an object you cannot see, causing injury, death or damage to property.

**NEVER DISCHARGE A FIREARM NEAR FLAMMABLE MATERIAL.** Flame and sparks erupt from the firearm when discharged. They could start a fire or cause flammable liquids to explode.

**ALWAYS BE AWARE OF POSSIBLE RISK FROM DROPPING YOUR FIREARM.** Some parts of the mechanism could be damaged. You may not see the damage, but it could be severe. The firearm may discharge and cause injury, death, or damage to property. If your firearm has been dropped, have it examined by a competent gunsmith before using it again.

**ALWAYS KEEP AND CARRY YOUR FIREARM EMPTY WITH THE HAMMER IN THE "SAFE" POSITION** except when you intend to shoot, so that your firearm cannot be fired when you do not intend to fire it.

**NEVER CROSS OBSTACLES SUCH AS FENCES OR STREAMS WITH A LOADED FIREARM.** Always make certain your firearm is unloaded before crossing a fence, climbing a tree, jumping a ditch or approaching other obstacles.

**NEVER TRANSPORT A LOADED FIREARM.** Keep all firearms unloaded during transport, even when stored in a holster, gun case, scabbard or other container.

---

**NEVER WALK, CLIMB, OR FOLLOW A COMPANION WITH YOUR FIREARM COCKED AND READY TO FIRE.** When hunting, hold your firearm so that you can always control the direction of the muzzle.

**NEVER LEAVE A LOADED FIREARM UNATTENDED.** Someone, especially a child, may fire it and cause injury, death, or damage to property.

**ALWAYS INSTRUCT CHILDREN AND NON SHOOTERS TO RESPECT FIREARMS.** If you teach your children to shoot or get them trained by a qualified instructor, be certain they know how to use the firearm properly and always supervise them closely. Always stress safety so that your children or others will not fire a rifle when or where it is unsafe to do so.

## TERMINOLOGY AND DESCRIPTIONS

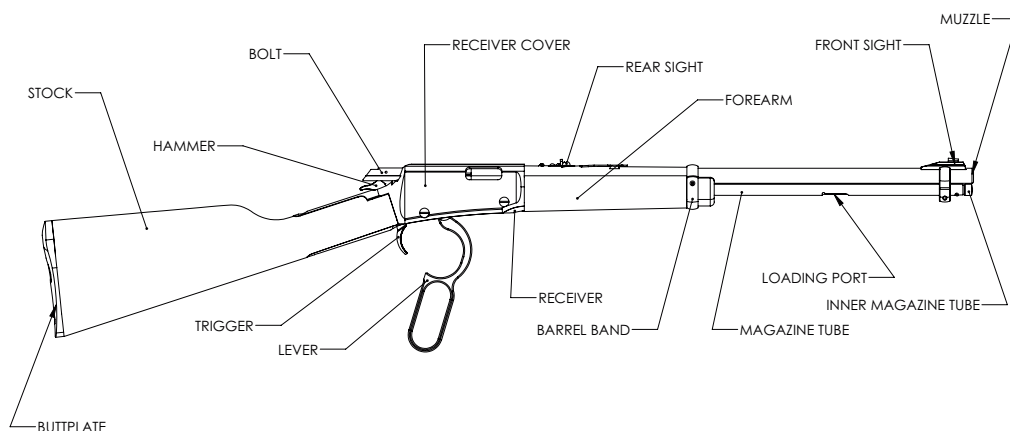
Congratulations on your purchase of your Henry Lever Action (H001 models).

The Henry Lever Action is a classic Western-style lever action rifle, and one of the most popular .22 rifles. It features an attractive American walnut stock, smooth action, side ejection, and a 3/8" grooved receiver for mounting a scope.

The Henry Lever Carbine .22 rifle features a large loop lever that is perfect for individuals with larger hands or when wearing gloves in cold weather. It has a compact overall length of 34" and a 16 1/8" barrel. Calibers include .22 S/L/LR, .22 Magnum, .17HMR.

The Henry Lever Action Garden Gun .22LR Shotshell features a smooth bore round barrel with a Black Ash straight grip stock.

## HENRY LEVER ACTION .22 S/L/LR / .22LR / .22MAG / .17HMR



## SPECS

<b>Action Type</b>	Lever Action Repeater	<b>Overall Length</b>	.22 S/L/LR - 33.75" - 42.5"
<b>Caliber</b>	.22 S/L/LR		.22 S/L/LR Carbine - 34" - 34.25"
	.22 Mag		.22 S/L/LR Mare's Leg - 25"
	.17 HMR		.22 Mag - 37.5" - 42.5"
	.22LR Shotshell		.22 Mag Carbine - 33.75"
<b>Capacity</b>	Round Barrel .22 S/L/LR - 15LR/21S		.22LR - 36.5"
	Octagon Barrel .22 S/L/LR - 16LR/21S	<b>Weight</b>	.17 HMR - 37.5" - 38.5"
	.22 Youth -12 LR/16S		4.5 lbs - 7 lbs
	.22 S/L/LR Carbine -12LR/16S		Youth - 6lbs
	.22 Mag 12 rounds	<b>Receiver Finish</b>	Black or Brushed Nickel
	.22 Mag Carbine - 9 rounds	<b>Rear Sight</b>	Fully Adjustable, Peep Sight or Fiber Optic
	.17 HMR - 11 rounds	<b>Front Sight</b>	Brass Bead, Hooded Blade or Fiber Optic
	Round Barrel .22LR Shotshell - 15LR rounds	<b>Scopeability</b>	3/8" Grooved Receiver
	Mare's Leg - .22 S/L/LR - 10LR/16S	<b>Stock</b>	American Walnut Straight Grip
	Mare's Leg - .22 Mag - 9 rounds		H001V - Checkered Monte Carlo Grip
			H001GG - Black Ash Straight Grip
<b>Barrel Length/Type</b>	Round or Octagon	<b>Buttplate/pad</b>	Black
	Blued Steel 12.875" - 24"		H001V - Black Solid Rubber Recoil Pad
	.22 Youth - 16.25"	<b>Length of Pull</b>	14"
	.22LR Blued Steel Smooth Bore - 18.5"		Youth - 13"
<b>Rate of Twist</b>	.22 and .22 Mag - 1:16	<b>Safety</b>	1/4 Cock
	.17 HMR - 1:9	<b>Handing</b>	L/R
	.22LR Shotshell - NA		

## AMMUNITION

ONLY USE DESIGNATED AMMUNITION FOR EACH MODEL.

**LEVER ACTION ROUND BARREL .22 RIFLE** Holds 15 rounds of .22 Long Rifle or 21 rounds of .22 Short.

**LEVER ACTION OCTAGON BARREL .22 RIFLE** Holds 16 rounds of .22 Long Rifle or 21 rounds of .22 Short.

**THE YOUTH model** Holds 12 rounds of .22 LR and 16 rounds of .22 Short.

**.22 S/L/LR CARBINE** Holds 12 rounds of .22 Long Rifle or 16 rounds of Short

**.22 MAGNUM** If you purchased a Henry Lever Action .22 Magnum, make sure that the ammunition you are using is .22 WMR. The capacity for the .22 Magnum is 12 rounds.

**.22 MAGNUM CARBINE** will hold 9 rounds.

**.17 HMR** If you purchased a Henry Lever Action .17 HMR, make sure the ammunition you are using is .17HMR. The capacity for the .17 HMR is 11 rounds.

**MARE'S LEG** If you purchased a Mare's Leg .22 S/L/LR, the capacity is 10LR/16S. If you purchased a Mare's Leg .22 Mag, the capacity is 9 rounds.

DO NOT USE CB OR BB CAPS (SHOTHELLS) IN ANY OF THE ABOVE.

**WARNING:** YOU CANNOT USE .22 MAGNUM ROUNDS IN A .22 LR OR VICE VERSA.



---

## **AMMUNITION** FOR H001GG ONLY

**LEVER ACTION ROUND BARREL SMOOTHBORE .22LR SHOTSHELL** Holds 15 rounds of .22 Long Rifle.

**WARNING:** USE ONLY .22LR SHOTSHELLS IN THIS MODEL.

## **AMMUNITION** SELECTION

**ALWAYS USE THE CORRECT AMMUNITION FOR YOUR PARTICULAR FIREARM.** Henry Repeating Arms Firearms are designed to function with a variety of brands and types of factory manufactured ammunition in the appropriate caliber, but not all ammunition produces the same result. Be sure the only ammunition you carry correctly matches the gauge or caliber you are shooting. Never use non-standard, reloaded, or "hand-loaded" ammunition which has not been subjected to internal ballistic pressure testing. Henry RAC recommends that after you read and understand this manual, you go to the range and fire different ammunition which is appropriate to the caliber of your firearm. Once you find the ammunition which functions best, keep using it.

## **RANGE AND SHOOTING** CAUTIONS

**ALWAYS DESIGNATE A KNOWLEDGEABLE AND RESPONSIBLE PERSON TO BE IN CHARGE TO MAINTAIN SAFETY CONTROL WHEN A GROUP IS FIRING ON A RANGE.** Obey their commands so that discipline is maintained to reduce the possibility of accidents.

**ALWAYS CARRY YOUR FIREARM EMPTY WITH THE ACTION OPEN WHILE ON A RANGE** until preparing to fire and keep it pointing towards the backstop when loading, firing, and unloading to eliminate the risk of injury, death or damage to property.

**ALWAYS KEEP THE HAMMER IN THE UNCOCKED POSITION UNTIL YOU ARE READY TO FIRE.** This will minimize the risk of an accidental discharge.

**ALWAYS WEAR EYE AND EAR PROTECTION SPECIFIED FOR USE WITH FIREARMS.** Flying particles could damage eyes and cause blindness. Without ear protection, the noise of even one shot from your rifle and from other guns close to you could leave a "ringing" in the ears for some time after firing and the cumulative long term effect could be permanent hearing loss. Make sure others in the vicinity of where you are shooting are doing so as well.

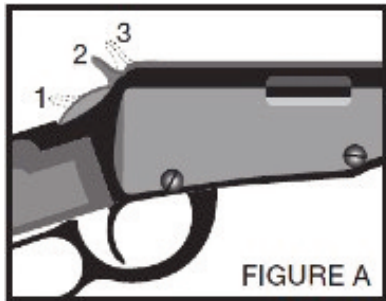
**ALWAYS KEEP CLEAR AND KEEP OTHERS CLEAR OF THE EJECTION PORT.** Spent shells are ejected with enough force to cause injury. The ejection port must also be unobstructed by your hand to insure safe ejection of spent rounds. Never place fingers in ejection port - they could be burned by hot metal or injured by the bolt moving forward.

**NEVER PUT YOUR FINGER INSIDE THE TRIGGER GUARD UNTIL YOU ARE AIMING AT A TARGET AND READY TO SHOOT.** This will prevent you from firing the firearm when it is pointing in an unsafe direction.

**NEVER JOKE AROUND OR ENGAGE IN "HORSEPLAY" WHILE HANDLING YOUR FIREARM.** Doing so could cause an accidental discharge.



## OPERATING INSTRUCTIONS FOR YOUR HENRY .410 SHOTGUN & AXE FIREARM



### 1/4 COCK SAFETY

#### HOW TO PLACE THE HAMMER IN THE SAFETY POSITION.

There are two ways to set the hammer into the Safety position.

With the firearm pointed in a safe direction and the hammer in the fired (down) position, (Figure A- 3), cock the hammer back slightly, about 1/16th to 1/8th of an inch, until you feel and hear the hammer click into the Safety position (Figure A-2).

The hammer will now be locked into the Safety position and if you pull the trigger to fire, the hammer should not fall.

The second way to set the safety is from the Full-Cock position (Figure A-1). Firmly hold the hammer back with your thumb. While holding the hammer, apply just enough pressure on the trigger to release the hammer from the Full-Cock position. Remove your finger from the trigger very quickly, and slowly lower the hammer into the Safety position.

If you do not have a full understanding of how the safety system works, please call us immediately at 201-858-4400 and ask for technical assistance.

### MAINTENANCE BEFORE USE

Before using your firearm for the first time, it should be cleaned. (See the cleaning instructions.) Your firearm was treated at the factory with either a preservative or oil to protect it against corrosion during shipping and storage. Preservative and oil should be wiped from the bore, chamber and exposed areas using a clean swab or patch before using the firearm.

Purchase cleaning supplies that are specifically designated for your type and caliber of firearm. Many suppliers offer these in kit form for your convenience. Follow the instructions provided. Whenever your firearm has been exposed to sand, dust, extreme humidity, water or other adverse conditions, it should be cleaned and lubricated.

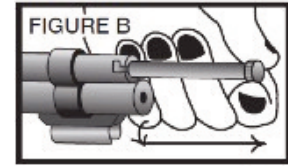
### HOW TO LOAD YOUR HENRY RIFLE

To load the magazine tube, first place the hammer in the Safety position.

**Important:** While holding the hammer back with your thumb, apply just enough pressure on the trigger to release the hammer from the Full-Cock position (Figure A-1), while continuing to hold hammer with thumb, and immediately and simultaneously remove your finger from the trigger. Slowly and carefully allow the hammer to lower into the Safety position. The method of setting the safety should be practiced on an unloaded firearm until you are thoroughly familiar. If this procedure is not clear, please contact customer service. You are now ready to load.

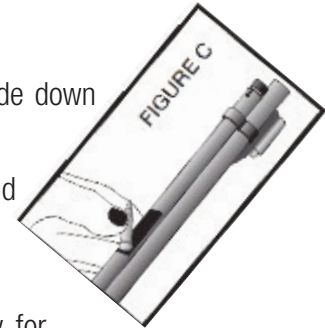


Remove the inner magazine tube by twisting the magazine knob (Figure B) and pull the tube out until the orange colored follower (black for .22 Magnums and .17 HMR's) is visible and clears the loading port in the outer magazine tube.



**Note:** DO NOT LOAD with the muzzle pointed straight up as the bullets could be pushed or lodged into the cartridge.

With the muzzle angled in an upward (not straight up) position, insert the rimmed end of the cartridges into the magazine (Figure C) and allow them to slide down toward the action.



DO NOT ALLOW THE FOLLOWER TO SLAM DOWN ON TO LOADED CARTRIDGES and DO NOT place any part of your hand over the muzzle while loading.

Reinstall the inner magazine tube until it is fully seated and twist to lock, taking care as the inner magazine tube is now under spring tension. The rifle is now ready for operation.

It is suggested that you do NOT dry fire this rifle. Repeated dry firing of a rimfire can eventuallypeen the edge of the chamber, making it difficult to load and extract cartridges.

**DO NOT EXCEED THE CAPACITY OF THE MAGAZINE (SEE SPEC PAGE FOR CAPACITY FOR EACH MODEL).**

## HOW TO OPERATE YOUR HENRY LEVER ACTION RIFLE

The rifle chamber can now be loaded by swinging the lever down completely and pulling it back to a closed position in a nice, quick fluid motion.

**Important:** The rifle is now loaded and ready to fire. The hammer has been moved from the Safety position to the Full-Cock position. Always place the hammer back into the Safety position until you are ready to fire. When ready to fire, take the hammer from the Safety position. Remove your finger from the trigger, firmly gripping the hammer with your thumb, and draw the hammer back into Full-Cock position.

You are now ready to fire. Take aim, make certain that you are firing in a safe environment that neither you nor any other person is in danger and when on target, squeeze the trigger.

To chamber the next round, swing the lever down completely and pull it back to the closed position. This process will eject the fired cartridge case from the chamber and transfer a new cartridge from the magazine to the chamber. Important: This leaves the hammer in a full-cocked, ready to fire position. If you are not ready to fire, carefully return the hammer to the Safety position.

When finished firing, always place the hammer in the Safety position. Always unload your gun when you have finished shooting, making certain that the magazine and chamber are empty, before putting your gun away.

## HOW TO UNLOAD THE MAGAZINE AND CHAMBER OF YOUR HENRY LEVER ACTION RIFLE

To unload the magazine the hammer should be resting in the Safety position. With the rifle pointing upward or in a safe direction, completely withdraw the inner magazine tube from the gun. Tip the rifle downward, allowing the cartridges to slide out into a suitable container. Replace the inner magazine tube. Very carefully, open the

---

action to eject the chambered round, if any.

Cycle the action multiple times to be positive that no live rounds remain in the rifle. Visually inspect the chamber to ensure the rifle is unloaded.

## **SIGHTS AND SIGHT ADJUSTMENTS**

Your H001 Lever Action Rifle is equipped with an adjustable rear sight, a Peep sight or a Fiber Optic Sight. The rear sight is adjustable for elevation (shooting high and low) and for windage (shooting left and right). Follow your specific sight instructions for more detailed adjustment information.

### **ADJUSTING A PEEP SIGHT**

Loosen the two screws on the top of the base in front of the peep aperture. This will allow you to move the sight base. Tighten the two screws when complete.

### **HIGH OR LOW (ELEVATION ADJUSTMENT)**

In order to shoot higher, you need to raise the rear sight. In order to shoot lower, you need to lower the rear sight. Re-tighten the screw.

### **LEFT OR RIGHT (WINDAGE ADJUSTMENT)**

To adjust your rifle for windage (left/right), we suggest that you move the rear sight to the left or right as desired. Loosen appropriate screw prior to attempting adjustment. To adjust your rifle for windage use a plastic mallet, or a hammer and a brass wedge to tap it in the direction you want your shots to print. For example: if you are shooting to the left, you need to tap the sight over to the right to correct the point of impact. Conversely, if you are shooting to the right then you will need to tap the rear sight over to the left.

## **MALFUNCTION AND TROUBLESHOOTING**

**NEVER USE YOUR FIREARM IF IT FAILS TO FUNCTION PROPERLY, AND NEVER FORCE A JAMMED ACTION.** Forcing the action could make the round explode, causing serious injury, possible death, or severe damage to your firearm or other property.

**FAILURE TO FIRE.** A misfire occurs when the firing pin strikes the primer and it does not fire. **IF THE FIREARM FAILS TO FIRE DO NOT PUT IT DOWN OR OPEN THE ACTION. ALWAYS HOLD THE FIREARM, KEEPING IT POINTED IN A SAFE DIRECTION AND WAIT 30 SECONDS. IF A HANGFIRE (SLOW IGNITION) HAS OCCURRED, THE ROUND WILL FIRE WITHIN 30 SECONDS.**

If the round does not fire, remove the



---

ammunition, eject the round and examine the shell. If the firing pin indent on the primer is light or non-existent, have the firearm examined by a competent gunsmith before firing again. If the firing pin indent on the primer appears normal (in comparison with similar previously fired rounds) assume you have faulty ammunition. Segregate the misfired round from other live ammunition and empty cases, reload, and carry on firing.

**FAILURE TO EXTRACT (FTE).** This is when the firearm discharges the round and fails to extract the spent round from the chamber. This could happen because of a bad extractor or bad/damaged casings.

**FAILURE TO FEED (FTF).** This is simply when the firearm fails to feed another round into the chamber. Put the lever in the open position and clear the ejection port.

**NOTE:** The ejection port should face the ground; this will allow the round to easily fall out (gravity is your friend here). This will work for both left and right handed shooters.

## CLEANING, STORAGE AND MAINTENANCE

### CLEANING SAFETY PRECAUTIONS

**WARNING:** BEFORE PERFORMING CLEANING PROCEDURES, MAKE SURE THE HAMMER IS IN THE FIRED-DOWN POSITION, WHICH ALLOWS YOUR SAFETY TO FUNCTION AS DESIGNED. OPEN THE ACTION AND MAKE CERTAIN YOUR FIREARM IS COMPLETELY UNLOADED. KEEP THE MUZZLE POINTED IN A SAFE DIRECTION. FAILURE TO FOLLOW THESE WARNINGS COULD RESULT IN SERIOUS INJURY OR DEATH.

KEEP ALL AMMUNITION AWAY FROM THE CLEANING AREA. NEVER TEST THE MECHANICAL FUNCTION OF YOUR RIFLE WITH LIVE AMMUNITION. FAILURE TO FOLLOW THESE WARNINGS COULD RESULT IN SERIOUS INJURY OR DEATH.

**NOTICE!** It is very important that the bore of your rifle be cleaned thoroughly and promptly after shooting. Do not leave discharged (empty) cases in the chambers for any length of time, as the chemical composition of many cartridges contain moisture which can “sweat” out of the shell and onto the chambers’ surfaces, and possibly cause corrosion and rust.

### HOW TO CLEAN YOUR HENRY RIFLE

WE SUGGEST THAT YOU USE A MILD SOLVENT FROM A WELL-KNOWN BRAND. FOR CONVENIENCE, COMPATIBLE CLEANING SOLVENTS ARE AVAILABLE ON [WWW.HENRYPRIDE.COM](http://WWW.HENRYPRIDE.COM).

Regular cleaning is important in order for your gun to operate efficiently and safely. Taking proper care of it will also maintain its value and extend its life.

**NOTICE!** DO NOT ATTEMPT TO TAKE YOUR FIREARM APART FURTHER THAN EXPLAINED IN THIS MANUAL. Your firearm is a specialized, finely fitted mechanism. You may permanently damage it by attempting to disassemble the inner mechanisms. If further disassembly for service or cleaning is required, take your firearm to a qualified gunsmith.

**IMPORTANT** - PLEASE NOTE THAT IT IS NOT NECESSARY TO TAKE YOUR HENRY LEVER ACTION APART TO KEEP IT CLEAN. SHOULD YOU WISH TO TAKE IT APART, UNSCREW THE RECEIVER COVER TANG SCREW (PART

---

#50 AND PART #55) AND REMOVE THE BUTTSTOCK FIRST. THEN UNSCREW THE FOUR RECEIVER COVER SCREWS (PART #42) AND LIFT OFF THE RECEIVER COVER WHICH WILL EXPOSE THE INTERNAL PARTS.

**IMPORTANT** - DO NOT USE AGGRESSIVE SOLVENTS.

Your gun should be cleaned every time it is used. A minimum cleaning includes wiping down the action and oiling key parts. Regular maintenance will also include cleaning the barrel.

For cleaning, we suggest that you first open the action by cycling the lever forward. Inspect the chamber and bore for brass, copper and powder fouling. A normal amount of powder residue can be expected and is not serious. It can usually be removed by the following procedure.

**WHENEVER POSSIBLE, CLEAN THE BORE IN THE DIRECTION OF BULLET TRAVEL.** When you fire your gun, powder residue is deposited into the barrel bore. Improperly cleaning from muzzle to breech will cause this powder residue to be carried from the bore into the chamber and action, causing fouling of intricate parts and warranting more thorough cleaning by a qualified gunsmith. To properly clean from breech to muzzle, use a pull-through cleaning kit, such as those available on [www.henrypride.com](http://www.henrypride.com). If desired, a cleaning rod and patches may be used, but care must be taken to avoid damaging the muzzle crown as well as depositing fouling into action.

**NOTE: USE A CLEAN PATCH EACH TIME YOU GO DOWN THE BARREL.**

**NEVER GO BACK AND FORTH REVERSING THE BRUSH.** This will bend the bristles on the brush. This is the equivalent of bending a wire back and forth until it breaks.

**USE ONLY A FEW DROPS OF SOLVENT/LUBRICANT OIL.** Use only the amount of solvent that the patch will absorb. If you use too much, the solvent or oil will drip down into the trigger mechanism; this will cause a gummy trigger. If you use too much oil, it will drain back toward the stock and could cause premature failure of the wood.

**NEVER RUN A BRUSH IN THE BARREL FIRST.** This will damage the firearm. The brush will pick up dirt, moisture or powder residue and deposit it into the chamber or receiver. Never dip a brush in solvent. The solvent at the brush core will collect dirt and drop it into the receiver and chamber. Remember - Rust is neglect. Make sure all exposed metal surfaces are coated with a film of oil. After being subjected to damp weather, thoroughly wipe the bore and metal surfaces. Then apply a new film of oil. If exposed to a soaking rain, snow or salt spray, a more thorough cleaning and oiling may be necessary.

Wipe the bolt clean of any debris with solvent and a patch or small rag. Lightly oil bolt.

A gun brought out of prolonged storage should also be cleaned before shooting. Accumulated moisture and dirt, or solidified grease and oil, can prevent the gun from operating properly. We recommend the use of pull through cleaning kits or cleaning with a rod type kit. Overtime, depending on the amount of use and how it is stored, we do recommend that you take your Henry to a gunsmith to have it inspected at which time it can also be cleaned more thoroughly.

---

## MAINTENANCE BEFORE STORAGE

When storing your firearm, do not encase it in anything that will attract or hold moisture, for example, leather or heavy cloth. Also, do not store firearms with a plug inserted in the barrel because this can be a contributing factor to moisture accumulation.

If your firearm is to be stored for an extended period, the bore, chamber and internal surfaces should be oiled with a high-quality lubricating oil or preservative intended for firearms. The external parts; receiver, bolt and barrel should be coated with an anti-rust oil.

Before using your firearm again, be sure to clean it. Every time you clean your firearm, check it for signs of wear. If wear is noted, do not use the firearm, have it checked by a qualified gunsmith.

Make sure your firearm is in good mechanical condition before firing it. Periodically have your firearm checked for signs of erosion, cracking, or wear by the factory or a factory certified gunsmith.

## STORAGE SAFETY AND PRECAUTIONS

**NEVER LOCK A LOADED FIREARM AND NEVER LOAD A LOCKED FIREARM!**

**ALWAYS CHECK TO MAKE SURE YOUR FIREARM IS NOT LOADED BEFORE CLEANING, STORING, TRANSPORTING IT, LAYING IT DOWN, OR HANDING IT TO ANOTHER PERSON** so that it cannot be fired when it is unsafe to do so.

**ALWAYS KEEP AND STORE YOUR FIREARM AND AMMUNITION IN SEPARATE, LOCKED LOCATIONS, OUT OF REACH AND SIGHT OF CHILDREN AND UNTRAINED PERSONS.** Safe and secure storage of your firearm and ammunition are your responsibility.

**NEVER LEAVE THE KEY TO THE LOCK FOR YOUR FIREARM WITH THE STORED FIREARM!**

**NEVER ASSUME THAT A "HIDING" PLACE IS A SECURE STORAGE METHOD.** Others may be aware of your storage location or come upon it by chance. It is your personal responsibility to use common sense when storing your firearm and ammunition and to always make sure they are not accessible to children or other unauthorized persons.

**NOTE:** Do not store your firearm in an air-tight container, and do not seal or attempt to seal the barrel to exclude dust, as the internal steel surface is more likely to rust or corrode by doing this.

**BEWARE OF BARREL OBSTRUCTIONS.** Be sure the barrel is clear of obstructions before shooting. Mud, water, snow or other objects may inadvertently lodge in the barrel bore. A small obstruction can cause a dangerous increase in pressure and may damage your firearm and cause injury to yourself and others.

**BEFORE CHECKING FOR A BARREL OBSTRUCTION, BE CERTAIN YOUR FIREARM IS COMPLETELY UNLOADED.** After assuring yourself that the firearm is completely unloaded, open the action and look through the barrel to be sure it is clear of obstructions. If an obstruction is seen, no matter how small it may be, clean the bore with a cleaning cord or a patch as described in the **CLEANING** section of this owner's manual.

**BE SURE ALL ACCESSORIES, SUCH AS SLINGS, SCOPES AND OTHER ACCESSORIES ARE COMPATIBLE WITH YOUR PARTICULAR FIREARM AND THAT THE ACCESSORIES DO NOT INTERFERE WITH ITS SAFE OPERATION.**

It is your responsibility to understand and follow all of the instructions in the safety manual that accompanied

---

your firearm, as well as those which may be supplied with your ammunition and any accessory.

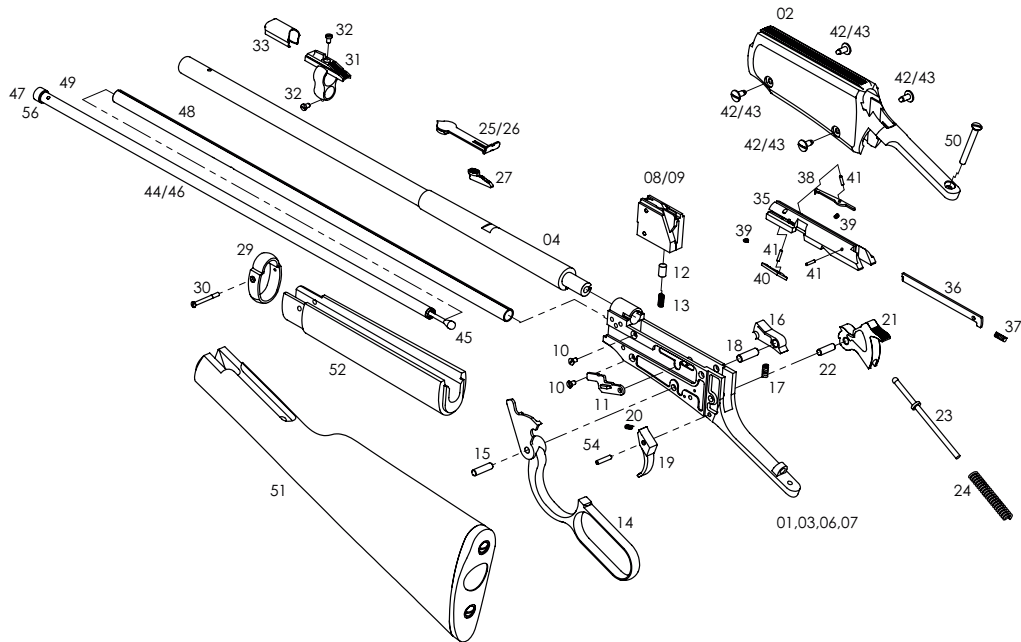
**NEVER DISASSEMBLE YOUR FIREARM BEYOND THE FIELD STRIPPING PROCEDURE OUTLINED IN THIS MANUAL.** Improper disassembly or reassembly of your firearm may be dangerous and can lead to serious injury or death.

**NEVER MANIPULATE, ADJUST OR CHANGE ANY OF THE INTERNAL COMPONENTS OF YOUR FIREARM UNLESS SPECIFICALLY INSTRUCTED TO DO SO IN THIS MANUAL.** Improper manipulation of any other internal component may affect the safety and reliability of your firearm and may cause serious injury or death.

**NEVER ALLOW ANY ALTERATION OR REPLACEMENT OF PARTS IN YOUR FIREARM UNLESS PERFORMED BY A QUALIFIED GUNSMITH USING AUTHORIZED PARTS.** If you do otherwise, improper functioning of your firearm may occur and serious injury or death and damage to property may result.



## ILLUSTRATION OF PARTS



## LIST OF PARTS

<b>01</b>	Receiver	<b>15</b>	Lever Pin	<b>29</b>	Barrel Band	<b>42</b>	Cover Screw
<b>02</b>	Cover	<b>16</b>	Lock Bar	<b>30</b>	Barrel Band Screw	<b>44</b>	Inner Mag Tube
<b>03</b>	Carrier Axle	<b>17</b>	Locking Bar Spring	<b>31</b>	Front Sight	<b>45</b>	Magazine Spring Guide
<b>04</b>	Barrel	<b>18</b>	Locking Bar Pin	<b>31S</b>	Front Sight Screws	<b>46</b>	Magazine Spring
<b>06</b>	Cylinder Pin	<b>19</b>	Trigger	<b>33</b>	Sight Cover	<b>47</b>	Magazine Button
<b>07</b>	Taper Pin	<b>20</b>	Trigger Spring	<b>35</b>	Bolt	<b>48</b>	Outer Tube
<b>08/09</b>	Carrier	<b>21</b>	Hammer	<b>36</b>	Firing Pin	<b>49</b>	Notch Pin
<b>10</b>	Carrier Screw	<b>22</b>	Hammer Pin	<b>37</b>	Firing Pin Spring	<b>50</b>	Stock Screw
<b>11</b>	Carrier Feed Lever	<b>23</b>	Hammer Guide	<b>38</b>	Extractor	<b>51</b>	Buttstock Assembly
<b>12</b>	Carrier Tube	<b>24</b>	Hammer Spring	<b>39</b>	Spring	<b>52</b>	Fore End
<b>13</b>	Carrier Spring	<b>25/26</b>	Rear Sight	<b>40</b>	Ejector	<b>54</b>	Trigger Pin
<b>14</b>	Lever	<b>27</b>	Rear Sight Elevator	<b>41</b>	Ejector Pin		

**WARNING:** This product can expose you to chemicals including lead, which is known to the State of California to cause cancer and birth defects or other reproductive harm. For more information go to [www.P65Warnings.ca.gov/product](http://www.P65Warnings.ca.gov/product).

---

## PARTS

An illustration and list of part names are included in this manual. Please note that not all parts are available for sale. Those parts which are available should be installed by a licensed gunsmith. When ordering parts, please give part name and part number.

**Important:** If you make unauthorized adjustments or use unauthorized parts, Henry Repeating Arms Company will not assume responsibility for the proper functioning of the shotgun.

THIS GUN IS MANUFACTURED TO PERFORM PROPERLY WITH THE ORIGINAL PARTS AS DESIGNED. IT IS YOUR DUTY TO MAKE SURE ANY PARTS YOU BUY ARE INSTALLED CORRECTLY AND THAT NEITHER REPLACEMENTS NOR ORIGINALS ARE ALTERED OR CHANGED. THIS IS WHY WE SAY TAKE IT TO A LICENSED GUNSMITH STATION. YOUR GUN IS A COMPLEX TOOL WITH MANY PARTS THAT MUST RELATE CORRECTLY TO OTHER PARTS. PUTTING A GUN TOGETHER WRONG OR WITH MODIFIED PARTS CAN RESULT IN A DAMAGED GUN, DANGER, AND INJURY OR DEATH TO YOU AND OTHERS THROUGH MALFUNCTION. ALWAYS LET A QUALIFIED GUNSMITH WORK ON YOUR GUN AND CHECK ANY WORK YOU THINK WAS NOT PERFORMED BY A GUNSMITH.

## SERVICING AND REPAIR

If you believe that your Henry firearm requires repair or adjustment, we suggest that you first contact our Customer Service by visiting the "Contact Us" page on our website, or by phone at 201.858.4400. It may be a problem that we can resolve by phone or by sending a replacement part. For international customers please visit the "Contact Us" page on our website for instructions.

In the unlikely event that your firearm requires adjustments or repair, please make certain that it is unloaded and send it to us at the following address:

HRAC

**Att: Repair Dept.**

59 East 1st Street

Bayonne, New Jersey 07002

Enclose an explanation of the problem in as much detail as possible. Make certain to include your complete name, address, phone number and serial number. Make sure your firearm is packaged to prevent it from being damaged. The package should be insured to protect against LOSS OR THEFT.

DO NOT INCLUDE "HENRY REPEATING ARMS" IN THE ADDRESS ON THE PACKAGE, IN ORDER TO PREVENT AN INQUISITIVE THIEF FROM BEING ATTRACTED TO IT BY SUCH INFORMATION.

YOU CAN USE THE ORIGINAL BOX FOR RETURN, HOWEVER, YOU SHOULD MAKE SURE IT IS WRAPPED IN A BROWN OR OTHER COLORED PAPER AS TO NOT INDICATE THAT THE BOX CONTAINS A FIREARM. THIS HELPS TO MAINTAIN THE CONFIDENTIALITY OF YOUR RIFLE TO ENSURE IT GETS BACK TO US SAFELY.

## NEW PRODUCTS FROM HENRY

Henry Repeating Arms Company will endeavor to introduce and manufacture other fine firearms, all made in America, of high quality and at affordable prices.

Telephone: **201-858-4400** • Fax: **201-858-4435** • Website: **www.henryusa.com**

---

## SOCIALIZE WITH HENRY AND HENRY OWNERS

Keep up to date with new inventions and products from Henry as well as meet other Henry owners around the country by joining the conversation and liking our social media accounts:



[www.facebook.com/henryrepeating](http://www.facebook.com/henryrepeating)



@Henry\_Rifles



@HenryRifles



[www.youtube.com/c/HenryriflesUSA](http://www.youtube.com/c/HenryriflesUSA)

Be the first to know about new products and events by subscribing to our e-mail list: [www.henryusa.com/maillinglist](http://www.henryusa.com/maillinglist)

## HENRY CUSTOMER PHOTOS

You may already be famous, but if not, we invite you to send a photo with your Henry for a possible website appearance to: [info@henryusa.com](mailto:info@henryusa.com)

## HENRY ACCESSORIES

Made in America, just like our rifles! Find apparel, slings, scope mounts, gun cases, display cases and more at [www.henrypride.com](http://www.henrypride.com)

# History and Thank You



**Benjamin Tyler Henry.**  
His invention: The Henry Rifle.

Thank you for purchasing your new Henry Firearm. We are proud to have crafted this firearm for you in the great tradition of the Henry Repeating Rifle which dates back to 1860 when the first effective, lever-action repeating rifle was developed by Benjamin Tyler Henry. The lever action is America's unique contribution to international firearms design; We go to great lengths to provide the highest quality of design and craftsmanship for each and every one of our American-Made firearms. You are now a part of the Henry family, and we are thankful to have your support. Your new Shotgun should provide you and your family with many years of safe enjoyment and pride of ownership.

It is imperative that these cautions and operating instructions be thoroughly studied and understood before using your new firearm, in order to ensure proper and safe gun handling. Failure to follow these cautions, warnings and operating instructions could result in damage to your gun or to other property or could result in injury or death to yourself or to others.