



# HENRY<sup>®</sup>

Made in America, Or Not Made At All

## The Original Henry Caliber .44-40 WCF

*Instruction Manual*



**Important:**

Study this instruction manual  
carefully before you handle this firearm.



Made in America, Or Not Made At All

IS A REGISTERED TRADEMARK  
OF THE HENRY REPEATING ARMS COMPANY

TEL. **201-858-4400** | FAX. **201-858-4435**

EMAIL. [info@henryrepeating.com](mailto:info@henryrepeating.com)

WEBSITE. [www.henryrepeating.com](http://www.henryrepeating.com)

Made in America



**WARNING: BEFORE USING FIREARM, READ AND FOLLOW THESE INSTRUCTIONS.**

If there is anything you do not understand,  
get help from someone qualified to teach the safe handling of firearms.

# Welcome and Introduction

## Welcome and Introduction



**Benjamin Tyler Henry.**  
His invention: The Henry Rifle.

Thank you for purchasing your new Henry Lever Action Rifle. We are proud to have crafted this rifle for you in the great tradition of Henry Repeating Arms Company which dates back to 1860 when the first effective, lever-action repeating rifle was developed by our founder, Benjamin Tyler Henry. We go to great efforts to provide the highest quality of design, craftsmanship, manufacture and function that was established over 140 years ago. Your new Lever Action Rifle should provide you and your family with many years of safe enjoyment and pride of ownership.

It is imperative that the following cautions and operating instructions be thoroughly studied and understood before using your new rifle, in order to insure proper and safe gun handling. Failure to follow these cautions, warnings and operating instructions could result in damage to your gun or to other property or could result in injury or death to yourself or to others.

### **IMPORTANT**

Before it left the factory this firearm was tested, carefully inspected and packaged. Henry RAC cannot control product handling after it leaves the factory. Therefore, please examine this firearm carefully at the time of purchase to insure that it is unloaded and undamaged. The dealer will be pleased to assist you in making this examination and will endeavor to answer any questions you may have.

This instruction manual should always accompany this firearm. When you lend, give or sell this firearm, be sure this manual goes with it.

### **SIMPLE LIMITED LIFETIME WARRANTY**

Henry Repeating Arms Company stands behind its products as it has historically. We offer a simple limited lifetime warranty. If you have a problem with a Henry rifle, and it is our fault, we will fix it at any time, and at no charge. The warranty does not cover excessive wear and tear to parts, or accidental damage to parts.

### **NOTICE**

Henry RAC shall not be responsible for injury, death, or damage to property resulting from either intentional or accidental discharge of this firearm, or from its function when used for purposes or subjected to treatment for which it was not designed. Henry RAC will not honor claims involving this firearm which result from careless or improper handling, unauthorized adjustment or parts replacement, corrosion, neglect, or the use of wrong caliber ammunition, or the use of ammunition other than original, high quality, commercially manufactured ammunition in good condition, or any combination thereof. Henry RAC will not honor claims involving this firearm for any reason or cause when such claims are made by the second or subsequent owner.

Whether or not you are experienced in the safe handling of firearms, we urge you to read this entire instruction manual carefully. You must follow the safety instructions for your safety and the safety of others. Should you have any questions concerning the instructions in this manual, please call us at 201-858-4400.

**WARNING:** If you have little or no experience in the safe handling and operation of a firearm, we strongly urge you to take a firearms safety course from an NRA Certified Instructor or from someone with equivalent qualifications prior to using this or any other firearm. You can contact the NRA Firearms Education and Safety Division at 703-267-1470 for the name of an instructor in your area.

## Table of Contents

Warranty .....	3
Handling Cautions .....	4
Shooting Cautions .....	5
Cleaning Cautions .....	6
Storage .....	6
<b>Operating Instructions</b>	
How To Load Your Henry .....	7
How To Unload Your Henry .....	8
How To Clean Your Henry .....	8
Maintenance .....	8
Parts .....	9

---

## CAUTIONS:

### GENERAL HANDLING CAUTIONS

1. ALWAYS HANDLE YOUR FIREARM AS IF IT WERE LOADED so that you never fire it accidentally when you think it is unloaded.
2. NEVER POINT YOUR FIREARM AT ANYTHING YOU DO NOT INTEND TO SHOOT so that if it fires accidentally, injury, death, or damage to property will be avoided.
3. NEVER TAKE ANYONE'S WORD THAT A GUN IS UNLOADED. Check for yourself with fingers off the trigger and gun pointed in a safe direction so that you never fire the gun accidentally when you think it is unloaded.
4. ALWAYS CHECK TO MAKE SURE YOUR FIREARM IS NOT LOADED WHEN HANDING IT TO ANOTHER PERSON.
5. ALWAYS KEEP AND CARRY YOUR FIREARM EMPTY WITH THE HAMMER IN THE "SAFE" POSITION except when you intend to shoot, so that your firearm cannot be fired when you do not intend to fire it.
6. ALWAYS BE AWARE OF POSSIBLE RISK FROM DROPPING YOUR FIREARM. Some parts of the mechanism could be damaged. You may not see the damage, but it is severe. The firearm may discharge and cause injury, death, or damage to property. If your firearm has been dropped, have it examined by a competent gunsmith before using it again.
7. NEVER LEAVE A FIREARM COCKED AND READY TO FIRE, as this condition is extremely dangerous and the firearm could easily be accidentally discharged, causing injury, death, or damage to property.
8. NEVER LEAVE A LOADED FIREARM UNATTENDED. Someone, especially a child, may fire it and cause injury, death, or damage to property.
9. ALWAYS INSTRUCT CHILDREN TO RESPECT FIREARMS. If you teach your children to shoot or get them trained by a qualified instructor, be certain they know how to use the firearm properly and always supervise them closely. Always stress safety so that your children will not fire a rifle when or where it is unsafe to do so.

### RANGE CAUTIONS

10. Always be sure your backstop is adequate to stop and contain bullets before beginning target practice so that you do not hit anything outside the range shooting area. Think! What will you HIT if you Miss the target?
11. ALWAYS PUT A KNOWLEDGEABLE AND RESPONSIBLE PERSON IN CHARGE TO MAINTAIN SAFETY CONTROL WHEN A GROUP IS FIRING ON A RANGE. Obey his commands so that discipline is maintained to reduce the possibility of accidents.
12. ALWAYS CARRY YOUR FIREARM EMPTY WITH THE ACTION OPEN WHILE ON A RANGE until preparing to fire and keep it pointing towards the backstop when loading, firing, and unloading to eliminate the risk of injury, death or damage to property.

---

## LOADING/UNLOADING CAUTIONS

13. ALWAYS BE SURE BARREL, BORE, CHAMBER, AND ACTION ARE CLEAN AND CLEAR OF OBSTRUCTIONS. Clean a fouled firearm immediately so that it will function correctly and safely.
14. ALWAYS USE ONLY CLEAN, DRY, HIGH-QUALITY, COMMERCIALY MANUFACTURED AMMUNITION IN GOOD CONDITION AND APPROPRIATE TO THE CALIBER OF YOUR FIREARM. Gun and ammunition manufacturers design their products within exacting engineering safety limits. Handloads and remanufactured ammunition are sometimes outside those limits and could blow up the chamber, bolt and receiver of any firearm and cause injury, death or damage to property.

## SHOOTING CAUTIONS

15. NEVER DRINK ALCOHOLIC BEVERAGES OR TAKE DRUGS BEFORE OR DURING SHOOTING as your vision, coordination, and judgement could be seriously impaired, making your gun handling unsafe.
16. ALWAYS SEEK A DOCTOR'S ADVICE IF YOU ARE TAKING MEDICATION to be sure you are fit to shoot and handle your firearm safely.
17. ALWAYS WEAR AND ENCOURAGE OTHERS TO WEAR EAR PROTECTION WHEN SHOOTING, especially on a range. Without ear protection, the noise of even one shot from your rifle and from other guns close to you could leave a "ringing" in the ears for some time after firing and the cumulative long term effect could be permanent hearing loss.
18. ALWAYS WEAR AND ENCOURAGE OTHERS TO WEAR PROTECTIVE SHOOTING GLASSES. Flying particles could damage eyes and cause blindness. Protective shooting glasses can prevent such an injury.
19. ALWAYS KEEP THE HAMMER IN THE "SAFE" POSITION UNTIL YOU ARE READY TO FIRE. This will minimize the risk of an accidental discharge.
20. ALWAYS KEEP CLEAR AND KEEP OTHERS CLEAR OF THE EJECTION PORT. Spent cartridges are ejected with enough force to cause injury. The ejection port must also be unobstructed by your hand to insure safe ejection of spent rounds. Never place fingers in ejection port - they could be burned by hot metal or injured by the bolt moving forward.
21. NEVER PUT YOUR FINGER INSIDE THE TRIGGER GUARD UNTIL YOU ARE AIMING AT A TARGET AND READY TO SHOOT. This will prevent you from firing the firearm when it is pointing in an unsafe direction.
22. ALWAYS BE ABSOLUTELY SURE OF YOUR TARGET AND THE AREA BEHIND IT BEFORE YOU SQUEEZE THE TRIGGER. A bullet could travel through or past your target for up to 1½ miles. If in doubt, don't shoot! Think! What will you HIT if you MISS the target?
23. NEVER SHOOT AT A HARD SURFACE SUCH AS ROCK OR A LIQUID SURFACE SUCH AS WATER. A bullet may ricochet and travel in any direction to strike you or an object you cannot see, causing injury, death or damage to property.
24. NEVER DISCHARGE A FIREARM NEAR FLAMMABLE MATERIAL. Flame and sparks erupt from the firearm when discharged. They could start a fire or cause flammable liquids and gasses to explode.
25. NEVER FIRE YOUR FIREARM NEAR AN ANIMAL unless it is trained to accept the noise - an animal's startled reaction could injure it or cause an accident.
26. NEVER INDULGE IN "HORSEPLAY" WHILE HANDLING YOUR FIREARM because doing so could cause an accidental discharge.

---

27. NEVER WALK, CLIMB, OR FOLLOW A COMPANION WITH YOUR FIREARM COCKED AND READY TO FIRE to eliminate risk of accidental discharge. When hunting, hold your firearm so that you can always control the direction of the muzzle.

## **MALFUNCTION CAUTIONS**

28. **FAILURE TO FIRE:** IF THE FIREARM FAILS TO FIRE DO NOT PUT IT DOWN OR OPEN THE ACTION. ALWAYS HOLD THE FIREARM, KEEPING IT POINTED IN A SAFE DIRECTION AND WAIT 30 SECONDS. IF A HANGFIRE (SLOW IGNITION) HAS OCCURRED, THE ROUND WILL FIRE WITHIN 30 SECONDS. If the round does not fire, remove the ammunition, eject the round and examine the cartridge. If the firing pin indent on the rim is light or non-existent, have the firearm examined by a competent gunsmith before firing again. If the firing pin indent on the rim appears normal (in comparison with similar previously fired rounds) assume you have faulty ammunition. Segregate the misfired round from other live firearm ammunition and empty cases, reload, and carry on firing.

**Note:** Dispose of misfired rounds in accordance with ammunition manufacturer's instructions.

29. NEVER USE YOUR FIREARM IF IT FAILS TO FUNCTION PROPERLY, AND NEVER FORCE A JAMMED ACTION. Forcing the action could make the round explode, causing serious injury, possible death, or severe damage to your firearm or other property.

## **CLEANING AND STORAGE CAUTIONS**

30. ALWAYS CHECK TO MAKE SURE YOUR FIREARM IS NOT LOADED BEFORE CLEANING, STORING, TRAVELING, LAYING IT DOWN, OR HANDING IT TO ANOTHER PERSON so that it cannot be fired when it is unsafe to do so.

31. ALWAYS KEEP AND STORE YOUR FIREARM AND AMMUNITION IN SEPARATE, LOCKED LOCATIONS, OUT OF REACH AND SIGHT OF CHILDREN AND UNTRAINED PEOPLE to minimize the risk of rifle and ammunition being easily available for loading and firing by unauthorized persons.

## **STORAGE**

**CAUTION:** ALWAYS UNLOAD YOUR FIREARM FOR STORAGE AND STORE AMMUNITION SEPARATELY. Keep and store your firearm and ammunition securely locked and in separate locations out of reach and sight of children. Children are naturally curious and do not always understand the real danger of guns.

**NOTE:** Do not store your firearm in an air-tight container, and do not seal or attempt to seal the barrel to exclude dust, as the internal steel surface is more likely to rust or corrode by doing this.

**WARNING:** When you squeeze the trigger, you must expect the gun to fire and you must take full responsibility for firing it. Your care can avoid accidental discharge and you will thereby avoid accidental injury, death and property damage.

**WARNING:** DISCHARGING FIREARMS IN POORLY VENTILATED AREAS, CLEANING FIREARMS OR HANDLING AMMUNITION MAY RESULT IN EXPOSURE TO LEAD, A SUBSTANCE KNOWN TO CAUSE BIRTH DEFECTS,



REPRODUCTIVE HARM AND OTHER SERIOUS PHYSICAL INJURY. HAVE ADEQUATE VENTILATION AT ALL TIMES. WASH HANDS THOROUGHLY AFTER EXPOSURE.

## AMMUNITION SELECTION

Henry RAC Firearms are designed to function with a variety of brands and types of factory-manufactured ammunition in the appropriate caliber but not all ammunition produces the same result. Henry RAC recommends that after you read and understand this manual, you go to the range and fire different ammunition which is appropriate to the caliber of your firearm. Once you find the ammunition which functions best, keep using it. Especially when cutting-edge reliability and accuracy are vital to you. When sighting your rifle, shoot a group to determine point of impact on the target. Then make incremental adjustments to center the point of impact on the target bullseye.

### OPERATING INSTRUCTIONS FOR YOUR ORIGINAL HENRY RIFLE



#### HOW TO LOAD YOUR ORIGINAL HENRY RIFLE

Prior to loading your rifle, make certain that it is not already loaded. Point the muzzle in a safe direction, swing the lever down, and pull it back. If a cartridge ejects, proceed with directions on how to unload the magazine tube and empty the chamber. We recommend that you always load a completely unloaded firearm, and clear the firearm of any cartridges prior to loading. Assuming that you are now operating an unloaded firearm, make certain that the barrel, receiver and chamber are free from any obstruction.

#### HOW TO LOAD

**[Step 1]** Turn the lever locking latch to the release position. Releasing the latch should allow the lever to go down approximately 1/2". Do not push the loading lever forward.

**[Step 2]** First make sure the loading lever is fully forward. Then load the tubular magazine by pushing the brass magazine follower fully forward until the engagement indicator just below the muzzle rises approximately 1/16th of an inch.

**[Step 3]** Place your hand on the sleeve with thumb grasping the brass follower. Rotate the barrel sleeve back into the closed position and with thumb slowly allow follower to return downwards. DO NOT allow the follower to slam down onto loaded cartridges, and DO NOT place any part of your hand over the muzzle while loading

**[Step 4]** When you are ready to actually fire the firearm, the loading lever is pushed forward as far as it will go and is then pulled straight back. Your finger should NOT TOUCH THE TRIGGER while manipulating the loading lever.

The rifle will now be fully cocked and will fire when the trigger is pulled. If the lever does not go forward, release the loading lever latch by turning the small knob perpendicular to the rifle.

**[Step 5]** After you have fired the first shot, the next cartridge is loaded by repeating step 4.

## HOW TO UNLOAD THE MAGAZINE AND CHAMBER OF YOUR ORIGINAL HENRY RIFLE

**[Step 6]** With the firearm pointed in a safe direction, place your fingers through the rear portion of the loading lever. Be sure your first and second fingers are inside the lever loop. DO NOT TOUCH THE TRIGGER, depressing or touching the trigger, even when the lever is fully open or partially closed, may cause the gun to accidentally discharge and cause serious injury or death to anyone in the line of fire of the Rifle. Then push the lever straight backwards and then pull the loading lever forward again. The cartridge that was in the chamber should now be automatically ejected

**[Step 7]** Repeat step 6 until all cartridges have been ejected from the firearm. After all cartridges have been ejected, Cycle the action four or five more times as described in step 6 as an added precaution to assure that all rounds were ejected.

**[Step 8]** After step 7, move the loading lever to the forward position while visually inspecting both the chamber and the carrier block, to confirm that no cartridges are still in the firearm

**[Step 9]** Pull the loading lever to the rear and, with your thumb on the hammer, pull the trigger; with your thumb allow the hammer to slowly lower.

## HOW TO CLEAN YOUR ORIGINAL HENRY RIFLE

*You do not have to disassemble this rifle in order to clean it sufficiently and to keep it operating properly.*

We strongly recommend the use of a pull through cleaning kit which will allow cleaning of the bore from the chamber end without disassembly. Use birchwood casey gunscrubber or similar product to clean action without disassembly.

## MAINTENANCE

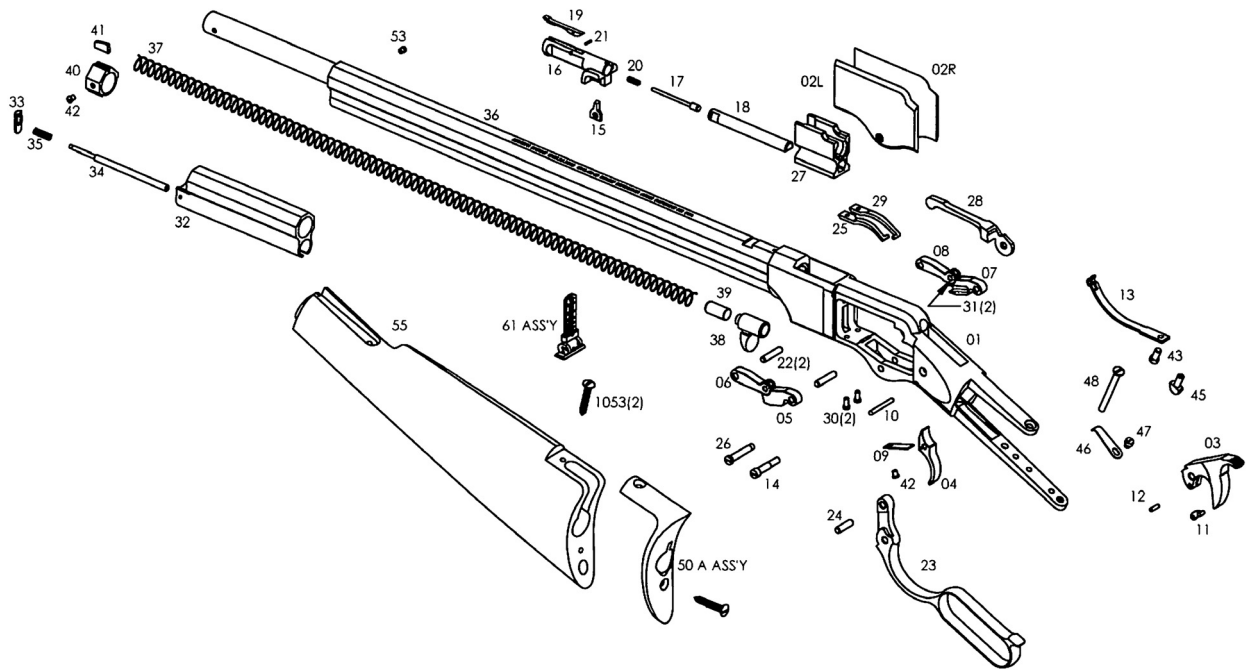
1. Be sure that your gun is unloaded before attempting to clean.
2. The gun owner is responsible for periodic inspection and proper maintenance by a qualified gunsmith to ensure that this firearm remains in proper adjustment and that worn parts are replaced.
3. **CLEANING WARNING: Remember** - Rust is neglect - Make sure all exposed metal surfaces are coated with a film of oil. After being subjected to damp weather, thoroughly wipe the bore and metal surfaces. Then apply a new film of oil. If exposed to a soaking rain, snow or salt spray, a more thorough cleaning and oiling may be necessary.
4. Between seasons, periodically apply a coat of oil to the bore and metal parts and store in a dry place. Do not plug the barrel or store in a case made of fabric or material which will absorb moisture or the lubricant from the gun.
5. Make certain to thoroughly clean your firearm when finished with firing. We suggest that you purchase a name brand, top quality rifle cleaning kit.
6. Replacement parts are available through the Henry Repeating Arms Company parts department. In the following pages you will find a parts diagram and price list. Please be sure to include the Model Number and Serial Number of your gun when ordering parts.

**7. TO MAINTAIN OR RESTORE THE RECEIVER TO ITS ORIGINAL FACTORY SHINE, WE SUGGEST YOU USE PEEK METAL POLISH, FLITZ, OR NEVR DULL.**





## ILLUSTRATION OF PARTS



## LIST OF PARTS

<b>01</b>	RECEIVER	<b>18</b>	EXTENSION	<b>36</b>	BARREL
<b>02L</b>	SIDE PLATE, LEFT	<b>19</b>	EXTRACTOR	<b>37</b>	MAGAZINE SPRING
<b>02R</b>	SIDE PLATE, RIGHT	<b>20</b>	FIRING PIN SPRING	<b>38</b>	MAGAZINE FOLLOWER
<b>03</b>	HAMMER	<b>21</b>	EXTRACTOR PIN	<b>39</b>	BUFFER, MAGAZINE FOLLOWER
<b>04</b>	TRIGGER	<b>22</b>	BOLT, REAR LINK PIN	<b>40</b>	FRONT SIGHT
<b>05</b>	LEFT R_LINK	<b>23</b>	LEVER	<b>41</b>	BLADE, FRONT SIGHT
<b>06</b>	LEFT F_LINK	<b>24</b>	LEVER PIN	<b>42</b>	SCREW, FRONT SIGHT/TRIGG.SPR
<b>07</b>	RIGHT R_LINK	<b>25</b>	LEVER SPRING	<b>43</b>	SCREW, HAMMER SPRING
<b>08</b>	RIGHT F_LINK	<b>26</b>	LEVER SCREW	<b>45</b>	LEVER HOOK
<b>09</b>	TRIGGER SPRING	<b>27</b>	CARRIER	<b>46</b>	SPRING, LEVER HOOK
<b>10</b>	TRIGGER PIN	<b>28</b>	CARRIER FEED LEVER	<b>47</b>	SCREW, SPRING LEVER HOOK
<b>11</b>	HAMMER LINK	<b>29</b>	SPRING, CARRIER FEED LEVER	<b>48</b>	TANG SCREW
<b>12</b>	HAMMER LINK PIN	<b>30</b>	SCREW, LEVER/CARRIER SPRING	<b>GBH1053</b>	BUTTPLATE SCREW
<b>13</b>	HAMMER SPRING	<b>31</b>	LINK PIN	<b>50</b>	BUTTPLATE
<b>14</b>	HAMMER SCREW	<b>32</b>	SLEEVE, BARREL	<b>53</b>	STOP SCREW, FOLLOWER
<b>15</b>	LOCK, EXTENSION	<b>33</b>	SLEEVE LATCH	<b>55</b>	BUTTSTOCK
<b>16</b>	BOLT	<b>34</b>	SLEEVE LATCH ROD	<b>61</b>	REAR SIGHT ASS'Y
<b>17</b>	FIRING PIN	<b>35</b>	SPRING, SLEEVE LATCH ROD		

---

## PARTS

An illustration and list of part names are included in this manual. Please note that not all parts are available for sale. Those parts which are available should be installed by a licensed gunsmith. When ordering parts, please give part name and part number.

**Important:** If you make unauthorized adjustments or use unauthorized parts, Henry Repeating Arms Company will not assume responsibility for the proper functioning of the rifle.

THIS GUN IS MANUFACTURED TO PERFORM PROPERLY WITH THE ORIGINAL PARTS AS DESIGNED. IT IS YOUR DUTY TO MAKE SURE ANY PARTS YOU BUY ARE INSTALLED CORRECTLY AND THAT NEITHER REPLACEMENTS NOR ORIGINALS ARE ALTERED OR CHANGED. YOUR GUN IS A COMPLEX MECHANISM WITH MANY PARTS THAT MUST RELATE CORRECTLY TO EACH OTHER. PUTTING A GUN TOGETHER INCORRECTLY OR WITH MODIFIED OR NON-FACTORY ORIGINAL PARTS CAN RESULT IN A DAMAGED GUN, DANGER AND INJURY OR DEATH TO YOU AND OTHERS THROUGH MALFUNCTION. ALWAYS HAVE A QUALIFIED GUNSMITH WORK ON YOUR GUN AND CHECK ANY WORK THAT YOU THINK WAS NOT PERFORMED BY A QUALIFIED GUNSMITH. We at Henry Repeating Arms Company think this is a small price to pay for firearms safety.

## SERVICING AND REPAIR

If you believe that your Henry rifle requires repair or adjustment, we suggest that you first contact our Customer Service by email at [info@henryrepeating.com](mailto:info@henryrepeating.com) or by phone at 201-858-4400. It may be a problem that we can resolve by phone or by sending a replacement part.

In the unlikely event that your firearm requires adjustments or repair, please make certain that it is unloaded and send it to us at the following address:

HRAC  
59 East 1st Street  
Bayonne, NJ 07002  
**Att: Repair Dept.**

Enclose an explanation of the problem in as much detail as possible.

Make certain to include your complete name, address, and daytime telephone number. Make sure that the rifle is packaged to prevent it from being damaged. Insure the package and contents against LOSS OR THEFT.

DO NOT INCLUDE "HENRY REPEATING ARMS" IN THE ADDRESS ON THE PACKAGE, IN ORDER TO PREVENT AN INQUISITIVE THIEF FROM BEING ATTRACTED TO IT BY SUCH INFORMATION.

## NEW PRODUCTS FROM HENRY

Henry Repeating Arms Company will endeavor to introduce and manufacture other fine firearms, all made in America, of high quality and at affordable prices.

Telephone: **201-858-4400** • Facsimile: **201-858-4435**

Email: **[info@henryrepeating.com](mailto:info@henryrepeating.com)** • Website: **[www.henryrepeating.com](http://www.henryrepeating.com)**

