



1505 Cox Road  
Cocoa FL 32926  
Phone: 1-800-515-9983  
Fax: 321-631-1169

[WWW.KELTECWEAPONS.COM](http://WWW.KELTECWEAPONS.COM)



SAFETY, INSTRUCTION and PARTS MANUAL

**CMR-30™**

 Warning: Read this manual carefully before loading or using the CMR-30™.







# TABLE OF CONTENTS


A.	Safety Information and Warnings.....	2
B.	Overview.....	5
	Description.....	5
	Nomenclature.....	5
	Specifications.....	5
	Ammunition.....	6
C.	Operating Instructions.....	6
	Safety.....	6
	Collapsible Stock Operation.....	6
	Loading Magazine.....	7
	Inserting the Magazine and firing.....	7
	Unloading.....	10
	Dry-firing.....	11
D.	Disassembly.....	11
	Removal of Grip Assembly.....	12
	Removal of Bolt Assembly and Stock Assembly.....	13
E.	Assembly.....	14
	Inserting the Stock Assembly and Bolt Assembly.....	14
	Installing the Grip Assembly.....	15
	Verifying Function.....	15
F.	Cleaning and Maintenance.....	16
	Maintenance.....	16
	Lubrication.....	16
	Troubleshooting.....	17
G.	Service, Repair and Limited Lifetime Warranty.....	19
	Exploded Views and Parts Lists.....	21


## A. SAFETY INFORMATION AND WARNINGS


Read this manual and the warnings contained in it before loading or using the CMR-30™. This manual explains the function and the handling of the CMR-30™ and warns of the potential dangers, including death or serious personal injury, that can result from the unsafe use of the CMR-30™. This manual should always accompany the CMR-30™ and be transferred with it if it is sold or loaned to another person.


Even if you are an experienced shooter, you must READ THIS ENTIRE MANUAL CAREFULLY before loading or firing the CMR-30™. This manual gives basic instructions on the proper handling and functioning of the CMR-30™. Your safety and the safety of others depends on you following the instructions and warnings in this manual and the constant use of safe firearms practices. If you are unfamiliar with firearms, take a course in the safe handling of firearms run by a qualified firearms instructor, your local gun club, or a similar qualified organization.

This manual contains several safety warnings and instructions preceded with  **WARNING**,  **CAUTION**, or  **NOTICE**. These signal words are designed to draw your attention to important safety information.  **WARNING** indicates a hazardous situation which, if not avoided, could result in death or serious injury.  **CAUTION** indicates a hazardous situation, which, if not avoided, could result in minor or moderate injury.  **NOTICE** addresses safety practices not related to personal injury.


 **WARNING** Firearms can cause death or serious personal injury. Safety must be the prime consideration of anyone who handles firearms.


 **WARNING** The CMR-30™ is designed to function reliably with proper care and knowledgeable use. Do not use your CMR-30™ unless you fully understand how to safely operate it.

 **WARNING** Only safe firearm handling habits will ensure the safe use of your firearm. This is your responsibility. Accidents are the result of violating the rules of safe firearms handling noted in this manual and common sense.

 **WARNING** Always seek a doctor's advice if you are taking medication to be sure that you are able to shoot and handle a firearm safely. Never drink alcoholic beverages or take drugs before or while shooting. Your vision and judgment could be seriously impaired, making your firearm handling unsafe.

 **WARNING** Always treat a firearm as though it were loaded.

 **WARNING** Always keep the muzzle pointed in a safe direction. Never point a firearm at anyone or anything you do not intend to shoot.

 **WARNING** Always keep your finger off the trigger and outside the trigger guard until you have made the decision to fire.

**⚠ WARNING** Never accept or pick up a firearm without checking the magazine and the chamber to make sure that it is unloaded.

**⚠ WARNING** Do not trust the extractor to remove the cartridge from the chamber. Always check to confirm that it is empty.

**⚠ WARNING** Always make sure the CMR-30™ is unloaded, on SAFE and the action is open before handing it to another person.

**⚠ WARNING** Never allow a firearm to be used by individuals who are not familiar with its safe operation and rules of firearm safety.

**⚠ WARNING** Never alter or modify the CMR-30™ because this could cause it to malfunction and create a dangerous condition.

**⚠ WARNING** Be sure all accessories are compatible with the firearm. Be sure all accessories are properly installed on the firearm and that the accessories do not interfere with safe operation of the firearm. Follow the instructions provided by the accessory manufacturer to the extent those instructions are not inconsistent with the warnings and instructions contained in this manual.

**⚠ WARNING** If the CMR-30™ is dropped or forcefully struck, it could be damaged and may not function properly. Have it inspected by Kel-Tec CNC Industries, Inc. before continuing to use it.

**⚠ WARNING** Never load a firearm except immediately before shooting. When transporting your firearm, be sure your firearm is unloaded, on SAFE and the action is open.

**⚠ WARNING** Never store or transport firearms and ammunition together, keep them locked up and away from children or other unauthorized persons.

**⚠ WARNING** Always secure firearms from children. You are responsible for the firearm's safety and security.

**⚠ CAUTION** Most ammunition contains lead in the projectile and/or primer. Discharging firearms in poorly ventilated areas, cleaning firearms, or handling ammunition may result in exposure to lead and other substances known to cause birth defects, reproductive harm, and other serious physical injury. Have adequate ventilation at all times. Wash hands thoroughly after exposure.

Before it left the factory, the CMR-30™ was tested, carefully inspected, and packaged. Kel-Tec CNC Industries, Inc. cannot control what happens to the CMR-30™ after it leaves the factory, therefore, carefully examine the CMR-30™ when you acquire it to ensure that it is unloaded and undamaged. If you do not understand any of the warnings and instructions in this manual, have any problems operating the CMR-30™, or need another copy of this manual, contact Kel-Tec CNC Industries, Inc. at:

**KEL-TEC CNC INDUSTRIES INC**

1505 Cox Road  
Cocoa, FL 32926

**Telephone Number:** 321-631-0068

**Toll free:** 1-800-515-9983

**Hours:** M-F 9am-3pm EST (excluding holidays)

**Website:** [www.keltecweapons.com](http://www.keltecweapons.com)

**Email:** [customerservice@keltecweapons.com](mailto:customerservice@keltecweapons.com)

The current version of the instruction manual can also be downloaded at  
[www.keltecweapons.com/resources/downloads](http://www.keltecweapons.com/resources/downloads)

## B. OVERVIEW

### Description

The CMR-30™ is a lightweight auto-loading firearm that accepts the 30 round magazine originally developed for the PMR-30™ pistol. The safety, magazine catch, stock latch, and non-reciprocating operating handles are accessible from both sides of the firearm. The collapsible stock pulls out and adjusts to 5 separate positions to accommodate a wide range of users.

The CMR-30™ features a rigid aluminum upper assembly that houses the nitrided barrel and a long Picatinny rail for mounting of sights, optics, or other accessories. This rigid mounting, and a lock time better than most bolt action rifles, allows for excellent accuracy. The end of the barrel is threaded ½"-28 to accept a wide range of muzzle devices.

The lower Picatinny rail allows for the mounting of forward grips or other accessories, but is also removable if preferred.

### Nomenclature



Figure B-1: Side-View

### Specifications

Design Features (CMR-30™ Rifle, sights removed, base model)	
Operating System	Blowback
Caliber	22WMR
Capacity	30+1
Barrel Length	16.1" (408 mm)
Barrel Twist Rate	1 in 16" (1 in 406mm)
Trigger Pull (not adjustable)	3 to 5 pounds
Accessory Mount	Picatinny Rail (Top and Bottom)

Dimensions (CMR-30™ Rifle, sights removed, base model)	
Length (stock collapsed/extended)	22.7" (577mm)/ 30.6" (777mm)
Length of Pull (stock to trigger)	10.3"(261mm)/14.2" (361mm)
Max Width (at operating handles)	2.9" (74 mm)
Majority Width	1.2" (30 mm)
Max Height	6.6" (167 mm)
Weight (unloaded, no magazine)	3.8 lbs (1.7 kg)

## Ammunition

The standard CMR-30™ is chambered for 22 Winchester Magnum Rimfire ammunition, also known as 22WMR or simply 22 Magnum. The caliber is marked on the firearm. Do not use any other caliber or designation of ammunition.

**⚠ WARNING** Never use non-standard ammunition or cartridges with pressures exceeding SAAMI standards, failure to follow this warning may result in serious injury or death and damage to your firearm.

Only use commercially available US-manufactured ammunition that meets SAAMI established standards. Inspect your ammunition to make sure it is clean, dry, and in good condition. Never use non-standard, reloaded or damaged shells. Any other ammunition is considered non-standard and its use may void the warranty on this firearm.

The CMR-30™ functions best with high power ammo, often with bullet weights of 40grain and up. Low power ammo and/or light-weight bullets may cause failure to feed problems due to the lack of energy to cycle the action all the way back.

Please take the ammo type into account before sending your firearm in for repair work. All testing at the factory will be done with high-power ammo.

## C. OPERATING INSTRUCTIONS

### Safety

The CMR-30™ features an ambidextrous lever style safety located above the rear of the grip and can be activated with the thumb of the grip hand. When the safety lever is in the FIRE position, the lever will be down and a red colored oval will be visible above the lever. When the safety lever is in the SAFE position, the lever will be up and the red colored oval will not be visible.

Please note that the safety lever will not be able to go into the SAFE position unless the hammer is cocked.

**⚠ WARNING** Never totally rely on a mechanical safety as it can fail or become unintentionally disengaged. A mechanical safety is not a substitute for safe firearm handling practices.

### Collapsible stock operation

The stock on the CMR-30™ can be adjusted to 5 different user positions and a completely collapsed position for storage. Simply pull the stock out from the storage position until it clicks and locks into the first user position. If you pull the stock out quickly it can bypass one or more of the user positions and stop at the fully extended user position quickly. To unlock the stock from the fully extended user position, or one of the other user positions, it is necessary to pull down and hold the stock lock button just in front of the trigger guard with your trigger finger. While holding down, slide the stock to the desired user position or storage position and release the button.

The stock lock will click and lock into the 5 user positions, but will only partially detent into a notch in the storage position to allow for quick and easy deployment.



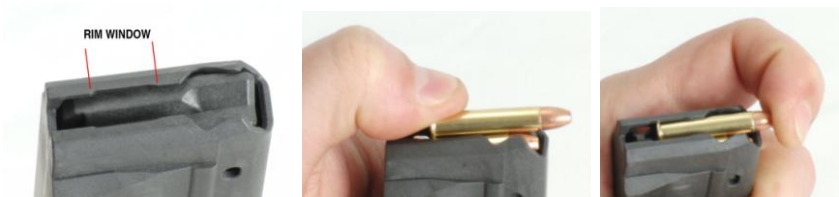
**Figure C-1: Stock Adjustment**

## Loading the magazine

**NOTICE** Loading the double stack magazine of the CMR-30™ is very different from loading most other magazines. Failure to load the magazine properly can result in rim-lock which will lead to a Fail to Feed (FTFD) malfunction.

**NOTICE** Brand new magazines may be difficult to fully load. If this is the case, load to 20 or 25 rounds for the first 5 or 10 uses before fully loading the magazine.

To load, fill the magazine by pressing a cartridge downward in the center of the magazine, with the rim situated within the rim window. Then slide the round back all the way before pushing another round down on top of it.



**Figure C-2: Loading the magazine by pushing the cartridge down, and then sliding the cartridge back**

After loading about 5 rounds **lightly tap the back of the magazine against a flat surface**, like a table, to help seat the rounds, and keep the rims arranged correctly. **Once 15 to 20 rounds have been loaded, the magazine will start to get more difficult to load and tapping the back should be done after every 1 or 2 rounds.**





**Figure C-3: Tapping the back of the magazine on a flat surface to seat rounds and ease loading**

Do not load more than 30 rounds in the magazine. The last round should be on the left side of the magazine when 30 rounds are loaded. The view ports on the side of the magazine are spaced for every 5 rounds, but only if the round is fully seen in the view port, not just partially seen.

### **Inserting the magazine and firing**

**WARNING** Before firing the CMR-30™, run a clean patch through the barrel, from the chamber end, using a cleaning rod. Repeat this procedure until the patch comes out of the barrel with no gun oil or cleaner-lubricant-preserved on it because any obstruction in the barrel could prevent the CMR-30™ from firing properly and result in death or serious personal injury and/or damage to the CMR-30™.

**WARNING** Ensure the barrel is free of obstructions prior to firing. Open the action and clear the firearm of all ammunition before checking the barrel of the unloaded firearm. Any obstruction in the barrel could prevent the CMR-30™ from firing properly and result in death or serious personal injury and/or damage to the firearm.

**WARNING** In case of a failure to fire, continue to hold the CMR-30™ pointed towards the target for at least 30 seconds. If a hangfire (slow ignition) has occurred, the cartridge should fire within approximately 30 seconds. If the cartridge has not fired, remove the magazine, and then pull the operating handle to its rearmost position and remove the unfired cartridge from the chamber while keeping the CMR-30™ pointed in a safe direction. (Note: Dispose of misfired cartridges in accordance with the ammunition manufacturer's instructions).

**WARNING** Never use the CMR-30™ if it fails to function properly, and never force the bolt forward on a jammed cartridge because it could cause the cartridge to explode or damage the CMR-30™.

**WARNING** Never pull the trigger if the action does not fully close to prevent a possible out of battery firing. If this happens, unload the CMR-30™ as described in the unloading

section, examine the cartridge that was in the chamber, and check the chamber to ensure that there are no obstructions or debris in it.

**WARNING** Never discharge a firearm without proper eye protection and ear protection.

**WARNING** Never shoot until you are sure of your backstop and what lies beyond it.

**WARNING** Never shoot at a hard surface, such as a rock, or a liquid surface, such as water, because a bullet may ricochet and travel in any direction, striking you or someone else.

**WARNING** When firing on a target range, be alert and follow the range officer's commands. Always be aware of other people so that they cannot accidentally walk into the line of fire. Make sure your "audience" is always 5 feet in back of you, not next to you, when firing.

**WARNING** Always carry the CMR-30™ unloaded with the action open while on a range until preparing to fire. Always keep the CMR-30™ pointed towards the backstop when loading, firing, and unloading it.

**CAUTION** After firing several rounds, the exterior metal parts of the CMR-30™ can get very hot and can cause severe burns if touched.

Hold the firearm in your shooting hand with the safety on SAFE (lever up), keep the muzzle pointed in a safe direction and your finger outside the trigger guard, pointing forward. Insert the loaded magazine into the bottom of the grip of the firearm all the way until it clicks in place. Firmly slap the butt of the magazine to ensure it is fully seated. Grab the operating handle and firmly pull the action all the way back and release the operating handle to chamber a round from the magazine. Do not follow the operating handle forward with your hand as this will slow the action and it may not fully chamber the first round in the magazine.



**Figure C-4: Slapping the base of the full magazine and pulling operating handle back to chamber a round**



Figure C-5: Sweeping the safety lever down for FIRE, or up for SAFE

**NOTICE** The operating handle does not cycle with the action of the weapon, therefore your hand can safely be placed resting on the rear of the operating handle. However, resting it on the front of the operating handle can cause issues cycling if your hand prevents the handle from going completely forward.

Take aim at a safe target and disengage the safety by sweeping the safety lever down with your thumb. Slowly squeeze the trigger until a round is fired. Release the trigger and you are ready to fire another round. Upon firing, the action moves rearward extracting and ejecting the fired cartridge case and returns to the forward position, feeding another cartridge automatically. This sequence can be repeated until the last cartridge has been fired. The action will automatically lock back after the last cartridge in the magazine is fired.

Remove the empty magazine by grabbing the bottom of the magazine and the magazine catch with your thumb and pointer finger. Squeeze the magazine catch and pull the magazine out in one motion. If you wish to continue firing, insert a loaded magazine, and slap the butt of the magazine to ensure it is fully seated. Then simply pull down on the bolt stop button to release the action and chamber the first round. The firearm is now ready to fire again. After the last magazine is emptied, sweep the safety lever up to SAFE with your thumb. Remove the magazine. Pull back on the operating handle and SLOWLY follow it forward. **It is not recommended that you release the bolt to slam closed on an empty chamber, as this puts extra stress on the bolt and barrel where they contact.**

## Unloading

To safely unload the firearm, sweep the safety lever up for SAFE. Remove the magazine by grabbing the bottom of the magazine and the magazine catch with your thumb and pointer finger. Squeeze the magazine catch and pull the magazine out in one motion. Grab the operating handle and pull and hold it all the way back in one fast motion to eject any round in the chamber. While holding the action back, use your thumb to slide and hold the bolt stop button up. Now slowly release the action and it should be held open by the bolt stop. Visually inspect the chamber to be sure it is empty. To close the action, pull back on the operating handle and SLOWLY follow it forward. **It is not recommended that you release the bolt to slam closed on an empty chamber, as this puts extra stress on the bolt and barrel where they contact.**

To unload a full or partially full magazine, use a cartridge or small tool to push each round forward and out of the magazine. Continue until all rounds are pushed out.



**Figure C-6: Unloading the magazine by pushing rounds forward**

## Dry-firing

Dry-firing is the act of pulling the trigger and dropping the hammer when the chamber is empty. Excessive dry-firing is not recommended, but it can be done occasionally without worry of damaging the firearm. Remove the magazine and unload your firearm as discussed in the **Unloading** section above.

**WARNING** Before dry-firing, always be 100% sure that the chamber is empty, the magazine is removed, and always point the firearm in a safe direction.

## D. DISASSEMBLY

**WARNING** Remove the magazine, verify that the chamber is unloaded, and remove all live ammunition from the area before disassembling the CMR-30™ to reduce the chance of a negligent discharge.

**WARNING** Never rely on your memory to determine whether the CMR-30™ is loaded or unloaded. Always open the action and then visually and physically (with your finger) check to make sure there is no cartridge in the chamber.

**WARNING** Never alter or modify the CMR-30™ because this could cause it to malfunction and create a dangerous condition.

**WARNING** Always wear safety glasses when disassembling the CMR-30™ to protect your eyes from components that are under pressure, such as springs.

For regular maintenance of the CMR-30™, it will be necessary that you become familiar with its disassembly. The following sections should be followed in sequential order and continued as needed depending on desired maintenance.



**Figure D-1: CMR-30™ General Disassembly (field stripped)**



**WARNING** If the CMR-30™ has been fired, wait a sufficient amount of time for the components to cool before attempting disassembly, failure to do so may result in burns.

### Removal of the grip assembly

1. Cycle the action to verify that the chamber is empty, the hammer is cocked, and the bolt is in the forward position.
2. Engage the safety by raising the safety lever and ensuring that no part of the red oval is visible.
3. Fully extend the stock (pull all the way out).
4. Push out and remove the assembly pin (a small pointed object may be necessary to start the pin out).
5. Remove the grip assembly by sliding the grip straight back at least one inch, and then pull it away from the barrel assembly as shown in *Figure D-2*.



**Figure D-2: Slide grip straight back, then pull away**

## Removal of the bolt assembly and stock assembly

1. Position the upper assembly with the muzzle pointing down and pull up slightly on the operating handle to allow for a finger to get in front of the bolt in order to grip it as shown in *Figure D-3*.



**Figure D-3: Grip bolt block as shown, after lifting it with the operating handle**

2. While holding onto the rear of the upper, as shown in figure D-3, lift the bolt all the way up until the front of the spring tube clears the rear of the upper. The stock will also be lifted, but should still partially be in its track.
3. Rotate the bolt assembly out, and twist it 90 degrees to unhook the tabs from the stock rods and remove the bolt assembly.
4. Pull out the stock assembly.



**Figure D-4: Hold stock rods while lifting bolt and rotate to remove bolt**



**WARNING** Further disassembly should only be performed by a certified gunsmith or Kel-Tec CNC Industries Inc. Attempting further disassembly could void your warranty.

## E. ASSEMBLY

**WARNING** Always wear safety glasses when reassembling the CMR-30™ to protect your eyes from springs.

### Inserting the stock assembly and bolt assembly

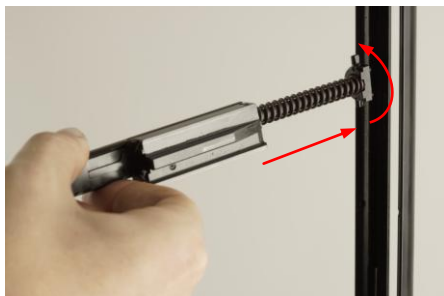
1. Position the barrel assembly with the muzzle pointing down and grab the stock assembly by the end of the stock rods as shown in *Figure E-1*.
2. Align both stock rods with the corresponding channels in the upper assembly and slide the stock on. Be sure to keep your hand close to the end of the stock rods to help with aligning the tracks. Angling the rods and getting both tops in first before straightening the rods is often helpful.

**NOTICE** Failure to insert **BOTH** stock rods into **BOTH** appropriate channels of the upper assembly can cause damage to your firearm. Be sure both stock rods are properly aligned before proceeding.



**Figure E-1: Align BOTH stock rods onto the upper assembly, and slide them on**  
**Notice the hand placement on the stock rods is close to the ends of the rods**

3. Grab the bolt assembly and twist the rear of it 90 degrees after inserting it into the stock rod channels as shown in *Figure E-2*. (The reverse of the disassembly process).



**Figure E-2: Insert the rear of the bolt assembly into the stock rod channels**

4. Lift the bolt assembly up until the spring tube clears the rear of the upper assembly. The stock will also be lifted, but should still be in its track. Slowly align the bolt assembly with the guide rails in the upper and guide the bolt and the stock assemblies down into the upper assembly together, making sure that the slots in the bolt align with the tabs in the upper assembly.

**NOTICE** The stock assembly **MUST** move down **WITH** the bolt assembly or it may bind and damage the firearm.

### Installing the grip assembly

1. Verify that the hammer is cocked, safety is on SAFE, and that no magazine is present in the grip assembly.
2. Position the grip onto the bottom of the upper assembly, as shown in *Figure E-3*.



**Figure E-3: Install grip assembly onto upper assembly**

3. Slide the grip forward onto the upper assembly until the assembly pin hole aligns with the hole in the upper assembly.
4. Insert the assembly pin from either side of the grip.

### Verifying function

1. Use the operating handle to verify that the bolt cycles smoothly.
2. Pull out the stock and verify that it locks in place and collapses correctly.



## F. CLEANING AND MAINTENANCE

### Maintenance

**WARNING** Remove the magazine, verify that the chamber is unloaded, and remove all live ammunition from the area before working on the CMR-30™ to reduce the chance of a negligent discharge.

**WARNING** Always wear safety glasses when cleaning the CMR-30™ to protect your eyes from cleaning materials.

**WARNING** Always make sure that no ammunition is located in the area where you clean the CMR-30™. Cleaning solvents can affect the primer and powder in ammunition and cause it to malfunction. This could result in a bullet being pushed into the barrel of the CMR-30™ and getting stuck. Firing another round with a bullet stuck in the barrel could cause the barrel to burst and result in death or serious personal injury and/or damage to the CMR-30™.

**WARNING** If the CMR-30™ has been fired, wait a sufficient amount of time for the components to cool before attempting disassembly, failure to do so may result in burns.

Your CMR-30™ is a precision instrument and will provide a lifetime of faithful service if it is properly cleaned and maintained. It is recommended that you clean your CMR-30™ after every shooting session or more frequently if needed. Be sure to unload your CMR-30™ (see *the Unloading section of this manual*) before performing any cleaning or maintenance procedures.

**NOTICE** Only use commercially available gun solvent and gun oil or a cleaner-lubricant-preserved. Use of improper cleaning fluids could damage the CMR-30™ and void your warranty.

1. Disassemble the CMR-30™ (see *the Disassembly section of this manual*).
2. Thoroughly clean all exterior sides of the bolt assembly with solvent and brush. Pay special attention to the bolt face and verify that the extractor, firing pin, and recoil spring move freely.
3. Brush the barrel bore and chamber with a good powder removing solvent and bore brush. Wipe the areas clean with patches or a swab.
4. Using a small brush dipped in solvent, remove all deposits from around the breech of the barrel and barrel trunion, as well as all adjacent areas that have been subjected to powder or primer residue.
5. Clean the grip assembly with solvent and brush if needed.

### Lubrication

After cleaning the entire gun, use a cloth to apply a light coating of high quality gun oil to all internal and exterior metal surfaces and wipe clean.

Apply a drop or two of gun oil or grease to the guide slots on the right and left side of the bolt.

Apply a few drops of oil or grease to the tracks for the stock on the stock assembly as well as on the upper assembly.

Assemble as described in the Assembly section of the manual.

Manually cycle the action back and forth and the stock back and forth to check the function of the firearm. If any parts are damaged or badly worn or the firearm does not work correctly, the firearm should not be fired and should be returned to Kel-Tec for servicing immediately.



**WARNING** Discharging a firearm with oil, grease, or any other material even partially obstructing the bore could result in serious injury or death and serious damage to your firearm.

## Troubleshooting

Proper functioning of your firearm is directly related to proper maintenance and care as well as the quality of ammunition you use. If in the unlikely circumstance your CMR-30™ malfunctions, we have included a list of several suggested remedies below.

Fail to Fire (FTFR):

**The trigger is pulled, the hammer drops, but the firearm does not fire:**

You may be experiencing a misfire and should point the barrel of the CMR-30™ in a safe direction, engage the safety by ensuring the white "S" is visible, remove the magazine, and wait at least 30 seconds before fully cycling the action and ejecting the round.

Did a round chamber from the magazine? Remove the magazine and verify that the round in the magazine is not jammed

Is the magazine seated all the way in the grip? Slap the base of the magazine and cycle the action.

Ensure the action is fully forward. The CMR-30™ is designed to prohibit firing out of battery to protect the user and if the bolt is not fully closed, the hammer will not drop.

Fail to Feed (FTFD):

**A round is not stripped from the magazine and fed into the chamber. The bolt could be partially closed, or completely closed. THIS IS ALMOST ALWAYS CAUSED BY IMPROPER LOADING OF THE MAGAZINE. The magazine of the CMR-30™ requires extra care be taken in loading to ensure reliable function.**

If the bolt is halfway closed and the round can be seen partially fed, or perhaps stopped on the front of the magazine. Pull the operating handle back and engage the bolt stop to lock the bolt back. Remove the magazine and cycle the action a few times to verify that it cycles correctly. Completely unload and reload the magazine paying close

attention to the instructions for loading the magazine in this manual.

If the bolt is fully closed, remove the magazine and completely unload and reload the magazine paying close attention to the instructions for loading the magazine in this manual.

Fail to Extract (FTEX):

**An empty round is stuck in the chamber and a new round may be trying to feed in the chamber, or the bolt is locked back.**


Disassemble the firearm and completely clean and re-lubricate, paying special attention to the chamber and verifying that the extractor in the bolt moves freely.

Fail to Eject (FTEJ):

**An empty case is loose in the ejection port and a live round may be partially fed in to the chamber or the bolt is locked back.**

Disassemble the firearm and completely clean and re-lubricate, paying special attention to the chamber and verifying that the extractor in the bolt moves freely and appears to be in good condition.

## G. SERVICE, REPAIR, AND WARRANTY

 **WARNING** Always make sure the CMR-30™ is unloaded (both chamber and magazine removed and empty) before sending it in for service.

If your CMR-30™ ever requires adjustment, refinishing or repair, it should be returned to Kel-Tec CNC Industries, Inc.'s service department. The unloaded firearm and magazines should be sent prepaid to:

Kel-Tec CNC Industries, Inc.  
Service Department  
1505 Cox Road  
Cocoa, FL 32926

Contact your chosen carrier to determine its requirements for shipping firearms. In certain states, your firearm may have to be returned to you through a local federally licensed firearms dealer. Be sure to securely package your firearm and insure it for its full value because Kel-Tec CNC Industries, Inc. is not responsible for firearms lost or damaged during shipment.

To ensure prompt service and handling, include a brief letter including your name, address, telephone number, the serial number of your CMR-30™, and what you would like to be done with it, or the issue that you would like to be addressed. No return authorization number is required. Once your firearm has been received, we will provide a quotation of all charges (unless the repairs are covered by the warranty) and will not begin work until we receive your approval. Charges for adjustments, refinishing, and repairs are payable by money orders, Master Card or Visa only. No COD or personal checks are accepted.

### LIMITED LIFETIME WARRANTY

Subject to the terms, conditions and limitations outlined below, Kel-Tec CNC Industries, Inc. guarantees your CMR-30™ against defects in materials and workmanship for the lifetime of the original consumer purchaser.

To make a claim under this warranty, return your CMR-30™ pursuant to the instructions above and include a copy of a bill of sale in your name, or a copy of the 4473 form, showing that you are the original consumer purchaser. For repairs that are covered by the warranty, Kel-Tec CNC Industries, Inc. will pay the transportation and insurance charges to return your CMR-30™.

### LIMITATIONS OF WARRANTY

**The warranty will be void if any of the following occur:**

- (1) **the instructions in the Instruction Manual are not followed;**
- (2) **the CMR-30™ or any of its parts are altered or modified from their original state;**
- (3) **damage is caused by misuse, abuse or improper maintenance;** or
- (4) **the CMR-30™ is disassembled beyond the instructions in the Instruction Manual.**

**There are no warranties which extend beyond the description on the face hereof.**

**The sole and exclusive remedy pursuant to this warranty is the repair or replacement of the CMR-30™, at the sole discretion of Kel-Tec CNC Industries, Inc.**

**The implied warranties of merchantability and fitness for a particular purpose are expressly disclaimed.**

**All disclaimers and limitations of liability shall still apply even if the limited remedy of repair and replacement fails of its essential purpose.**

**In states where permitted, Kel-Tec CNC Industries, Inc. assumes no liability for incidental or consequential damage or for incidental expenses.**

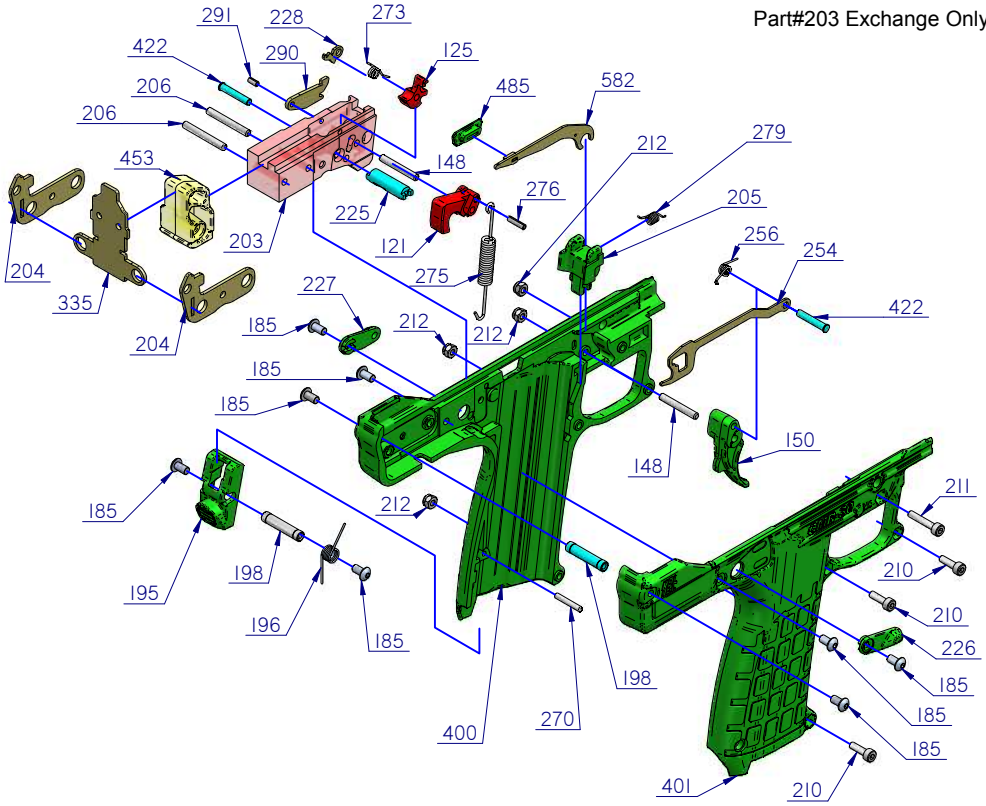
**Any action against Kel-Tec CNC Industries, Inc. based on an alleged breach of this warranty must be brought within one (1) year of the claimed breach.**

**Kel-Tec CNC Industries, Inc.'s liability for breach of warranty shall be limited to repair or replacement of the CMR-30™, at the sole discretion of Kel-Tec CNC Industries, Inc.**

The CMR-30™ is a dangerous weapon. The purchaser assumes all liability resulting from unsafe handling or any action that constitutes a violation of any applicable laws or regulations. Kel-Tec will not be responsible for injuries or damages resulting from careless handling, unauthorized or unsafe adjustments or modifications, the use of non-standard, defective, or improper ammunition, the use of incompatible or improperly installed accessories, corrosion, neglect, fire damage, water damage, theft, abuse, ordinary wear and tear, or unreasonable use of the CMR-30™. Under no circumstances shall Kel-Tec be responsible for incidental or consequential damages with respect to economic loss or injury or property damage, whether as a result of breach of express or implied warranty, negligence or otherwise.

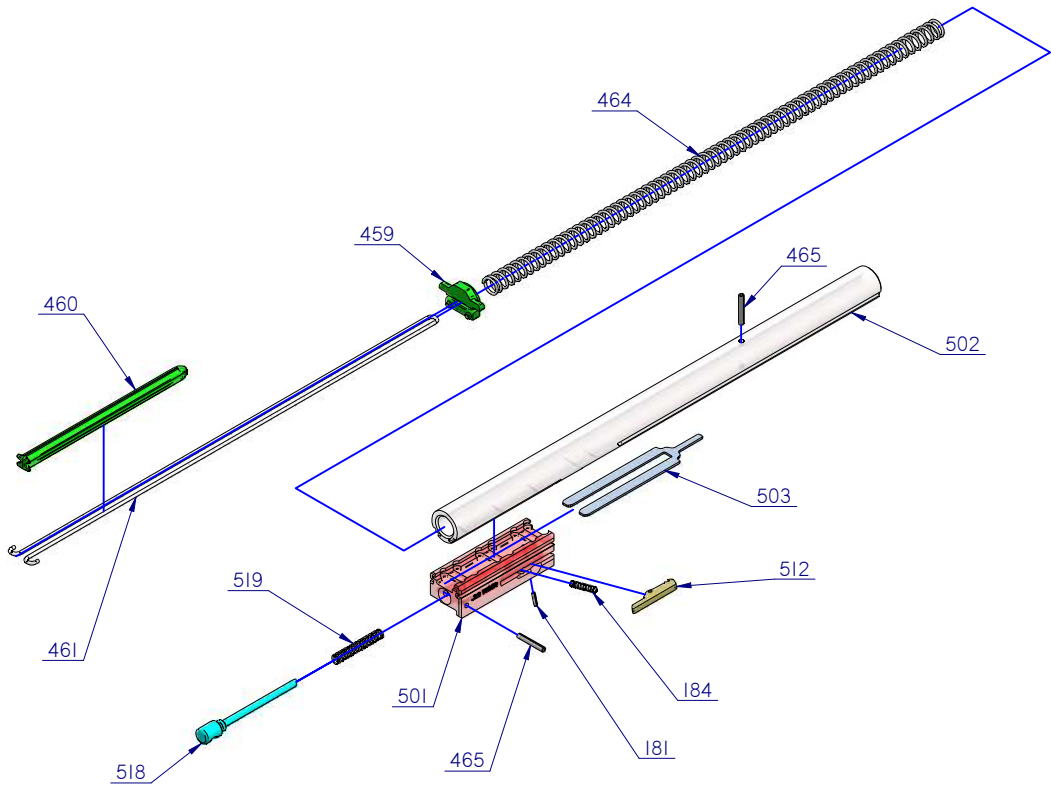
# CMR-30-1603 GRIP AND FRAME ASSEMBLY

Part#203 Exchange Only



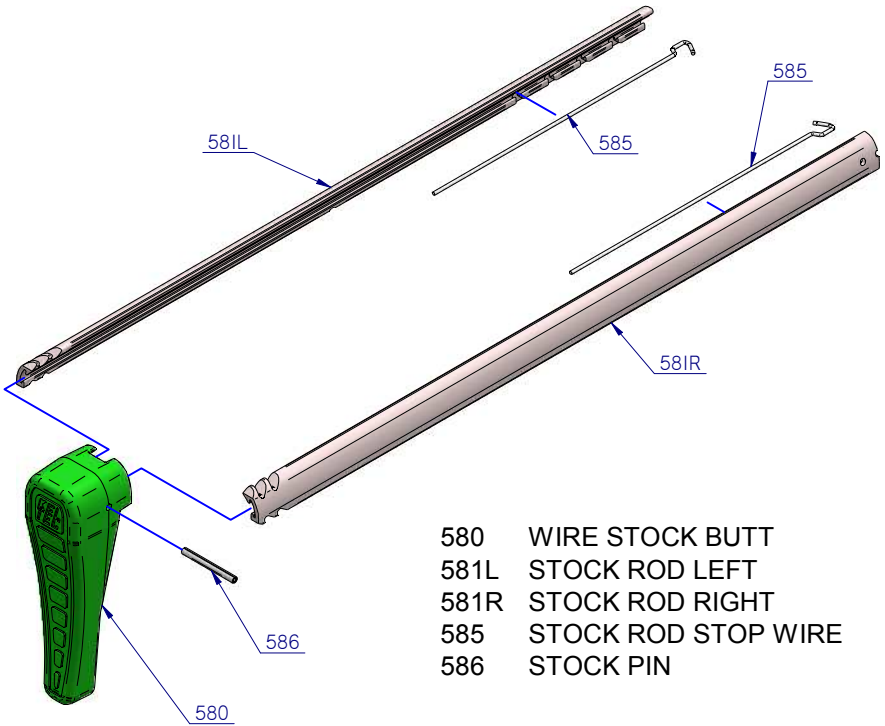
- |     |                       |     |                     |
|-----|-----------------------|-----|---------------------|
| 121 | HAMMER                | 228 | SAFETY SNAP         |
| 125 | SEAR                  | 254 | TRIGGER BAR         |
| 148 | TRIGGER / HAMMER AXIS | 256 | TRIGGER SPRING      |
| 150 | TRIGGER               | 270 | HAMMER SPRING CATCH |
| 185 | 6-32 BHCS             | 273 | SEAR SPRING         |
| 195 | MAG CATCH             | 275 | HAMMER SPRING       |
| 196 | MAG CATCH SPRING      | 276 | HAMMER SPRING PIN   |
| 198 | MAG CATCH AXIS        | 279 | SLIDE STOP SPRING   |
| 203 | FRAME                 | 290 | BOLT CATCH          |
| 204 | FRAME SIDE SUPPORT    | 335 | BACK PLATE          |
| 205 | FEEDRAMP              | 400 | GRIP LEFT           |
| 206 | FRAME PIN             | 401 | GRIP RIGHT          |
| 210 | M3-10 SOCKET HEAD     | 422 | SEAR AXIS           |
| 211 | M3-16 SOCKET HEAD     | 453 | BUFFER              |
| 212 | M3 NUT                | 485 | SLIDE STOP BUTTON   |
| 225 | SAFETY                | 582 | SLIDE STOP WELDMENT |
| 226 | SAFETY LEVER RIGHT    |     |                     |
| 227 | SAFETY LEVER LEFT     |     |                     |

# CMR-30-1501 BOLT ASSEMBLY



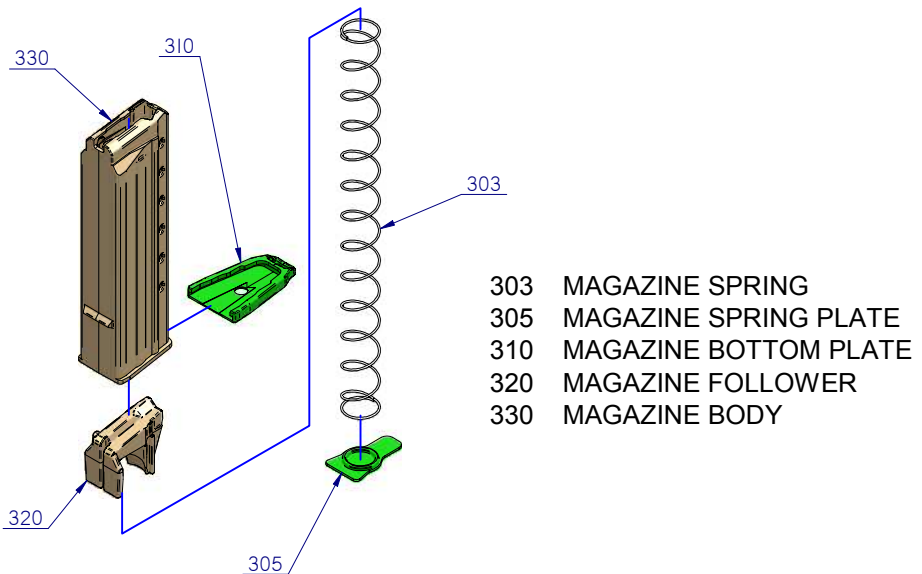
- 181 EXTRACTOR AXIS
- 184 EXTRACTOR SPRING
- 459 RECOIL SPRING CATCH
- 460 RECOIL SPRING GUIDE ROD
- 461 RECOIL SPRING GUIDE EXTENSION
- 464 RECOIL SPRING
- 465 FIRING PIN PIN/RECOIL SPRING PIN
- 501 BOLT BLOCK
- 502 BOLT TOP ROD
- 503 BOLT BLOCK LOCK
- 512 EXTRACTOR
- 518 FIRING PIN
- 519 FIRING PIN SPRING

# CMR-30-1580 STOCK ASSEMBLY



REV1412

# PMR-30-1330 MAGAZINE ASSEMBLY



REV1412



