

SAFETY & INSTRUCTION MANUAL
P22Q



EN

DE

FR

ES

IT



Semi-Automatic
Sport Pistol
Cal. .22L.R.



Read the instructions and warnings in this manual
CAREFULLY BEFORE using this firearm.

P22Q

Important instructions for the use of firearms

It should be remembered that even the safest gun is potentially dangerous to you and others when it is not properly handled.

First of all read and understand the operating instructions and learn how the weapon works and is to be handled. Always treat an unloaded weapon as if it were loaded.

! WARNING: ALWAYS BEAR IN MIND: KEEP YOUR FINGER AWAY FROM THE TRIGGER UNLESS YOU REALLY INTEND TO FIRE. ALWAYS KEEP YOUR WEAPON POINTING IN A SAFE DIRECTION SO THAT YOU AND OTHERS CANNOT BE ENDANGERED.

Do not use force when disassembling or assembling your weapon. A gun can only be safe as long as it is in a flawless technical condition. Incorrect handling and lack of maintenance may lead to malfunctions and reduced safety of the weapon. Always be aware of possible risks from dropping your pistol or from corrosion or other external influences. In such cases, have your weapon inspected by a competent gunsmith before using it again. Unauthorized modifications to the mechanism, damage caused by the application of force and modifications effected by third parties will release the manufacturer from any warranty claims. Only an authorized and qualified gunsmith is allowed to work on a gun. Always wear ear protectors and if necessary safety glasses, even in practice shooting. Remind any persons stationed behind you that they should wear ear protectors.

CONTENTS

1. SAFETY AND OPERATING INSTRUCTIONS	4 - 6
1. OPERATING INSTRUCTIONS	4 - 6
1.1. Manual safety	4
1.2. Sights	5
1.3. Loaded chamber indicator	6
1.4. Drop safety	6
1.5. Magazine safety	6
2. INSPECTION BEFORE USE	7
2.1. INSPECTION AFTER USE	7
3. LOADING THE PISTOL	8
3.1. LOADING THE CHAMBER WITH THE FIRST CARTRIDGE	9
4. FIRING	9
5. DECOCKING THE HAMMER	10
6. PISTOL WITH EMPTY MAGAZINE	10
7. UNLOADING THE PISTOL	11
8. DISASSEMBLY AND REASSEMBLY OF THE PISTOL	11
9. ADAPTION OF THE GRIP	12
10. INTERCHANGEABLE BARREL	13 - 14
11. SPECIAL ACCESSORIES	15
12. CLEANING	16
13. STORAGE	16
14. REPAIR	17
15. WARRANTY	18 - 20
16. TECHNICAL DATA	21

P22Q

1. YOUR SAFETY RESPONSIBILITIES

!WARNING:

ALWAYS LEAVE THE MANUAL SAFETY ENGAGED UNTIL YOU INTEND TO FIRE.

1.1 Manual safety

SAFE POSITION - rotate the safety lever to lower position (fig. 1).

FIRE POSITION - rotate the safety lever to upper position (fig. 2).



1. YOUR SAFETY RESPONSIBILITIES

1.2 Sights

The front sight is interchangeable for elevation adjustment, and the rear sight is adjustable for windage.

Windage adjustment:

Turn screw on the rear sight clockwise if weapon fires to the right, turn it counter clockwise weapon fires to the left.

Caution! Use a minimal amount of force when adjusting the rear sight screw.

Elevation adjustment:

Elevation adjustment is changed by mounting front sights of different heights. If weapon fires too low, a lower front sight should be mounted, if it fires too high, a higher front sight should be mounted.

To change the front sight, use a screwdriver to press the sight out of its seat in the slide.

Make is a ridge that holds the sight in place. If the sight installed incorrectly and ridge is broken the sight will not stay secured.



P22Q

1. YOUR SAFETY RESPONSIBILITIES

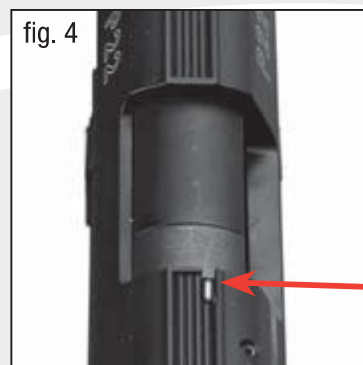
1.3 Loaded chamber indicator

A small slot in the upper part of the slide allows inspection of the chamber to see if a cartridge has been loaded (fig 4).

! WARNING:

ALL SAFETY DEVICES OF THE FIREARM ARE MECHANICAL SAFETIES, AND THE SHOOTER IS THE ONLY ONE WHO CAN ENGAGE AND DISENGAGE THESE SAFETIES. NEVER RELY SOLELY ON MECHANICAL SAFETIES - ALWAYS BE EXTREMELY CAREFUL AND AVOID SITUATIONS WHICH COULD LEAD TO AN ACCIDENT.

fig. 4



1.4 Drop safety (automatic internal safety)

The drop safety (firing pin safety) is only disengaged when the trigger is pulled. If the weapon is dropped or falls and the hammer is released, then the firing pin safety prevents movements of the firing pin.

1.5 Magazine safety

Without the magazine inserted, the magazine safety of the P 22 prevents firing a live cartridge in the chamber.

! WARNING:

ALWAYS INSPECT THE CHAMBER OF YOUR PISTOL AFTER THE MAGAZINE HAS BEEN REMOVED FROM THE GUN. MAKE SURE THAT NO CARTRIDGE IS LEFT IN THE CHAMBER AFTER THE SAFETY HAS BEEN ENGAGED.

2. INSPECTION

2. Inspection before use

! WARNING: MAKE SURE THAT THE PISTOL IS UNLOADED (CHAMBER CLEARED, BARREL CLEAR OF ANY OBSTRUCTIONS, MAGAZINE EMPTY) FOR INSPECTION AND THAT THE SAFETY IS ENGAGED.

Functional inspection

1. Check to make sure the chamber and Magazine are empty. Remove the magazine, retract the slide. After the slide has been released, the recoil spring will return the slide fully forward into battery.
2. Insert the empty magazine, retract the slide. The slide should be locked back in its rearmost position by the slide stop lever.
3. Remove the magazine, pull the slide back slightly and release the slide. After the slide has been released, the recoil spring should return the slide fully forward into battery.
4. To decock the gun, (check to make sure the chamber and magazine are empty) insert the empty magazine, hold the hammer with your thumb, pull the trigger and let the hammer slowly travel forward.
5. Insert the empty magazine, fully retract the slide. The slide must be retained in its rearmost position by the slide stop lever.
6. Press the slide stop lever down. The recoil spring should return the slide fully forward into battery. Decock the hammer.
7. Remove the magazine, pull the trigger. The hammer should not fall.

2.1 Inspection after use

! WARNING: MAKE SURE THAT THE PISTOL IS UNLOADED (CHAMBER AND BARREL MUST BE CLEAR) AFTER USE, THAT THE MAGAZINE IS EMPTY, AND THAT THE SAFETY IS ENGAGED. POINT MUZZLE IN A SAFE DIRECTION AND DECOCK THE HAMMER.

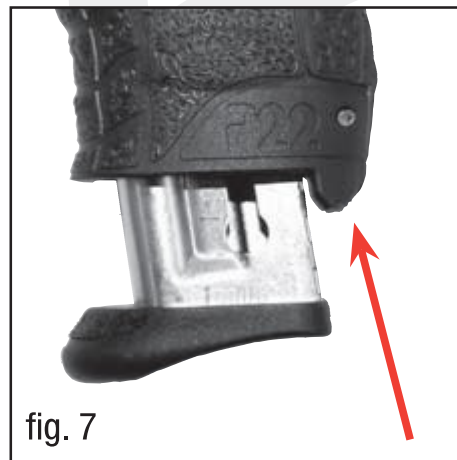
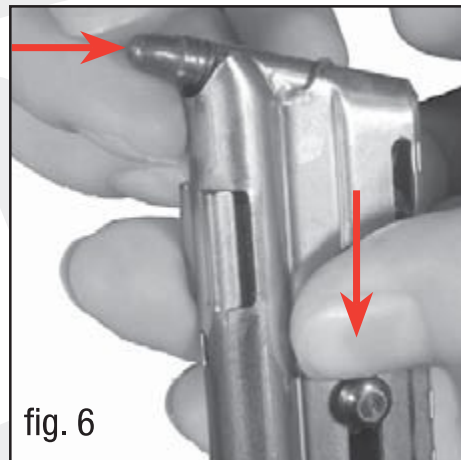
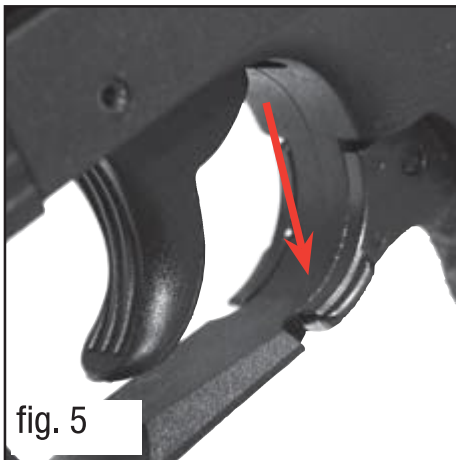
P22Q

3. LOADING THE PISTOL

3. Loading the pistol

Engage safety.

Press magazine release and remove empty magazine (fig. 5). Use the side-mounted button to press the follower down and insert a cartridge into the magazine lips (fig. 6). Do not use force. Damaged magazine lips will cause malfunctions and will render the weapon useless. Tap the back of the loaded magazine against the palm of your hand. Properly positioned spacing at the back of the loaded magazine improves functional performance. When a magazine is to be emptied, remove the cartridges one after the other by pushing toward the front of the magazine. Push the loaded magazine into the magazine well until the magazine catch locks it. (fig.7)





3. LOADING THE PISTOL

4. FIRING

3.1 Loading the chamber with the first cartridge

Pick up the gun with your shooting hand, hold it at an angle of approx. 45 degrees and point the muzzle in a safe direction. Use your other hand to retract and release the slide. As the slide travels forward it inserts the first round into the chamber. The hammer is now cocked. Leave the safety engaged until you really intend to fire.

! WARNING: YOUR GUN IS NOW READY TO FIRE. PER SAFETY INSTRUCTIONS, KEEP YOUR TRIGGER FINGER AWAY FROM TRIGGER UNTIL YOU REALLY INTEND TO FIRE.

If you do not fire your gun immediately after loading it, point the muzzle in a safe direction and decock the hammer.

4. Firing

You may fire this pistol in two different ways: double action or single action. to fire "double action" the gun is loaded but the hammer is not cocked. The trigger pull is approximately 12 pounds of force and .63 inches of travel. To fire "single action" means that the hammer is cocked before firing. The trigger pull is .16 inch of travel and 4.8 pound of force. The action of the slide then automatically reloads the pistol and cocks the hammer.

5. DECOCKING THE HAMMER 6. PISTOL WITH EMPTY MAGAZINE

5. Decocking the hammer

!WARNING:

KEEP THE PISTOL POINTING IN A SAFE DIRECTION WHEN DECOCKING IT SO THAT NO ONE IS ENDANGERED.

Point the muzzle in a safe direction. Do this before the first mention of "decock the hammer". Engage the safety.

Hold the hammer with your thumb, pull the trigger and let the hammer slowly travel forward.

6. Pistol with empty magazine

After the last round has been fired, the slide stop holds the slide in the open position.

Engage the safety. In case you intend to continue shooting, replace the empty magazine with a full one. Press the slide stop lever (fig. 8), the slide will travel forward and load the chamber with the first round. Try to refrain from slowing down the slide with your thumb when releasing the slide stop lever. You may find it more effective to drop the slide by pulling back the slide and releasing it. This will ensure a reliable closing of the slide. Keep your weapon in your shooting hand and pointed in a safe direction so that there is no danger to other persons.

!WARNING:

KEEP THE PISTOL POINTING IN A SAFE DIRECTION WHEN DECOCKING IT SO THAT NO ONE IS ENDANGERED.

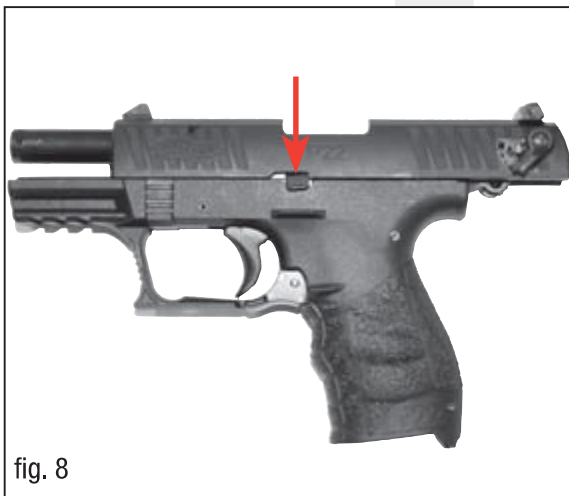


fig. 8



7. UNLOADING THE PISTOL 8. DISASSEMBLY AND REASSEMBLY OF THE PISTOL

7. Unloading the pistol

Point the muzzle in a safe direction. Place the manual safety in the safe position. Remove the magazine. Ensure that the chamber is empty by pulling back on the slide to visually inspect the chamber (fig. 9). Keep firearm pointed in a safe direction. Hold the hammer securely with your thumb, lightly pull the trigger and lower the hammer slowly forward.

! WARNING:

MAKE A VISUAL INSPECTION OF THE BARREL - IT MUST BE CLEAR!

8. Disassembly and reassembly of the pistol

It is not necessary to disassemble the pistol any further than as is described in this manual. Further disassembly, improper assembly, or disregard of these instructions will lead to loss of warranty, and under no circumstances will the manufacturer then be liable for damages to persons or property.

! WARNING:

PRIOR TO DISASSEMBLY, ENGAGE THE SAFETY, REMOVE THE MAGAZINE AND INSPECT THE FIREARM, TO MAKE SURE IT IS UNLOADED.

With the 5" version first remove the stabilizer (see page 14).

Press the takedown lever down and cock the hammer (fig. 10). Fully retract the slide, lift its rear section, and push slide forward off the receiver. Remove guide rod. Assembly is in reverse order.

P22Q

9. ADAPTION OF THE GRIP

9. Adaption of the grip

In order to adapt the grip of the weapon to your hand, the backstrap of the pistol can be changed. Remove the pin (as shown in fig. 11) with a punch, change the backstrap and reinsert the pin.



10. INTERCHANGEABLE BARREL

10. Interchangeable barrel

A 5 inch or 3.4 inch barrel is available as an accessory.

! WARNING:

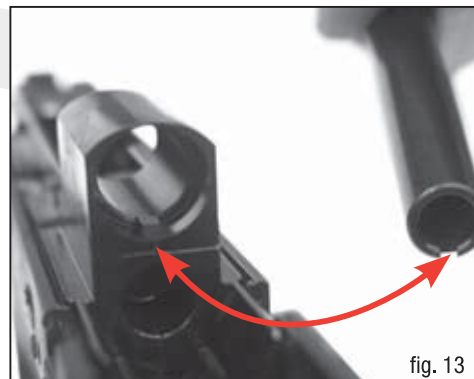
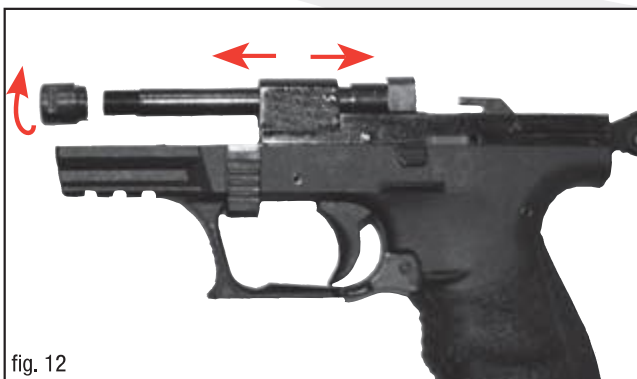
PRIOR TO A BARREL CHANGE, ENGAGE THE SAFETY, REMOVE THE MAGAZINE, AND MAKE SURE THAT THE WEAPON IS UNLOADED.

Push the takedown lever down, cock the hammer, and remove the slide.

Use the enclosed spanner wrench to release the barrel nut. Remove the barrel sleeve and pull the barrel to the rear out of the receiver (fig. 12).

Assembly is in reverse order.

When reassembling the barrel sleeve, make certain that the slot in the sleeve fits with the notch in the receiver (fig. 13). After that thread on the barrel nut. Hand tighten nut and use wrench for 1/4 turn more.



P22Q

10. INTERCHANGEABLE BARREL

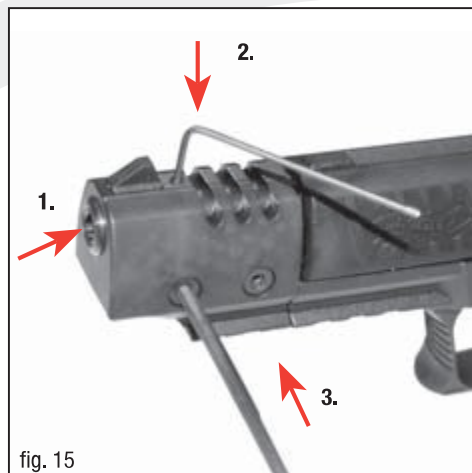
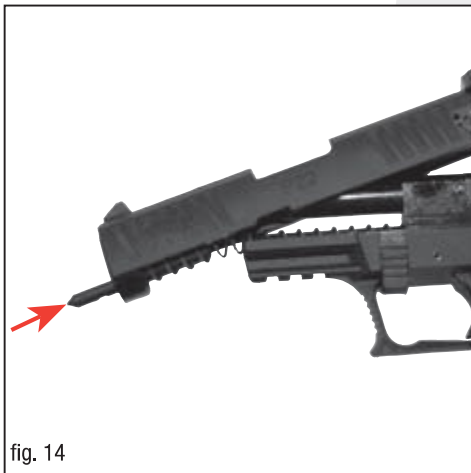
Install recoil spring. For running the slide onto the receiver, use the mounting pin no. 512.40.21.1 (fig 14).

Mount the stabilizer, locating it with the worm screw and securely attaching it with the stabilizer screws (fig. 15).

The front sight on the slide is to be replaced by a plug (512.70.07.1).

It is to be made sure that the barrel nut (fig. 15/ part no. 1) has been properly tightened before the stabilizer is mounted.
Should the stabilizer exhibit a loose fit on the barrel then make certain that the barrel nut is tightened.

To disassemble the stabilizer first remove the worm screw (fig. 15 / part no. 2) then release the stabilizer screws (fig. 15/ part no. 3).
Now remove the stabilizer.



11. SPECIAL ACCESSORIES

11. Special accessories

 <p>P22 Target Conversion Kit Allows the conversion from Standard to Target version. Barrel length 127 mm.</p> <p>art.-no.: 512. 506</p>	 <p>P22 Standard Conversion Kit Allows the conversion from Target to Standard version. Barrel length 87 mm</p> <p>art.-no.: 512.502</p>
 <p>Magazine incl. finger rest art.-no.: 512. 604</p> <p>short shoe (not illustrated) art.-no.: 512.602</p>	 <p>WALTHER laser The quick-release catch allows the laser to be mounted or removed instantly without the need for additional tools. LEDs on either side of the laser, illuminate indicating that the laser is on.</p> <p>art.-no.: 512.104</p>
 <p>Spanner wrench for barrel Tool to convert the barrel unit.</p> <p>art.-no.: 512.50.05.1</p>	
 <p>Red-dot-sight TOP POINT II The intensity of the dot can be regulated in 12 settings. Includes Weaver-style scope rings and dust caps.</p> <p>art.-no.: 267 61 50</p>	 <p>Bridge mount Fits the WALTHER Top Point II red-dotsight. Can be easily attached to the Weaver-style rail on the frame.</p> <p>art.-no.: 512.102</p>

12. CLEANING

13. STORAGE

12. Cleaning

In order to keep the pistol functional and to extend its service life, the Walther PPK/S should be cleaned and maintained at regular intervals.

! WARNING: ENGAGE THE SAFETY, REMOVE THE MAGAZINE, OPEN THE SLIDE, AND INSPECT THE CHAMBER TO MAKE SURE IT IS EMPTY.

Disassemble the Firearm; Remove fouling from breech, magazine lips, follower, and receiver with a brush and a cloth. Clean the barrel with an oil-soaked brush and then dry it with cleaning patches; always begin at the chamber. Repeat reassemble gun and check for proper function.

13. Storage

! WARNING: NEVER LEAVE A LOADED FIREARM UNATTENDED AND NEVER STORE YOUR FIREARM IN A LOADED POSITION.

Always store your pistol in an unloaded condition with the safety in the safe position. Keep the pistol and ammunition away from children and unauthorized persons. Firearms should be stored separately from ammunition.



14. REPAIR OF WALTHER PISTOLS

14. Repair of Walther Pistols



CAUTION

A FIREARM WHICH FAILS TO FUNCTION PROPERLY IS DANGEROUS. IT SHOULD BE SAFELY STORED IN A WAY THAT PREVENTS ITS USE UNTIL IT IS REPAIRED.



WARNING:

ONLY AN AUTHORIZED AND QUALIFIED GUNSMITH SHOULD INSPECT AND REPAIR YOUR FIREARM!

Do not repair or modify any parts on your Walthers PPK-S pistol. Failure to use a certified technician or OEM parts could lead to serious injury or death.



WARNING

THIS HANDGUN IS NOT EQUIPPED WITH A DEVICE THAT FULLY BLOCKS USE BY UNAUTHORIZED USERS. MORE THAN 200,000 FIREARMS LIKE THIS ONE ARE STOLEN FROM THEIR OWNERS EVERY YEAR IN THE UNITED STATES. IN ADDITION, THERE ARE MORE THAN A THOUSAND SUICIDES EACH YEAR BY YOUNGER CHILDREN AND TEENAGERS WHO GET ACCESS TO FIREARMS. HUNDREDS MORE DIE FROM ACCIDENTAL DISCHARGE. IT IS LIKELY THAT MANY MORE CHILDREN SUSTAIN SERIOUS WOUNDS OR INFLECT SUCH WOUNDS ACCIDENTALLY ON OTHERS. IN ORDER TO LIMIT THE CHANCE OF SUCH MISUSE, IT IS IMPERATIVE THAT YOU KEEP THIS WEAPON LOCKED IN A SECURE PLACE AND TAKE OTHER STEPS NECESSARY TO LIMIT THE POSSIBILITY OF THEFT OR ACCIDENT. FAILURE TO TAKE REASONABLE PREVENTATIVE STEPS MAY RESULT IN INNOCENT LIVES BEING LOST, AND IN SOME CIRCUMSTANCES MAY RESULT IN YOUR LIABILITY FOR THESE DEATHS.

P22Q

15. YEAR WARRANTY

15. YEAR WARRANTY

WALTHER warrants that the enclosed firearm was originally manufactured free of defects in material, workmanship and mechanical function.

LIMITED ONE YEAR WARRANTY

This firearms is warranted to the original owner for one (1) year from date of purchase against defects in material and workmanship and is not transferable.

WHAT IS COVERED

Replacement parts and labor.

WHAT IS NOT COVERED

Parts, labor, and shipping charges to WALTHER for defective product and damages caused by abuse or failure to perform normal maintenance as well as any other expense. Consequential damages, or incidental expenses, including damage to property. WALTHER will not be responsible for unauthorized adjustments or modifications, use of defective or improper ammunition, corrosion, criminal misuse, negligence, resale, careless handling, and/or use under the influence of drugs or alcohol. Some states do not allow the exclusion or limitation of incidental or consequential damages, so the above limitation or exclusion may not apply to you. WALTHER reserves the right to determine what constitutes ordinary wear and tear.

WARRANTY CLAIMS

Warranty Claims and Repair for U.S. customers. Call WALTHER +49 (0) 731 / 15 39 0 and ask for the Service Department. If it is determined a return is necessary, you will be issued a Firearm Return Authorization Number. Write this number boldly on the box and return the product prepaid to WALTHER. Your name, address, phone number and a note with the model name/number, serial number, and explanation of the defect found must be included with the firearm. A copy of the original dated cash register receipt, or a copy of ATF Form 4473, indicating date of purchase must accompany the return.



15. YEAR WARRANTY

IMPLIED WARRANTIES

Any implied warranties, including the implied warranties of merchantability and fitness for a particular purpose, are limited in duration to one (1) year from date of retail purchase. SOME STATES DO NOT ALLOW LIMITATIONS ON HOW LONG AN IMPLIED WARRANTY LASTS, SO THE ABOVE LIMITATIONS MAY NOT APPLY TO YOU. TO THE EXTENT ANY PROVISION OF THIS WARRANTY IS PROHIBITED BY FEDERAL STATE, OR MUNICIPAL LAW, WHICH CANNOT BE PREEMPTED, IT SHALL NOT BE APPLICABLE. THIS WARRANTY GIVES YOU SPECIFIC LEGAL RIGHTS, AND YOU MAY ALSO HAVE OTHER RIGHTS, WHICH VARY FROM STATE TO STATE AND COUNTRY TO COUNTRY.

UNDER NO CIRCUMSTANCES SHALL WALTHER AND CARL WALTHER GMBH BE RESPONSIBLE FOR INCIDENTAL OR CONSEQUENTIAL DAMAGES WITH RESPECT TO ECONOMIC LOSS, INJURY, DEATH OR PROPERTY DAMAGE, WHETHER AS A RESULT OF BREACH OF THIS WARRANTY, NEGLIGENCE OR OTHERWISE.



WARNING:

WHEN TRANSPORTING A FIREARM, MAKE SURE THAT IT IS UNLOADED AND THAT THE SAFETY IS IN THE SAFE POSITION.

Note: All liability is excluded in the event that the instructions and warnings in this manual are not observed.

CONTACT & SHIPPING



Carl WALTHER GmbH

Service

Postfach 4325

Im Lehrer Feld 1

Tel. +49 (0) 731 / 15 39 0

D - 89033 Ulm

D - 89081 Ulm

Fax +49 (0) 731 / 15 39 109

P22Q

15. YEAR WARRANTY

- Call or e-mail the Customer Service Dept. for authorization and shipping instructions.
- ENSURE THAT THE FIREARM IS UNLOADED.
- DO NOT SHIP ANY AMMUNITION.
- Enclose a letter which includes your full name and address (no P.O. Boxes, please), daytime telephone number, e-mail address, the serial number of the firearm, and details of the problem experienced (stating the brand and type of ammunition used when the problem occurred) or work desired.
- Record the serial number before shipping and retain in a secure place.
- Please remove all custom parts and accessories, such as stocks, special sights, or holsters from your firearm before returning.
- Place the handgun in its original case or in a similarly secure container and pack securely.
- When returning a pistol, please include all magazines ensuring they are unloaded; they are important to the proper function of the handgun.
- The package must NOT bear any markings which indicate the identity of the contents.
- It is most important that you comply with federal, state, and local laws and regulations. The following guidelines are meant to help, but you must seek assistance from the appropriate authorities if necessary.
- Do not attempt to ship a handgun via US Postal Service; only federally licensed dealers may ship a firearm by US Postal Service.



16. TECHNICAL DATA

caliber	.22 l.r.
action	blowback
trigger	DA / SA
trigger weight, normal (single action)	approx. 2.2 kg
trigger weight (double action)	approx. 5.6 kg
trigger travel (single action)	approx. 4 mm
trigger travel (double action)	approx. 16 mm
magazine capacity	10 rounds
dimensions (length/height/width)	160/114/28 (200/114/28)
barrel length	87 mm (127 mm)
sight length	130 mm (170 mm)
width of rear sight notch	4.5 mm
front sight width	3.6 mm
weight (with magazine)	480 g (575 g)



GEBRAUCHSANWEISUNG
P22Q

WALTHER[®]

EN

DE

FR

ES

IT



Selbstlade pistole Pistole
Cal. .22 l.r.



**LESEN SIE DIE ANWEISUNGEN UND WARNUNGEN IN
DIESER ANLEITUNG SORGFÄLTIG, BEVOR SIE DIESE
SCHUSSWAFFE BENUTZEN.**

Wichtige Hinweise für den Umgang mit Waffen

Gehen Sie davon aus, dass auch die sicherste Waffe durch unsachgemäßen Umgang für Sie und andere gefährlich werden kann. Machen Sie sich zunächst anhand der Bedienungsanleitung mit der Funktion und Handhabung der Waffe vertraut. Gehen Sie auch mit der ungeladenen Waffe so um, als wenn sie geladen wäre.

! ACHTUNG: **BEACHTEN SIE STETS: KEINEN FINGER AN DEN ABZUG, AUSSER ZUR GEWOLLTEN SCHUSSABGABE. HALTEN SIE DIE WAFFE IMMER SO, DASS SIE UND UNBETEILIGTE NICHT GEFÄHRDET SIND.**

Wenden Sie bei der Bedienung, beim Zerlegen und beim Zusammenbau nie Gewalt an. Sicherheit ist nur gewährleistet, solange sich die Waffe in einem Einwandfreiem Zustand befindet. Unsachgemäße Handhabung und mangelnde Pflege können die Funktion und Sicherheit der Waffe beeinträchtigen. Beachten Sie, dass die Waffe bei Einwirkung von außen, z.B. Korrosion, Herunterfallen usw., von einer fachkundigen Person überprüft werden muss. Unsachgemäße Eingriffe in den Mechanismus, durch Gewalt hervorgerufene Beschädigungen und Veränderung durch Dritte entbinden den Hersteller von jeglichen Gewährleistungs- und Garantieansprüchen. Arbeiten an der Waffe dürfen nur von autorisierten Fachleuten vorgenommen werden. Vergessen Sie selbst beim Übungsschießen nie den Gehörschutz und gegebenenfalls die Schutzbrille. Machen Sie Personen, die sich ausschließlich im rückwärtigen Bereich aufzuhalten haben, auf das Tragen eines Gehörschutzes aufmerksam.

INHALT

1. BEDIENELEMENTE	20 - 22
1.1. Manuelle Sicherung	20
1.2. Visierung	21
1.3. Fallsicherung	22
1.4. Ladezustandsanzeige	22
1.5. Magazinsicherung	22
2. PRÜFUNG VOR GEBRAUCH	23
3. PRÜFUNG NACH GEBRAUCH	23
4. LADEN DER PISTOLE	24
5. EINFÜHREN DER ERSTEN PATRONE	24
6. SCHIESSEN	25
7. ENTSPANNEN DES HAHNES	25
8. PISTOLE BEI LEERGESCHOSSEMEM MAGAZIN	26
9. ENTLADEN DER PISTOLE	26
10. MONTAGE / DEMONTAGE DER PISTOLE	27
11. ANPASSEN DES GRIFFES	34
12. WECHSELLAUFSYSTEM	35 - 36
13. SPEZIALZUBEHÖR	37
14. REINIGEN DER WAFFE	38
15. AUFBEWAHRUNG	38
16. REPARATUR	38
17. GARANTIE UND KONTAKT	39 - 40
18. TECHNISCHE DATEN	41

P22Q

1. BEDIENELEMENTE

! ACHTUNG:

VERLASSEN SIE SICH NIE AUF MECHANISCHE SICHERUNGEN -
DENKEN SIE VORRAUSSCHAUEND UND VERMEIDEN SIE
SITUATIONEN, DIE ZU EINEM UNFALL FÜHREN KÖNNTEN!

1.1 Manuelle Sicherung

Um die Waffe zu sichern, drehen Sie den Sicherungshebel, wie in Bild 1 dargestellt, in die untere Stellung.

GESICHERT - drehen Sie die Sicherung in die untere Position (Bild 1).

FEUERBEREIT - drehen Sie die Sicherung in die obere Position (Bild 2).



1. BEDIENELEMENTE

1.2 Visierung

Das Korn ist austauschbar für die Höhenverstellung und das Visier ist seitenverstellbar.

Seitliche Verstellung:

Bei Rechtsschuss Visierschraube nach rechts, bei Linksschuss nach links drehen (Bild 3).

Höhenverstellung:

Durch Einsetzen verschieden hoher Krone wird die Höhe justiert.

Bei Tiefschuss wird ein niedrigeres, bei Hochschuss ein höheres Korn verwendet.

Korn zum Austauschen mit einem Schraubenzieher von unten aus dem Verschluss drücken.



P22Q

1. BEDIENELEMENTE

1.3 Fallsicherung

Die Sicherung wirkt beim Fall der Pistole aus unterschiedlichen Fallhöhen und Fallpositionen. Sie verhindert ein ungewolltes Zünden der Patrone, wenn der Abzug nicht durchgezogen ist.

! ACHTUNG:

VERLASSEN SIE SICH NIE AUF MECHANISCHE SICHERUNGEN - DENKEN SIE VORRAUSSCHAUEND UND VERMEIDEN SIE SITUATIONEN, DIE ZU EINEM UNFALL FÜHREN KÖNNTEN!

Bild 4



1.4 Ladezustandsanzeige

Durch einen kleinen Schlitz oben am Verschluss läßt sich überprüfen, ob sich eine Patrone im Patronenlager befindet (Bild 4).

1.5 Magazinsicherung

Ohne eingerastetes Magazin ist die P22 durch die Magazinsicherung gegen Schussabgabe gesichert. Eine Patrone im Patronenlager kann nicht gezündet werden.

! ACHTUNG:

SOLL NICHT WEITERGESCHOSSEN WERDEN, ENTNEHMEN SIE DAS MAGAZIN UND ÜBERPRÜFEN SIE, OB SICH NOCH EINE PATRONE IM PATRONENLAGER BEFINDET!

2 Prüfung vor Gebrauch

⚠ ACHTUNG:

STELLEN SIE SICHER, DASS DIE PISTOLE GESICHERT UND ENTLADEN IST (LAUF FREI, PATRONENLAGER FREI, MAGAZIN LEER).

Funktionsprüfung

1. Magazin entnehmen, Verschluss bis zum Anschlag zurückziehen. Nach Loslassen des Verschlusses muss ihn die Schließfeder wieder in seine vordere Stellung bringen.
2. Leeres Magazin einsetzen, Verschluss bis zum Anschlag zurückziehen. Der Verschluss muss in hinterer Stellung gefangen werden.
3. Magazin entnehmen, Verschluss etwas zurückziehen. Nach Loslassen des Verschlusses muss ihn die Schließfeder wieder in seine vordere Stellung bringen.
4. Zum Entspannen leeres Magazin einsetzen, mit dem Daumen den Hahn festhalten, Abzug betätigen und den Hahn langsam nach vorne gleiten lassen.
5. Leeres Magazin einsetzen, Verschluss bis zum Anschlag zurückziehen. Der Verschluss muß in hinterer Stellung gefangen werden.
6. Verschlussfanghebel wieder nach unten drücken. Die Schließfeder muß den Verschluss wieder in seine vordere Stellung bringen. Hahn entspannen.
7. Magazin entnehmen, Abzug zurückziehen. Der Schlagmechanismus darf nicht ausgelöst werden.

3 Prüfung nach Gebrauch

⚠ ACHTUNG:

VERGEWISSERN SIE SICH, DASS DIE PISTOLE NACH GEBRAUCH GESICHERT, ENTLADEN (LAUF UND PATRONENLAGER FREI) UND DAS MAGAZIN LEER IST. HAHN ENTSPANNEN.

⚠ ACHTUNG:

LESEN SIE DIE BEDIENUNGSANLEITUNG VOLLSTÄNDIG DURCH, BEVOR SIE IHRE WAFFE LADEN. BEI VERWENDUNG VON ZU SCHWACHER MUNITION KÖNNEN FUNKTIONSTÖRUNGEN BEI DER WAFFE AUFTRETEN. UM SCHÄDEN AN PERSONEN UND DER WAFFE ZU VERMEIDEN, IST DIE MUNITION ZU VERWENDEN, DIE DEM SAAMI- BZW. DEM CIP-STANDARD ENTSPRICHT.

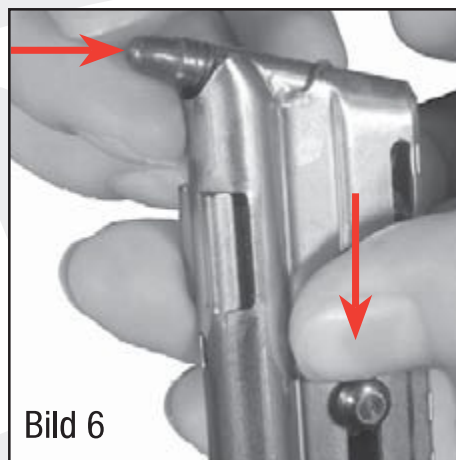
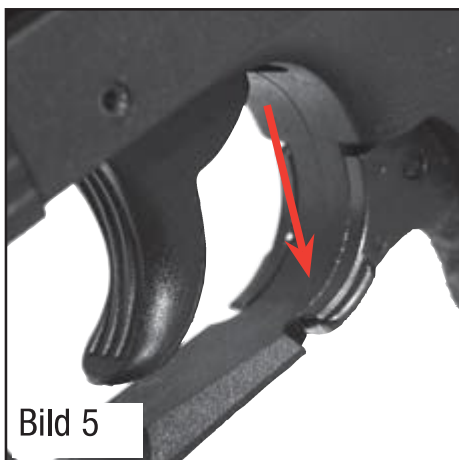
P22Q

4. LADEN DER PISTOLE

4 Laden der Pistole

Sichern Sie die Waffe.

Magazinhalter drücken und leeres Magazin herausnehmen (Bild 5). Schieben Sie die Patrone unter die Magazinlippen (Bild 6). Keine Gewalt anwenden. Beschädigte Magazinlippen führen zu Funktionsstörungen und damit zum Ausfall der Waffe. Das gefüllte Magazin mit dem Rücken gegen die Handfläche schlagen, durch das Ausrichten der Patronen werden Zuführfehler vermieden. Beim Entleeren des Magazins Patronen einzeln nach vorne herausschieben. Gefülltes Magazin bis zum Einrasten des Magazinhalters in die Pistole einschieben (Bild 7).



5. EINFÜHREN DER ERSTEN PATRONE 6. SCHIESSEN



5 Einführen der ersten Patrone in das Patronenlager

Waffe in die Schießhand nehmen und dabei schräg nach unten halten, so dass eine Gefährdung von Personen ausgeschlossen ist. Mit der freien Hand Verschluss ganz zurückziehen und loslassen. Der Verschluss schnell nach vorne, die erste Patrone wird in das Patronenlager eingeführt. Lassen Sie die Waffe gesichert, bis geschossen werden soll.

⚠ ACHTUNG: HALTEN SIE NIEMALS IHRE HAND VOR DIE MÜNDUNG.

⚠ ACHTUNG: KEINEN FINGER AM ABZUG, SICHERHEIT BEACHTEN, DIE PISTOLE IST FERTIG GELADEN. WIRD NICHT SOFORT GESCHOSSEN, HAHN VON HAND ENTSPANNEN.

6 Schießen

Sie können auf zwei Arten schießen: Mit „Double Action“ oder mit „Single Action“.

Mit „Double Action“ schießen heißt, bei durchgeladener Waffe und entspanntem Hahn, Abzug durchziehen bis der Schuss bricht.

Mit „Single Action“ schießen heißt, dass der Hahn bei durchgeladener Waffe von Hand gespannt wird. Durch die Repetierbewegung des Verschlusses wird automatisch eine neue Patrone nachgeladen und der Hahn gespannt.

⚠ ACHTUNG: ZUM ENTSPANNEN IST DIE WAFFE SO ZU HALTEN, DASS EINE GEFÄHRDUNG VON PERSONEN AUSGESCHLOSSEN IST.

7. ENTSPANNEN DES HAHNES 8. PISTOLE BEI LEERGESCHOSSENEM MAGAZIN

7 Entspannen des Hahnes

Sichern Sie Ihre Waffe. Halten Sie mit dem Daumen den Hahn fest, betätigen Sie den Abzug und lassen Sie den Hahn langsam nach vorne gleiten.

8 Pistole bei leergeschossenem Magazin

Nach dem Verschießen der letzten Patrone wird der Verschluss durch den Fanghebel in geöffneter Stellung gehalten. Sichern Sie Ihre Waffe.

Soll weitergeschossen werden, leeres Magazin durch ein gefülltes Magazin ersetzen. Betätigen Sie den Verschlussfanghebel (Bild 8), der Verschluss schnell nach vorne und lädt die erste Patrone ins Patronenlager. Waffe dabei in die Schießhand nehmen und schräg nach unten halten, so dass eine Gefährdung von Personen ausgeschlossen ist.

⚠ ACHTUNG:

DABEI KEINEN FINGER AM ABZUG, SICHERHEIT BEACHTEN, DIE PISTOLE IST FERTIG GELADEN.

Wird nicht weitergeschossen, Waffe sichern, Magazin herausnehmen, überprüfen, dass sich keine Patrone mehr im Patronenlager befindet (Bild 9), Verschluss schließen und Hahn entspannen.

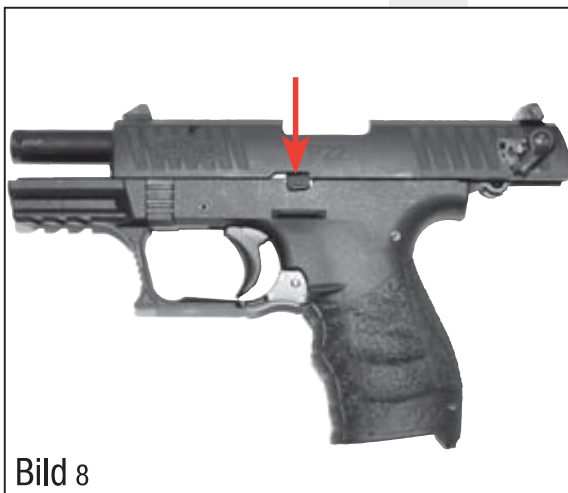


Bild 8

9. ENTLADEN DER PISTOLE 10. MONTAGE UND DEMONTAGE DER PISTOLE



9 Entladen der Pistole

Waffe sichern. Magazin entnehmen und den Verschluss bis zum Anschlag zurückziehen. Die im Patronenlager befindliche Patrone wird ausgezogen und ausgeworfen.

⚠ ACHTUNG:

SICHTKONTROLLE, OB LAUF FREI! VERSCHLUSS VORGLEITEN LASSEN UND HAHN ENTSPANNEN.

10 Montage und Demontage der Pistole

Die Waffe darf nicht weiter demontiert werden als in vorliegender Bedienungsanleitung angeführt. Weitere Demontage, unsachgemäße Montage und Nichtbeachtung der Bedienungsanleitung entbinden den Hersteller hinsichtlich entstandener Personen- und Sachschäden von jeglichen Gewährleistungsansprüchen.

⚠ ACHTUNG:

DAZU WAFFE SICHERN, MAGAZIN HERAUSNEHMEN UND KONTROLLIEREN, OB DIE WAFFE ENTLADEN IST.

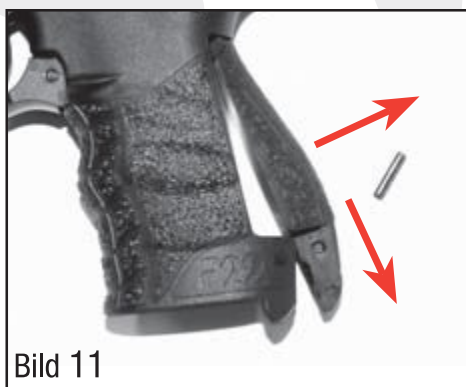
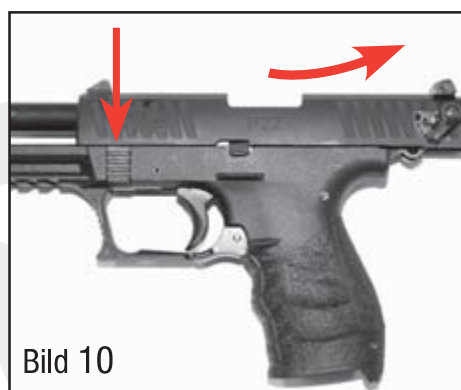
Bei der 5“-Version entfernen Sie zuerst das Laufgewicht (Siehe Seite 36). Ziehen Sie den Montagebügel nach unten und spannen Sie den Hahn. Verschluss bis Anschlag zurückziehen, hinten anheben und nach vorne abgleiten lassen. Führungsstange entnehmen (Bild 10). Das Zusammensetzen geschieht in umgekehrter Reihenfolge.

P22Q

11. ANPASSEN DES GRIFFES

11 Anpassen des Griffes

Um den Griff der Waffe optimal an die Hand anpassen zu können, besteht die Möglichkeit, den Griff Rücken auszutauschen. Dazu wird der Stift, wie in Bild 11 dargestellt, mit einem Werkzeug ausgedrückt und nach dem Einbau des Griff Rückens wieder eingesetzt.



12 Wechsellaufsystem

Für die P22 ist ein Wechsellaufsystem mit Laufgewicht erhältlich.

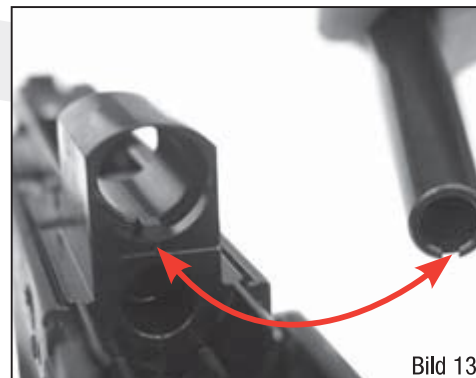
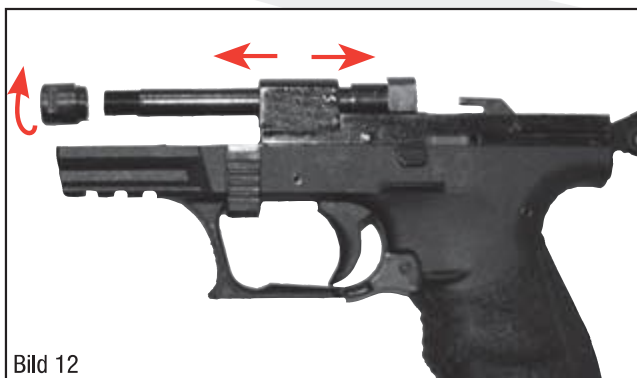
!ACHTUNG:

VOR DEM LAUFWECHSEL WAFFE SICHERN, MAGAZIN HERAUSNEHMEN UND KONTROLLIEREN, OB DIE WAFFE ENTLADEN IST.

Ziehen Sie den Montagebügel nach unten, spannen Sie den Hahn und demontieren Sie den Verschluss (Bild 10).

Mit dem beiliegenden Maulschlüssel lösen Sie die Laufmutter. Entnehmen Sie den Laufmantel und ziehen Sie den Lauf nach hinten aus dem Systemgehäuse (Bild 12).

Bei der Montage des Laufmantels achten Sie darauf, dass der Nocken in dem Systemgehäuse in die Nut des Laufmantels einrastet (Bild 13). Anschließend fixieren Sie die Laufmutter erneut.



P22Q

12. WECHSELLAUFSYSTEM

Das Zusammensetzen geschieht in umgekehrter Reihenfolge. Bauen Sie die Verschlussfeder 2668904 ein. Beim Aufziehen des Verschlusses benutzen Sie den Montagestift 512.40.21.1 (Bild 14).

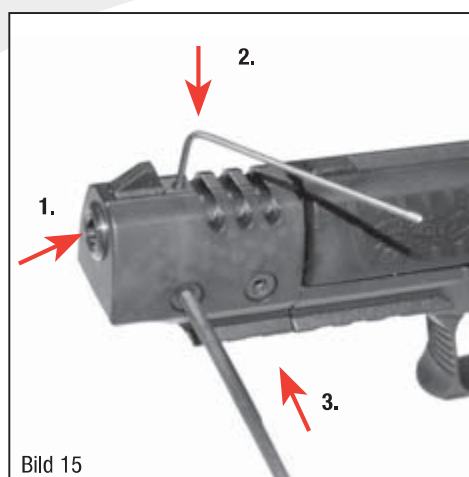
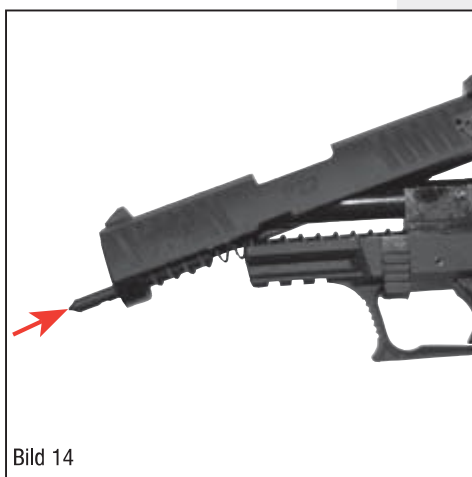
Stecken Sie das Laufgewicht auf und fixieren Sie es mit dem Gewindestift und klemmen Sie es mit den Schrauben fest (Bild 15).

Das Korn aus dem Verschluss ist durch einen Blindstopfen zu ersetzen.

Vor der Montage des Laufgewichts muss sichergestellt sein, dass die Laufmutter (Bild 12) fest angezogen ist. Sollte das Laufgewicht locker sitzen, so ist zuerst der feste Sitz der Laufmutter zu überprüfen.

Um das Laufgewicht zu demontieren, entfernen Sie zuerst den Gewindestift (Bild 15/2.), dann lösen Sie die Schrauben (Bild 15/3.)

Nun können Sie das Laufgewicht abziehen.



13 Zubehör

 <p>Wechselsystem Target Ermöglicht den Umbau der Standard- in die Target Version mit Laufgewicht Lauflänge 127 mm. Art.-Nr.: 512.506</p>	 <p>Wechselsystem Standard Ermöglicht den Umbau der Target- in die Standard Version. Lauflänge 87 mm Art.-Nr.: 512.502</p>
 <p>Magazin mit Verlängerung Art.-Nr.: 512.604 (s. Abbildung) ohne Verlängerung Art.-Nr.: 512.602 (ohne Abb.)</p>	 <p>Laser Der „Quick Release“-Verschluss erlaubt sekundenschnelles Auf- und Abmontieren des Lasers. Durch beidseitig angebrachte Leuchtdioden ist der Betriebszustand jederzeit erkennbar. Art.-Nr.: 512.104</p>
 <p>Maulschlüssel Zur Montage und Demontage des Wechselsystems. Art.-Nr.: 512.50.05.1</p>	 <p>Brückenmontage Passend für WALTHER Top Point II Leuchtpunktzielgerät. Lässt sich problemlos an der Weaver-Schiene am Griffstück der P22 befestigen. Art.-Nr.: 512.102</p>
 <p>Walther TOP POINT II Helligkeit des Leuchtpunktes in 12 Stufen regulierbar, mit Weaver-Ringmontage und Staubschutzkappen. Art.-Nr.: 267 61 50</p>	

14. REINIGEN DER WAFFE
15. AUFBEWAHRUNG
16. REPARATUR

14 Reinigen der Waffe

Um die Funktionssicherheit zu erhalten und die Lebensdauer zu erhöhen, sollte die Waffe regelmäßig gereinigt und gepflegt werden.

⚠ ACHTUNG: SICHERN SIE IHRE WAFFE, MAGAZIN ENTNEHMEN, SCHLITTEN ÖFFNEN UND LAUF UND PATRONENLAGER KONTROLLIEREN.

Waffe demontieren und verschmutzte Teile an Verschluss, Magazinlippen, Zubringer und Griffstück mit Reinigungsbürste und Putzlappen säubern. Reinigung des Laufes mit ölgetränkter Reinigungsbürste und anschließend Reinigungsdochte, von der Patronenlagerseite beginnend mehrfach durchziehen. Metallteile leicht einölen. Waffe wieder montieren und auf Gängigkeit und einwandfreie Funktion überprüfen.

15 Aufbewahrung

⚠ ACHTUNG: NIEMALS EINE GELADENE WAFFE LIEGEN LASSEN!

Aufbewahrung und Lagerung Ihrer Waffe sollten nur in ungeladenem und gesichertem Zustand geschehen.

Waffe von Kindern und ungeübten Benutzern fern halten. Munition von der Pistole getrennt aufbewahren.

16 Reparatur

Eine Waffe, die nicht einwandfrei funktioniert, ist gefährlich. Sie sollten sicher aufbewahrt werden, damit sie niemand benutzt, bevor sie repariert wurde. Es ist schwierig, eine Waffe selbst zu reparieren, und ein falscher Zusammenbau kann zu gefährlichen Funktionsstörungen führen.

⚠ ACHTUNG: LASSEN SIE DIE WAFFE NUR VON EINEM AUTORISIERTEN FACHHÄNDLER/BÜCHSENMACHER ÜBERPRÜFEN UND REPARIEREN.

17 Garantie

Innerhalb der ersten zwei Jahre nach dem Kauf übernimmt WALTHER die kostenlose Reparatur oder den Austausch Ihrer Waffe, falls der Defekt nicht durch Fehlbedienung oder Fahrlässigkeit verursacht worden ist.

Die Garantie von WALTHER-Waffen bezieht sich auf Material und Verarbeitung. Bei schriftlicher Benachrichtigung der Firma WALTHER durch den Erstbesitzer innerhalb zwei Jahre nach Kaufdatum und nach Eingang der Waffe zu den u.g. Bedingungen wird der Defekt kostenfrei innerhalb der üblichen Zeit behoben.

Die betreffende Waffe sollte möglichst in der Originalverpackung an den WALTHER-Service gesendet werden. Beachten Sie die waffenrechtlichen Vorschriften zum Transport bzw. Versand. Ausserdem müssen Garantieansprüche (in Schriftform) sowie eine Kopie des Kaufbelegs mit dem Namen des Eigentümers beigelegt werden, aus dem das Kaufdatum ersichtlich ist.



ACHTUNG:

WICHTIG! STELLEN SIE SICHER, DASS DIE WAFFE ENTLADEN UND DIE SICHERUNG AKTIVIERT IST, WENN SIE EINE WAFFE TRANSPORTIEREN.

Garantiemeldungen sollten das Waffenmodell und die Seriennummer der betroffenen Waffe und eine Beschreibung der Störung enthalten. Es wird empfohlen, den Versand durch den Eigentümer zu versichern, da WALTHER keine Verantwortung für den Verlust oder eine Beschädigung während des Transports übernimmt. Transport- und Versicherungskosten für den Rückversand zum Eigentümer werden von WALTHER getragen, wenn es sich bei der Beanstandung um einen Garantiefall handelt.

Diese Garantie ist beschränkt und ersetzt bisherige und alle anderen Garantiebestimmungen, auch mündliche oder stillschweigende.

Die Gewährleistung, die allgemeine Gebrauchstauglichkeit oder die Tauglichkeit für einen speziellen Zweck werden nicht zugesichert, wobei jegliche Haftung durch Verletzung der gesetzlichen Gewährleistung oder gesetzlicher Bestimmungen ausgeschlossen ist.

Unter keinen Umständen übernimmt WALTHER die Verantwortung für Neben- oder Folgeschäden, unabhängig davon, ob es sich um finanzielle Schäden, Verletzungen, Tod oder Sachbeschädigung handelt, soweit diese durch Verletzung dieser Gewährleistungspflicht, Nachlässigkeit oder sonstiges ausgelöst worden sind.

P22Q

17. GARANTIE

WALTHER übernimmt keine Haftung für:

- Fehler oder Störungen, verursacht durch fahrlässige Bedienung, unberechtigte Anpassungen oder Veränderungen durch Personen, die nicht qualifizierte Büchsenmacher sind und durch WALTHER autorisierte Verfahren anwenden, oder durch das Zerlegen über das in dieser Anleitung beschriebene Maß hinaus.
- Benutzung von schadhafter oder falscher Munition, Korrosion, mangelnde Pflege, Missbrauch, üblicher Verschleiß oder übermäßige Benutzung.
- Krimineller Missbrauch, Fahrlässigkeit, Veräußerung, Benutzung unter Einfluss von Drogen oder Alkohol.

WALTHER behält sich das Recht vor darüber zu entscheiden, was normale Abnutzung ist. Diese Garantie gibt Ihnen genau abgegrenzte Rechte. Es können auch weitere Rechte für Sie zutreffen, die von Land zu Land unterschiedlich sein können. Hinweis: Jedwede Haftung wird ausgeschlossen, falls die Hinweise in dieser Bedienungsanleitung nicht eingehalten werden.

ADRESSE UND VERSANDANSCHRIFT



Carl WALTHER GmbH

Service

Postfach 4325

Im Lehrer Feld 1

Tel. +49 (0) 731 / 15 39 0

D - 89033 Ulm

D - 89081 Ulm

Fax +49 (0) 731 / 15 39 109



18. TECHNISCHE DATEN

Kaliber	.22 l.r.
Verriegelungsart	Feder-Masse-Verschluss
Abzugprinzip	DA / SA
Normalabzugskraft (Single Action)	ca. 2.2 kg
Spannabzugskraft (Double Action)	ca 5.6 kg
Abzugsweg Normalabzug (Single Action)	ca. 4 mm
Abzugsweg Spannabzug (Double Action)	ca. 16 mm
Magazinkapazität	10 Schuss
Maße (L/H/B)	160/114/28 (200/114/28)
Lauflänge	87 mm (127 mm)
Visierlänge	130 mm (170 mm)
Kimmenbreite	4.5 mm
Kornbreite	3.6 mm
Gewicht mit Magazin	480 g (575 g)



MODE D'EMPLOI
P22Q

WALTHER[®]

EN

DE

FR

ES

IT



Pistolet automatique
Cal. .22 l.r.



**VEUILLEZ LIRE ATTENTIVEMENT LES CONSIGNES ET
AVERTISSEMENTS FIGURANT DANS LE PRÉSENT MODE
D'EMPLOI AVANT D'UTILISER CETTE ARME À FEU.**

P22Q

Indications importantes sur le comportement avec des armes

Partez de la base de ce que même l'arme la plus sûre peut devenir dangereuse pour vous et pour d'autres à force d'un emploi incorrect.

Familiarisez-vous d'abord à moyen du mode d'emploi avec la fonction et le maniement de l'arme
Manier l'arme non chargée comme si elle était chargée.



ATTENTION:

RESPECTEZ TOUJOURS: JAMAIS UN DOIGT DOIT ÊTRE AU NIVEAU DE LA DÉTENTE, EN DEHORS DU TIR VOULU. TENEZ L'ARME TOUJOURS DE FAÇON QUE DES PERSONNES N'AYANT POINT PART NE SOIENT PAS MISES EN DANGER.

N'utilisez jamais de la violence en maniant, en démontant et en montant . La sécurité n'est garantie que si l'arme se trouve dans un état de sécurité impeccable.

Un maniement inexpert et un entretien faisant défaut peuvent porter atteinte à la fonction et à la sécurité de l'arme.

Prenez en considération qu'en cas d'influences extérieures, par exemple corrosion, chute par terre et cætera, l'arme doit être contrôlée par un spécialiste.

Des manipulations incorrectes du mécanisme, des détériorations provoquées par la violence et des modifications provoquées par des personnes tierces dispensent le fabricant de toute revendication de garantie. Des travaux au niveau d'armes ne doivent pas être entreprises que par des spécialistes autorisés.

SOMMAIRE

1. MANIEMENT DES SÛRETÉS	46 - 48
1.1. Sûreté manuelle	46
1.2. Dispositif de visée	47
1.3. Sûreté contre les choc	48
1.4. Indicateur de chargement	48
1.5. Sécurité de chargeur	46
2. Contrôles avant	49
3. après l'emploi	49
4. Approvisionnement du pistolet	50
5. Chargement du pistolet	51
6. Tir	51
7. Détendre le chien	52
8. Après le tir de la dernière cartouche	52
9. Déchargement du pistolet	53
10. Démontage / remontage de l'arme	53
11. Ajustement de la poignée	54
12. Système de canon interchangeable	55 - 56
13. Accessoires spéciaux	57
14. Nettoyage	58
15. Garde	58
16. Réparation	58
17. Garantie	59 - 60
18. Données techniques	61

P22Q

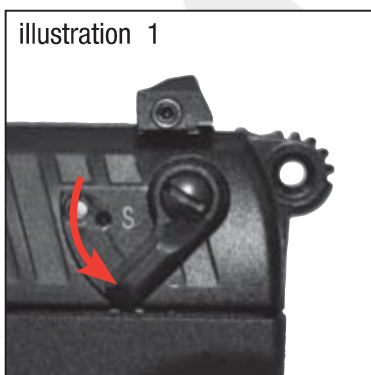
1. MANIEMENT DES SÛRETÉS

1.1 Sûreté manuelle

Pour mettre l'arme en sûreté, tournez le levier de sûreté vers le bas, comme indiqué dans l'illustration 1.

SÛRETÉ ENCLENCHÉE - poussez la sûreté vers le bas (fig. 1).

POSITION DE TIR - poussez la sûreté vers le haut (fig. 2).



1. MANIEMENT DES SÛRETÉS

1.2 Réglage des organes de visée

Le réglage en site se fait par l'intermédiaire du guidon.
Le réglage en dérive se fait par l'intermédiaire de la hausse.

Réglage en dérive (illustration 3)

Pour déplacer le tir vers la gauche, tourner la vis de la hausse dans le sens horaire (visser). Pour déplacer le tir vers la droite, tourner le vis de hausse dans le sens anti-horaire (dévisser).

Réglage en site

Le réglage en site (hauteur) se fait par le remplacement du guidon. Pour monter le tir, installer un guidon plus bas.

Pour baisser le tir, installer un guidon plus haut.

Pour remplacer le guidon, le sortir de la culasse en le poussant par le bas à l'aide d'un tournevis.

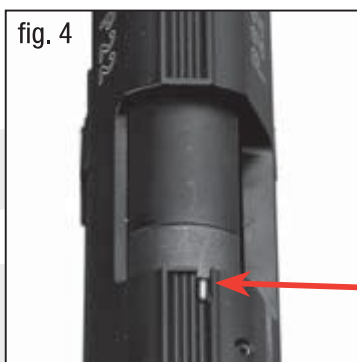


P22Q

1. MANIEMENT DES SÛRETÉS

1.3 Sûreté contre les choc

La sûreté contre les chocs (sécurité de percuteur) n'est désactivée que par la pression du doigt sur la détente. En cas de décrochage du chien suite à un choc, la percussion ne serait pas possible.



1.4 Indicateur de chargement

À moyen d'une petite fente au niveau de la partie supérieure de la culasse il est possible de vérifier s'il se trouve une cartouche dans la chambre (illustration 4).

ATTENTION:

NE VOUS FIEZ JAMAIS À DES SÛRETÉS MÉCANIQUES - PENSEZ DE MANIÈRE PRÉVOYANTE ET ÉVITEZ DES SITUATIONS QUI POURRAIENT MENER À UN ACCIDENT!

1.5 Sécurité de chargeur

La sécurité de chargeur interdit le tir si celui-ci n'est pas introduit dans l'arme. Une cartouche dans la chambre ne peut pas être amorcée.

ATTENTION:

SI VOUS ENLEVEZ LE MAGASIN ET SI VOUS N'AVEZ PAS L'INTENTION DE CONTINUER DE TIRER, CONTRÔLEZ MALGRÉ LA SÛRETÉ S'IL SE TROUVE ENCORE UNE CARTOUCHE DANS LA CHAMBRE!

2. CONTRÔLES AVANT 3. APRÈS L'EMPLOI



2 Contrôles avant l'emploi



ATTENTION:

GARANTISSEZ QUE LE PISTOLET SERA ARRÊTÉ ET DÉCHARGÉ AVANT LE CONTRÔLE (CANON LIBRE, CHAMBRE LIBRE, MAGASIN LIBRE).

Contrôle de fonctionnement

1. Retirer le chargeur, tirer la culasse en arrière et la lâcher, elle doit se refermer librement.
2. Introduire un chargeur vide, tirer la culasse en arrière, l'arrêteur de culasse doit l'y maintenir en position ouverte.
3. Retirer le chargeur, tirer légèrement la culasse en arrière et la lâcher, elle doit alors se refermer librement.
4. Pour désarmer le chien, introduire le chargeur vide, maintenir le chien avec le pouce tout en pressant la détente, et le ramener en position de repos.
5. Tirer la culasse en arrière, jusqu'à son accrochage par l'arrêteur de culasse.
6. Du pouce, actionner l'arrêteur de culasse vers le bas, la culasse doit alors revenir en avant.
7. Retirer le chargeur, presser la détente, le chien ne doit pas décrocher.

3 Contrôle après l'emploi



ATTENTION:

ASSUREZ-VOUS DE CE QUE LE PISTOLET SERA ARRÊTÉ, DÉCHARGÉ (CANON ET CHAMBRE LIBRES) ET DE CE QUE LE MAGASIN SOIT LIBRE APRÈS EMPLOI. DÉTENDRE LE CHIEN.



ATTENTION:

LISEZ ENTIÈREMENT LE MODE D'EMPLOI AVANT DE CHARGER VOTRE ARME. EN CAS D'EMPLOI D'UNE MUNITION TROP FAIBLE DES PERTURBATIONS DE FONCTIONNEMENT PEUVENT SURGIR AU NIVEAU DE L'ARME. AFIN D'ÉVITER DES DOMMAGES CHEZ DES PERSONNES ET SUR L'ARME IL FAUT UTILISER EXCLUSIVEMENT DE LA MUNITION QUI CORRESPOND À LA NORME SAAMI, RESPECTIVEMENT À LA NORME CIP.

P22Q

4 APPROVISIONNEMENT

4 Approvisionnement du pistolet

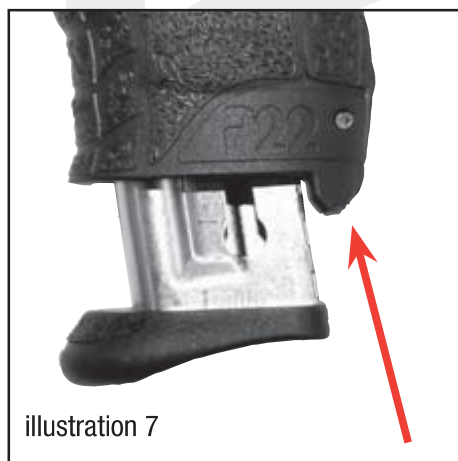
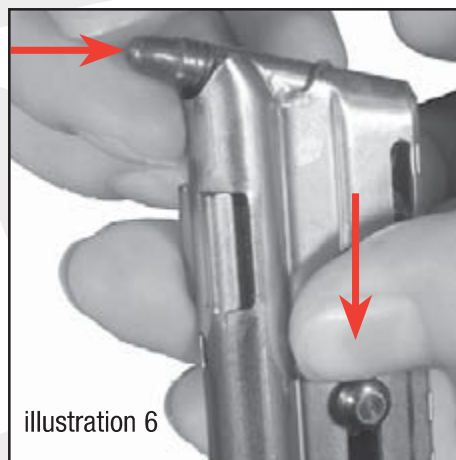
Pousser l'arrêteur de chargeur vers le bas, et retirer ce dernier (illustration 5).

A l'aide du bouton latéral, presser l'élévateur vers le bas et introduire les cartouches dans le chargeur (illustration 6). Ne pas forcer. Des lèvres de chargeur endommagées mènent à des incidents de tir et nuisent à la fiabilité de l'arme. Frappez le chargeur rempli avec le dos contre la paume, grâce à l'ajustage des cartouches des défauts d'alimentation sont évités.

Pour vider le chargeur, pousser les cartouches vers l'avant l'une après l'autre.

Introduire le chargeur approvisionné dans le pistolet jusqu'à son accrochage (illustration 7).

Le pistolet est approvisionné.



5. CHARGEMENT DU PISTOLET

6. TIR



5 Chargement du pistolet

Tenir le pistolet par la poignée, orienté dans une direction non-dangereuse, l'index hors du pontet. Avec l'autre main, tirer la culasse en arrière et la lâcher. Lors de son retour en avant, elle prélève la première cartouche du chargeur et l'introduit dans la chambre. Le pistolet est chargé.

⚠ ATTENTION:

NE METTEZ EN AUCUN CAS LA MAIN DEVANT LA BOUCHE DU CANON.

⚠ ATTENTION:

JAMAIS UN DOIGT DOIT ÊTRE AU NIVEAU DE LA DÉTENTE, RESPECTEZ LA SÉCURITÉ, LE PISTOLET EST MAINTENANT CHARGÉ.

Si vous ne tirez pas immédiatement, détendez le chien manuellement.

6 Tir

Le tir de la première cartouche peut s'effectuer de 2 manières: en simple ou double action. Pour effectuer un tir en double action, il faut préalablement mettre le chien en position de repos (désarmé), en le maintenant avec la pouce après avoir engagé la sûreté manuelle. Tirer „Single Action“ veut dire que le chien est tendu manuellement-l'arme étant chargée-Par le mouvement de répétition de la culasse une nouvelle cartouche est chargée en surplus et le chien est tendu.

7. DÉTENDRE LE CHIEN

8. APRÈS LE TIR DE LA DERNIÈRE CARTOUCHE

7 Détendre le chien

Arrêtez votre arme, retenez le chien avec le pouce, maniez la détente et faites glisser le chien lentement en avant.

ATTENTION: AFIN DE DÉTENDRE IL FAUT TENIR L'ARME DE FAÇON QUE DES PERSONNES NE SOIENT PAS MISES EN PÉRIL.

8 Après le tir de la dernière cartouche

La culasse étant maintenue en arrière par son arrêtoir, si vous souhaitez continuer le tir, introduisez un chargeur approvisionné, et libérez la culasse en agissant sur l'arrêtoir (illustration 8).

Le pistolet est alors à nouveau approvisionné et prêt à tirer.

Si vous ne souhaitez pas reprendre le tir, assurez-vous que le pistolet est vide par l'inspection visuelle de la chambre et du chargeur par la fenêtre d'éjection (illustration 10), refermez la culasse et désarmez le chien en la maintenant avec le pouce après avoir engagé la sûreté manuelle.

ATTENTION: JAMAIS UN DOIGT DOIT ÊTRE AU NIVEAU DE LA DÉTENTE, RESPECTEZ LA SÉCURITÉ, LE PISTOLET EST MAINTENANT CHARGÉ.

Si vous arrêtez de tirer, enclenchez la sûreté, retirez le chargeur, vérifiez qu'aucune munition ne se trouve dans la boîte de culasse (illustration 9), fermez la culasse et désarmez le chien.

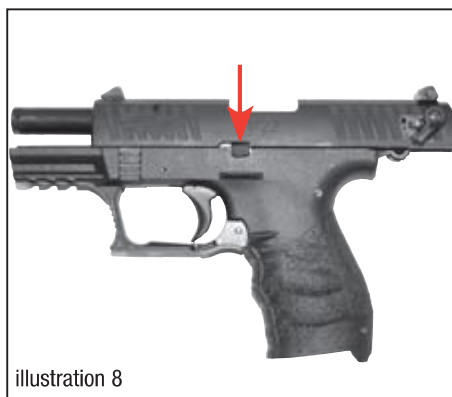


illustration 8

9 Déchargement du pistolet

Engager la sûreté manuelle, retirer le chargeur, ouvrir la culasse et la maintenir ouverte à l'aide de son arrêt. La cartouche se trouvant dans la chambre est alors extraite de celle-ci et éjectée de l'arme. Ramener la culasse et le chien en position de repos.

WARNING:

CONTRÔLE VISUEL DU DÉGAGEMENT DU CANON! FAIRE GLISSER EN AVANT LA CULASSE ET DÉTENDRE LE CHIEN.

10 Démontage / remontage de l'arme

Le démontage doit se limiter à ce qui est décrit dans ce manuel. Un démontage plus poussé, ainsi que le non-respect des indications du manuel, annulerait immédiatement la garantie.

Le fabricant serait dispensé de toute application de la garantie en ce qui concerne d'éventuels dommages corporels et/ou matériels.

WARNING:

À CET EFFET ARRÊTER L'ARME , ENLEVER LE MAGASIN ET CONTRÔLER SI L'ARME EST DÉCHARGÉE.

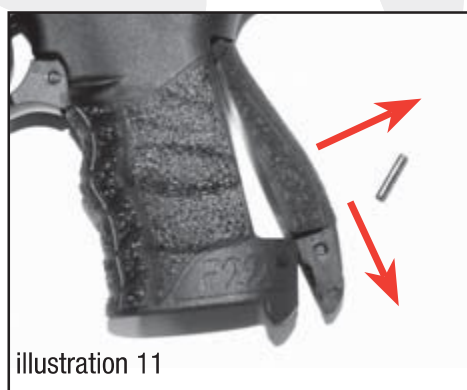
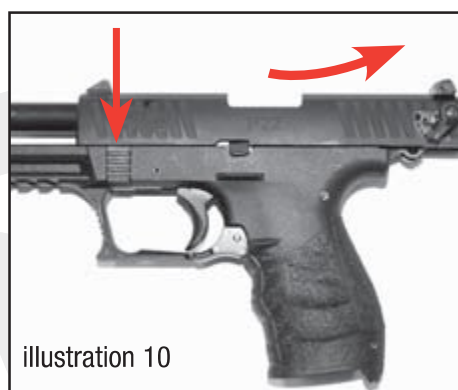
En ce qui concerne la version de 5", éliminez d'abord le poids du canon (voire page 56). Après avoir vérifié que le pistolet n'est ni chargé ni approvisionné, tirer la clavette de démontage vers le bas et armer le chien. Tirer alors la culasse en arrière et vers le haut. Puis ramener la culasse en avant, et la retirer de l'arme (illustration 10). Le remontage s'effectue dans l'ordre inverse.

P22Q

11. AJUSTEMENT DE LA POIGNÉE

11 Ajustement de la poignée

Pour pouvoir ajuster la poignée de façon optimale à la main, il y a la possibilité d'échanger le dos de la poignée. À cet effet la goupille est poussée en dehors à moyen d'un outil comme présenté dans (illustration 11) et est remise en place après l'installation du dos de la poignée.



12. SYSTÈME DE CANON INTERCHANGEABLE

12 Système de canon interchangeable

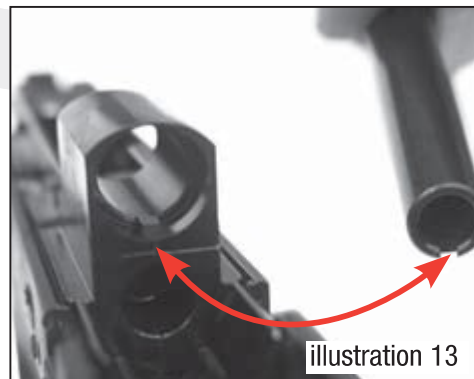
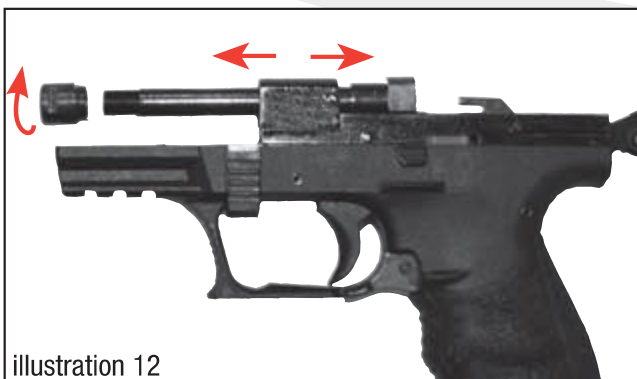
Le P22 dispose de 2 canons de longueur différente.

WARNING:

AVANT DE CHANGER LE CANON, ARRÊTER L'ARME, RETIRER LE MAGASIN ET CONTRÔLER, SI L'ARME EST DÉCHARGÉE.

Pour procéder au remplacement du canon, effectuer d'abord le démontage sommaire de l'arme (illustration 10). Dévisser l'écrou du canon à l'aide de la clé fournie avec le pistolet. Sortir le manchon de canon vers l'avant, et le canon vers l'arrière (illustration 12).

Lors du montage du manchon de canon, veillez à ce que la partie en saillie située à l'intérieur du pistolet s'enclenche dans l'encoche du manchon de canon (voir illustration 13). Remettez ensuite l'écrou-coulisseau.



P22Q

12. SYSTÈME DE CANON INTERCHANGEABLE

Le remontage s'effectue en sens inverse.

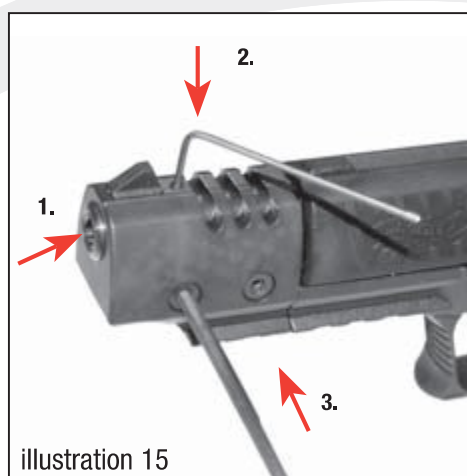
Installez le ressort 2668904 ci-joint au système de canon interchangeable. Lors de la mise de la culasse utilisez la goupille de montage 512.40.21.1. (illustration 14)

Placez le poids du canon et fixez-le avec un vis sans tête et serrez-le avec les vis. (illustration 15)

Le guidon de la culasse est à remplacer par un tampon borgne.

Avant de monter le contrepoids du canon, assurez-vous que l'écrou de fixation est bien serré. Si le contrepoids n'est pas correctement fixé au canon, vérifiez tout d'abord que l'écrou de fixation est bien serré.

Pour démonter le poids du canon, éliminez d'abord le vis sans tête (illustration 15/2), ensuite déliez les vis (illustration 15/3.) Maintenant vous pouvez tirer le poids du canon.



13. ACCESSOIRES SPÉCIAUX

13 Accessoires spéciaux

 <p>Système de canon Permet le passage de la version Standard à la version Target avec contrepoids. Longueur du canon 127 mm.</p> <p>Réf. art. 512.506</p>	 <p>Système de canon interchangeable Standard Permet le passage de la version Target en version Standard. Longueur du canon 87 mm.</p> <p>Réf. art. 512.502</p>
 <p>Chargeur avec prolongement Réf. art. 512.604 (voir photo)</p> <p>sans prolongement Art.-Nr.: 512.602 (sans illust.)</p>	 <p>Laser La culasse „ Quick Release „ permet de monter et démonter le laser en quelques secondes et sans outil supplémentaire. Les DEL présentes sur les deux côtés indiquent si le laser est en marche ou pas.</p> <p>Réf. art. 512.104</p>
 <p>Clé pour canon Pour le montage et démontage du système de canon interchangeable. Réf. art. 512.50.05.1</p>	 <p>Montage en forme de pont Adapté au viseur point rouge Top Point II de WALTHER. Peut être facilement fixé sur le rail d'adaptation Weaver sur la poignée du P22.</p> <p>Réf. art. 512.102</p>
 <p>WALTHER TOP POINT II 12 niveaux de réglage de la luminosité du point, avec bagues de fixation Weaver et capuchons antipoussière.</p> <p>Réf. art. 267 61 50</p>	

14. NETTOYAGE
15. GARDE
16. RÉPARATION

14 Nettoyage

Pour maintenir la sécurité de fonctionnement et augmenter la durée de vie, l'arme devrait être nettoyée et soignée régulièrement.

⚠ ATTENTION:

ARRÊTEZ VOTRE ARME, SORTIR LE MAGASIN, OUVRIR LE COULISSEAU ET CONTRÔLER LE CANON ET LA CHAMBRE.

Démonter l'arme et nettoyer les parties salies au niveau de la culasse, des lèvres du magasin, du dispositif d'amenée et de la poignée à moyen d'une brosse de nettoyage et d'un torchon. Nettoyage du canon avec une brosse de nettoyage imprégnée d'huile et ensuite des mèches de nettoyage, en commençant du côté de la chambre, faire passer plusieurs fois, lubrifier légèrement les parties métalliques. Remonter l'arme et vérifier concernant la bonne marche et la fonction impeccable.

⚠ ATTENTION:

NE LAISSER JAMAIS TRAÎNER UNE ARME CHARGÉE!

15 Garde

La garde et le stockage de votre arme devraient s'effectuer uniquement en état déchargé et arrêté. Tenir l'arme à l'écart des enfants et des usagers inexpérimentés. Garder La munition séparément du pistolet.

16 Réparation

ATTENTION! Une arme qui ne fonctionne pas de manière impeccable est dangereuse. Elle devrait être gardée de manière sûre, afin que personne ne l'utilise avant qu'elle ait été réparée. Il est difficile de réparer soit-même une arme, et un montage incorrect peut mener à des perturbations de fonctionnement dangereuses.

⚠ ATTENTION:

LAISSER CONTRÔLER ET RÉPARER L'ARME PAR UN COMMERCANT SPÉCIALISÉ/ARMURIER AUTORISÉ!

17. GARANTIE

17 Garantie

Durant les deux années suivant la date d'achat, WALTHER répare et remplace gratuitement votre arme défectueuse si le dysfonctionnement n'est pas dû à une mauvaise utilisation ou à une négligence.

La garantie des armes WALTHER s'applique aux défauts de matériaux et de fabrication. Tout défaut de ce type que le propriétaire d'origine signale par écrit à WALTHER dans un délai de deux ans à compter de la date d'achat sera réparé gratuitement par WALTHER dans un délai raisonnable à compter de la réception de l'arme dans les conditions indiquées ci-après.

Dans la mesure du possible, l'arme concernée doit être envoyée dans l'emballage d'origine au service garantie de WALTHER. Ce faisant, veillez à respecter les dispositions légales relatives au transport et à l'envoi d'armes. En outre, les demandes de garantie (sous forme écrite) et une copie du justificatif d'achat portant le nom du propriétaire de l'arme et la date d'achat doivent être jointes à l'envoi.

ATTENTION:

ASSUREZ-VOUS QUE LE PISTOLET N'EST PAS CHARGÉ, QUE LA SÛRETÉ EST BIEN EN POSITION ENCLENCHÉE ET QUE LE PISTOLET EST POINTÉ DANS UNE DIRECTION SÛRE.

Les demandes de garantie doivent porter le nom du modèle et le numéro de série de l'arme concernée, ainsi qu'une description des problèmes constatés. Il est recommandé au propriétaire de prendre lui-même ses dispositions pour l'assurance de l'envoi, car WALTHER n'engage aucunement sa responsabilité en cas de vol ou de dommage durant le transport. Les frais de transport et d'assurance pour le retour de l'arme au propriétaire sont pris en charge par WALTHER si la demande est bien couverte par la garantie.

CETTE GARANTIE EST LIMITÉE ET REMPLACE TOUTES LES AUTRES GARANTIES EXPRESSES OU TACITES. AUCUNE GARANTIE TACITE OU DE COMMERCIALISATION OU D'ADAPTABILITÉ À UN OBJECTIF PARTICULIER N'EST ACCORDÉE ET TOUTE RESPONSABILITÉ POUR NON-RESPECT D'UNE QUELCONQUE GARANTIE TACITE OU D'UNE GARANTIE ÉMANANT DU DROIT EST EXCLUE.

WALTHER NE POURRA EN AUCUN CAS ÊTRE TENU RESPONSABLE DE DOMMAGES ACCESSOIRES OU INDIRECTS, QU'IL RETOURNE D'UNE PERTE ÉCONOMIQUE, D'UNE BLESSURE, D'UN DECÈS OU DE DOMMAGES MATÉRIELS, DANS LA MESURE OÙ CEUX-CI SONT LE RÉSULTAT DU NON-RESPECT DE L'OBLIGATION DE GARANTIE, DE NÉGLIGENCE OU AUTRE.

P22Q

17. GARANTIE

WALTHER n'engage pas sa responsabilité pour :

- les défauts ou dysfonctionnements résultant d'une manipulation inappropriée, de réglages non autorisés ou de modifications apportées ou initiées par toute autre personne qu'un armurier qualifié suivant les procédures d'autorisation WALTHER, ou encore de démontage allant au-delà des consignes figurant dans le présent mode d'emploi.
- l'utilisation de munitions inappropriées ou défectueuses, et en cas de corrosion, d'entretien insuffisant, de mauvaise utilisation, d'usure ordinaire, ou d'utilisation excessive.
- des utilisations criminelles, ou en cas de négligences, de revente, d'utilisation sous l'emprise de drogue ou d'alcool.

WALTHER se réserve le droit de déterminer ce qui constitue une usure ordinaire. Cette garantie vous octroie des droits spécifiques. Vous pouvez également bénéficier de droits supplémentaires selon l'état où vous vous trouvez. Note : toute responsabilité est exclue si les consignes portées dans le présent mode d'emploi ne sont pas observées.

CONTACT & ADRESSE D'EXPÉDITION



Carl WALTHER GmbH

Service

Postfach 4325

Im Lehrer Feld 1

Tel. +49 (0) 731 / 15 39 0

D - 89033 Ulm

D - 89081 Ulm

Fax +49 (0) 731 / 15 39 109



18 DONNÉES TECHNIQUES

Calibre	.22 l.r.
Type de verrouillage	culasse ressort-masse
Système de détente	DA / SA
Force de détente à simple action (Single Action)	environ 2.2 kg
Force de détente à double action (Double Action)	environ 5.6 kg
Course de détente à simple action (Single Action)	environ 4 mm
Course de détente à double action (Double Action)	environ 16 mm
Capacité du magasin	10 tirs
Mesures (L/H/L)	160/114/28 (200/114/28)
Longueur du canon	87 mm (127 mm)
Longueur de la hausse	130 mm (170 mm)
Largeur de la mire	4.5 mm
Largeur du guidon	3.6 mm
Poids (sans magasin)	480 g (575 g)



MANUAL DE INSTRUCCIONES
P22Q



EN

DE

FR

ES

IT



Pistola semiautomática
Cal. .22 l.r.



**LEA CON ATENCIÓN LAS INSTRUCCIONES Y
ADVERTENCIAS DE ESTE MANUAL ANTES DE UTILIZAR
EL ARMA.**

P22Q

Observaciones importantes sobre el manejo de armas

Parta del hecho de que hasta el arma más segura puede hacerse peligrosa para usted y para otros por un manejo inadecuado. Familiarícese primero con el funcionamiento y el manejo del arma por medio del manual de instrucciones.

Trate el arma descargada como si estuviera cargada.



ATENCIÓN:

SIEMPRE TENGA PRESENTE: TENGA EL DEDO LEJOS DEL DISPARADOR, EXCEPTO EN CASO DE DISPARO INTENCIONADO. TENGA EL ARMA SIEMPRE DE MANERA QUE NO PONGA EN PELIGRO NI A VD., NI A LAS PERSONAS QUE LE RODEAN.

Nunca utilice violencia al momento de manejar, desmontar y montar el arma. La seguridad está garantizada únicamente mientras que el arma se encuentre en perfecto estado.

Un manejo inadecuado y un mal mantenimiento pueden mermar el funcionamiento y la seguridad del arma. Tenga presente que en caso de efectos exteriores, por ejemplo, corrosión, caídas, etc., el arma tiene que ser revisada por una persona cualificada. Una manipulación inadecuada del mecanismo, daños provocados por violencia y modificaciones eximen al fabricante de toda responsabilidad y prestación de garantía. Toda reforma u otros trabajos en el arma deberán efectuarse exclusivamente por personas cualificadas y autorizadas. Al realizar ejercicios de tiro no olvide usar protectores de oído y gafas protectoras. Pida también a las personas, que siempre deberán permanecer en la parte trasera, que usen protectores de oídos.

INDICE

1. INSTRUCCIONES DE USO	66 - 68
1.1. Seguro de aleta	66
1.2. Miras	67
1.3. Seguro de caída	68
1.4. Indicación del estado de la carga	68
1.5. Seguro del cargador	68
2. PRUEBAS ANTES	69
3. DESPUÉS DEL USO	69
4. CARGAR LA PISTOLA	70
5. INTRODUCCIÓN DEL PRIMER CARTUCHO EN LA RECÁMARA	71
6. DISPARAR	71
7. DESARME DEL MARTILLO	72
8. LA PISTOLA CON CARGADOR VACÍO	72
9. DESCARGAR	73
10. DESMONTAR Y MONTAR LA PISTOLA	73
11. AJUSTAR LA EMPUÑADURA	74
12. SISTEMA DE CAMBIO DEL CAÑÓN	75 - 76
13. ACCESORIOS ESPECIALES	77
14. LIMPIEZA	78
15. CONSERVACIÓN	78
16. REPARACIÓN	78
17. GARANTÍA	79 - 80
18. DATOS TÉCNICOS	81

P22Q

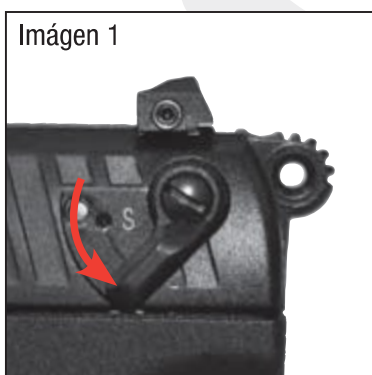
1. INSTRUCCIONES DE USO

1.1 Seguro de aleta

Para asegurar el arma, gire la palanca de seguridad a la posición inferior, como esta representado en la 1 imagen.

POSICIÓN DE BLOQUEO- gire la palanca de seguridad hasta la posición inferior, como esta representado en la Imágen 1.

POSICIÓN DE DISPARO- gire la palanca de seguridad hasta la posición superior, como esta representado en la Imágen 2.



1. INSTRUCCIONES DE USO

1.2 Dispositivo de puntería

El punto de mira para el ajuste vertical se puede cambiar y la alza es variable en dirección lateral.

Ajuste lateral:

Si el disparo va a la derecha girar el tornillo de alza hacia la derecha, si el disparo va a la izquierda girar hacia la izquierda (Imágen 3).

Ajuste en altura:

Colocando puntos de mira de diferentes alturas se puede ajustar la altura. Si el disparo va por debajo se utiliza un punto de mira más bajo, si el disparo va por encima se utiliza un punto de mira más alto.

Para poder cambiar el punto de mira, presionarlo de la corredera desde abajo por medio de un destornillador.



P22Q

1. INSTRUCCIONES DE USO

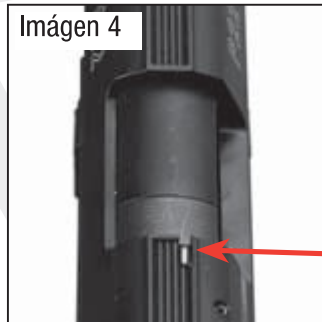
1.3 Seguro de caída

El seguro se activa al caerse la pistola de diferentes alturas y posiciones. Este seguro impide la detonación indeseada del cartucho, cuando no se ha apretado el gatillo.

! WARNING:

TODOS LOS SEGUROS SON MECÁNICOS, Y EL TIRADOR ES EL ÚNICO QUE ASEGURA O QUITA EL SEGURO. NUNCA CONFIE EN SEGUROS MECÁNICOS - PIENSE DE MANERA PREVISORA Y EVITE SITUACIONES QUE PODRÍAN LLEVAR A UN ACCIDENTE!

Imágen 4



1.4 Indicación del estado de la carga

Por un pequeño corte en la parte superior del corredera se puede verificar si se encuentra un cartucho en la recámara (Imágen 4).

1.5 Seguro del cargador

Si retira el cargador y si no tiene intención de continuar disparando, verifique a pesar del seguro si se encuentra todavía un cartucho en la recámara. ¡Sin el cargador metido, la P22 está asegurada contra el disparo por medio del seguro del cargador. No se puede disparar aunque haya un cartucho en la recámara.

! WARNING:

SI RETIRA EL CARGADOR Y EN CASO DE NO SEGUIR DISPARANDO, VERIFIQUE A PESAR DEL SEGURO SI SE ENCUENTRA TODAVÍA UN CARTUCHO EN LA RECÁMARA!

2 Pruebas antes del uso

ATENCIÓN:

ASEGURESE QUE LA PISTOLA ESTÉ ASEGURADA Y DESCARGADA ANTES DE LA PRUEBA (CAÑÓN LIBRE, RECÁMARA VACIA Y CARGADOR VACIO).

Prueba del funcionamiento

1. Retirar el cargador, tirar hacia atrás la corredera hasta el tope. Después que haya soltado la corredera, el muelle del cierre tiene que conducirlo otra vez a su posición de delante.
2. Colocar el cargador vacío, tirar de la corredera hacia atrás al tope. La corredera tiene que quedar agarrada en posición de detrás.
3. Retirar el cargador, tirar ligeramente hacia atrás la corredera. Después que haya soltado la corredera, el muelle del cierre tiene que conducirlo otra vez a su posición de delante.
4. Para desarmar colocar el cargador vacío, tirar del gatillo con el pulgar, manipular el martillo y dejar deslizar el martillo lentamente hacia adelante.
5. Colocar el cargador vacío, tirar de la corredera hacia atrás al tope. La corredera tiene que quedar agarrada en posición de detrás.
6. Oprimir la palanca de retenida de la corredera hacia abajo. El muelle del cierre tiene que conducir la corredera otra vez a su posición de delante. Desarmar el martillo.
7. Retirar el cargador, tirar del gatillo hacia atrás. El mecanismo de percusión no debe funcionar.

3 Prueba después del uso

ATENCIÓN:

ASEGURESE DE QUE LA PISTOLA ESTÉ ASEGURADA, DESCARGADA (CAÑÓN Y RECÁMARA VACIOS) DESPUÉS DEL USO Y DE QUE EL CARGADOR ESTÉ VACÍO. DESARMAR EL MARTILLO.

ATENCIÓN:

LEA LAS INSTRUCCIONES DE MANEJO COMPLETAMENTE ANTES DE CARGAR SU ARMA. EN CASO DEL EMPLEO DE UNA MUNICIÓN DEMASIADO DÉBIL UNAS PERTURBACIONES DE FUNCIONAMIENTO PUEDEN PRODUCIRSE EN EL ARMA. AFIN D'ÉVITER DES DOMMAGES CHEZ DES PERSONNES ET SUR L'ARME IL FAUT UTILISER EXCLUSIVEMENT DE LA MUNITION QUI CORRESPOND À LA NORME SAAMI, RESPECTIVEMENT À LA NORME CIP.

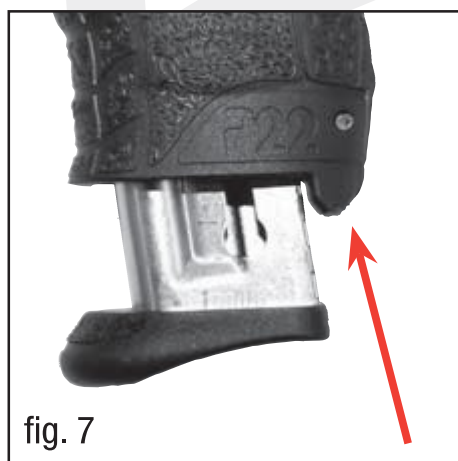
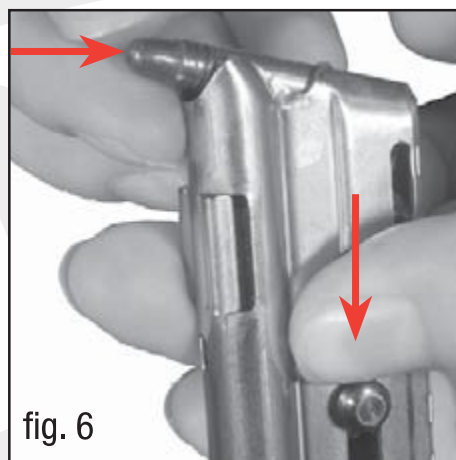
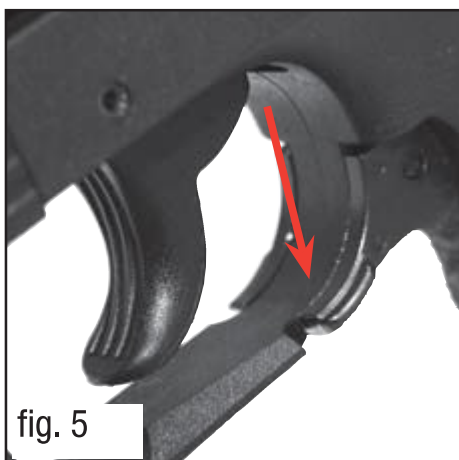
P22Q

4. CARGAR LA PISTOLA

4 Cargar la pistola

Asegure el arma.

Oprimir la retenida del cargador y sacar el cargador vacío (imagen 5). Oprima el elevador del cargador hacia abajo con el botón lateral y empuje el cartucho bajo los labios del cargador (imagen 6). Nunca aplicar violencia. Un labio del cargador dañado lleva a perturbaciones de funcionamiento y con eso al mal funcionamiento del arma. Golpee el cargador llenado con el dorso contra la palma, alineando los cartuchos se evitan errores de alimentación. En el momento de vaciar el cargador, empujar fuera los cartuchos uno tras otro hacia delante. Encajar el cargador llenado en la pistola hasta el enclavamiento del cargador (imagen 7).



5. INTRODUCCIÓN DEL PRIMER CARTUCHO EN LA RECÁMARA 6. DISPARAR



5 Introducción del primer cartucho en la recámara

Empuñar el arma en la mano que va a accionar el gatillo y apuntar hacia abajo de manera oblicua para excluir daños a las personas. Tirar la corredera completamente hacia atrás con la mano libre y soltarla. La corredera salta hacia adelante, el primer cartucho entra en la recámara, el martillo está armado. Deje el arma asegurada hasta que el disparo tenga que realizarse.



ATENCIÓN:

NUNCA COLOQUE LA MANO DELANTE DE LA BOCA DEL ARMA.



ATENCIÓN:

NO APOYAR EL DEDO EN EL GATILLO, OBSERVAR LAS MEDIDAS DE SEGURIDAD, LA PISTOLA ESTÁ DISPUESTA PARA DISPARAR.

6 Disparar

Usted puede disparar de dos maneras: con doble acción (double-action) o con simple acción (single-action).

Disparar „double-action“ quiere decir tirar hasta el fondo el gatillo con el arma cargada y el martillo abatido, hasta que se efectue el disparo.

Disparar „single-action“ quiere decir que se arma el martillo a mano con el arma cargada.

Se carga automáticamente un cartucho nuevo y se arma el martillo por el movimiento de repetición de la corredera.

7. DESARME DEL MARTILLO

8. LA PISTOLA CON CARGADOR VACÍO

7 Desarme del martillo

Asegure su arma. tenga agarrado el martillo con el pulgar, accione el gatillo y deje deslizar el martillo lentamente hacia adelante.

⚠ ATENCIÓN:

PARA DESARMAR SOSTENER EL ARMA DE MANERA QUE SE EXCLUYAN DAÑOS A LAS PERSONAS.

8 La pistola con cargador vacío

Después de disparar el último cartucho, la corredera es retenida en la posición trasera por su palanca de retención. Asegure su arma.

En caso de querer seguir disparando, sustituir el cargador vacío por uno lleno. Accione la palanca de retención de la corredera (imagen 8), la corredera salta adelante y carga el primer cartucho en la recámara.

Durante este procedimiento sostener el arma en la mano que tira y apuntar hacia abajo en un plano inclinado, de manera que se excluyan daños a las personas.

⚠ ATENCIÓN:

NO APOYAR EL DEDO EN EL GATILLO, OBSERVAR LAS MEDIDAS DE SEGURIDAD, LA PISTOLA ESTÁ DISPUESTA PARA DISPARAR.

En caso de no seguir disparando, asegurar el arma, sacar el cargador, asegurarse de que en la recámara no se encuentre ningún cartucho (imagen 9), cerrar la corredera y desarmar el martillo.



Imagen 8

9 Descargar la pistola

Asegurar el arma. Sacar el cargador y tirar la corredera hacia atrás hasta el tope. Se extrae y se expulsa el cartucho que se encuentra en la recámara. Dejar deslizar la corredera hacia adelante y desarmar el martillo.

ATENCIÓN:

CONTROLAR VISUALMENTE SI EL CAÑÓN ESTÁ VACIO!

10 Desmontar y montar la pistola

El arma no debe de ser desmontada más allá de lo descrito en el presente manual de instrucciones. Otros desmontajes, montaje inadecuado y la no observación del manual de instrucciones oxoneran al fabricante de toda garantía en relación a daños a bienes o a las personas.

ATENCIÓN:

EN ESTE CASO ASEGURAR EL ARMA, SACAR EL CARGADOR Y CONTROLAR, SI EL ARMA ESTÁ DESCARGADA.

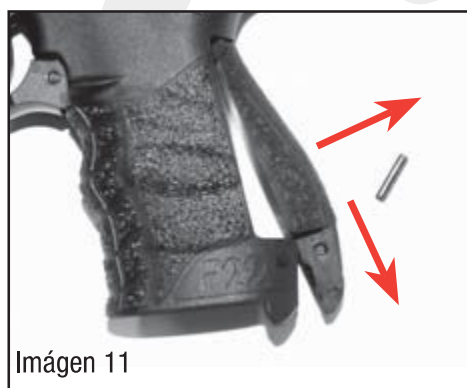
En el caso de la versión de 5" quite primeramente el contrapeso del cañón (véase página 76). Presionar la palanca de desmontaje hacia abajo y armar el martillo. Tirar de la corredera hacia atrás al tope, levantar por detrás y dejar deslizar hacia adelante. Sacar la varilla guía (imagen 10). El montaje se efectua en orden inverso.

P22Q

11. AJUSTAR LA EMPUÑADURA

11 Ajustar la empuñadura

Para poder ajustar de manera óptima la empuñadura del arma a la mano, existe la posibilidad de sustituir el dorso de la empuñadura. Presionar para ello el pasador por medio de una herramienta como representado en imagen 11 hasta que salga y después de montar el dorso de la empuñadura volver a incorporarlo.



12. SISTEMA DE CAMBIO DEL CAÑÓN

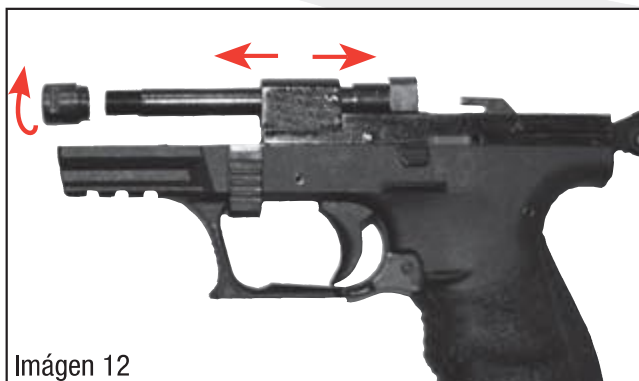
12 Sistema de cambio del cañón

Para la P22 se fabrica un sistema de cambio del cañón con contrapeso del cañón.

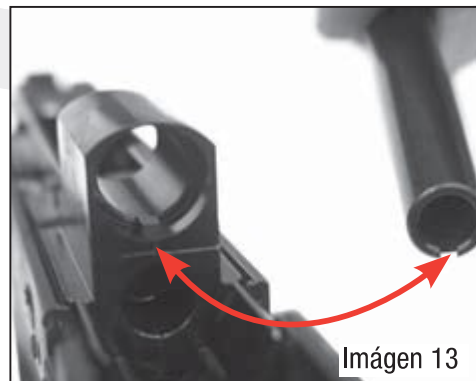
⚠ ATENCIÓN: ANTES DE CAMBIAR EL CAÑÓN ASEGURAR EL ARMA, SACAR EL CARGADOR Y CONTROLAR SI EL ARMA ESTÁ DESCARGADA.

Tire la palanca de desmontaje hacia abajo, arme el martillo y desmonte la corredera (imagen 10). Suelte la tuerca del cañón con la llave de boca adjunta (imagen 12). Saque la tuerca del cañón y tire del cañón hacia atrás del armazón.

Al montar la camisa del cañón deberá observar que el saliente situado en la carcasa del sistema enclave con la muesca de la camisa (véase Imágen 13). A continuación vuelva a fijar la tuerca del cañón.



Imágen 12



Imágen 13

P22Q

12. SISTEMA DE CAMBIO DEL CAÑÓN

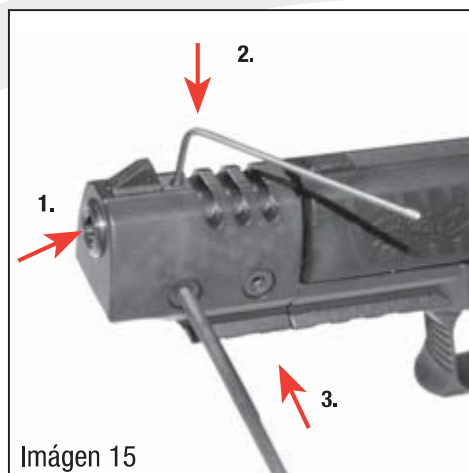
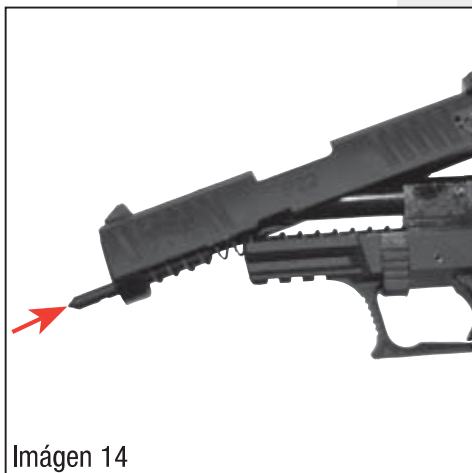
El montaje se efectúa en orden inverso.

Instale el resorte 2668904 adjunto en el sistema de cañón cambiable. En el momento de colocar el cierre utilice la clavija de montaje 512.40.21.1 (imagen 16). Encaje primeramente el contrapeso del cañón y fijelo con el tornillo de sujeción y apriete los tornillos (imagen 17).

El punto de mira de la corredera se tiene que sustituir por un tapón.

Antes de montar el contrapeso del cañón, asegúrese de que la tuerca de fijación esté firmemente apretada. Si el contrapeso quedara suelto en el cañón, compruebe en primer lugar que la tuerca de sujeción esté firmemente apretada.

Para desmontar el contrapeso del cañón quite primero el tornillo de sujeción (imagen 17/2), después deshaga los tornillos.(imagen 17/3) Ahora puede retirar el contrapeso del cañón.



13. ACCESORIOS ESPECIALES

13 Accesorios especiales

 <p>Sistema de cañón intercambiable Target Posibilita la modificación de la versión estándar a la versión Target con contrapeso. Longitud del cañón 127 mm. Nº ref.. 512.506</p>	 <p>Sistema de cañón intercambiable Standard Posibilita la modificación de la versión Target a la versión estándar. Longitud del cañón 87 mm. Nº ref..512.502</p>
 <p>Cargador con prolongación Art.-Nr.: 512.604 (véase figura)</p> <p>sin prolongación Nº ref.. 512.602 (sin figura)</p>	 <p>Láser El enclavamiento „Quick Release“ permite el montaje y desmontaje en pocos segundos del láser. Gracias a los diodos luminosos incorporados en ambos lados se puede reconocer en todo momento el estado de servicio. Nº ref.. 512.104</p>
 <p>Llave de boca Para el montaje y desmontaje de la unidad del cañón. Nº ref.. 512.50.05.1</p>	 <p>Montaje del puente Adecuado para el aparato de puntería de punto luminoso WALTHER Top Point II. Se puede fijar sin problemas en la guía tipo Weaver de la empuñadura de la P22. Nº ref.. 512.102</p>
 <p>WALTHER Top Point II La intensidad del punto luminoso puede regularse en 12 ajustes, con montaje anular tipo Weaver y tapas protectoras contra el polvo. Nº ref.. 267 61 50</p>	

14. LIMPIEZA

15. CONSERVACIÓN

16. REPARACIÓN

14 Limpieza

Con el fin de mantener la seguridad de funcionamiento y aumentar la duración el arma debe de ser limpiada y cuidada con regularidad.

⚠ ATENCIÓN:

ASEGURE SU ARMA, SACAR EL CARGADOR, ABRIR LA CORREDERA Y CONTROLAR EL CAÑÓN Y LA RECÁMARA.

Desmontar el arma y limpiar las piezas ensuciadas en la corredera, en los labios del cargador, en el elevador y en la empuñadura con ayuda de un cepillo y un trapo de limpiar. Limpiar el cañón con el cepillo impregnado con aceite. Pasar varias veces por el interior con el cepillo y después con un trozo de correa de algodón, comenzando por la parte de la recámara dejarlo seco. Engrasar las piezas metálicas ligeramente. Volver a montar el arma y comprobar suavidad y funcionamiento perfecto.

⚠ ATENCIÓN:

NUNCA ABANDONAR UN ARMA CARGADA!

15 Conservación

La conservación y el almacenamiento de su arma deberan de efectuarse únicamente en estado descargado y asegurado.

Mantener el arma apartada de los niños y personas no autorizadas. Conservar la munición separadamente de la pistola.

16 Reparación

Un arma que no funciona de manera perfecta, es peligrosa.

Debería de ser conservada de manera segura, para que nadie la utilice antes de que haya sido reparada. Es difícil reparar por si mismo un arma, y un montaje falso puede llevar a perturbaciones de funcionamiento peligrosas.

⚠ ATENCIÓN:

DEJE CONTROLAR Y REPARAR EL ARMA ÚNICAMENTE POR UN COMERCIANTE ESPECIALIZADO/ARMERO!

17. GARANTÍA

17 Garantía

Durante los dos primeros años después de la compra, WALTHER reparará o sustituirá el arma defectuosa sin coste alguno siempre y cuando el defecto no sea producto de la negligencia o el uso indebido.

La garantía de WALTHER cubre defectos de material y fabricación. Cualquiera de estos defectos notificados por escrito a la empresa WALTHER por el comprador original, dentro de un período de dos años a partir de la fecha de compra y tras la recepción del arma, bajo las condiciones arriba mencionadas, serán corregidos sin coste alguno dentro de los plazos de tiempo habituales. El arma en cuestión deberá enviarse al departamento de servicio WALTHER en su embalaje original. Por favor, observe las disposiciones legales sobre transporte y envío de armas. Además deberá adjuntar la solicitud de garantía (de forma escrita) y una copia del recibo de compra con el nombre del propietario, en la que aparezca la fecha de compra.

ATENCIÓN:

IMPORTANTE. AL TRANSPORTAR UN ARMA DE FUEGO, ASEGÚRESE DE QUE ESTÁ DESCARGADA Y DE QUE EL SEGURO ESTÁ EN POSICIÓN DE BLOQUEO.

En las reclamaciones de garantía será necesario indicar el modelo y número de serie del arma en cuestión y la descripción del problema.

Es recomendable que el remitente asegure el envío, dado que WALTHER no se hará responsable de las pérdidas o daños sufridos durante el transporte. Los gastos de transporte y seguro del envío de vuelta correrán a cargo de WALTHER si la garantía cubre efectivamente la reclamación.

ESTA GARANTÍA ES EXCLUSIVA Y SUSTITUYE A CUALQUIER OTRA GARANTÍA, YA SEA EXPRESA O IMPLÍCITA. WALTHER NO OTORGA NINGUNA GARANTÍA IMPLÍCITA DE COMERCIABILIDAD O IDONEIDAD PARA UN FIN ESPECÍFICO NI SE HACE RESPONSABLE DEL INCUMPLIMIENTO DE NINGUNA GARANTÍA IMPLÍCITA O CREADA POR LA LEY. WALTHER NO SERÁ RESPONSABLE EN NINGÚN CASO DE LOS DAÑOS INCIDENTALS O CONSECUENTES RELATIVOS A PÉRDIDAS ECONÓMICAS, DAÑOS A LA PROPIEDAD, LESIONES O MUERTE, YA SEA COMO RESULTADO DEL INCUMPLIMIENTO DE ESTA GARANTÍA, NEGLIGENCIA O CUALQUIER OTRA CIRCUNSTANCIA.

P22Q

17. GARANTÍA

WALTHER no se responsabiliza de:

- Defectos o fallos de funcionamiento derivados del manejo inadecuado, de los ajustes no autorizados realizados por cualquiera que no sea un armero cualificado siguiendo los procedimientos autorizados de WALTHER o de un desmontaje que vaya más allá de lo especificado en las instrucciones de desmontaje de este manual.
- Uso de munición defectuosa o inadecuada, corrosión, negligencia, mal uso, desgaste ordinario o utilización indebida.
- Uso criminal, negligencia, reventa o uso bajo la influencia del alcohol o las drogas.

WALTHER se reserva el derecho a determinar qué constituye el desgaste ordinario. Esta garantía le concede derechos legales específicos. Es posible que posea otros derechos, que pueden variar en función del estado. Nota: Walther rechaza toda responsabilidad en caso de que no se sigan las instrucciones de este manual.

DIRECCIÓN DE CONTACTO Y ENVÍO



Carl WALTHER GmbH

Service

Postfach 4325

Im Lehrer Feld 1

Tel. +49 (0) 731 / 15 39 0

D - 89033 Ulm

D - 89081 Ulm

Fax +49 (0) 731 / 15 39 109



18. CARACTERÍSTICAS TÉCNICAS

Calibre	.22 l.r.
Sistema de cierre	Corredera muelle-masa
Tipo del disparador	DA / SA
Peso del disparador normal (Single Action)	aproximadamente 2.2 kg
Peso del disparador de doble acción(Double Action)	aproximadamente 5.6 kg
Recorrido del disparador normal(Single Action)	aproximadamente 4 mm
Recorrido del disparador de doble acción(Double Action)	aproximadamente 16 mm
Capacidad de cargador	10 cartuchos
Dimensiones (Long./Alt./Anch.)	160/114/28 (200/114/28)
Longitud del cañón	87 mm (127 mm)
Longitud entre miras	130 mm (170 mm)
Anchura de la ranura del alza	4.5 mm
Anchura del punto de mira	3.6 mm
Peso (sin cargador)	480 g (575 g)



ISTRUZIONI PER L'USO
P22Q

WALTHER[®]

EN

DE

FR

ES

IT



Pistola semiautomatica
Cal. .22 l.r.



**PRIMA DI USARE L'ARMA DA FUOCO LEGGERE
ACCURATAMENTE LE ISTRUZIONI E LE AVVERTENZE QUI
RIPORTATE.**

P22Q

Norme di sicurezza relative all'uso di armi da fuoco

Anche l'arma più sicura può essere potenziale causa di gravi pericoli se maneggiata non correttamente. Prima di usare l'arma occorre quindi studiare a fondo il contenuto delle presenti istruzioni per l'uso per familiarizzare completamente il funzionamento dell'arma. Maneggiare l'arma scarica con estrema cautela come se fosse carica.



ATTENZIONE:

TENERE LE DITA LONTANE DAL GRILLETTO SINO AL MOMENTO DEL VOLUTO SPARO. NON PUNTARE MAI L'ARMA CONTRO UNA PERSONA OPPURE IN UNA DIREZIONE CHE NON SIA SICURA.

Maneggiare, smontare e montare l'arma senza esercitare forza per mantenerla in piena efficienza nel tempo ed evitare eventuali danni e pericoli. L'uso e la manutenzione non appropriati dell'arma ne possono compromettere la corretta funzionalità e la sicurezza d'uso.

In caso di eventuale caduta dell'arma o in caso di effetti atmosferici (corrosione ecc.) occorre rivolgersi ad un esperto per una verifica scrupolosa. Interventi non appropriati sui meccanismi dell'arma, danni dovuti all'uso di forza o modifiche eseguite da parte di terzi liberano il costruttore da tutti gli impegni di garanzia. Eventuali interventi sulle armi da fuoco devono essere eseguiti esclusivamente da specialisti autorizzati. Anche in caso di spari di esercitazione non dimenticare mai le protezioni per l'udito ed eventualmente gli occhiali protettivi. Fare notare l'importanza di indossare una protezione per l'udito anche a persone che devono stazionare esclusivamente nella zona posteriore del poligono.

INDICE

1. ISTRUZIONI PER L'USO	86 - 88
1.1. Sicura manuale	86
1.2. Dispositivo di mira	87
1.3. Sicura automatica sul percussore (sicura interna)	88
1.4. Indicatore di cartuccia in camera	88
1.5. Sicura caricatore	88
2. CONTROLLI DA ESEGUIRE PRIMA DELL'USO	89
3. CONTROLLI DA ESEGUIRE DOPO L'USO	89
4. CARICAMENTO DELLA PISTOLA	90
5. INTRODUZIONE DELLA PRIMA CARTUCCIA NELLA CAMERA	91
6. SPARO	91
7. DISARMAMENTO DEL CANE	92
8. PISTOLA CON CARICATORE VUOTO	92
9. SCARICAMENTO DELLA PISTOLA	93
10. SMONTAGGIO E RIMONTAGGIO DELLA PISTOLA	93
11. ADATTAMENTO DELL'IMPUGNATURA	94
12. SOSTITUZIONE DELLA CANNA	95 - 96
13. ACCESSORI SPECIALI	97
14. PULIZIA DELLA PISTOLA	98
15. CONSERVAZIONE DELL'ARMA	98
16. RIPARAZIONE DELLE ARMI WALTHER	98
17. GARANZIA	99 - 100
18. DATI TECNICI	101

P22Q

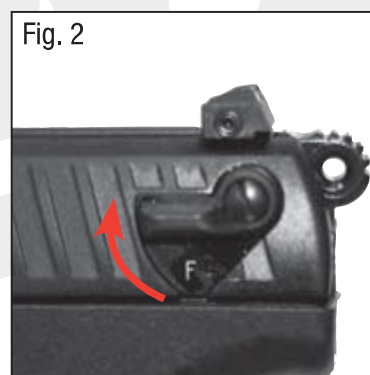
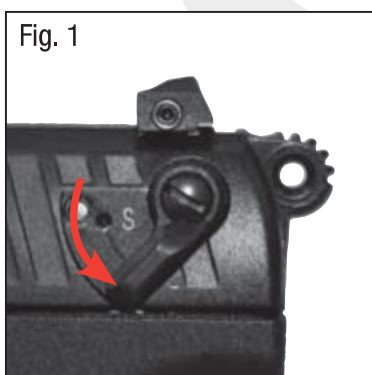
1. ISTRUZIONI PER L'USO

1.1 Sicura manuale

Per mettere la pistola in sicura, girare la leva della sicura ambidestra verso il basso come dimostrato nella Fig. 1.

POSIZIONE DI BLOCCO - disporre la leva della sicura verso il basso (Fig. 1).

POSIZIONE DI SPARO - disporre la leva della sicura verso l'alto (Fig. 2).



1. ISTRUZIONI PER L'USO

1.2 Organi di mira

Il mirino può essere sostituito per consentire una regolazione in altezza. La posizione della tacca di mira può essere regolata lateralmente.

Regolazione laterale:

In caso di derivazione verso destra ruotare la vite nella tacca di mira in senso orario. In caso di derivazione verso sinistra ruotare la vite in senso antiorario (Fig. 3).

Regolazione in altezza:

L'altezza di sparo può essere variata usando mirini con altezze diverse. Usare un mirino più basso in caso di derivazione verso il basso. Usare invece un mirino più alto in caso di derivazione verso l'alto. Per sostituire il mirino, inserire un cacciavite sul lato inferiore dell'otturatore e spingere fuori il mirino.



P22Q

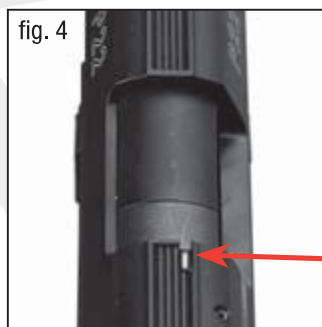
1. ISTRUZIONI PER L'USO

1.3 Sicura automatica sul percussore (sicura interna)

La sicura automatica sul percussore (sicura caduta) è disinserita solo quando il grilletto viene azionato completamente a fondo. Questa sicura garantisce che il percussore rimanga bloccato in caso di un'eventuale caduta dell'arma con conseguente sgancio non intenzionale del cane.

1.4 Indicatore di cartuccia in camera

Una piccola fessura sul lato superiore dell'otturatore consente di controllare se nella camera di cartuccia è alloggiata una cartuccia (Fig. 4).



ATTENZIONE:

TUTTE LE SICURE SONO DI TIPO MECCANICO. CIÒ SIGNIFICA CHE SPETTA AL TIRATORE METTERE L'ARMA IN SICURTÀ O RENDERLA PRONTA AL FUOCO. NON FIDARSI MAI DELLE SICURE MECCANICHE! AGIRE SEMPRE CON PREVIDENTE CURA ED EVITARE TUTTE LE SITUAZIONI CHE POTREBBERO CAUSARE INCIDENTI!

1.5 Sicura caricatore

La sicura caricatore impedisce qualsiasi sparo quando il caricatore non è correttamente inserito nell'impugnatura. Una cartuccia alloggiata nella camera di cartuccia non può essere sparata.



WARNING:

RIMUOVERE IL CARICATORE E NON CONTINUARE A SPARARE. NONOSTANTE LA SICURA CARICATORE IMPEDISCA ALL'ARMA DI SPARARE CONTROLLARE SE NELLA CAMERA DI CARTUCCIA È ANCORA ALLOGGIATA UNA CARTUCCIA!

2 Controlli da eseguire prima dell'uso



ATTENZIONE:

ASSICURARSI CHE LA PISTOLA SIA IN SICURA E SCARICA (CANNA, CAMERA DI CARTUCCIA E CARICATORE VUOTI) PRIMA DI ESEGUIRE LE VERIFICHE ELENcate QUI DI SEGUITO.

Prova di funzionamento

1. Rimuovere il caricatore dall'impugnatura. Arretrare l'otturatore fino all'arresto. Lasciare libero l'otturatore assicurandosi che la molla di chiusura lo faccia scorrere completamente in avanti.
2. Inserire il caricatore vuoto. Arretrare l'otturatore fino all'arresto assicurandosi che venga trattenuto in tale posizione.
3. Rimuovere il caricatore dall'impugnatura. Arretrare leggermente l'otturatore. Lasciare libero l'otturatore assicurandosi che la molla di chiusura lo faccia scorrere completamente in avanti.
4. Per disarmare il cane, inserire il caricatore vuoto. Tenere fermo il cane con il pollice. Azionare il grilletto e portare il cane lentamente in avanti.
5. Inserire il caricatore vuoto. Arretrare l'otturatore fino all'arresto assicurandosi che venga trattenuto in tale posizione.
6. Premere la leva arresto otturatore verso il basso assicurandosi che la molla di chiusura faccia scorrere l'otturatore completamente in avanti. Disarmare il cane.
7. Rimuovere il caricatore dall'impugnatura. Arretrare l'otturatore assicurandosi che il percussore rimanga bloccato.

3 Controlli da eseguire dopo l'uso



ATTENZIONE:

ASSICURARSI CHE LA PISTOLA SIA IN SICURA E SCARICA (CANNA, CAMERA DI CARTUCCIA E CARICATORE VUOTI) DOPO AVERLA USATA. DISARMARE IL CANE.



ATTENZIONE:

STUDIARE A FONDO IL CONTENUTO DELLE PRESENTI ISTRUZIONI PER L'USO PRIMA DI CARICARE LA PISTOLA. L'USO DI MUNIZIONI TROPPO DEBOLI PUÒ COMPROMETTERE IL CORRETTO FUNZIONAMENTO DELL'ARMA. PER EVITARE DANNI ALLE PERSONE OPPURE ALL'ARMA DEVONO ESSERE USATE ESCLUSIVAMENTE MUNIZIONI CHE SIANO CONFORMI ALLO STANDARD SAAMI E/O CIP.

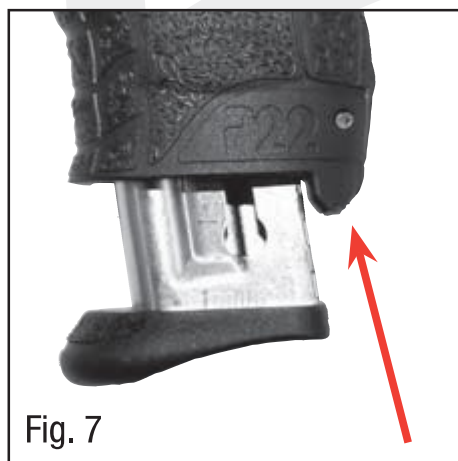
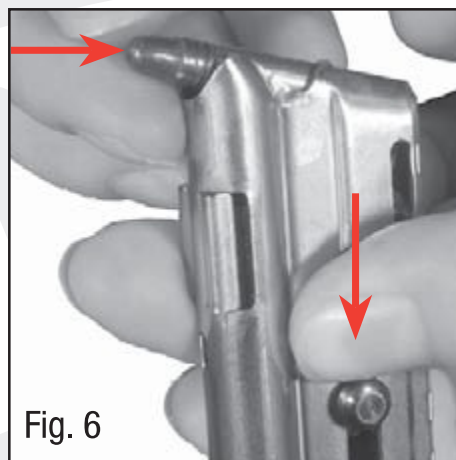
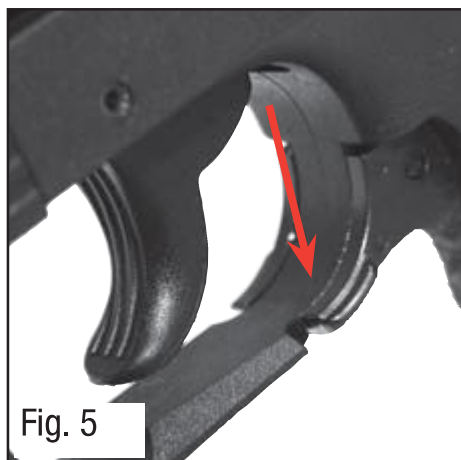
P22Q

4. CARICAMENTO DELLA PISTOLA

4 Caricamento della pistola

Mettere l'arma in sicura.

Premere la leva sgancio caricatore verso il basso e rimuovere il caricatore vuoto dall'impugnatura (Fig. 5). Con la pressione del bottone laterale premere l'elevatore verso il basso. Inserire la cartuccia sotto i labbri del caricatore (Fig. 6). Procedere con estrema cautela e senza esercitare forza. Eventuali danni ai labbri del caricatore possono comportare difetti di funzionamento. Battere il caricatore pieno con la parte posteriore contro la palma della mano. L'allineamento delle cartucce consente di evitare errori di alimentazione. Per vuotare il caricatore spingere in avanti le singole cartucce. Inserire il caricatore pieno nell'impugnatura fino a sentire il click di blocco (Fig. 7).




5. INTRODUZIONE DELLA PRIMA CARTUCCIA NELLA CAMERA 6. SPARO



5 Introduzione della prima cartuccia nella camera

Tenere stretta la pistola con la mano destra (o quella sinistra in caso di tiratori mancini) con la volata rivolta verso il basso. Non puntare mai l'arma contro persone oppure in una direzione che non sia sicura. Arretrare completamente l'otturatore con la mano libera. Lasciare libero l'otturatore dopodiché quest'ultimo scorrerà velocemente in avanti incamerando la prima cartuccia. Il cane risulterà armato. Tenere l'arma in sicura sino al momento del voluto sparo.

 **ATTENZIONE:** Non mettete mai la mano davanti alla bocca della pistola.

 **ATTENZIONE:** L'arma è carica e pronta all'uso. Per evitare eventuali pericoli, tenere le dita lontane dal grilletto sino al momento del voluto sparo.

6 Sparo

La pistola P 22 è concepita per sparare in due modi diversi: in doppia azione oppure in singola azione. Sparare in doppia azione significa che con una cartuccia in camera e con il cane disarmato il grilletto viene azionato completamente a fondo fino allo scatto. Sparare in singola azione significa invece che con una cartuccia in camera il cane viene armato a mano prima di azionare il grilletto. In seguito al moto ripetitore dell'otturatore l'introduzione di una nuova cartuccia in camera e l'armamento del cane avvengono in modo automatico.

7. DISARMAMENTO DEL CANE

8. PISTOLA CON CARICATORE VUOTO

7 Disarmamento del cane

Mettere l'arma in sicura. Tenere fermo il cane con il pollice. Azionare il grilletto e portare il cane lentamente in avanti.



ATTENZIONE:

DURANTE IL DISARMAMENTO DEL CANE, NON PUNTA-RE MAI LA PISTOLA CONTRO UNA PERSONA OPPURE IN UNA DIREZIONE CHE NON SIA SICURA

8 Pistola con caricatore vuoto

La leva arresto otturatore trattiene l'otturatore nella posizione aperta dopo che è stata sparata l'ultima cartuccia. Mettere l'arma in sicura. Per poter continuare a sparare, sostituire il caricatore vuoto con uno pieno. Azionare la leva arresto otturatore (Fig. 8). L'otturatore scorrerà in avanti incamerando la prima cartuccia. Eseguendo le operazioni di cui sopra occorre tenere stretta la pistola con la mano destra (o quella sinistra in caso di tiratori mancini) mantenendo la volata rivolta verso il basso. Non puntare mai l'arma contro una persona oppure in una direzione che non sia sicura.



ATTENZIONE:

L'ARMA È CARICA E PRONTA ALL'USO. PER EVITARE EVENTUALI PERICOLI, TENERE LE DITA LONTANE DAL GRILLETTO SINO AL MOMENTO DEL VOLUTO SPARO.

Mettere l'arma in sicura se non si desidera continuare a sparare. Rimuovere il caricatore dall'impugnatura e verificare che la camera di cartuccia sia vuota (Fig. 9). Chiudere l'otturatore e disarmare il cane.

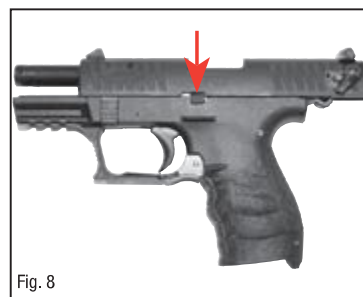


Fig. 8

9 Scaricamento della pistola

Mettere l'arma in sicura. Rimuovere il caricatore dall'impugnatura ed arretrare l'otturatore fino all'arresto.

La cartuccia alloggiata nella camera di cartuccia verrà espulsa.



ATTENZIONE:

ESEGUIRE UN CONTROLLO VISIVO PER ASSICURARSI CHE LA CANNA SIA VUOTA!

10 Smontaggio e rimontaggio della pistola

Eccezione fatta per i componenti il cui smontaggio è espressamente consentito nelle presenti istruzioni per l'uso non è permesso smontare la pistola. Interventi di smontaggio e di rimontaggio non autorizzati o non appropriati e qualsiasi inosservanza delle presenti istruzioni per l'uso liberano il costruttore da tutti gli impegni di garanzia e di responsabilità per eventuali danni a persone oppure danni materiali che ne potrebbero risultare.



ATTENZIONE:

METTERE L'ARMA IN SICURA, RIMUOVERE IL CARICATORE ED ASSICURARSI CHE L'ARMA SIA SCARICA.

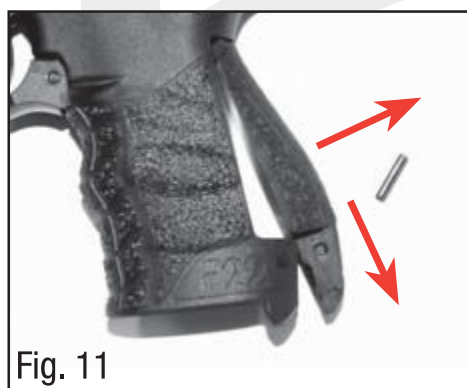
Usando la versione da 5" occorre prima rimuovere il contrappeso della canna (vedi pagina 96). Tirare il chiavistello di smontaggio verso il basso ed armare il cane. Arretrare l'otturatore fino all'arresto, sollevarlo sull'estremità posteriore e farlo scorrere in avanti. Rimuovere il guidamolla (Fig. 10). Per rimontare i componenti occorre eseguire le operazioni di cui sopra in ordine inverso.

P22Q

11. ADATTAMENTO DELL'IMPUGNATURA

11 Adattamento dell'impugnatura

Per garantire una salda presa dell'arma e rendere l'impugnatura adatta sia a mani piccole che grandi si ha la possibilità di sostituire la parte posteriore dell'impugnatura. A tal proposito occorre rimuovere la spina con un utensile appropriato (Fig. 12) e reinserirla dopo il montaggio della parte posteriore più grande ossia più piccola.



12. SOSTITUZIONE DELLA CANNA

12 Sostituzione della canna

Per la P 22 sono disponibili due canne intercambiabili (87 mm / 127 mm).



ATTENZIONE:

METTERE L'ARMA IN SICURA PRIMA DI SOSTITUIRE LA CANNA. RIMUOVERE IL CARICATORE ED ASSICURARSI CHE L'ARMA SIA SCARICA.

Tirare il chiavistello di smontaggio verso il basso ed armare il cane. Smontare l'otturatore (Fig. 10). Svitare il dado di fissaggio canna per mezzo della chiave a bocca in dotazione. Smontare il manicotto e rimuovere la canna dalla cassa tirandola all'indietro (Fig. 12). Al montaggio del manicotto assicurarsi che la camma prevista all'interno della cassa s'incastri nell'intaglio del manicotto (Fig. 13). In seguito bloccare nuovamente il dado di fissaggio della canna.

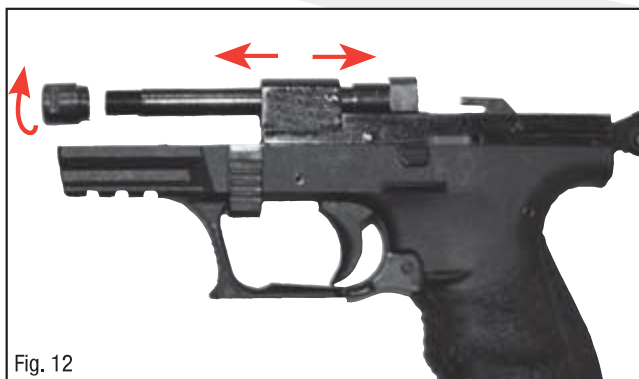


Fig. 12

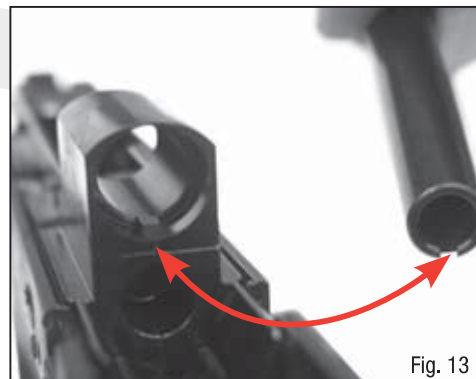


Fig. 13

P22Q

12. SOSTITUZIONE DELLA CANNA

Rimontare i componenti seguendo la procedura in ordine inverso.

Montare la molla 2668904 fornita con la canna intercambiabile.

Usare la spina di montaggio 512.40.21.1 per arretrare l'otturatore (Fig. 14).

Montare il contrappeso della canna, fissarlo con la spina filettata e serrarlo con le viti.

Sostituire il mirino sulla canna con un tappo cieco.

Prima di montare il contrappeso della canna, accertarsi che il dado di cui è dotata la canna sia stato serrato a fondo. Controllare il corretto serraggio del dado in caso il contrappeso non sia ben fissato sulla canna.

Per smontare il contrappeso della canna occorre rimuovere la spina filettata (Fig. 15/2.) per poi svitare le viti (Fig. 15/3.). Rimuovere il contrappeso dopo aver eseguito le operazioni di cui sopra.

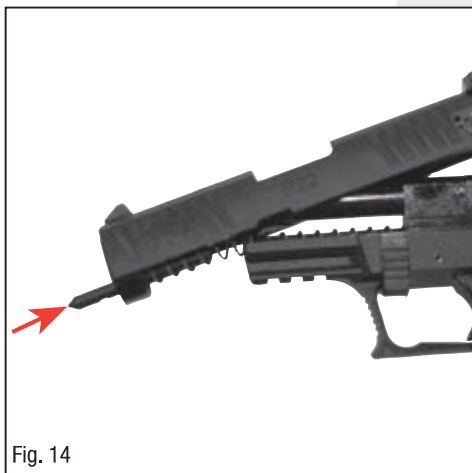


Fig. 14

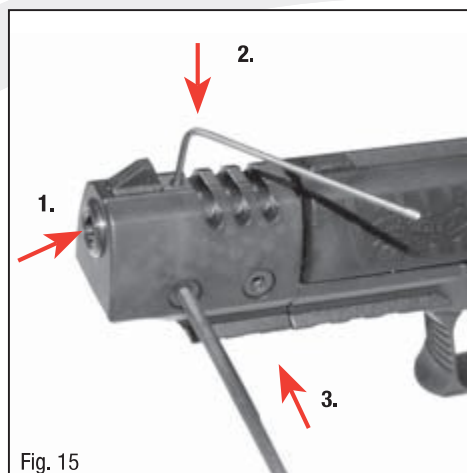


Fig. 15

13. ACCESSORI SPECIALI

13 Accessori speciali

 <p>Sistema di canna intercambiabile Target Consente di trasformare la versione Standard nella versione Target con contrappeso canna. Lunghezza canna 127 mm. N. art. 512.506</p>	 <p>Sistema di canna intercambiabile Standard Consente di trasformare la versione Target nella versione Standard. Lunghezza canna 87 mm. N. art. 512.502</p>
 <p>Caricatore con prolunga N. art. 512.604 (v. figura) senza prolunga N. art. 512.602 (senza figura)</p>	 <p>Laser L'otturatore „Quick Release“ consente di montare e smontare il laser in pochi secondi. I LED situati su entrambi i lati si accendono quando il laser è in funzione. N. art. 512.104</p>
 <p>Chiave per canna Per montare e smontare il sistema di canna intercambiabile. N. art. 512.50.05.1</p>	
 <p>WALTHER Top Point II Intensità del punto luminoso regolabile a 12 livelli differenti, montato con anelli Weaver e coperchi parapolvere. N. art. 267 61 50</p>	 <p>Montaggio ponte Adatto per il sistema di puntamento con punto luminoso WALTHER Top Point II. Si fissa facilmente alla guida Weaver posta sull'impugnatura della P22. N. art. 512.102</p>

14. PULIZIA DELLA PISTOLA
15. CONSERVAZIONE DELL'ARMA
16. RIPARAZIONE DELLE ARMI WALTHER

14 Pulizia della pistola

Per mantenere l'arma in piena efficienza nel tempo e garantirne una lunga durata e la massima sicurezza d'uso, occorre eseguire le operazioni di pulizia ad intervalli regolari.



ATTENZIONE:

METTERE L'ARMA IN SICURA, RIMUOVERE IL CARICATORE, APRIRE IL CARRELLO E CONTROLLARE LA CANNA E LA CAMERA DI CARTUCCIA.

Smontare l'arma e pulire l'otturatore, i labbri del caricatore, l'elevatore e l'impugnatura usando uno scovolo ed uno straccio. Pulire la canna con uno scovolo imbevuto di olio. Far passare delle bacchette più volte all'intero della canna introducendole dal lato della camera di cartuccia. Lubrificare i componenti in metallo con un leggero strato di olio.

Rimontare l'arma e controllarne il perfetto funzionamento.

15 Conservazione dell'arma



ATTENZIONE:

NON ABBANDONARE MAI UN'ARMA CARICA!

Prima di conservare l'arma in un idoneo luogo di deposito bisogna assicurarsi che sia scarica ed in sicura. Tenere l'arma fuori dalla portata di bambini e di persone non esperte. L'arma e le munizioni devono essere conservate in luoghi separati.

15 Riparazione delle armi Walther

Un'arma danneggiata può essere fonte di gravi pericoli. Per evitare eventuali incidenti l'arma deve essere conservata in un luogo sicuro finché non sia stata riparata. La riparazione dell'arma è molto difficile e va eseguita da un esperto. Un eventuale rimontaggio non corretto può provocare pericolose anomalie nel funzionamento dell'arma.



ATTENZIONE:

FAR CONTROLLARE E RIPARARE L'ARMA DA FUOCO ESCLUSIVAMENTE DA UN RIVENDITORE AUTORIZZATO O DA UN ARMAIOLO COMPETENTE!

17 Garanzia

Entro i primi due anni dalla data d'acquisto, WALTHER provvederà alla riparazione o la sostituzione gratuita dell'arma, purché il difetto non sia dovuto a negligenza o maneggio non corretto.

La garanzia della WALTHER si riferisce al materiale e alla lavorazione dell'arma. In caso di notifica per iscritto alla WALTHER da parte del proprietario originario dell'arma entro due anni dalla data d'acquisto, il difetto verrà riparato gratuitamente entro un periodo di tempo ragionevole, a contare dalla consegna dell'arma secondo le modalità qui sotto indicate. Possibilmente l'arma deve essere inviata nell'imballaggio originale al servizio di assistenza WALTHER. Per il trasporto ovvero l'invio si prega di osservare le normative relative a possesso e uso delle armi. Inoltre devono essere allegate le richieste di garanzia (in forma scritta) e una copia del documento di vendita intestato al proprietario la quale riporti la data di acquisto.



ATTENZIONE:

IMPORTANTE! PRIMA DI TRASPORTARE UN'ARMA, ACCERTATEVI CHE SIA SCARICA E CON LA SICURA INSERITA.

I reclami in garanzia devono specificare il modello e il numero di serie dell'arma, oltre a una descrizione dei problemi riscontrati. Si raccomanda al proprietario di assicurare la spedizione dell'arma, poiché WALTHER declina ogni responsabilità in caso di perdita o danneggiamento durante il trasporto. Le spese di trasporto e assicurazione per la restituzione dell'arma al proprietario saranno sostenute da WALTHER se il reclamo è coperto dalla garanzia.

LA PRESENTE GARANZIA È LIMITATIVA E SOSTITUISCE OGNI ALTRA CONVENZIONE PRECEDENTE, ANCHE VERBALE O TACITA.

WALTHER NON CONCEDE GARANZIE IMPLICITE RELATIVE ALLA COMMERCIALIZZABILITÀ O IDONEITÀ PER UNO SCOPO SPECIFICO E DECLINA QUALSIASI RESPONSABILITÀ PER LA VIOLAZIONE DELLA GARANZIA CONCESSA A NORMA DI LEGGE.

IN NESSUN CASO WALTHER POTRÀ ESSERE RITENUTA RESPONSABILE IN CASO DI DANNI ACCESSORI O INDIRECTI, INDIPENDENTEMENTE DAL FATTO CHE SI TRATTERÀ DI DANNI ECONOMICI, FERITE, DECESSO O DANNI MATERIALI CHE SIANO RICONDUCIBILI ALLA VIOLAZIONE DELLA PRESENTE GARANZIA, A NEGLIGENZA O ALTRO.

P22Q

17. GARANZIA

WALTHER non risponderà per:

- Dietti o malfunzionamenti risultanti da manipolazione incauta, regolazioni o modifiche non autorizzate eseguite o tentate da persone diverse da un armaiolo qualificato che segue le procedure autorizzate WALTHER, oppure dovute allo smontaggio dell'arma oltre i limiti definiti dalle istruzioni contenute nel presente manuale.
- Uso di munizioni difettose o non adatte, corrosione, negligenza, uso non corretto, usura ordinaria, oppure utilizzo non ragionevole.
- Uso criminale, negligenza, rivendita, uso sotto l'influenza di farmaci o alcool.

WALTHER si riserva il diritto di determinare ciò che costituisce usura ordinaria. La presente garanzia vi concede diritti legali specifici. Potete altresì beneficiare di altri diritti che variano da stato a stato. Nota: È esclusa ogni responsabilità in caso di mancata osservanza delle istruzioni riportate nel presente manuale.

CONTATTO & SPEDIZIONE



Carl WALTHER GmbH

Service

Postfach 4325

Im Lehrer Feld 1

Tel. +49 (0) 731 / 15 39 0

D - 89033 Ulm

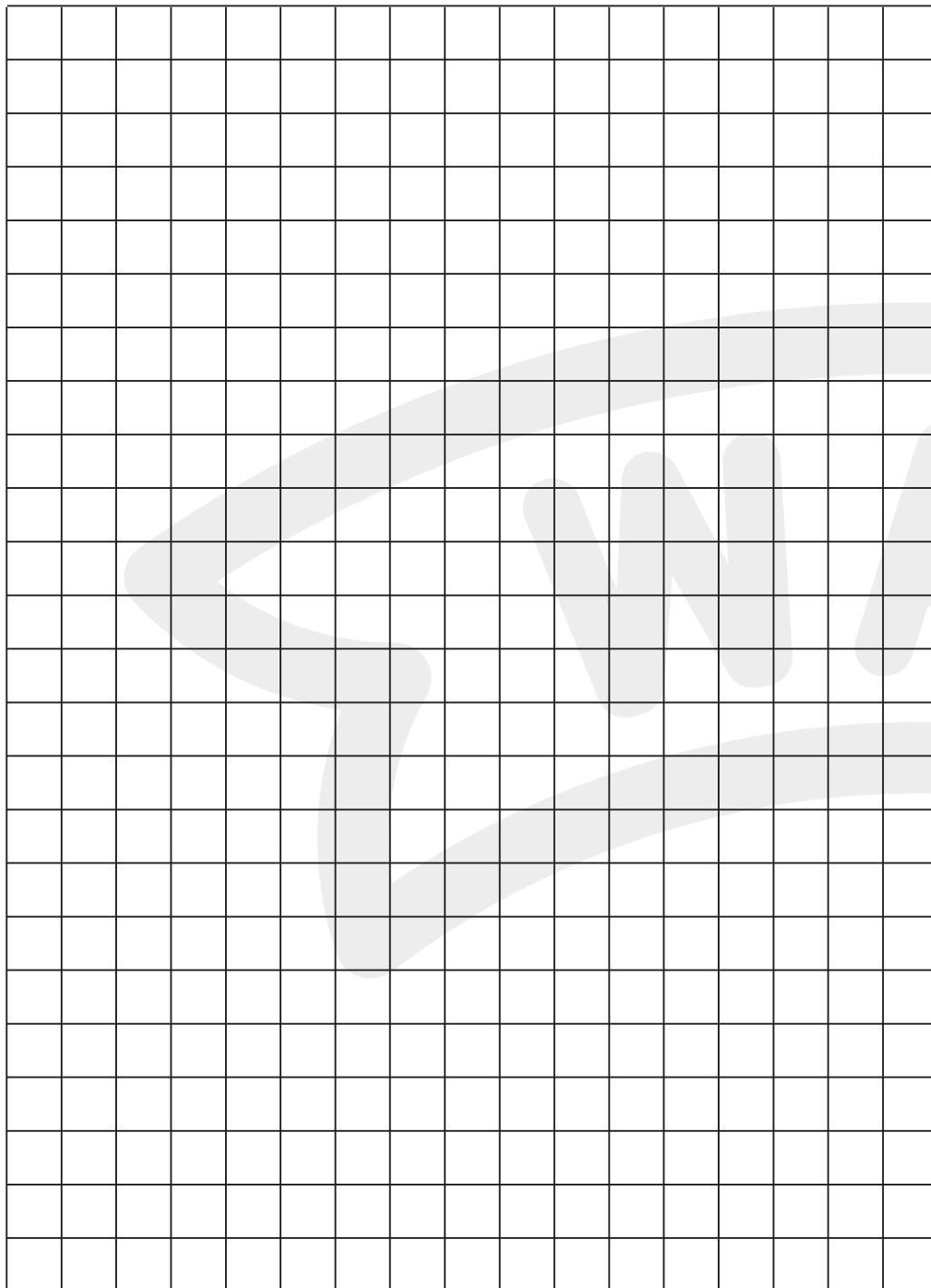
D - 89081 Ulm

Fax +49 (0) 731 / 15 39 109

18. DATI TECNICI

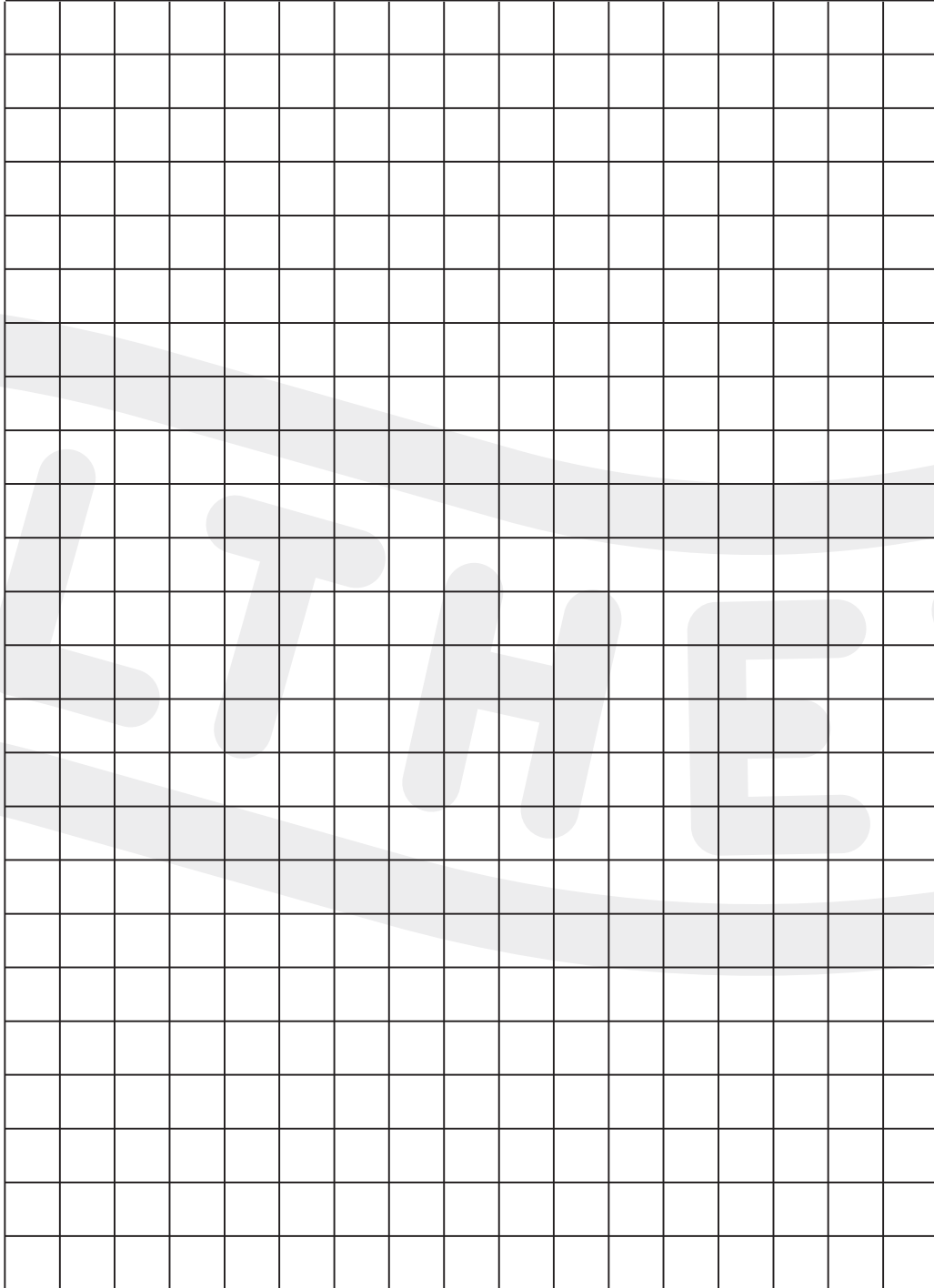
Calibro	.22 l.r.
Tipo di chiusura	a molla / massa
Azione	doppia / singola
Forza pressione grilletto normale (in azione singola)	ca. 2.2 kg
Forza pressione grilletto con armamento cane(in azione doppia)	ca 5.6 kg
Percorso grilletto normale (in azione singola)	ca. 4 mm
Percorso grilletto con armamento cane(in azione doppia)	ca. 16 mm
Capacità caricatore	10 colpi
Dimensioni (l x a x l)	160/114/28 (200/114/28)
Lunghezza canna	87 mm (127 mm)
Linea di mira	130 mm (170 mm)
Larghezza tacca di mira	4.5 mm
Larghezza mirino	3.6 mm
Gewicht mit Magazin	480 g (575 g)

P22Q
NOTES





NOTES





Carl WALTHER GmbH

Sales

P.O.Box 2740
D - 59717 Arnsberg
Donnerfeld 2
D - 59757 Arnsberg
Phone +49 / (0)2932 / 63 81 00
Fax +49 / (0)2932 / 63 81 49

Service

P.O.Box 4325
D - 89033 Ulm
Im Lehrer Feld 1
D - 89081 Ulm
Phone +49 / (0)731 / 15 39 0
Fax +49 / (0)731 / 15 39 109

NALTHE

All technical changes and modifications reserved.
Technische Änderungen vorbehalten.
Sous réserve de modifications techniques.
Queda reservado el derecho a realizar cambios
Con riserva di modifichè tecniche.

Copyright © 2014 · Carl Walther GmbH

8.512.95.02-12.2014 Rev.E

WWW.CARL-WALTHER.COM