

Heritage[™]
MANUFACTURING INC.



ROUGH RIDER SMALL-BORE

INSTRUCTION MANUAL

GENERAL SAFETY, OPERATING INSTRUCTIONS AND LIMITED WARRANTY

READ CAREFULLY BEFORE USING YOUR FIREARM

Important: Keep this manual with your firearm.

The information contained in this manual is useful, both for beginners and experienced shooters. In addition to important information about the function, cleaning, and care of the firearm, the manual contains instructions that will be very helpful in shooting. The most important rule of safe firearm handling is always keep the muzzle pointed in a safe direction.



ROUGH RIDER SMALL-BORE

HeritageMfg.com

 /heritagemfg

 @heritagemfginc

 /heritagemfg

- Available in .22 Long Rifle (.22 L.R.) / .22 Winchester Magnum Rimfire (.22 WMR)
- Fixed or adjustable rear sight
- Single action
- Steel barrel
- Variety of Grips
- 6 or 9 rounds



Accessories and parts available at
HeritageMfg.com

CONTENTS

Firearm Safety	4	Care and Maintenance	24
Get To Know Your Revolver	10	Exploded View	26
Ammunition	15	Heritage Service Policy.....	28
Operating Instructions	18	Limited Warranty.....	30



DANGER

Single action revolvers such as the Rough Rider will fire if dropped with the hammer down on a live cartridge.



WARNING

The safety warnings in this booklet are important. By understanding the dangers inherent in the use of any firearm, and by taking the precautions described herein, you can safely enjoy your Heritage firearm. Failure to follow any of these warnings could result in serious injury to you or others, as well as severe damage to the firearm or other property.

SIGNAL WORDS AS DEFINED BY ANSI Z535.6 AND Z535.4 STANDARDS.



DANGER

DANGER indicates a hazardous situation which, if not avoided, will result in death or serious injury.



WARNING

WARNING indicates a hazardous situation which, if not avoided, could result in death or serious injury.



CAUTION

CAUTION indicates a hazardous situation which, if not avoided, could result in minor or moderate injury.

NOTICE

NOTICE is used to address practices not related to physical injury.

FIREARM SAFETY



WARNING

Do not carry this revolver with a live cartridge chambered under the hammer and firing pin. Keep an empty chamber under the hammer with the hammer block in the up (safe) position.

The three basic keys to safe handling of firearms:

1. KEEP YOUR FINGER OFF THE TRIGGER UNTIL YOU ARE READY TO FIRE. If you maintain good trigger discipline, it is extremely unlikely the firearm will fire.

2. KEEP THE MUZZLE POINTED IN A SAFE DIRECTION. Even if the firearm discharges, if the muzzle is pointed in a safe direction, no one will be injured.

3. NEVER TRUST ANY SAFETY MECHANISM. If you adopt the attitude that you will not trust any safety mechanism, you will be vigilant about keeping your finger off the trigger and keeping the muzzle pointed in a safe direction.



WARNING

When a firearm discharges, the bullet or shot can strike a person, resulting in death or serious bodily injury.



WARNING - KNOW YOUR TARGET

Never fire at targets at close range. Ricochets can and do cause death or serious bodily injury. What constitutes "close range" depends on many factors including target material, bullet caliber and angle of impact.

KNOW WHAT IS BEHIND YOUR TARGET. Unless you are shooting into a bullet trap designed to capture the type of ammunition you are firing, projectiles may pass through the target and strike anyone or anything beyond. Bullets can travel miles.

ALWAYS WEAR HEARING PROTECTION. Firearms are loud. The sound they generate is greater indoors. Repeated exposure to loud noises can cause deafness. Hearing protection is rated by decibel reduction. Look for “dB” reduction of 30 or more when purchasing ear protection. Modern ear protection can allow normal hearing until the sound from the discharge reaches the ear. Significant protection can be achieved by layering hearing protection, for example, wearing 30dB rated foam plugs along with 20dB rated ear muffs.

ALWAYS WEAR EYE PROTECTION. In normal operation, firearms emit hot high-velocity gases, particles and metal. These materials flying into your eye can cause blindness. Protect your vision with proper eye protection. Any eye protection may be better than none, but look for ANSI Z87.1-2003 certified eyewear for the best protection.

NEVER HANDLE FIREARMS WHILE UNDER THE INFLUENCE OF DRUGS OR ALCOHOL. Firearms are dangerous. Handling firearms while impaired by drugs or alcohol is foolhardy and can result in serious injury or death. This warning includes prescription drugs that contain a warning about using machinery or driving while taking the medication.

MODIFIED FIREARMS ARE DANGEROUS, AND USE CAN RESULT IN SERIOUS INJURY OR DEATH. “Trigger jobs,” polishing original components or installing aftermarket parts can cause a firearm to function in ways different than intended. Some such work may also be illegal.

DAMAGED FIREARMS ARE DANGEROUS, AND USE CAN RESULT IN SERIOUS INJURY OR DEATH. Repairs should always be made by a qualified gunsmith or by a factory-authorized repair site. Work done by those unfamiliar with the design can cause a firearm to function in ways different than intended.

NEVER ATTEMPT TO DISASSEMBLE OR CLEAN A LOADED FIREARM. DOING SO CAN RESULT IN SERIOUS BODILY INJURY OR DEATH. How often have we heard “But it went off while I was cleaning it!” or, “I did not know it was loaded!” or, “It was jammed, and I tried to take it apart!”?

IF A FIREARM GOES OFF, THERE WAS A ROUND OF AMMUNITION IN THE CHAMBER. Period. “Clear” (or empty) the firearm of all ammunition before disassembling or cleaning.

As owner of your new Heritage firearm, you are responsible for: (1) never carrying with a live cartridge under the hammer; (2) keeping your finger off the trigger; (3) pointing the muzzle in a safe direction; (4) using your thumb to open loading gate, cock the hammer to the second click, and turning the cylinder; and (5) inspecting each chamber to confirm the revolver is empty.

FIREARMS SAFETY SYSTEMS

Firearms safety is supported by a system. With your revolver, the system is made up of the following:

- 1. You!** Your involvement in safety cannot be overemphasized. No safety component can keep your finger off the trigger and the muzzle pointed in a safe direction. Also, you are the key to never trusting any of the mechanical parts of the safety system.
- 2. Hammer Block.** Always use the manual hammer block. It is designed to prevent the hammer from being able to contact the firing pin. When you need it to work, it needs to be all the way in the up (safe) position, not half way or at some other point in its travel. Don't play with the hammer block and you will avoid accidents. Always keep the hammer block in the up (safe) position unless actually firing.
- 3. Trigger Guard.** This is a physical obstruction that helps prevent unintended pressing of the trigger. Do not modify the trigger guard.
- 4. This Manual.** Use this manual to learn about your revolver and to help you use your revolver safely. If you use the manual, you will be a long way toward being a knowledgeable and safe firearms owner.
- 5. Online Resources.** HeritageMfg.com hosts a library of videos concerning safety and related issues. This library is being supplemented and revised. Please visit the site and take advantage of what is available there as part of your education regarding using your revolver in a safe fashion.

CARRYING FIREARMS

Carrying a firearm can be dangerous and puts great responsibility on the person in possession of the firearm. Carrying or handling a firearm makes it more difficult to maintain control over the muzzle and makes it more likely that the firearm may be dropped or bumped, resulting in the firearm discharging. There are advantages and disadvantages to various methods of carrying any firearm. Educate yourself and choose which carry method is best for you and those around you.

In almost all circumstances, it is safest to carry a handgun in a holster designed for that specific handgun. Carrying a handgun in a pocket or in a waistband is always a last choice. Carrying any handgun in a holster that fits the firearm should prevent it from accidentally falling and you from losing control of the muzzle.

Heritage revolvers should be carried with an empty chamber under the hammer.

PISTOL AND REVOLVER SIZE AND SAFETY

The selection of a revolver versus a pistol as well as the size, caliber and magazine capacity of handgun are personal choices. There are many choices to be made, and there are advantages and disadvantages for each.

Generally speaking, smaller handguns may require more attention to be handled safely than medium or full-size handguns. This is because their small size makes it easier to point the muzzle at your hand or to “sweep” (swing the muzzle across your body) yourself or others in ordinary handling.

When loading the cylinder keep the muzzle pointed in a safe direction.



WARNING - CARRYING

Do not carry this revolver with a live cartridge under the hammer and firing pin. Keeping an empty chamber under the hammer with the hammer block in the up (safe) position is good insurance against accidental firing.

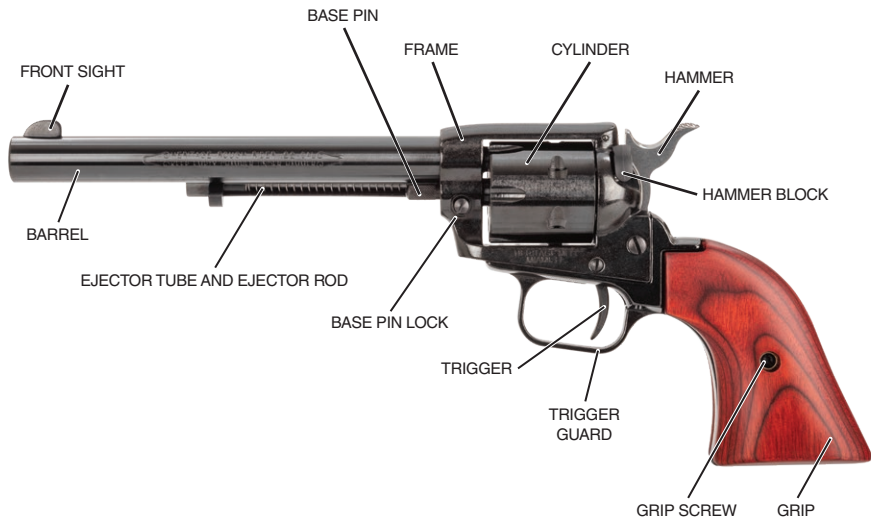


WARNING - HANDLING

Single action revolvers such as the Rough Rider can fire if your thumb slips off the hammer while you are pulling the trigger to lower the hammer.

NEVER CARRY ANY REVOLVER WITH THE HAMMER COCKED OR THE TRIGGER HELD TO THE REAR

GET TO KNOW YOUR REVOLVER



SPECIFICATIONS

Model	Rough Rider
Caliber	.22 L.R. / .22 WMR
Action	SA
Capacity	6 / 9
Barrel Length	3.5" / 4.75" / 6.5" / 9" / 16"
Overall Length	8.78" / 10" / 11.785" / 14.28" / 21.37"
Overall Height	4.852"
Overall Width	1.436"
Overall Weight	28 oz. / 30.6 oz. / 33.2 oz. / 36.9 oz. / 49 oz. unloaded
Sights (Front)	Fixed
Sights (Rear)	Fixed / Fully Adjustable
Materials	Frame: Zamak 5 Barrel: 1215 steel
Safety Device	Hammer Block
Finish	Black, satin, case hardened or two tone

FIREARMS STORAGE AND GUN LOCKS

How you secure your firearms is a personal choice based on the unique circumstances in your home, business or vehicle and the laws of the state where your firearm is located. Any choice you make about securing your firearms will present advantages and disadvantages. You must weigh those advantages and disadvantages and choose which security method is best for you and those around you.



WARNING - LOCKING

Never lock a loaded firearm. Unlocking a loaded firearm makes it more difficult to maintain trigger discipline and to keep the muzzle pointed in a safe direction.



WARNING

Securing your firearm may inhibit access in a defensive situation and may result in injury or death.



WARNING

Failure to secure a firearm may result in injury or death. Properly securing a firearm means storing your firearm unloaded, decocked and securely locked, with all ammunition in a separate location.

LOCKING DEVICE INSTALLATION INSTRUCTIONS



WARNING - LOCKING DEVICES

- Always keep your firearm pointed in a safe direction, including when you are installing or removing your locking device.
- Always verify that your firearm is completely unloaded (see page 20) before installing your locking device.
- Do not install locking devices in the trigger guard; always keep your fingers and locking device outside the trigger guard during device installation and removal.
- Store firearms, ammunition and keys separately and securely, away from children and careless adults; do not store your firearm with the keys in the locking device.
- Do not attempt to work the action of your firearm with the locking device in place; this may damage your firearm.
- While locking devices are an important aid to security measures, they are not a substitute for safe firearm handling and proper storage. Remember that any mechanical device can be bypassed with enough time, knowledge, determination and equipment.

LOCKING DEVICES MUST BE USED SAFELY AND RESPONSIBLY

It is important to use the locking device on your Heritage® firearm!

Keep the muzzle pointed in a safe direction and your fingers outside the trigger guard at all times during installation of the locking device!

To Install the Factory-Supplied Locking Device:

1. Be sure the firearm is completely unloaded and contains no cartridges or cartridge cases.
2. Cock the hammer until you hear a second click.
3. Swing the loading gate open.
4. Use your thumb to press on base pin lock.
5. Pull the base pin out.
6. Push the cylinder out of frame from left to right.
7. Feed the cable portion of the cable lock through the firearm frame and cylinder as shown.



	<p> WARNING</p> <p>Never leave your keys in the lock when the lock is installed on the firearm.</p>
---	---

AMMUNITION



WARNING

Using the wrong ammunition in your revolver can result in serious bodily injury and damage to your revolver. Make certain the ammunition you load is the same caliber as is marked on the revolver.



WARNING - AMMUNITION AND INDUSTRY STANDARDS

Use only clean, dry factory-loaded ammunition. Old, damaged, wet or oily ammunition may fire at pressures higher than industry standard, causing injury to you and bystanders or damage to your revolver.

Do not use reloaded ammunition in your revolver. Its firing pressures are unknown and may well exceed industry standard, causing injury to you and bystanders or damage to your revolver.

Odd sounds are signs of trouble. If a round "does not sound right" when it goes off, stop firing right away. A bullet may be stuck in the barrel. Firing the revolver in this condition will cause injury to you and bystanders or damage to your revolver.

If you hear any odd sounds when firing your revolver, stop firing, and unload the revolver in accordance with the procedure in this manual. Once unloaded and all cylinders are empty and clear, with the cylinder removed, inspect the bore. If you don't see light, there is something stuck in the bore. Do not fire the revolver again and take the revolver to a qualified gunsmith or contact the Heritage Service Department at 800-327-3776.



WARNING - LEAD AND HAZARDOUS CHEMICAL EXPOSURE

Discharging firearms in poorly ventilated areas, handling, and /or cleaning firearms or handling ammunition can expose you to chemicals including lead which is known to the state of California to cause cancer and birth defects or other reproductive harm. For more information, go to www.P65Warnings.ca.gov

Have adequate ventilation at all times. Wash hands thoroughly after exposure with soap and water.

SHOOTING OR CLEANING GUNS MAY EXPOSE YOU TO LEAD

FIREARMS ARE NOT ALL ALIKE

Many makes and models of firearms might LOOK nearly the same. However, they differ widely in design, operation, and in the location and function of various controls. You may access the Heritage website at HeritageMfg.com to view and print manuals.



WARNING - ANY GUN MAY FIRE IF DROPPED

If dropped or struck, the revolver may fire. Keep the cylinder empty unless actually firing!



WARNING

If dropped or struck the firearm should be inspected by a trained armorer/gunsmith for a complete function check. After the firearm was dropped or struck, it may not function as intended resulting in accidental death or serious injury.

OPERATING INSTRUCTIONS

USING THE HAMMER BLOCK

1. Point the revolver in a safe direction.
2. Pull the hammer back to the second notch (or click).
3. Push the hammer block into the up (safe) position as shown.
4. Always keep the hammer block in the up position, except when actually firing.



SAFE POSITION



FIRING POSITION

A CLASSIC “FOUR CLICK” SINGLE-ACTION REVOLVER

Your Rough Rider is a classic “four click” single-action revolver. With the Rough Rider pointed in a safe direction, the hammer block in the up (safe) position and your finger outside the trigger guard, pull the hammer back to the first “click.” This is the old Colt “safety notch.” **DO NOT RELY ON THE SAFETY NOTCH.** Always leave an empty chamber under the hammer. See **LOADING** section.

Pull the hammer back to the second notch (or click). This is the “loading notch.” In this position the cylinder spins freely and the Rough Rider can be loaded and unloaded through the loading gate when it is open.

The third notch is of no consequence to the shooter. Pull the hammer all the way to the rear or fourth notch. This is the “cocked” position and the Rough Rider will fire if the hammer block is in the down (fire) position and a loaded cartridge is under the hammer.



WARNING

Single-action revolvers such as the Rough Rider can fire if your thumb slips off of the hammer spur while you are pulling the trigger to lower the hammer.

TIP

Practice lowering the hammer with your Rough Rider completely empty and pointed in a safe direction until you are comfortable.

! CAUTION

Please be sure not to “dry fire” the revolver. If you cock the hammer and pull the trigger on an empty chamber and the hammer block is not in the “up” position, the hammer will strike the firing pin, causing the firing pin to hit the revolver’s cylinder. When the firing pin hits the cylinder it will become damaged, dented and will void the manufacturer’s warranty.

UNLOADING

1. Point the revolver in a safe direction.
2. Push the hammer block to the up position.
3. Pull the hammer back to the second notch (or click), and the cylinder will turn freely.
4. Open the loading gate to expose the chambers.
5. Line up the chamber with the ejector rod, and push out the cartridge. Line up the next chamber and repeat this until all chambers are unloaded. Be sure to double check that all chambers are empty.





WARNING

If you experience difficulty in unloading your Rough Rider, STOP! Make certain the hammer block is in the up (safe) position. With the Rough Rider pointed in a safe direction, lower the hammer to the first notch (old safety notch). Take your Rough Rider to a qualified gunsmith.



WARNING

Do not carry this revolver with a live round chambered under the hammer and firing pin. Keeping an empty chamber under the hammer with the hammer block in the up position is good insurance against accidental firing.

LOADING

Loading your revolver to carry and loading your revolver to shoot right away are very different.

If you must carry your Rough Rider, for models with a 6 shot cylinder, "**load one, skip one, load four**". For models with a 9 shot cylinder, "**load one, skip one, load 7**". That way your Rough Rider will have an empty chamber under the lowered hammer, but will fire when you cock the hammer back and pull the trigger.

LOADING TO CARRY

1. Point the revolver in a safe direction.
2. Put the hammer block in the up (safe) position.
3. Pull the hammer back to the second notch (or click) so the cylinder will turn.
4. Open the loading gate to expose the chambers in the cylinder.

5. Rotate the cylinder, viewing each chamber through the open loading gate to make certain the revolver is unloaded.
6. Insert one cartridge in the first chamber, then turn the cylinder but skip the next chamber. **Leave it empty!**
7. Then rotate the cylinder loading the next four (6 shot model) or seven chambers (9 shot model) and close the loading gate.
8. Pull the hammer all the way back, then lower the hammer.



LOADING TO FIRE RIGHT AWAY

1. Point the revolver in a safe direction.
2. Put the hammer block in the up position.
3. Pull the hammer back to the second notch (or click), and the cylinder will turn freely.
4. Open the loading gate to expose the chambers.
5. Insert one cartridge in each chamber until the cylinder is loaded, then close the loading gate.

FIRING

1. Keep the hammer block in the up (safe) position.
2. Keep your finger out of the trigger guard until you are ready to fire.
3. Point the revolver at the target and be sure of what lies behind it.
4. Pull the hammer all the way back with a smooth stroke until it stops.
5. Flip the hammer block down to disengage it.
6. Put your finger inside the trigger guard and slowly squeeze after you line up the sights on the target.

 **WARNING**

Quick draw and/or fanning the hammer are dangerous and abusive to your revolver. Never quick draw a loaded revolver. Fanning and quick drawing will void your manufacturer's warranty.

 **WARNING**

All revolvers have a side blast of cylinder gas. As hot gases push the bullet down the barrel, gas will escape from the gap between the barrel and the cylinder. Be sure that onlookers are behind you.

 **WARNING**

Always listen for squib loads. A squib load is a projectile that gets stuck in the barrel. It has an abnormal sound upon discharge. This malfunction is dangerous because, if disregarded, you may fire another round directly into the obstructed barrel, causing your gun to "explode" and incurring injuries to you and those around you.

 **WARNING**

Keep people behind and away from you and keep your hands and body clear of the sides of the revolver when firing. Always wear safety glasses when firing this or any other firearm.



WARNING

Exposure to firing without ear protection will lead to hearing loss. Always be sure to wear appropriate hearing protection when firing. Ask your local dealer to show you what is available to protect your ears from hearing loss.

CHANGING CYLINDERS

1. Keep the hammer block in the up (safe) position.
2. Pull the hammer back to the second notch (or click).
3. Check every chamber to be sure it is empty. Never change cylinders that are loaded.
4. Press the base pin lock nut while pulling the base pin out of the frame. (Fig. 1)
5. Remove cylinder. (Fig. 2)
6. The following ammunition can be fired in the Long Rifle Cylinder: .22 L.R., .22 Long, .22 Short, .22 CB (in cap, short, long, and long rifle lengths), .22 BB (in cap, short, and long lengths).
7. Only .22 WMR ammo can be fired in the .22 Magnum Cylinder.
8. Only the 6-shot cylinder will work in 6-shot gun.
9. Only the 9-shot cylinder will work in 9-shot gun.



WARNING

Never remove or install a loaded cylinder. If dropped or struck on a hard surface, the ammunition can fire.

WARNING - FIRING



When firing any revolver, be sure all persons are a safe distance to the rear of the shooter. When fired, all revolvers discharge hot gas and particles through the clearance gap between the cylinder and rear of the barrel during normal use.

When firing any revolver, always be certain that nothing including your hands, fingers, and any body parts are not in the path of hot gases and particles which are discharged from the front and sides of the cylinder.

HOT GASES EXIT BARREL/CYLINDER GAP

CARE AND MAINTENANCE

1. The firearm may be cleaned and lubricated under normal conditions without the need of any disassembly. Do not disassemble the barrel.
2. In special conditions, such as repairs, when disassembly is necessary, it is recommended the firearm be returned to the factory or sent to a qualified gunsmith.

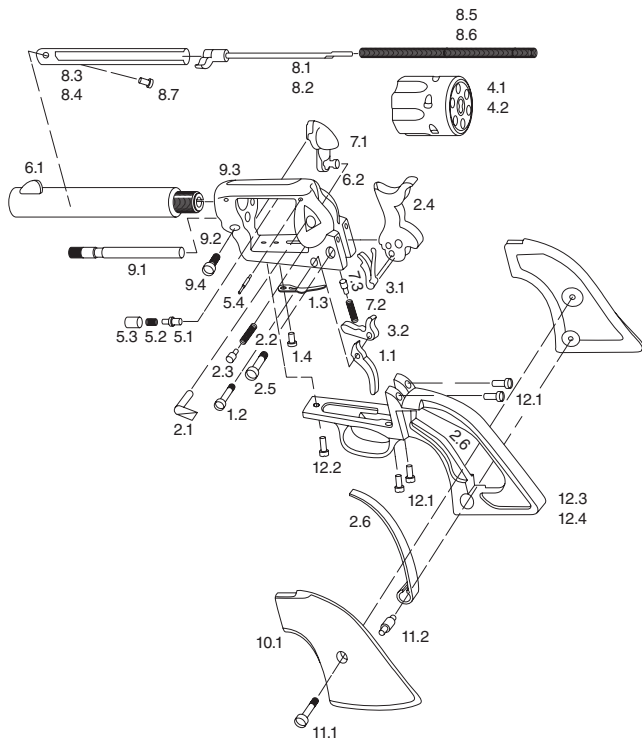
3. To keep a gun in good condition, it must be kept clean and covered with a light film of good quality gun oil to prevent corrosion. This is especially necessary after use.
4. For normal cleaning of firearm not used or kept in storage for some time, rub it with a lightly oiled cloth. In the same way, proceed with the bore of the barrel. The barrel should be clean and left free of debris. The excess oil must be removed, but a thin protecting film should remain. Dust should be removed from all crevices with a small, clean brush.
5. For cleaning after shooting, all powder residues should be removed from the barrel and other adjacent areas subject to such deposits, with appropriate brush. If particles of lead are detected in barrel they must be scrubbed with a brass brush, drenched with oil. Once cleaned, lubrication should be done as above described. When shooting more than 200 rounds in a row, your firearm should be cleaned before further shooting.
6. Do not keep handguns in contact with materials that attract moisture or possess a certain degree of acidity, or in environments with great variation of temperature or of humidity. Avoid the use of cloth holsters or any other moisture retaining material.
7. If the firearm is to be stored for a long period of time, care should be taken with metal surfaces in order to protect them against corrosion.



WARNING

Before cleaning: (1) keep the muzzle pointed in a safe direction, (2) keep your finger off the trigger, (3) keep the hammer block in the up position, (4) pull the hammer back to the second notch (or click), (5) open loading gate, and (6) rotate the cylinder clockwise and check every chamber to be sure it is empty.

EXPLODED VIEW



PART LIST

- 1.1 TRIGGER 1/4"
- 1.2 TRIGGER SCREW
- 1.3 TRIGGER SPRING
- 1.4 TRIGGER SPRING SCREW
- 2.1 HAMMER BLOCK
- 2.2 HAMMER BLOCK SPRING
- 2.3 HAMMER BLOCK DETENT
- 2.4 HAMMER – 6-SHOT OR 9-SHOT
- 2.5 HAMMER SCREW
- 2.6 HAMMER SPRING
- 3.1 CYLINDER HAND – 6-SHOT OR 9-SHOT
- 3.2 CYLINDER BOLT
- 4.1 CYLINDER .22 L.R.
- 4.2 CYLINDER .22 WMR
- 5.1 FIRING PIN
- 5.2 FIRING PIN SPRING
- 5.3 FIRING PIN CUP
- 5.4 FIRING PIN PIN
- 6.1 FRONT SIGHT BLADE
- 6.2 FRAME
- 7.1 LOADING GATE
- 7.2 LOADING GATE SPRING
- 7.3 LOADING GATE DETENT
- 8.1 EJEC/ROD & LEVER 2 & 3"
- 8.2 EJEC/ROD & LEVER 4.75-9"
- 8.3 EJEC/TUBE 2 & 3"
- 8.4 EJEC/TUBE 4.75-9"
- 8.5 EJEC/SPRING 2 & 3"
- 8.6 EJECTOR SPRING 4.75-9"
- 8.7 EJECTOR TUBE SCREW
- 9.1 BASE PIN
- 9.2 BASE PIN LOCK SPRING
- 9.3 BASE PIN LOCK NUT
- 9.4 BASE PIN LOCK SCREW
- 10.1 GRIPS-COCOBOLO REGULAR
- 11.1 GRIP SCREW
- 11.2 GRIP PIN
- 12.1 BACK STRAP SCREWS (4)
- 12.2 BACK STRAP-FRONT SCREW
- 12.3 BACK STRAP-REGULAR
- 12.4 BACK STRAP-BIRD HEAD

HERITAGE MANUFACTURING, INC. SERVICE POLICY

Should your firearm require adjustment or repair contact our Customer Care department at 800-327-3776.

Please follow these suggestions to expedite service in the United States to return any firearm to us for adjustment or repair.

1. Federal law permits you to return your firearm to the manufacturer for service via common carriers. However, state and local firearms laws vary greatly; you should consult your local prosecuting attorney regarding any restrictive laws in your jurisdiction regarding your shipment or receipt of firearms. With the above in mind, it is strongly recommended that any firearm sent to us for repair be sent through a federally licensed dealer.
2. All firearms must be shipped to us prepaid. **WE WILL NOT ACCEPT COLLECT SHIPMENTS.**
3. Be sure to enclose a letter stating your name, address and telephone number as well as serial number, caliber and barrel length of your firearm. Also state the nature of trouble experienced or work required. Merely stating “defective” or “repair as necessary” is inadequate information. Be specific and enclose copies of any previous correspondence. Work (other than warranty repair) will bear minimum labor charge of \$35.00.
4. **FIREARMS MUST BE SHIPPED UNLOADED.** Double check the chambers of your firearm before shipping. If firearms are sent to Heritage in a loaded condition, we are required by law to notify the Federal authorities.
5. **DO NOT** include telescopic sights, custom grips, holsters, or other accessories with any firearm shipped to us.

PARTS

Firearms require periodic maintenance, inspection, adjustment and repair. If your revolver has a malfunction, be safe. Stop firing, “clear” and unload the revolver and take it to a qualified gunsmith. Before shooting it again, contact our Customer Care department if you have any questions.

If water, sand, or other foreign matter gets in your revolver, thoroughly clean it. Failure to keep your firearm clean and in proper working order can be dangerous.

Our Customer Care department maintains a full stock of replacement parts for current Heritage firearms. Even though most gunsmiths have the knowledge, training and ability to make the necessary repairs to your firearm, the skill and workmanship of any particular gunsmith is totally beyond our control. Should your firearm require service, return it to our Customer Care department. Please refer to Heritage Manufacturing, Inc. Service Policy on the HeritageMfg.com website for information on the policy and shipping, or call 800-327-3776.

Remember, unauthorized adjustments or parts replacement can void your warranty. If you choose to have someone else do the required work, the purchaser and/or installer of parts must accept full responsibility for the correct adjustment and function of the firearm.

LIMITED WARRANTY

Heritage Rough Rider Revolver

Heritage Manufacturing, Inc. hereby provides the following **ONE-YEAR LIMITED WARRANTY** to the original retail purchaser of the enclosed Heritage Rough Rider.

What does the warranty cover and what is its duration?

Heritage Manufacturing, Inc. warrants that the enclosed Rough Rider Revolver was made in the USA free of defects in material, function, and workmanship. For one (1) year after the date of purchase by the original owner, Heritage Manufacturing, Inc. will remedy any defect in material, function, or workmanship within a reasonable time after written notification and delivery of the firearm. Further, if Heritage Manufacturing, Inc. cannot remedy any such defects after a reasonable number of attempts, Heritage Manufacturing, Inc. will replace the Rough Rider with the exact or comparable model.

This Warranty terminates automatically upon the transfer of the Rough Rider Revolver to any individual or entity other than the original retail purchaser.

How do you obtain warranty service?

Contact Heritage Manufacturing, Inc. in writing to receive warranty service. You may contact Heritage Manufacturing, Inc. by logging onto www.HeritageMfg.com, or in writing: Heritage Manufacturing, Inc., Attn: Warranty Service, 100 Taurus Way, Bainbridge, GA 39817. Please include a description of the claimed defect, along with your name, address, telephone number, proof of purchase or a copy of the ATF Form 4473, product model, serial number, and date of purchase.

Upon receiving your correspondence, Heritage Manufacturing, Inc. will provide instructions regarding your return of the Rough Rider. Heritage Manufacturing, Inc.'s obligations under this Warranty shall not apply if any law, regulation, or governmental requirement prohibits the repair, replacement, or return to the individual who shipped the Heritage Rough Rider to Heritage Manufacturing, Inc.

Disclaimer and Limitation of Remedy.

ANY IMPLIED WARRANTIES OF MERCHANTABILITY IMPARTED BY STATE LAW WILL BE LIMITED TO ONE (1) YEAR. Under NO CIRCUMSTANCES shall Heritage Manufacturing, Inc. be responsible for incidental or consequential damages with respect to economic loss, injury, death or property damage, whether as a result of breach of this warranty, negligence or otherwise.

Some States do not allow limitations on how long an implied warranty lasts, so the above-limitation may not apply to you.

ANY AND ALL INCIDENTAL AND CONSEQUENTIAL DAMAGES ARE EXPRESSLY DISCLAIMED UNDER ALL CIRCUMSTANCES.

Some States do not allow the exclusion or limitation of incidental or consequential damages, so the above limitation or exclusion may not apply to you. This ONE-YEAR LIMITED WARRANTY gives you specific legal rights, and you may also have other rights which vary from State to State.

Heritage Manufacturing, Inc. will not be responsible for:

- 1) Defects or malfunctions resulting from careless handling, unauthorized adjustments or modifications made or attempted by anyone other than a qualified gunsmith following Heritage Manufacturing, Inc. authorized procedures, or failure to follow the disassembly instructions in the Heritage Manufacturing, Inc. manual.
- 2) Use of defective or improper ammunition, reloaded ammunition, corrosion, neglect, abuse, ordinary wear and tear, or unreasonable use.
- 3) Criminal misuse, negligence or use under the influence of drugs or alcohol.

This is the only Warranty extended by Heritage Manufacturing, Inc. covering the Rough Rider models.

IMPORTANT DO NOT DISCARD

**KEEP THIS MANUAL WITH THE FIREARM
UPON CHANGE OF OWNERSHIP.**

HERITAGE MANUFACTURING, INC.

100 Taurus Way
Bainbridge, GA 39817
Telephone: 229-515-8099

HERITAGEMFG.COM

045-0019-00 Rev 1

