

Kimber®



R7 MAKO Safety & Instruction Manual

⚠ WARNING

Before using this firearm, carefully read this manual in its entirety. Understand and follow all instructions and warnings.

This manual should always accompany this firearm and be transferred with the firearm upon change of ownership, or when the firearm is loaned or presented to another person.

A copy of this manual is available free via download from www.kimberamerica.com or upon request from kimber customer service by calling (888) 243-4522.

What All Guns Should Be™

Kimber R7 Mako (OI) and R7 Mako (OR) Pistol Models

Safety & Instruction Manual

WARNING

Before using this firearm, carefully read this manual in its entirety. Understand and follow all instructions and warnings.

This manual should always accompany this firearm and be transferred with the firearm upon change of ownership, or when the firearm is loaned or presented to another person.

This firearm does not have a conventional manual safety, or a magazine disconnect and will fire if the trigger is pulled with a live round in the chamber.

A copy of this manual is available free via download from www.kimberamerica.com or upon request from Kimber customer service by calling (888) 243-4522.

If there is anything in this manual you do not understand, ask your retailer or call Kimber at (888) 243-4522.

HOW TO USE THIS MANUAL

Thank you for trusting your next shot to Kimber®.

Kimber Mfg., Inc. is a quality proven, American company which designs and manufactures premium firearms and less lethal products. Kimber's vision since its beginnings has always been to provide a superior product for all applications while never compromising in features, materials or performance. Kimber is currently headquartered in Troy, AL with locations in New Jersey, Montana and New York. Kimber products will provide a lifetime of service with proper operation and care.

This manual is not a comprehensive guide to firearm safety. Kimber® highly recommends that new shooters seek professional training from qualified instructors prior to handling any firearm. To help ensure safe and long-term enjoyment of a Kimber firearm, this manual should be read in its entirety and thoroughly understood.

Safety

Carefully review the information presented in this section and commit it to memory prior to loading, firing or otherwise handling or using a firearm.

Specifications

Primary product specifications are included in this section. Additionally, this section will have information if a procedure relates to more than one model, or if it is important to note differences between similar models.

Operation

This section includes descriptions of basic operations such as loading, unloading, disassembly and clearing. Operations are presented in a sequential, step-by-step format. Exploded diagrams are provided for reference to help identify components and understand correct procedures of important functions, such as disassembly and assembly. Please note that some illustrations may differ in appearance between models. This should not be of concern as the procedure itself remains accurate in such instances.

Care

A dedicated maintenance schedule should be followed to help ensure that your Kimber firearm performs at its best. Performing preventative maintenance is not only an essential safety practice, it is necessary to help ensure the longevity of a firearm. This section of the manual includes cleaning and lubrication instructions as well as recommended spring change schedules for each Kimber model as well as instructions regarding long term storage. Adhering to these instructions will undoubtedly help extend the life of a Kimber firearm.

Support

Refer to this section for information on warranty coverage, available parts, product diagrams, Custom Shop treatments, customer service and returning a firearm.

If a question or concern is not addressed within this manual, please contact Kimber Customer Service at (888) 243-4522 during business hours. A digital volume of this and other Kimber product manuals are available for download at www.kimberamerica.com.

CONTENTS

Safety	6
Rules of firearm safety	6
Cable lock	11
Eye and hearing protection	13
State required safety warnings	14
Specifications	18
Operation	20
The R7 Mako fire control system	20
Performance features	22
Safety features	23
Basic operation	24
Ammunition	24
Loading	28
Unloading	31
Firing	34
Clearing a Malfunction (Jam)	36
Disassembly & Assembly	38

Red Dot System	43
Tips for improved shooting	45
Care	46
Preventative maintenance	46
Long-term storage	50
Support	51
Warranty	51
Obtaining Kimber replacement parts	53
Custom Shop treatments	53
Customer Service	53
Product diagram and parts list	54
Returning a firearm	56

Safety

Specifications

Operation

Care

Support

SAFETY

Rules of firearm safety

This manual contains several safety warnings and instructions preceded with, **▲WARNING**, **▲CAUTION**, or **NOTICE**. These signal words are designed to draw your attention to important safety information. In certain situations, this manual also includes a NOTE.

▲WARNING

Indicates circumstances, a condition or where failure to follow the Warning could result in death, serious injury and/or property damage.

▲CAUTION

Indicates a condition or circumstance where failure to follow the Caution could result in minor or moderate injury, and/or property damage.

NOTICE

Addresses safety or other practices or information not related to personal injury. Failure to follow the Notice could result in property damage.

NOTE

In certain situations this manual may also have a NOTE. A "NOTE" provides additional information regarding the use and function of this firearm, or highlights other important points.

▲WARNING

Read through the entire manual before attempting to use this product. Safe operation of this firearm is your obligation, and requires that you completely read and understand this manual in its entirety.

▲WARNING

Never act in an irresponsible manner or ignore any established rules of safety when using or storing firearms.

▲WARNING

Firearm safety is every firearm owner's responsibility. Failure to review, understand and follow all rules of safety, instructions and procedures included in this manual could result in death, serious injury or property damage.

⚠️ WARNING

This product is a firearm and can be a lethal weapon. Failure to read and properly follow the instructions and warnings in this manual could result in death, serious injury or damage to property.

⚠️ WARNING

Never drink alcoholic beverages or take drugs prior to or during shooting or handling of this or any other firearm, as this could affect or impair your vision, coordination and judgment, and may have other legal consequences.

⚠️ WARNING

Always treat this and any other firearm as if it were loaded. Never take anyone's word that a firearm is unloaded. Clear it yourself with finger off the trigger and the muzzle pointed in a safe direction. First remove the magazine, then lock the slide open and visually and physically check to ensure that no round is chambered. Always make sure the firearm is unloaded and the slide locked open

before laying it down or handing it to someone else.

⚠️ WARNING

Prior to use, learn the mechanical and handling characteristics, and operation of the firearm you are using. Not all firearms are the same.

⚠️ WARNING

Obey all range rules at all times.

⚠️ WARNING

Seek a doctor's advice if you are taking any medication prior to engaging in any shooting activity.

⚠️ WARNING

Always wear adequate hearing and eye protection when using any firearm.

⚠️ WARNING

Always keep the muzzle pointed in a safe direction. Never point this or any other firearm at anything you do not intend to shoot.

SAFETY

⚠️ WARNING

Never place your finger inside the trigger guard or on the trigger unless you intend to fire.

⚠️ WARNING

Be sure of your target and beyond. Make sure that your backstop is adequate to stop bullets prior to shooting.

⚠️ WARNING

Use correct ammunition.

⚠️ WARNING

Immediately unload and clear this firearm when you are finished shooting it.

⚠️ WARNING

Never shoot at any hard or flat surface, such as rock, metal or water. The resulting ricochet could result in death, serious injury or property damage.

⚠️ WARNING

If your firearm fails to fire when the trigger is pulled, handle with care. If the firearm fails to fire when the trigger is pulled, slow primer ignition (hangfire) may possibly be the cause. Keep the muzzle pointed downrange at the target for a minimum of 30 seconds. If the round still does not fire, remove the magazine, clear the firearm while keeping the muzzle pointed in a safe direction and the ejection port turned away from your face, eyes and other body parts, and examine the ejected, unfired cartridge. If the indent from the firing pin is off center, light or absent, take the firearm to a competent gunsmith. If the indent appears normal compared to other rounds, assume a faulty round, separate from other cartridges, reload and continue shooting.

⚠️ WARNING

When you pull the trigger, you must expect the firearm to fire and take full responsibility for your actions.

⚠️ WARNING

Do not attempt to practice loading or unloading, firing or otherwise handling or using this firearm without a thorough understanding of its safe operation.

⚠️ WARNING

Never carry a firearm loaded unless you have first obtained training from a qualified instructor in holstering, drawing and carrying a loaded handgun.

⚠️ WARNING

Do not carry a loaded firearm with a live round in the chamber while walking, running, crossing or climbing a fence, stream, ditch or any obstacle, or where there is any possibility of slipping or falling, as this could lead to a possible unintentional discharge.

⚠️ WARNING

While on the range, be sure to carry this firearm cleared, with slide locked open and muzzle pointed in a safe direction, until ready to shoot.

⚠️ WARNING

Never force a jammed action. This could cause a round to explode resulting in death, serious injury or property damage.

⚠️ WARNING

Never use this firearm in any manner other than that for which it was specifically designed.

⚠️ WARNING

This product was designed to function properly in its original condition. Do not alter any part or add or substitute parts or accessories not made or authorized for use by Kimber. Any such alteration could render the firearm unsafe and will void the warranty.

⚠️ WARNING

Always make sure that this firearm is in top working condition and that no internal or external parts have been damaged as a result of corrosion, improper maintenance or dropping. If evidence of these conditions exist, have it inspected by a competent gunsmith or contact Kimber prior to use.

SAFETY

⚠️ WARNING

Always ensure that barrel and action are clear of obstructions before shooting. Shooting a blocked firearm can result in death or serious injury and damage to the firearm and/or property.

⚠️ WARNING

Do not alter or modify your firearm and have firearms serviced regularly.

⚠️ WARNING

Always make sure the firearm is unloaded before cleaning.

⚠️ WARNING

Firearms should be unloaded when not actually in use. For increased safety, firearms should be stored unloaded in a location that is secure (for example, apply the supplied cable lock to the firearm and lock the firearm in a gun safe) and inaccessible to children and any other unauthorized person, with ammunition locked securely in a different location.

⚠️ WARNING

Keep out of reach of children. For increased safety, firearms should be stored unloaded in a location that is secure and inaccessible to children and any other unauthorized person. Ammunition should be locked securely in a different location.

⚠️ WARNING

Any firearm that is not under your direct immediate control should be unloaded and rendered inoperable (for example, by use of a cable lock) and inaccessible to unauthorized users.

⚠️ WARNING

Never rely exclusively on mechanical or visual safeties, as any mechanical device can fail.

⚠️ WARNING

Never leave a loaded firearm unattended. Someone, especially a child, may fire it and cause death, serious injury or damage to property.

⚠️ WARNING

Always store this firearm with the chamber empty and magazine unloaded. Failure to do so could result in an unintentional discharge.

⚠️ CAUTION

Make sure all other shooters and bystanders are well away from the ejection port. Empty cases are ejected under force and may cause injury if someone is struck.

⚠️ CAUTION

Never shoot the firearm with your thumb or other body part directly behind the slide, or you could be injured when the slide and firearm recoil in firing.

Kimber Mfg., Inc. shall not be responsible for any death, physical injury or property damage that is the result of the proper or improper use of this product.

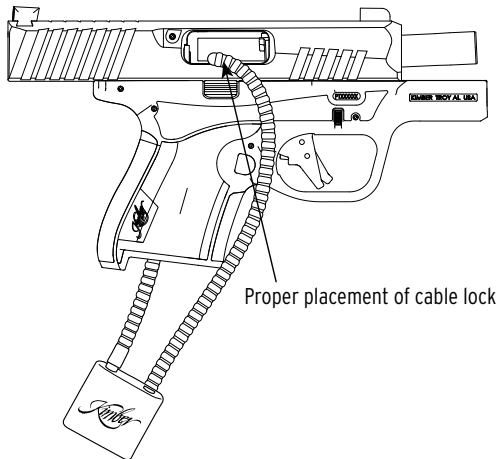
Cable lock

To use cable lock provided with this firearm:

1. Point the muzzle of the firearm in a safe direction (a safe direction is one in which no one can possibly be injured in the event of an unintentional discharge) and keep your fingers outside of the trigger guard and clear of the trigger throughout the following steps.
2. Unload the firearm following the unloading procedures specified in this manual (see pages 31-34), finishing by visually confirming that the chamber, magazine well and magazine are clear of ammunition. We recommend that the magazine be unloaded and stored separately.
3. Manually lock the slide in the open position.
4. Take the open end of the cable lock and direct it down through the ejection port and out through the open magazine well. Insert the open end into the lock, then turn and remove the key.

SAFETY

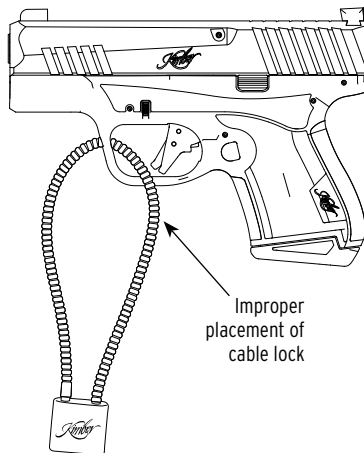
Keep the key stored in a separate location from the firearm, lock and unauthorized person, and out of reach of children.



IMPROPER INSTALLATION OF CABLE LOCK

⚠️ WARNING

Improper installation of the cable lock through the trigger guard can result in accidental discharge causing death, serious injury or property damage. While locking devices are an important aid to security measures, they are not a substitute for



safe firearm handling and proper storage. Mechanical and locking devices can fail and/or be bypassed with enough time, knowledge, determination and equipment.

Eye and Hearing Protection

WARNING

Always wear the appropriate eye and hearing protection during shooting. Failure to do so may result in hearing loss and/or eye injury.

Always wear safety glasses that meet the requirements of the American National Standards Institute (ANSI) Z87.1 and commercially manufactured hearing protection when shooting. Additionally, those in close proximity when shooting should also wear the appropriate eye and hearing protection. All semi-automatic, magazine fed firearms forcefully eject hot, fired cartridge cases and may discharge powder, metallic particles, gas or other debris during shooting.

Such discharge is normal. If you and/or others in close physical proximity do not wear appropriate eye protection, then you risk a serious, permanent eye injury up to and possibly including blindness. Hearing protection at all times during shooting is necessary to help prevent partial or permanent hearing loss.

Lead Exposure

WARNING

Discharging firearms in poorly ventilated areas, cleaning firearms or handling ammunition may result in exposure to lead and other substances known to cause birth defects, reproductive harm, cancer and other serious physical injury. Have adequate ventilation at all times. Wash hands thoroughly after exposure.

SAFETY

State Required Safety Warnings

Certain states require, by law, that their own specified warning notices be conspicuously included in larger than normal type by the manufacturer, distributor or retail dealer with firearms sold in that state. Kimber Mfg., Inc. sells products in compliance with applicable laws and regulations. As Kimber products may be sold in these states, the following warnings are included:

WARNING

This product can expose you to chemicals including lead, which is known to the State of California to cause cancer and birth defects or other reproductive harm. For more information go to www.P65Warnings.ca.gov.

CALIFORNIA:

WARNING

“Firearms must be handled responsibly and securely stored to prevent access by children and other unauthorized users. California has strict laws pertaining to firearms, and you may be fined or imprisoned if you fail to comply with them. Visit the Web site of the California Attorney General at <https://oag.ca.gov/firearms> for information on firearm laws applicable to you and how you can comply. Prevent child access by always keeping guns locked away and unloaded when not in use. If you keep a loaded firearm where a child obtains and improperly uses it, you may be fined or sent to prison.”

ADVERTENCIA

“Las armas de fuego deben manipularse de manera responsable y segura para evitar el acceso de niños y otros usuarios no autorizados. California tiene leyes estrictas relacionadas con

armas de fuego, y usted puede ser multado o encarcelado si no las cumple. Visite la pagina web del Procurador General de California en <https://oag.ca.gov/firearms> para obtener información sobre las leyes de armas de fuego que le son aplicables y cómo puede cumplirlas. Evite el acceso de niños manteniendo siempre las armas bloqueadas y descargadas cuando no estén en uso. Si mantiene un arma de fuego cargada donde un niño obtiene y la usa indebidamente, se le puede multar o enviar a prisión.”

CONNECTICUT:

“UNLAWFUL STORAGE OF A LOADED FIREARM MAY RESULT IN IMPRISONMENT OR FINE.”

FLORIDA:

“IT IS UNLAWFUL, AND PUNISHABLE BY IMPRISONMENT AND FINE, FOR ANY ADULT TO STORE OR LEAVE A FIREARM IN ANY PLACE WITHIN THE REACH OR EASY ACCESS OF A MINOR UNDER 18 YEARS OF AGE OR TO KNOWINGLY SELL OR

OTHERWISE TRANSFER OWNERSHIP OR POSSESSION OF A FIREARM TO A MINOR OR A PERSON OF UNSOUND MIND.”

MAINE:

“ENDANGERING THE WELFARE OF A CHILD IS A CRIME. IF YOU LEAVE A FIREARM AND AMMUNITION WITHIN EASY ACCESS OF A CHILD, YOU MAY BE SUBJECT TO FINE, IMPRISONMENT OR BOTH. KEEP FIREARMS AND AMMUNITION SEPARATE. KEEP FIREARMS AND AMMUNITION LOCKED UP. USE TRIGGER LOCKS.”

MARYLAND:

“WARNING: Children can operate firearms which may cause death or serious injury. It is a crime to store or leave a loaded firearm in any location where an individual knew or should have known that an unsupervised minor would gain access to the firearm. Store your firearm responsibly!”

MASSACHUSETTS:

“WARNING FROM THE MASSACHUSETTS ATTORNEY GENERAL: This handgun is not equipped with a device that fully blocks use by unauthorized users. More than 200,000 firearms like this one are stolen from their owners every year in the United States. In addition, there are more than a thousand suicides each year by younger children and teenagers who get access to firearms. Hundreds more die from accidental discharge. It is likely that many more children sustain serious wounds, or inflict such wounds accidentally on others. In order to limit the chance of such misuse, it is imperative that you keep this weapon locked in a secure place and take other steps necessary to limit the possibility of theft or accident. Failure to take reasonable preventive steps may result in innocent lives being lost, and in some circumstances may result in your liability for these deaths.”

“IT IS UNLAWFUL TO STORE OR KEEP A FIREARM, RIFLE, SHOTGUN OR MACHINE GUN IN ANY PLACE UNLESS THAT

WEAPON IS EQUIPPED WITH A TAMPER-RESISTANT SAFETY DEVICE OR IS STORED OR KEPT IN A SECURELY LOCKED CONTAINER.”

NEW JERSEY:

“IT IS A CRIMINAL OFFENSE, PUNISHABLE BY A FINE AND IMPRISONMENT, FOR AN ADULT TO LEAVE A LOADED FIREARM WITHIN EASY ACCESS OF A MINOR.”

NEW YORK CITY, NY:

“THE USE OF A LOCKING DEVICE OR SAFETY LOCK IS ONLY ONE ASPECT OF RESPONSIBLE WEAPON STORAGE. ALL WEAPONS SHOULD BE STORED UNLOADED AND LOCKED IN A LOCATION THAT IS BOTH SEPARATE FROM THEIR AMMUNITION AND INACCESSIBLE TO CHILDREN AND ANY OTHER UNAUTHORIZED PERSONS. NEW YORK CITY LAW PROHIBITS, WITH CERTAIN EXCEPTIONS, ANY PERSON FROM ACQUIRING MORE THAN ONE FIREARM, OR MORE THAN ONE RIFLE OR SHOTGUN, WITHIN A 90-DAY PERIOD.”

NORTH CAROLINA:

“IT IS UNLAWFUL TO STORE OR LEAVE A FIREARM THAT CAN BE DISCHARGED IN A MANNER THAT A REASONABLE PERSON SHOULD KNOW IS ACCESSIBLE TO A MINOR.”

“Any person who resides in the same premises as a minor, owns or possesses a firearm, and stores or leaves the firearm (i) in a condition that the firearm can be discharged and (ii) in a manner that the person knew or should have known that an unsupervised minor would be able to gain access to the firearm, is guilty of a Class 1 misdemeanor if a minor gains access to the firearm without the lawful permission of the minor’s parents or a person having charge of the minor and the minor:

- (1) Possesses it in violation of G.S. 14-269.2(b);
- (2) Exhibits it in a public place in a careless, angry, or threatening manner;
- (3) Causes personal injury or death with it not in self defense; or
- (4) Uses it in the commission of a crime.”

TEXAS:

“IT IS UNLAWFUL TO STORE, TRANSPORT, OR ABANDON AN UNSECURED FIREARM IN A PLACE WHERE CHILDREN ARE LIKELY TO BE AND CAN OBTAIN ACCESS TO THE FIREARM.”

WISCONSIN:

“IF YOU LEAVE A LOADED FIREARM WITHIN THE REACH OR EASY ACCESS OF A CHILD YOU MAY BE FINED OR IMPRISONED OR BOTH IF THE CHILD IMPROPERLY DISCHARGES, POSSESSES OR EXHIBITS THE FIREARM.”

NOTE

The above warnings are not intended to be exhaustive. Laws and regulations change constantly. Please check with your State Attorney General's Office or local law enforcement authority regarding laws and regulations that may be applicable.

SPECIFICATIONS

Caliber	9mm
Barrel	3.44-inch; stainless steel
Operation.....	Recoil-operated Closed breech Striker fired Semi-automatic
Weight (with empty magazine)	22.4 ounces
Length	6.27 inches
Frame.....	Polymer
Central Block.....	Stainless Steel
Magazine capacity	11 or 13 rounds
Safety devices.....	Trigger Safety Safety Block

PAGE LEFT INTENTIONALLY BLANK

OPERATION

The R7 Mako fire control system

The R7 Mako is a striker fired handgun that includes the following key features:

- Trigger
- Striker
- Trigger Bar
- Trigger Bar Sear Surface
- Sear
- Safety Block
- Disconnecter

Trigger

The trigger is the mechanism which, when depressed, actuates the firing sequence of the firearm.

Striker

The striker, when released from the sear, will travel forward and strike the primer with enough force to discharge the cartridge.

Once the slide is in battery, the trigger may release the striker from the trigger bar sear surface. When this happens the striker will move forward under spring tension until it strikes the primer and discharges the cartridge. Once this occurs there will be a brief dwell time before the bullet leaves the barrel. Then the slide will begin to move rearward. The slide will drive the disconnecter sideways, disengaging the trigger bar from the disconnecter ramp, resetting the trigger bar and safety block.

Any time the R7 Mako's slide is cycled, whether manually cycled or during firing operation, the striker will be cocked and ready to fire.

Trigger Bar

The trigger bar connects to the trigger and

actuates the striker. Pulling the trigger will push the trigger bar rearward into the disconnecter ramp. The disconnecter ramp forces the trigger bar downward until it drops below the striker's sear surface.

Trigger Bar Sear Surface

When the trigger bar sear surface is engaged with the striker it holds the striker in its fully cocked position and releases the striker to move forward under spring force and fire the cartridge.

Sear

When the sear is engaged by the trigger bar, it brings the striker to its fully cocked position and releases the striker to move forward under spring force and fire the cartridge.

Firing Pin Safety Block

The safety block feature on this firearm is actuated when the trigger is depressed.

Depressing the trigger causes the trigger bar to move rearward, pushing the safety block up and out of the path of the striker to allow the striker to strike the cartridge.

Disconnecter

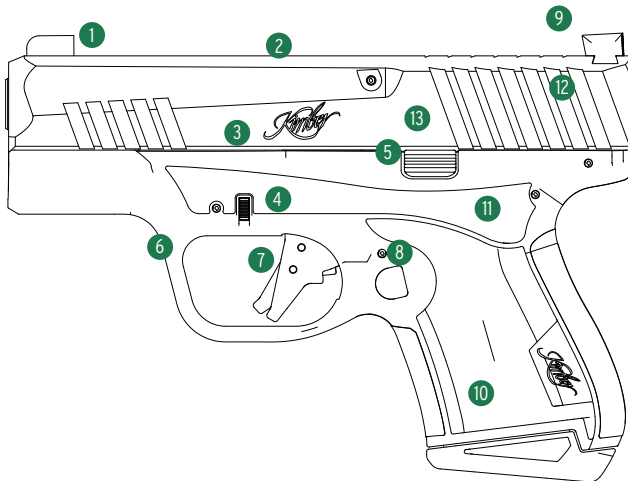
The disconnecter fits inside the frame. It forces the trigger bar downward along the disconnecter ramp allowing the striker to be released via the trigger bar sear surface. When the slide travels rearward the disconnecter is pushed sideways by a ramp in the slide and disengages the trigger bar from the disconnecter ramp. When the trigger is released the trigger bar allows the trigger bar to engage the striker.

OPERATION

Performance features

R7 Mako models

1. Front sight
2. Barrel
3. Slide stop notch
4. Disassembly notch
5. Slide stop
6. Trigger guard
7. Trigger
8. Magazine release
9. Rear sight
10. Grip
11. Frame
12. Rear slide serrations
13. Slide



Safety features

The R7 Mako is equipped with several safety features which can, if properly used, help minimize the danger of an unintentional discharge.

⚠️WARNING

While this firearm has design features and mechanical safeties to help prevent an unintentional discharge if the firearm is dropped or hit, never exclusively rely on such features and safeties as mechanical devices can fail.

Trigger guard

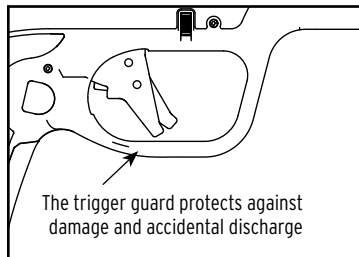
The trigger guard is a portion of the frame that surrounds the trigger, protecting it against damage and accidental discharge.

⚠️WARNING

Never put your finger inside the trigger guard until you intend to fire.

⚠️WARNING

Never rely exclusively on mechanical or visual safeties, as any mechanical device can fail.



The trigger guard protects against damage and accidental discharge

OPERATION

Disconnecter

The disconnecter prevents a round from being fired before it can be properly seated in the chamber with the slide and barrel locked. If the slide is not fully forward, the disconnecter disengages the trigger bar from the disconnecter ramp. With the slide fully forward and the barrel locked, the disconnecter slides back into place, which allows the trigger bar to engage the trigger bar when the trigger is pulled.

Firing Pin Safety Block

The striker is held in the cocked position by the sear. Shorter than its housing, it cannot protrude through the breech face until the trigger has been pulled, pushing the firing pin safety block out of the path of the striker and fully released the sear from the striker.

Basic operation

Ammunition

Kimber firearms are designed to function effectively with quality factory-manufactured ammunition in the caliber for which the firearm is chambered. The following is information to help avoid potential ammunition related problems.

WARNING

Never use ammunition not specifically designated for use in your firearm. Failure to use the correct type or caliber of ammunition may cause the firearm to jam, fail to fire, have an obstructed bore, or even generate excessive pressure, which can cause death, serious injury or property damage.

WARNING

If a bullet is in the bore or lodged in the barrel, do not attempt to shoot it out by using another cartridge, by blowing it out with

a blank or with a cartridge from which the bullet has been removed. Such actions can generate excessive pressure, and cause death, serious personal injury or property damage.

▲WARNING

Do not use reloaded, hand-loaded, remanufactured or other non-standard ammunition. Use of any such ammunition can cause death, serious injury or property damage.

▲WARNING

Do not oil cartridges or spray lubricants, preservatives or cleaners on cartridges or where excess spray may come into contact with cartridges. Lubricants and other foreign matter on cartridges may cause potentially dangerous ammunition malfunctions. Oil and solvent can penetrate cartridge primers and can cause misfires.

1. Kimber recommends the use of high quality American factory-made ammunition.
2. Use only ammunition of the caliber for which a firearm is chambered.
3. The use of reloaded, hand-loaded, remanufactured or other non-standard ammunition voids all warranties. Kimber specifically disclaims responsibility for any injury or damage whatsoever occurring in connection with, or as a result of, the use in Kimber firearms of faulty, reloaded, hand-loaded, remanufactured or other non-standard ammunition, or of cartridges other than those for which the firearm was originally chambered.
4. Use only ammunition of the caliber for which a firearm is chambered. Improper ammunition and improperly loaded ammunition can be extremely dangerous. Serious injury to the shooter or to others and severe damage to the firearm may

OPERATION

result. Always use ammunition that complies with the industry performance standards established by SAAMI. **Death, serious injury, or damage to the firearm may result from any condition causing excessive pressure inside the chamber or barrel when a round is fired. Excess pressure may be caused by obstruction in the barrel, propellant powder overloads or by the use of incorrect or improperly- assembled cartridges. In addition, the use of a dirty, corroded or damaged cartridge may lead to a burst case and consequent damage to the firearm and personal injury from the sudden escape of high-pressure propellant gas within the firearm's mechanism.**

5. Although the Kimber R7 Mako pistol is capable of functioning with +P ammunition, a steady diet of +P ammunition will shorten the endurance life of this pistol. Use of +P ammunition may result in the need for more

frequent service. You should never shoot 9mm +P+ ammunition in your Kimber R7 Mako pistol. There are no SAAMI or CIP pressure limits on 9mm +P+ and use of this ammunition could result in serious injury. **Do not use "+P+" ammunition.**

6. **Immediately stop shooting, unload the firearm as directed in this manual (see pages 31-34), and check the barrel for a possible obstruction whenever:**
 - **The trigger and/or slide binds; or**
 - **Unburned grains of powder are noticed in or around the firearm; or**
 - **A shot sounds weak or abnormal; or recoil is less than usual.**

In the above and other cases, it is possible that a bullet is lodged part way down the barrel. Firing a subsequent bullet into an obstructed barrel may cause death or serious injury and will result in damage to the firearm.

Bullets may become lodged in the barrel if the cartridge has been improperly loaded without propellant powder or if the powder fails to ignite. In this case, ignition of the primer alone may push the bullet out of the cartridge case and into the barrel but usually does not generate sufficient energy for the bullet to exit the barrel.

7. If there is any reason to suspect that a bullet is obstructing the barrel, immediately unload the firearm as directed in this manual (see pages 31-34) and lock the slide open. Then, insert a cleaning rod or other non-steel rod that is smaller than the bore diameter from the barrel's muzzle all the way through to the barrel's breech end to confirm that the barrel is not obstructed.

If the bullet can easily be removed with a wood or brass dowel (using hand pressure only; never "hammer" a bullet lodged in the bore) clean any

unburned powder grains from the bore, chamber and mechanism before resuming shooting. If the bullet cannot be dislodged without force, take the firearm to a professional gunsmith or contact Kimber Customer Service.

8. Dirt, corrosion or other foreign matter on a cartridge can impede complete chambering which in turn may cause the cartridge case to burst upon firing. The same is true of cartridges which are damaged or deformed.
9. Do not oil cartridges and be sure to always wipe the chamber clean of any oil preservative that may be present before firing.
10. Use quality lubricants on all moving parts of the firearm in accordance with the preventative maintenance instructions (see pages 46-49) of this manual. Avoid excessive spraying of aerosol products, especially where it may contact or contaminate ammunition. All lubricants, and aerosol spray lubricants in particular, can penetrate

OPERATION

cartridge primers and cause misfires. Some highly-penetrative lubricants can also get inside cartridge cases and cause deterioration of the propellant powder so that upon firing the powder may not ignite. If only the primer ignites, there is a danger that the bullet may become lodged in the barrel. To reduce oil and solvent contamination of cartridges, use a clean patch to remove excess cleaner and lubricant from the chamber and the breech face.

Loading

WARNING

Always keep the muzzle pointed in a safe direction when loading your pistol.

WARNING

Never place your finger inside the trigger guard or on the trigger when loading your pistol.

WARNING

When retracting the slide is necessary as instructed in this manual, the slide should always be pulled rearward (“retracted”) by placing your fingers on the slide serrations and pulling. Always keep your fingers out of the trigger guard and away from the trigger while retracting slide. Never put any part of your hand or body over or in front of the muzzle while retracting the slide.

WARNING

Always chamber cartridges from the magazine only. Keep your finger off the trigger and outside of the trigger guard until prepared to fire. Failure to do so could result in death, serious injury, or other property damage.

WARNING

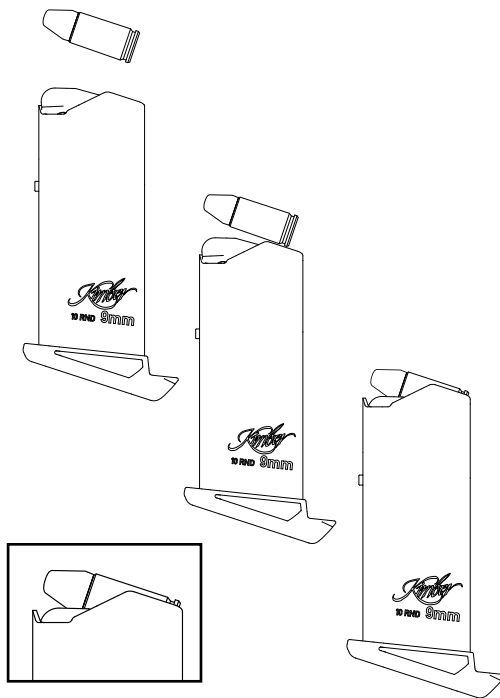
Do not use excessive force when inserting a loaded magazine into the firearm. Excessive

force could cause an open slide to move forward, chambering a round and making the firearm ready to fire.

Note

Kimber recommends high quality, factory-fresh ammunition that meets SAAMI specifications.

1. With an empty magazine in the firearm, pull the slide back until the slide stop engages the slide stop notch, locking the slide open.
2. To remove the empty magazine, place your support hand under the grip. With the thumb of your shooting hand, press the magazine release button located on the side of the frame behind the trigger. This will allow the magazine to fall free from the magazine well.



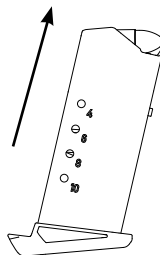
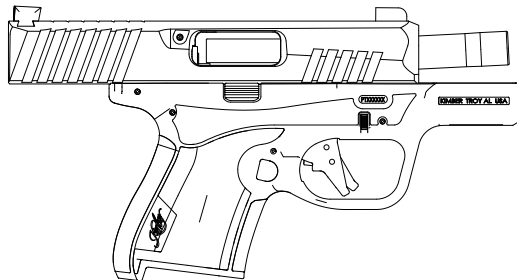
OPERATION

To load the magazine, place a cartridge at the top (open end) and then push it down and back, making sure that the rear of the cartridge is facing the rear of the magazine. Repeat until the magazine is fully loaded.

NOTE

Fully seat the top round

3. Insert the top of the magazine into the magazine well at the bottom of the frame, with the bullets facing forward, and push upward until the magazine is fully seated. When done properly, a click can be heard as the magazine catch engages.
4. To chamber a round: grip and hold the firearm firmly in the shooting hand making sure the muzzle is pointing in a safe direction (a safe direction is one in which no one can possibly be injured in the event of an unintentional discharge). Keep fingers outside



of the trigger guard and not touching the trigger. With the thumb and forefinger of the opposite hand, grab the serrations on both sides of the rear of the slide and pull it fully rearward, then release it allowing

the slide to fall forward unhindered and unassisted. Do not hold or restrict the slide as it moves to the forward position. Holding or restricting the travel of the slide may cause failure to feed or misfeed, or prevent the slide from fully closing. The firearm is now fully loaded and ready to fire. **Keep the muzzle pointed in a safe direction until ready to shoot.**

⚠️ WARNING

The firearm is now fully loaded and ready to fire. Keep the muzzle pointed in a safe direction until ready to shoot. Always unload the firearm immediately after use and before storage.

Unloading

⚠️ WARNING

This firearm is able to fire both with and without the magazine inserted. Removing the magazine will not unload the firearm or prevent the firearm from firing a cartridge that is left or placed in the chamber. The firearm is not unloaded until the magazine is removed, the chamber is empty, and the magazine well and chamber are both checked visually to be sure they are both empty.

⚠️ WARNING

When retracting the slide is necessary as instructed in this manual, the slide should always be pulled rearward (“retracted”) by placing your fingers on the slide serrations and pulling. Always keep your fingers out of the trigger guard and away from trigger while retracting slide. Never put any part of your hand or body over or in front of the muzzle while retracting the slide.

OPERATION

⚠️WARNING

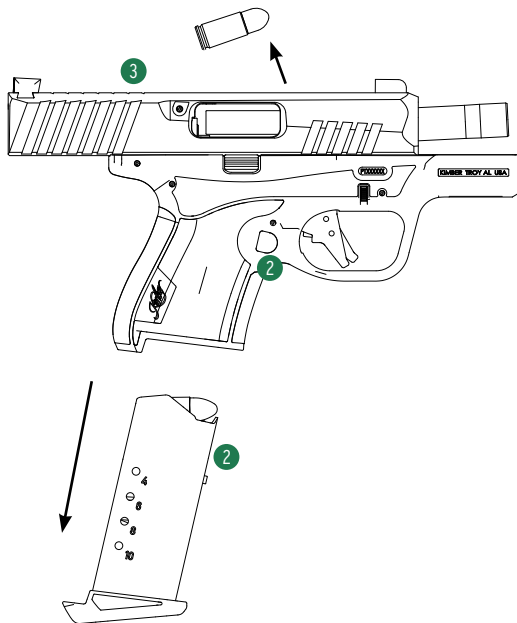
If the magazine is not removed prior to working (cycling) the slide to clear the chamber, any rounds left in the magazine will be chambered. This could lead to an unintentional discharge. This firearm will fire with a round chambered and the magazine removed.

⚠️WARNING

In clearing the chamber, allow the ejected round to fall freely out of the firearm, preferably onto a soft, clean surface. Do **not** cover the ejection port with your hand and try to catch the round as it is ejected, as serious injury could result.

Unloading if the firearm's slide is forward:

1. To unload if the firearm's slide is forward, make sure the muzzle is always pointed in a safe direction (a safe direction is one in which no one can possibly be injured in the event of an unintentional discharge) and your finger is



outside the trigger guard and off the trigger throughout the unloading process.

2. Remove the magazine by placing your support hand under the grip. With the thumb of the shooting hand, press the magazine release button located on the left side of the frame behind the trigger. This will allow the magazine to fall free from the magazine well.
3. Keeping your finger clear of the trigger, and being sure the muzzle is pointed in a safe direction, grasp the slide serrations and pull the slide fully to the rear. This will clear (eject) the live round from the chamber.
4. Engage the slide stop by pulling the slide rearward while pushing the slide stop upward into the slide stop notch. **Visually check to see that the chamber is clear.**
5. Pointing the firearm in a safe direction (a safe direction is one in which no one can possibly be injured in the event of an unintentional

discharge), release the slide forward onto the empty chamber by pulling the slide fully rearward and releasing it, or by manually rotating the slide stop downward past the slide stop notch. Ease the slide closed.

6. To remove any remaining rounds from the magazine, push the cartridges forward until they clear the retaining lips.
7. Store the firearm properly in an unloaded condition. (See page 50)

Unloading if the firearm's slide is locked open:

1. If you have fired the firearm until it is empty and the slide locks open (to the rear), to complete the unloading process, first remove the magazine.
2. Remove the magazine by placing your support hand under the grip. With the thumb of the shooting hand, press the magazine release button located on the left side of the frame behind the trigger. This will allow the

OPERATION

magazine to fall free from the magazine well.

3. Visually inspect to be certain the firearm's chamber and magazine well are empty.
4. Pointing the firearm in a safe direction (a safe direction is one in which no one can possibly be injured in the event of an unintentional discharge), release the slide forward onto the empty chamber by pulling the slide fully rearward and releasing it, or by manually rotating the slide stop downward past the slide stop notch. Ease the slide closed.
5. To remove any remaining rounds from the magazine, push the cartridges forward until they clear the retaining lips.
6. Store the firearm properly in an unloaded condition as instructed in this manual (see page 50).

Firing

WARNING

Always wear eye and hearing protection when shooting. Failure to do so may result in hearing loss and/or eye injury. See page 13 for important information.

WARNING

This is a semi-automatic firearm and will eject the empty cartridge case, reset the striker and chamber a live round. It will continue to fire one shot with each subsequent pull of the trigger until all rounds in the magazine have been fired. Be sure that your thumb, face and other body parts are safely clear from behind the slide and firearm so they cannot be hit by the recoiling slide and firearm when the shot is fired.

1. Point the muzzle in a safe direction at all times.

-
2. Load the firearm as previously indicated in this manual on pages 28-31.
 3. Assume a preferred proper shooting position.
 4. With the firearm pointed at the target: aim, place index finger on trigger and gently squeeze until the striker falls forward striking the cartridge. Be prepared for loud noise and recoil.
 5. If all rounds are not fired and you wish to stop shooting, remove the magazine, retract the slide rearward to its farthest position, immediately engage the slide stop and follow procedures for unloading as previously described starting on pages 31-34.
 6. When the last round is fired, the slide will lock open on the empty magazine.

 **WARNING**

Never pull the trigger if the slide does not fully close to prevent a possible out of

battery firing. If this happens, unload the firearm as described in this manual on pages 31-34 and examine the round that was in the chamber and check the chamber to ensure that there are no obstructions or debris in it.

OPERATION

Clearing a Malfunction (Jam)

All auto-loading firearms may occasionally experience a malfunction (jam) related to the feeding of ammunition. If a cartridge jams do not attempt to force it into the chamber. Carefully remove it by following instructions on clearing a malfunction (jam) on page 36. Most malfunctions are caused by improper ammunition, an improper grip on the firearm when shooting, improper lubrication or a damaged magazine. To help minimize the chance of malfunctions (jams), regularly perform preventative maintenance on your firearm pursuant to the instructions in this manual. If you experienced a malfunction (jam) while using a new brand, type or lot of ammunition, try firing another type of ammunition to determine whether the ammunition was the source of the malfunction (jam).

WARNING

Do not use a metal tool to attempt to remove an unfired cartridge because it could ignite the primer and fire or rupture into fragments out of the ejection port with sufficient force that could cause death, serious injury or property damage.

WARNING

If a bullet is in the bore or lodged in the barrel, do not attempt to shoot it out by using another cartridge, by blowing it out with a blank or with a cartridge from which the bullet has been removed. Such actions can generate excessive pressure that could cause death, serious injury or property damage.

WARNING

Wear eye protection while attempting to clear a malfunction (jam). (See page 36).

▲WARNING

In case of a failure to fire, continue to hold your firearm pointed towards the target for at least 30 seconds. If after 30 seconds, the round still does not fire, a hangfire (slow ignition) may possibly be the cause. If the round has not fired after 30 seconds, remove the magazine as instructed in this manual on pages 31-34, clear the firearm while keeping the muzzle pointed in a safe direction and the ejection port turned away from your face, eyes and other body parts, and examine the ejected, unfired cartridge. If the indent from the firing pin is off center, light or absent, take the firearm to a competent gunsmith or contact Kimber to arrange to have it examined by Kimber. If the firing pin indentation on the primer appears normal (compared to similar previously fired cartridges) the cartridge may be defective. Separate the cartridge from other live ammunition and empty cases, reload your firearm and resume firing.

To clear a malfunction (jam), complete the following steps:

1. Always keep the muzzle pointed in a safe direction and your fingers placed outside the trigger guard and away from the trigger.
2. Remove the magazine.
3. Lock the slide open with the slide stop before attempting to clear a jam (drawing the slide fully to the rear may bring the jammed cartridge along).
4. If the cartridge can easily be removed with a wood or brass dowel (using hand pressure only; never “hammer” a jammed cartridge) clean any unburned powder grains from the bore, chamber and mechanism before resuming shooting. If the cartridge cannot be dislodged without force, take the firearm to a professional gunsmith or contact Kimber Customer Service.

OPERATION

Disassembly (field stripping) & Assembly

▲WARNING

Make certain that the firearm is unloaded (magazine removed and chamber empty) before beginning disassembly.

▲WARNING

Exercise great caution as the recoil spring is under tension and can fly out with enough force to cause serious injury, property damage or loss. Wear eye protection while disassembling and assembling (see page 13).

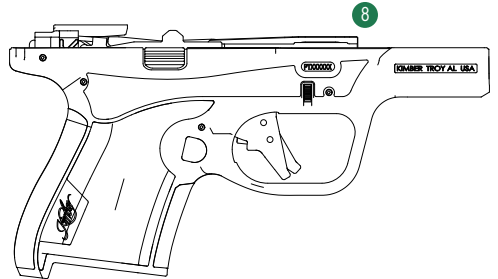
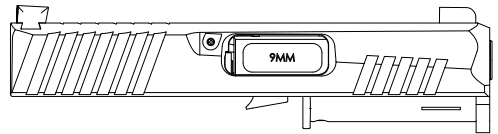
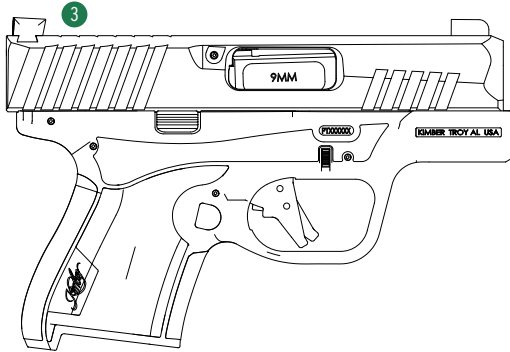
NOTE

Pulling the trigger is required for disassembly of the R7 Mako.



Disassembly (field stripping)

1. Keeping the firearm pointed in a safe direction (a safe direction is one in which no one can possibly be injured in the event of an unintentional discharge), unload the firearm



- (see pages 31-34) and visually inspect that the magazine well and chamber are empty.
2. Remove the empty magazine by placing your support hand under the grip. With the thumb of your shooting hand, press the magazine release button located on either side of the frame behind the trigger. This will allow the magazine to fall free from the magazine well.

3. Using your dominant hand, grip the slide and frame and pull the slide rearward 1/4 inch until the slide is partially out of battery. Hold the slide in this position.
4. Using your support hand, locate the pull-down tab visible on both sides of the frame and grasp them with your thumb and forefinger and pull the tab downward.

5. While pulling the tabs down allow the slide to go forward while maintaining the downward hold on the pull-down tabs.
6. Keeping the firearm pointed in a safe direction (a safe direction is one in which no one can possibly be injured in the event of an unintentional discharge) use your dominant hand and pull the trigger. This will disengage the striker from the trigger bar sear surface.
7. Remove the fingers of your support hand from the pulldown tabs and push the slide forward 1/4 of an inch.
8. Lift the slide straight up off of the rails.
9. Remove the recoil spring assembly by pushing on the rear of the recoil spring guide rod towards the muzzle and lifting slightly. Then pull the recoil spring assembly back and out toward the rear of the slide.
10. Remove the barrel from the slide by first lifting, then rocking the barrel to the rear

out and away from the slide. The firearm is now disassembled. No further disassembly is required for general cleaning.

⚠ WARNING

Do not disassemble your firearm beyond field stripping outlined in this manual. Do not manipulate any internal components beyond what you are instructed to do in this manual. Failure to follow this WARNING may damage or affect the reliability, safety or performance of your firearm, and such failure will create a potential risk of death, serious injury or property damage to you or others, and will void the warranty.

⚠ WARNING

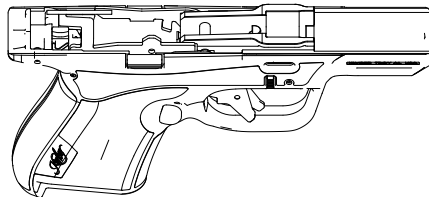
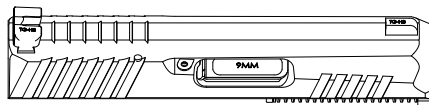
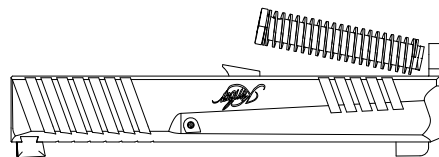
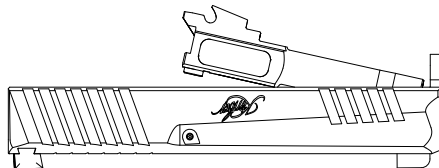
Do not alter, modify or replace any of the parts of your firearm unless this work is performed by a qualified gunsmith using genuine Kimber parts or by Kimber. Failure to abide by this WARNING may damage or affect the reliability, safety or performance

OPERATION

of your firearm, and such failure will void the warranty and create a potential risk of serious injury or death to you or others.

Assembly from field stripped condition

1. Take the slide in one hand with the underside of the slide facing upward.
2. Take the barrel with the cam lug facing upward and gently place the barrel down and into the slide.
3. Insert the recoil spring assembly into the slide (muzzle end), and tip into the notch on the barrel lug. Make sure it is properly centered.
4. Locate the slide rails on the frame assembly
5. Locate the corresponding notches in the slide rails and place the slide assembly on to the frame rails.
6. Move the slide rearward until the slide is 1/2 inch beyond the back of the frame and then release the slide.



7. Check to make sure the take down pull tabs are in the upward position.
8. Pull the slide to the rear and release it allowing it to move forward ensuring the slide returns to battery. Check all functionality of the firearm any time cleaning or maintenance is performed. See pages 46-50 regarding maintenance of this firearm.

Red Dot System (Optic Ready and Optic Installed models)

WARNING

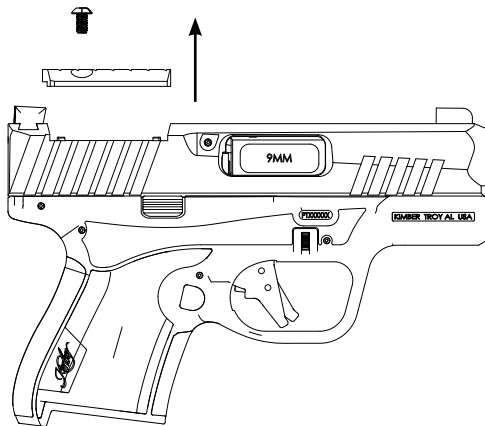
Ensure the pistol is unloaded following the procedure outlined on pages (31-34).

NOTE

Optic Cover Plate and Electro-Optic removal is not necessary for cleaning or user maintenance.

Optic Cover Plate Removal

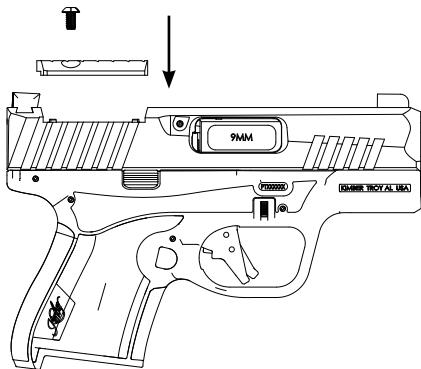
1. Using a hex driver, loosen and remove the two hex screws located on top of the slide.
2. Lift the optic cover plate up and out of the slide then place the cover and hardware in the case for safe keeping.



OPERATION

Optic Cover Plate Installation

1. Orient the Optic Cover Plate with the semi-circular tab to the rear of the slide.
2. Lower the plate on to the slide while keeping the plate level, then seat then cover.
3. Using a hex driver, install the provided hex screws until hand tight.

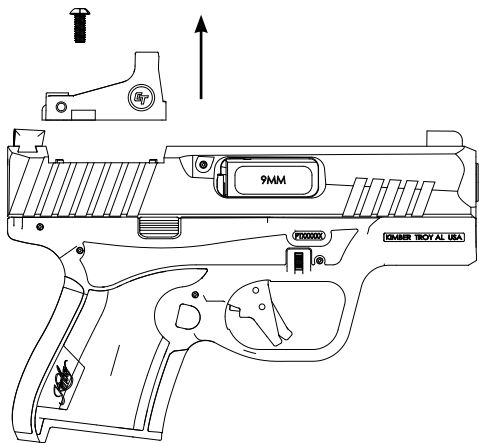


Optic Removal (OI only)

NOTE

Always follow the optic manufacturer recommended assembly and disassembly process.

1. Using a hex driver, loosen and remove the two hex screws located on top of the optic.
2. Remove the optic from the slide by lifting it straight up.
3. Install the optic cover plate following the procedure on page 44.



Tips for improved shooting

Point of aim

Kimber fixed sight pistols are regulated to shoot point of aim at 25 yards.

Sight adjustment

⚠️WARNING

Make sure that the firearm is unloaded (see pages 31-34) before adjusting the sights.

Windage

R7 Mako pistols sights are adjustable for windage only. Using an appropriate sight pusher, move the rear sight in the direction you wish the bullet impact to move.

CARE

Preventative maintenance

Kimber firearms should be cleaned after each use or exposure to the elements. Even when not in use, Kimber firearms should be cleaned and lubricated every six months to protect their appearance and ensure readiness.

WARNING

Always ensure that your firearm is unloaded (magazine removed and chamber empty) before cleaning, and follow the rules of safe firearm handling and instructions in this manual.

WARNING

Wear appropriate eye protection (see page 13) when cleaning and lubricating your firearm.

WARNING

Do not oil cartridges or spray lubricants, preservatives or cleaners on cartridges or where excess spray may come into contact with cartridges. Lubricants and other foreign matter on cartridges may cause potentially dangerous ammunition malfunctions. Oil and solvent can penetrate cartridge primers and can cause misfires. To help reduce the chance of this happening, do not allow oil or solvent to remain in the firing pin channel, on the breech face or inside the magazine.

WARNING

Cleaning firearms or handling ammunition may result in exposure to lead and other substances known to cause birth defects, reproductive harm, cancer and other serious physical injury. Have adequate ventilation at all times. Wash hands thoroughly after exposure.

NOTICE

Ultrasonic cleaning is not recommended. Damage to the finish or parts cleaned using an ultrasonic cleaner are not covered under warranty.

Cleaning

1. Keeping the firearm pointed in a safe direction (a safe direction is one in which no one can possibly be injured in the event of an unintentional discharge) and fingers placed outside the trigger guard and away from the trigger, unload the firearm as instructed in this manual (see pages 31-34).
2. Disassemble (field strip) the firearm as instructed in this manual (see pages 38-43).
3. Always insert a cleaning rod from the chamber end of the barrel.
4. Run a patch wet with bore cleaning solvent through the barrel and let the solution

soak a few minutes. Always read and follow the manufacturer's directions for the bore cleaner being used.

5. Run a dry patch through to remove loose debris/deposits.
6. Run a wet bore brush through the chamber end of the barrel and out the muzzle, making several passes.
7. Run a dry patch to remove loose debris.
8. Repeat steps 6 and 7 a few times until the patch comes out clean.
9. Lightly oil the barrel.

NOTE

Run a dry patch through the barrel before firing to remove oil.

10. Wipe off all dirt on all bearing surfaces on the slide and frame.
11. Clean the breech face and all parts (a toothbrush or similar nylon brush works well).

CARE

12. Follow lubrication directions in this manual before reassembling.
13. Do not expose night sights to an ultrasonic cleaning environment.

Lubrication

WARNING

Do not place lubricant into the firing pin channel as oil there may slow the movement of the firing pin, causing a misfire.

1. Use a premium lubrication product such as Shooter's Choice FP-10 or similar quality oil. Grease is not recommended. If the lubrication product contains Teflon, shake well before using as the Teflon settles.

NOTE

For a complete part list and diagram, please see page 54.

2. Lubricate the following parts:
 - a. Slide and frame rails; 3 drops on each side
 - b. Disconnecter on top of frame; 1 drop
 - c. Barrel hood; 2 drops spread across surface
 - d. Barrel locking lug inside slide and on barrel; 1 drop each
 - e. Outside of barrel; 3 drops spread across surface
3. Assemble the firearm as instructed in this manual (see pages 42-43). Move the slide back and forth 5-6 times, dry fire and then wipe off any excess lubrication.
4. If the firearm has been stored with oil in the barrel and chamber, push a dry patch through the barrel before firing.
5. The key to proper firearm lubrication is moderation. Too little and the firearm

may not function properly or be subject to premature wear. Too much and there is the risk of attracting dirt and debris to the bearing surfaces causing premature wear and potential functioning problems. All metal parts including stainless steel should be lightly lubricated.

6. Silicone-impregnated cloths are also recommended as an option after handling.

NOTE

In high-humidity, damp or salty areas, a premium rust preventative such as Shooter's Choice Rust Prevent should also be used.

spring more frequently to maintain proper function.

NOTICE

Always slide the recoil spring down the guide rod until seated against the base of the guide rod. For recoil springs that are round wire and have one open and one closed end, always install the closed end of the recoil spring on the guide rod first so the open end of the spring is toward the muzzle. Installing the closed end toward the muzzle may result in guide rod damage and potentially reduce performance.

Recoil spring replacement schedule

Recoil springs are critical to the proper functioning of your Kimber R7 Mako. Kimber recommends that you replace the recoil spring after every 10,000 rounds. If you use +P ammunition you may need to replace the

CARE

Long-term storage

WARNING

Always store this firearm with the chamber empty and the magazine unloaded. Failure to do so could result in an unintentional discharge.

WARNING

Keep out of reach of children. For increased safety, firearms should be stored unloaded in a location that is secure and inaccessible to children and any other unauthorized person, with ammunition locked securely in a different location.

1. Follow unloading, cleaning and lubrication instructions from this manual.
2. Apply a premium rust preventative product such as Shooter's Choice Rust Prevent and follow the manufacturer's instructions for proper application.
3. Select a safe and secure location for storage, one that follows the instructions and recommendations of this manual and all applicable laws, including but not limited to use of the cable lock provided with this firearm (see page 11 for instructions regarding the cable lock). If possible, do not store the firearm in the factory-supplied black plastic case, other gun case or holster as moisture may collect and cause damage.
4. If you plan on storing the firearm for extended periods of time between uses, clean and lubricate the firearm per instructions in this manual on pages 46-50 every six months.

SUPPORT

Warranty

This “Limited Warranty” has been drafted to comply with the Magnuson-Moss Warranty Federal Trade Commission Improvement Act which is effective for goods manufactured on or after December 31, 1995.

Kimber Mfg., Inc. firearms are warranted to be free from defects in material and workmanship for one (1) year after the date of original new firearm retail purchase by the initial consumer. Except as may otherwise be provided or excluded in this limited warranty, the Manufacturer agrees to correct any such defects in materials and workmanship by repair or replacement (with the same or comparable-quality model) of the firearm, without charge, if returned prepaid in accordance with instructions regarding returns in this manual and with a copy of the bill of sale.

Kimber Mfg., Inc. assumes no responsibility for product malfunction or for physical injury or property damage resulting in whole or in part from: failure to follow the instructions in this

manual; the firearm is disassembled beyond the instructions in this manual; criminal or negligent use of the product; improper or careless handling; unauthorized modifications; use of defective, improper or hand-loaded, reloaded, remanufactured ammunition or ammunition of a different caliber than the firearm is chambered for; customer misuse, abuse, neglect or improper maintenance of the product or other influences beyond Kimber Mfg., Inc.'s control. This warranty does not apply to normal wear of any parts, including metal, wood, plastic, rubber or the surface finish of any material, or if unauthorized repair and/or alteration has been performed. This warranty does not cover repairs related to unreasonable use, corrosion, damaged or shopworn display firearms, firearms or firearm parts damaged by an obstructed bore or barrel, or firearms damaged in return shipment due to improper packing and handling.

The implied warranties of merchantability and fitness for a particular purpose are expressly

SUPPORT

disclaimed. All disclaimers and limitations of liability shall still apply even if the limited remedy of repair or replacement fails of its essential purpose.

There are no warranties which extend beyond the description on the face hereof. The sole and exclusive remedy pursuant to this warranty is the repair or replacement of your firearm, at the sole discretion of Kimber.

Any action against Kimber based on an alleged breach of this limited warranty must be brought within one (1) year of the claimed breach.

Kimber Mfg., Inc. reserves the right to inspect any product before making any adjustment covered by this warranty.

Under no circumstances shall Kimber Mfg., Inc. be liable for incidental or consequential damages with respect to economic loss or injury or property damage whether the result of breach of express or implied warranty.

Some states do not allow the exclusion of consequential or incidental damages, so the limitation may not apply. This warranty gives only the original retail purchaser specific legal rights. Other rights may also be available which may vary from state to state.

The terms of the warranty cannot be changed except in writing by an officer of Kimber Mfg., Inc.

Kimber's factory in Troy, Alabama is the only authorized repair location.

Obtaining Kimber replacement parts

⚠️ WARNING

Only use Kimber replacement parts. Use of aftermarket parts can create unsafe conditions and will void the warranty.

⚠️ WARNING

This product was designed to function properly in its original condition. Do not alter any part or add or substitute parts or accessories not made or authorized for use by Kimber. Any such alteration could render the firearm unsafe, and will void the warranty.

⚠️ WARNING

Do not alter, modify or replace any of the parts of your firearm unless this work is performed by a qualified gunsmith using genuine Kimber parts or by Kimber. Failure to abide by this WARNING may damage or affect the reliability, safety or performance of your firearm, and such failure will

create a potential risk of death, serious injury or property damage, and void the warranty.

Kimber replacement parts are available at Kimber Master Dealers or at <http://store.kimberamerica.com>.

Custom Shop treatments

The Kimber Custom Shop™ can quickly and professionally modify or personalize any Kimber pistol. Services include installation of night sights, custom finishes, part replacement, checkering, melts, custom parts and tuning. For complete information, visit kimberamerica.com.

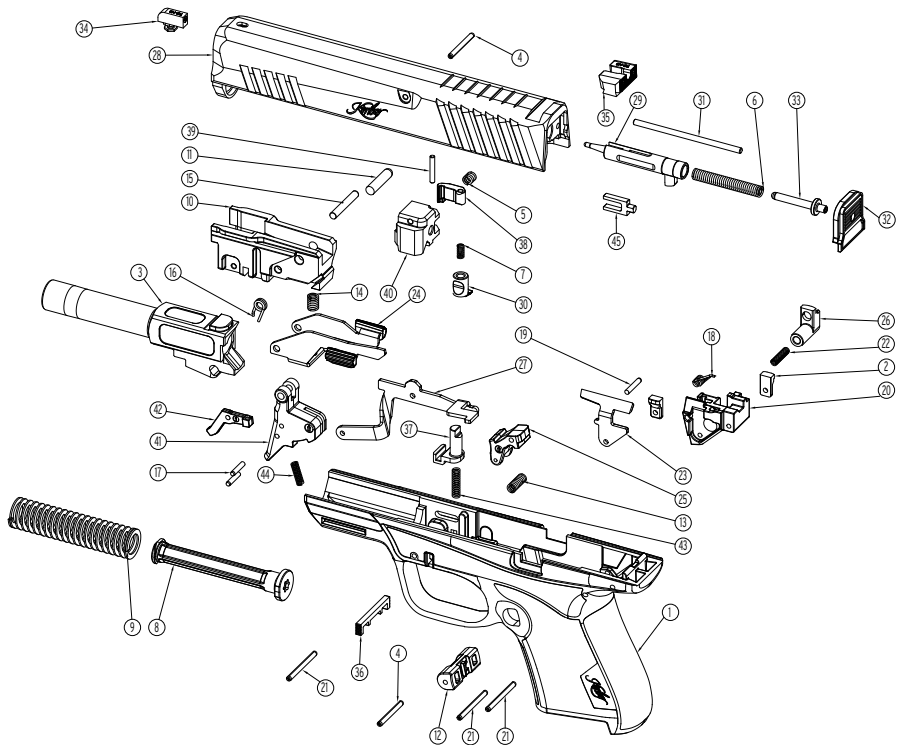
Customer Service

Kimber Customer Service (888) 243-4522
customerservice@kimberamerica.com

SUPPORT

Diagram & Parts List R7 Mako models

1. GRIP FRAME, NYLON
2. GUIDE BRACKET
3. BARREL
4. HEAVY SPIROL® PIN
5. EXTRACTOR SPRING
6. FIRING PIN SPRING
7. FIRING PIN SAFETY SPRING
8. RECOIL ROD, NYLON
9. RECOIL SPRING
10. CENTRAL BLOCK
11. BREECH PIN
12. MAGAZINE CATCH
13. MAGAZINE CATCH SPRING
14. TAKEDOWN LEVER SPRING
15. TRIGGER AXLE
16. TRIGGER SPRING
17. TRIGGER BAR AXLE
18. TRIGGER BAR SPRING
19. TRIGGER BAR SPRING AXLE
20. DISCONNECTOR INSERT, NYLON
21. HEAVY SPIROL® PIN
22. DISCONNECTOR SPRING
23. EJECTOR
24. SLIDE STOP LEVER ASSEMBLY
25. SAFETY INSERT, NYLON, SOFT
26. DISCONNECTOR
27. TRIGGER BAR
28. SLIDE
29. FIRING PIN, CA, COAXIAL, MACHINE
30. FIRING PIN SAFETY
31. DOWEL PIN
32. SLIDE CAP, COAXIAL, GLASS FILL NYLON
33. SLIDE CAP/SPRING GUIDE PIN
34. FRONT SIGHT
35. REAR SIGHT
36. TAKEDOWN PULL TAB
37. TAKEDOWN PIN
38. EXTRACTOR, CA, PIVOT
39. DOWEL PIN, EXTRACTOR
40. BREECH BLOCK, PIVOT EXTRACTOR
41. TRIGGER, NYLON
42. TRIGGER SAFETY, NYLON
43. TAKEDOWN SPRING
44. TRIGGER SAFETY SPRING
45. FIRING PIN SPRING LIMIT STOP



SUPPORT

Returning a firearm

General return guidelines

Before making any return, contact Kimber Customer Service at (888) 243-4522 to obtain an RMA (Return Merchandise Authorization) number. All returns must be accompanied by an RMA number. Returns arriving without a legible RMA number on the carton will be refused. Kimber assumes no responsibility for any goods that are lost or stolen in transit. If you would like to insure the value of the product being returned, you must arrange and pay for such insurance separately.

Once an RMA number has been assigned, please carefully review the following instructions. Please note that in addition to these general guidelines, shipments must comply with all applicable federal, state and local laws and regulations, as well as the requirements of the carrier. Please also note that these instructions may be updated by Kimber without notice. In such event, upon receiving an

RMA number, Kimber will provide you with the then current instructions.

Firearm returns

1. Remove all ammunition from the firearm and firearm case.
2. Pack the firearm in its original case and place it inside a plain cardboard carton. If the original case is not available, please use another unlocked, padded container suitable to withstand rough handling. Use additional packing materials as needed.
3. Secure magazines and other loose parts under the foam to help prevent damage during shipment.
4. Write the RMA number clearly on each side of the carton in large print.
5. Schedule a pickup through UPS or bring the boxed firearm to the customer counter at the UPS Distribution Center. Ship in

accordance with all UPS policies and procedures.

6. Retain a copy of the serial number, RMA number and shipping receipt for future reference.
7. Address the return to: Product Services Department, 200 Industrial Blvd., Troy, AL 36081.

CAUTIONS:

- Firearms must be unloaded.
- Do not attempt to return a firearm without first obtaining an RMA number. Firearms arriving without a legible RMA number on the carton will be refused.
- Do not place ammunition in the carton with the firearm. Firearms and ammunition must be shipped separately.
- Do not disassemble the firearm prior to shipment.

- Do not risk damage to a firearm by leaving magazines or other loose parts unsecured in the return carton.
- Do not attempt to ship a firearm through the U.S. Postal Service or a UPS store. Do not leave a firearm at a UPS drop box.
- Kimber assumes no responsibility for damaged goods resulting from improper shipping or insufficient packaging.

Sight, slide or other non-firearm product returns

Sight or slide (only) or other non-firearm product returns may be shipped through any carrier (subject to any such carrier's applicable policies and procedures). Kimber recommends carriers with tracking capabilities.

Do not attempt to return any product without an RMA number. Contact Kimber Customer Service at (888) 243-4522 to obtain an RMA number.

SUPPORT

SAFETY FIRST

1. Always keep the firearm pointed in a safe direction.
2. Always keep your finger off the trigger until ready to shoot
3. Always keep the firearm unloaded until ready to use.
4. Always treat the firearm as if it is loaded and ready to discharge.
5. Always follow rules of safe firearm handling.
6. Read and understand this manual in its entirety prior to using this firearm.
7. Kimber strongly recommends that every person receive firearms safety training prior to using this or any other firearm.

For firearms safety classes near you, contact your local firearms dealer, shooting range, police department or the National Rifle Association (NRA) at 1-703-267-1000 or 1-800-672-3888, or visit their website at www.nra.org/home.



NOTES

NOTES

Kimber MFG., Inc.
200 Industrial Blvd,
Troy, AL 36081
(888) 243-4522
kimberamerica.com



© 2020 Kimber Mfg., Inc.
Kimber is a registered trademark of Kimber Mfg, Inc. All rights reserved.

Kimber[®]

R7 MAKO Manual PN 1700150



8/20 #1700150-REVB